



US00D848317S

(12) **United States Design Patent**
Sugie et al.

(10) **Patent No.:** **US D848,317 S**
(45) **Date of Patent:** **** May 14, 2019**

(54) **FOUR WHEEL ELECTRIC WHEELCHAIR**

D404,693 S * 1/1999 Schaffner D12/131
6,786,496 B2 9/2004 Ward et al.
D604,208 S * 11/2009 Perk D12/131
(Continued)

(71) Applicant: **WHILL INC.**, Yokohama-Shi,
Kanagawa (JP)

(72) Inventors: **Satoshi Sugie**, Yokohama (JP); **Shu Kanno**, Yokohama (JP)

(73) Assignee: **WHILL INC.**, Yokohama-shi (JP)

(**) Term: **15 Years**

(21) Appl. No.: **35/504,152**

(22) Filed: **Jun. 9, 2017**

(80) **Hague Agreement Data**

Int. Filing Date: **Jun. 9, 2017**

Int. Reg. No.: **DM/097600**

Int. Reg. Date: **Jun. 9, 2017**

Int. Reg. Pub. Date: **Dec. 15, 2017**

(30) **Foreign Application Priority Data**

Dec. 9, 2016 (JP) 2016-026801

Dec. 9, 2016 (JP) 2016-026802

Dec. 9, 2016 (JP) 2016-026803

(51) **LOC (11) Cl.** **12-12**

(52) **U.S. Cl.**
USPC **D12/131**

(58) **Field of Classification Search**
USPC D12/131
CPC A61G 5/00-5/14
See application file for complete search history.

(56) **References Cited**

U.S. PATENT DOCUMENTS

4,770,432 A 9/1988 Wagner
5,028,065 A 7/1991 Danecker
5,335,741 A 8/1994 Rabinovitz et al.
5,669,619 A 9/1997 Kim
5,697,628 A 12/1997 Spear

FOREIGN PATENT DOCUMENTS

EM 002554741-0001 A 10/2014
JP 1446007 S 7/2012
(Continued)

OTHER PUBLICATIONS

U.S. Office Action dated Jun. 20, 2013, in connection with corresponding U.S. Appl. No. 29/424,943 (7 pgs.).
(Continued)

Primary Examiner — Michael A. Pratt
(74) *Attorney, Agent, or Firm* — Maier & Maier, PLLC

(57) **CLAIM**

The ornamental design for a four wheel electric wheelchair, as shown and described.

DESCRIPTION

2. Four wheel electric wheelchair

2.1 : Front

2.2 : Back

2.3 : Right

2.4 : Left

2.5 : Top

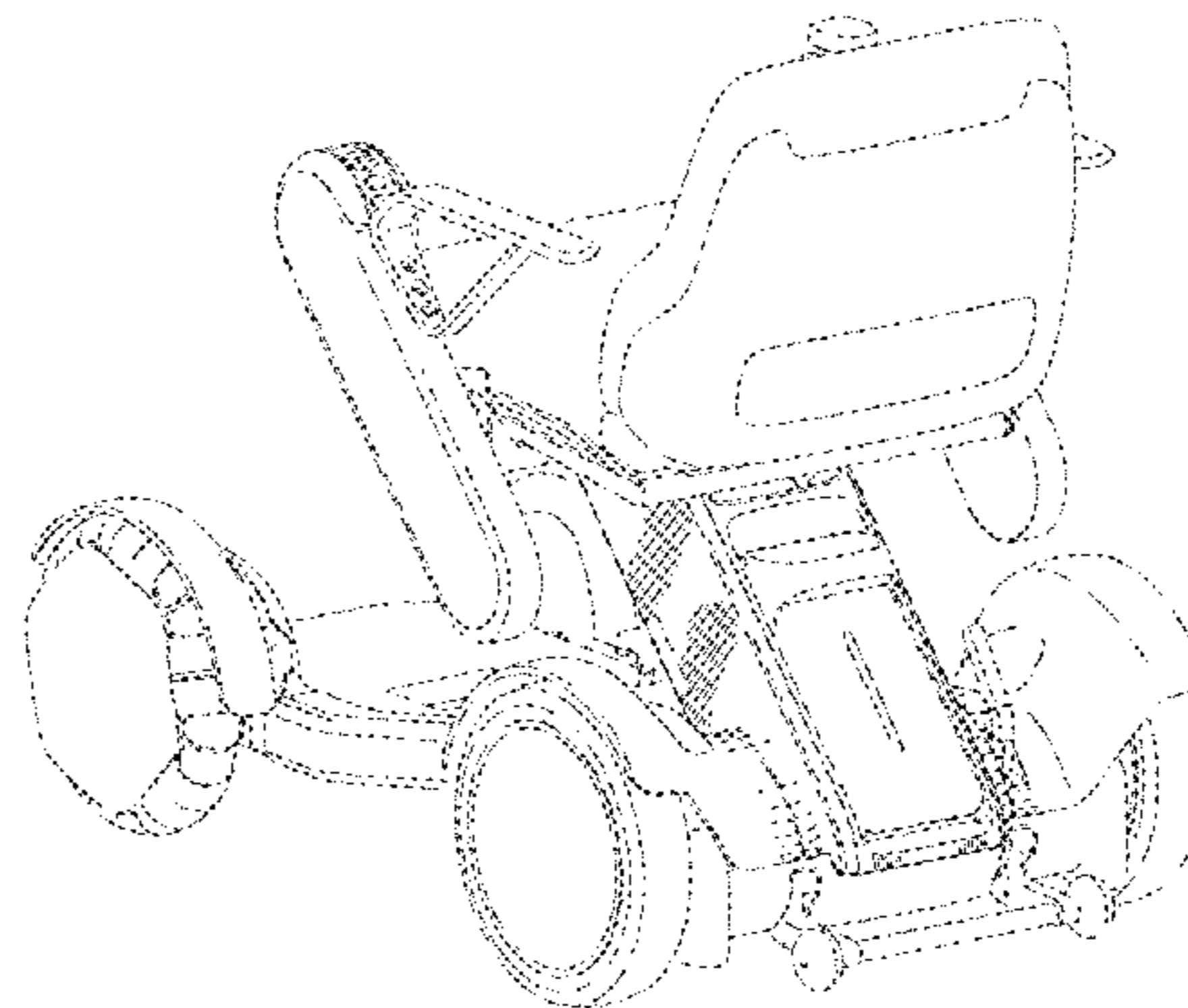
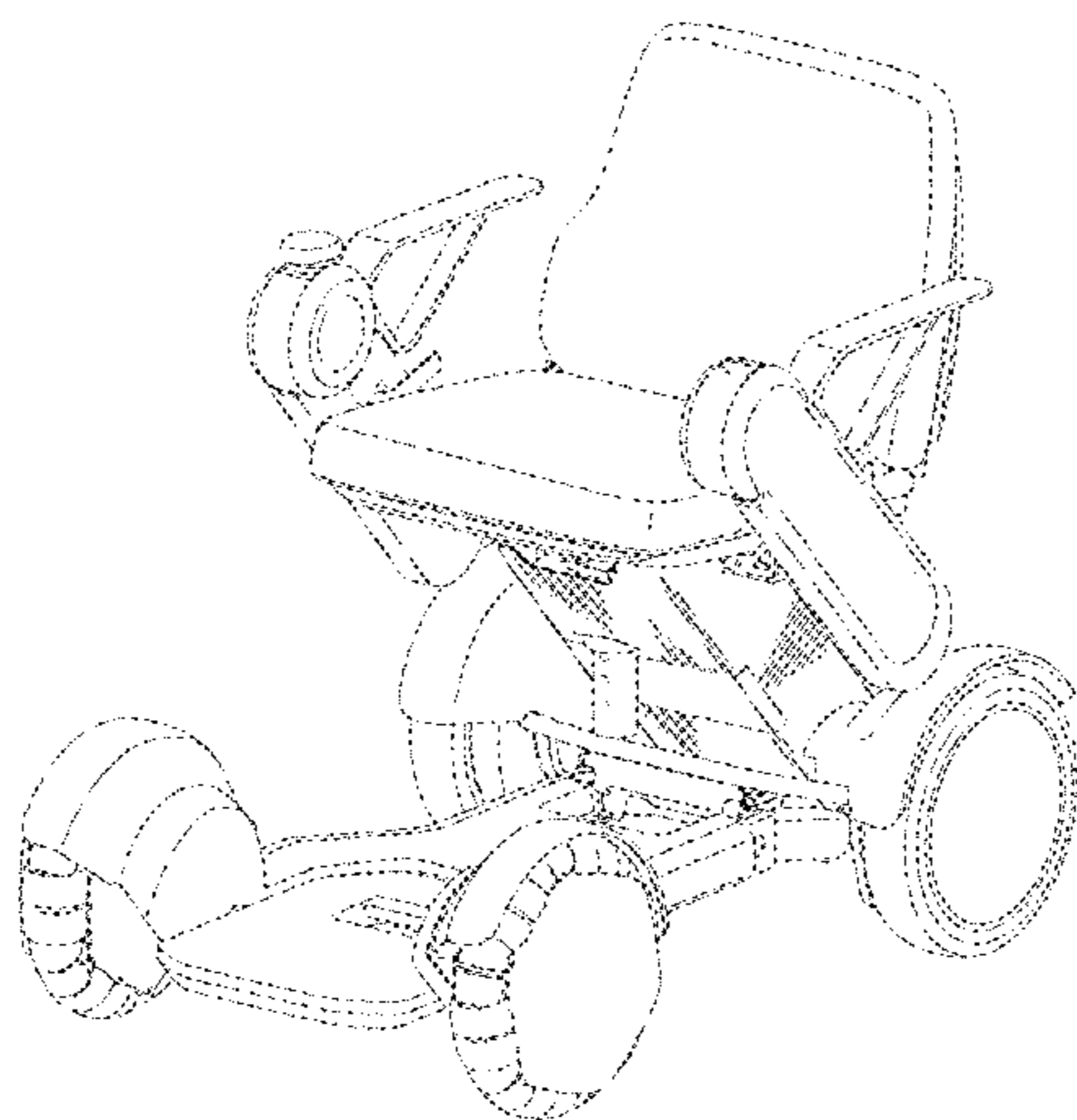
2.6 : Bottom

2.7 : Perspective

2.8 : Another perspective view

The article is a four wheel electric wheelchair which is driven by an electric motor and which one passenger ride by sitting on the seat; the broken lines are for the purpose of illustrating the unclaimed portions of the four wheel electric vehicle, which form no part of the claimed design; the shading indicated by thin lines are intended only to represent the three-dimensional shape of the surfaces of the design.

1 Claim, 8 Drawing Sheets



(56)

References Cited

U.S. PATENT DOCUMENTS

D673,083 S * 12/2012 Daff D12/133
D674,372 S 1/2013 Kelly et al.
D680,516 S 4/2013 Lee
8,973,935 B2 3/2015 Salvan
D730,250 S 5/2015 Lodato et al.
D745,441 S * 12/2015 Ohruh D12/131
D745,443 S * 12/2015 Van Olst D12/133
D769,775 S 10/2016 Sugie
D801,234 S * 10/2017 Elon D12/133
D811,279 S * 2/2018 McCullough D12/131

FOREIGN PATENT DOCUMENTS

JP 1471293 S 6/2013
JP 1471294 S 6/2013
JP 1502024 S 7/2014
JP 1502025 S 7/2014
JP 1523614 S 5/2015
JP 1527449 S 6/2015

OTHER PUBLICATIONS

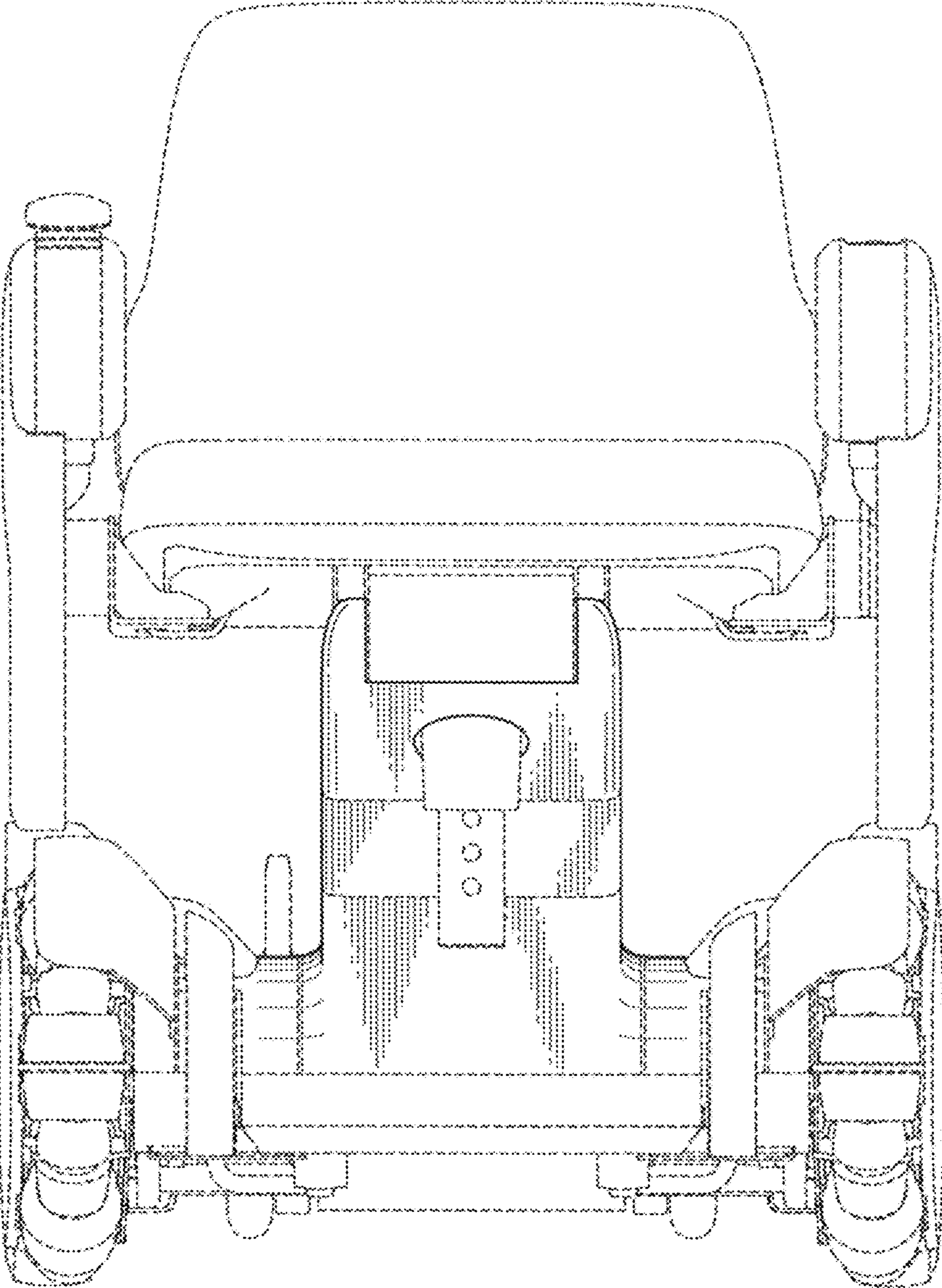
U.S. Office Action dated Sep. 24, 2015, in connection with corresponding U.S. Appl. No. 29/504,756 (8 pgs.).

Whill Model a Catalog, retrieved from the Internet: https://whill.jp/wp-content/themes/whill-jp/pdf/whill_model_a_catalog.pdf (8 pgs.). It is stated that all of the photos in the Catalog show the exterior design of the personal mobilities sold by Whill, Inc.

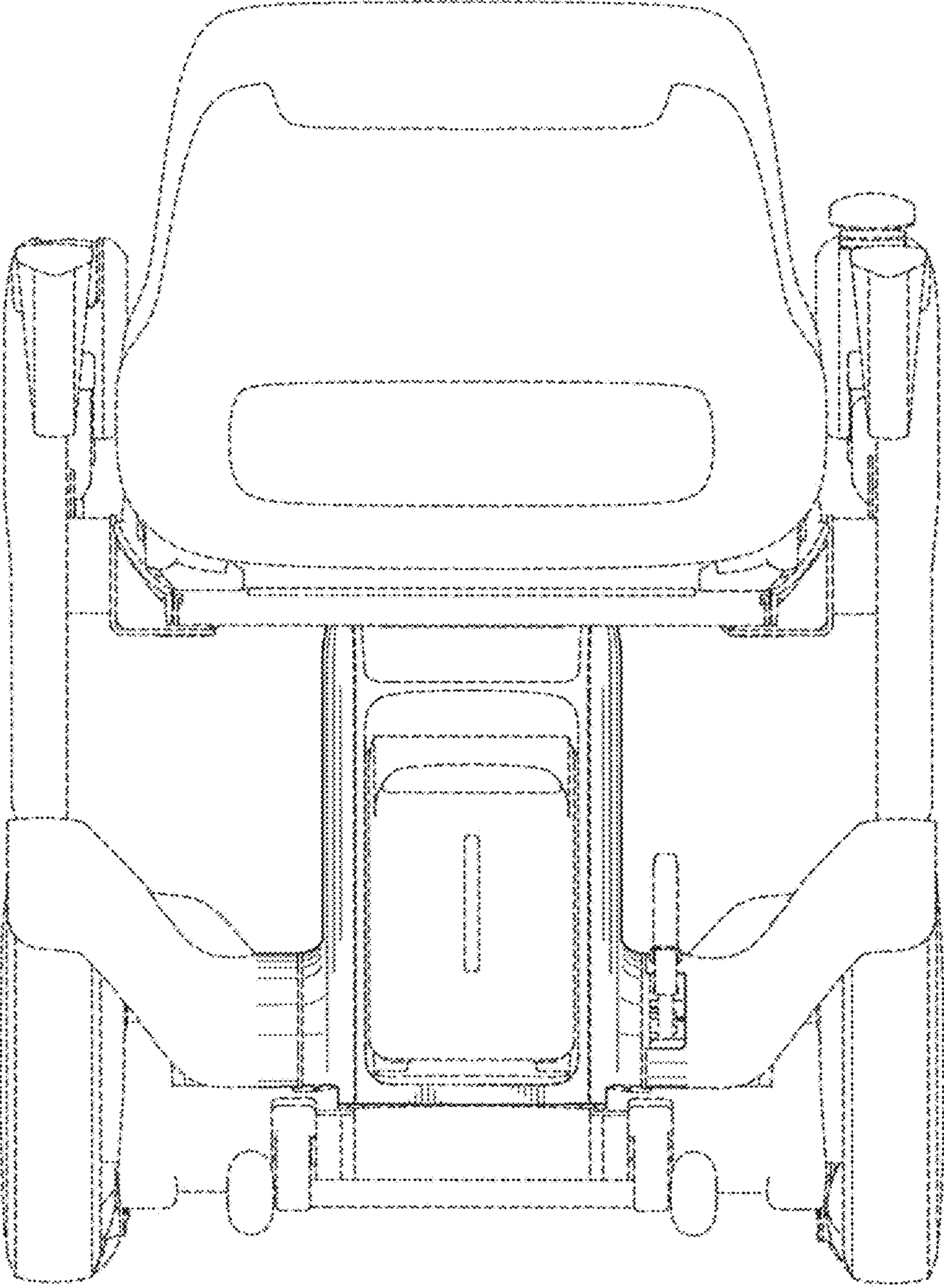
“Contract”, vol. 54, No. 1, 2013, p. 59 (2 pgs.). (Retrieved from the Internet: https://www.nxtbook.com/nxtbooks/nielsen/contract_20130102/index.php#/60).

* cited by examiner

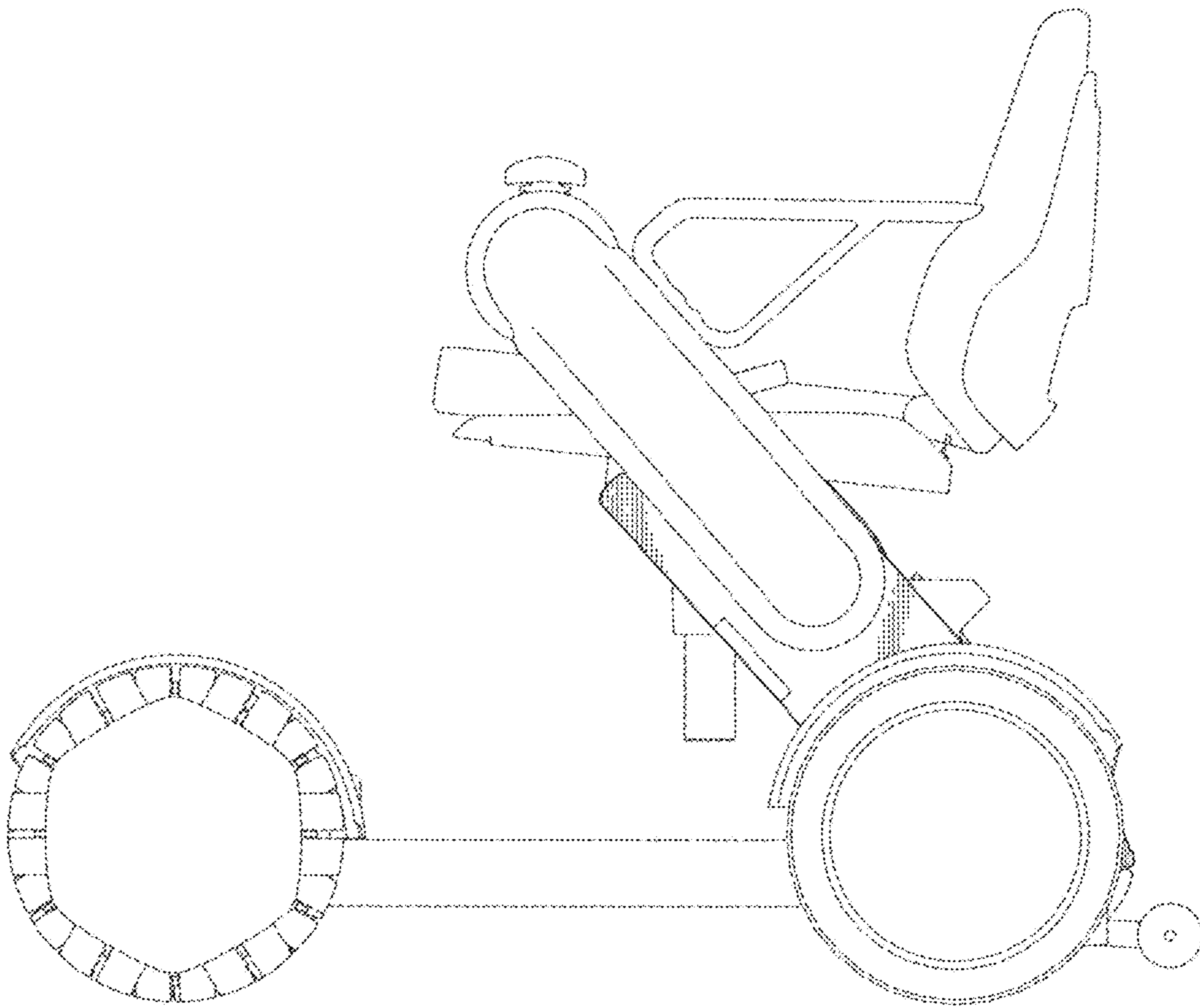
2.1



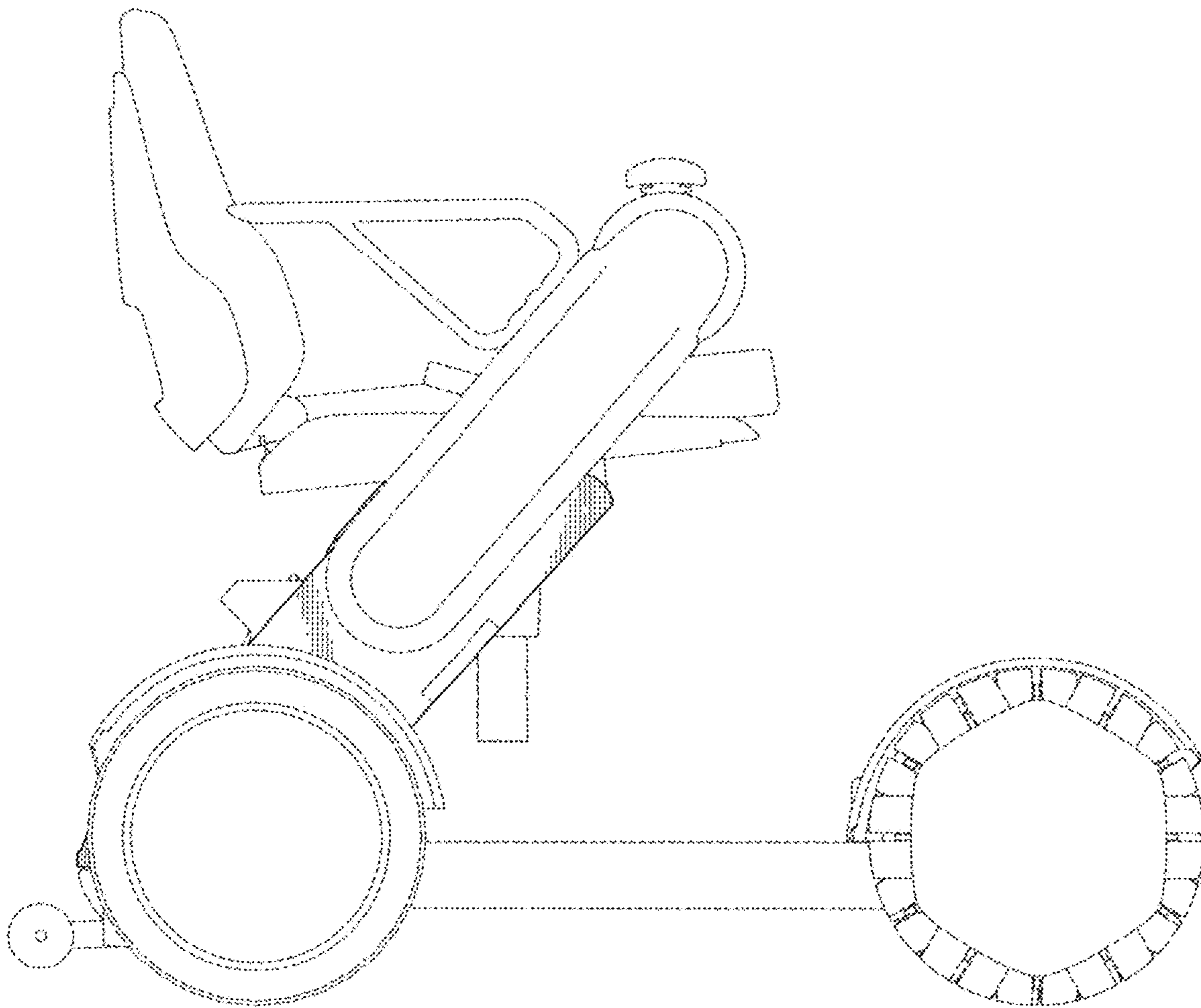
2.2



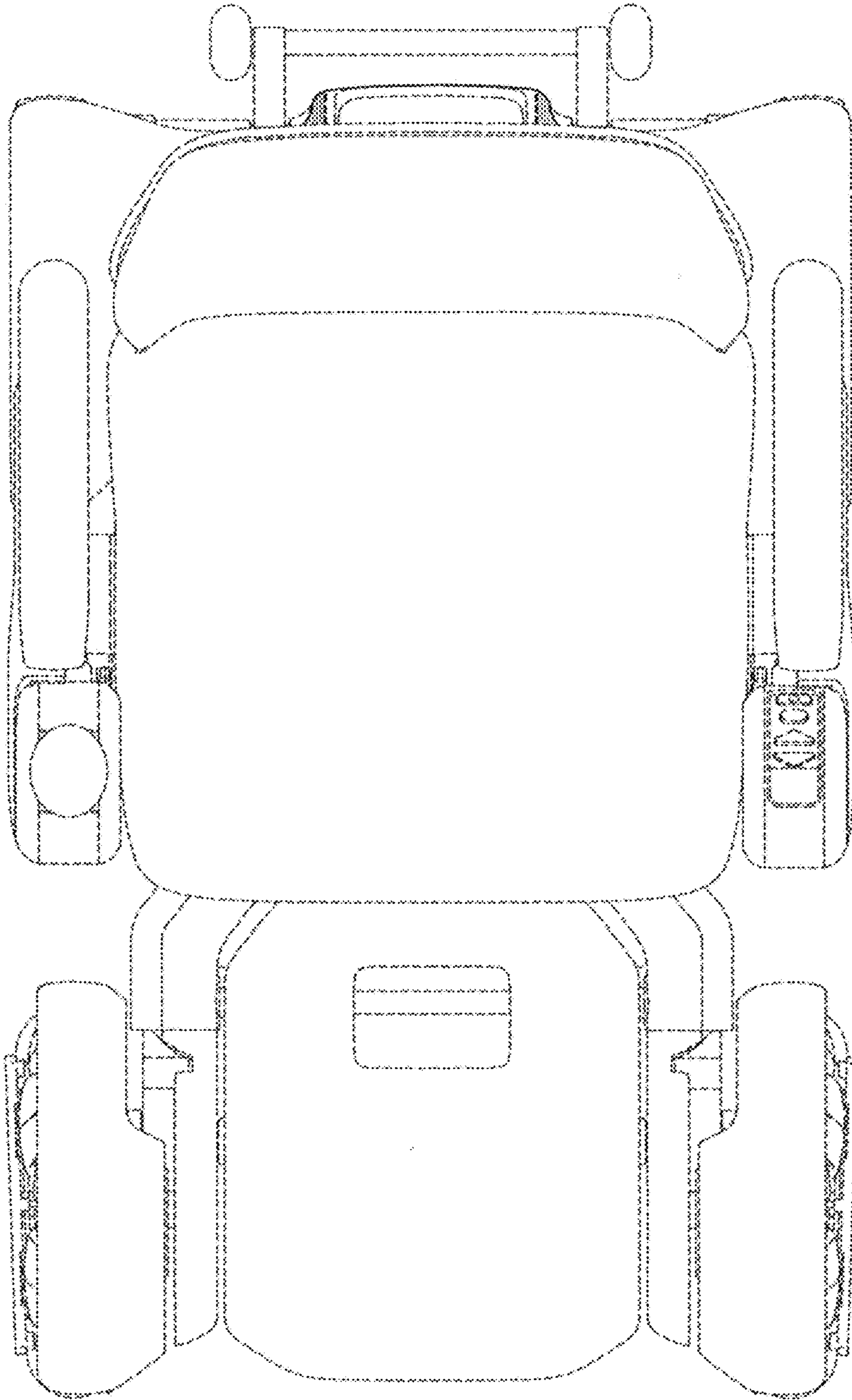
2.3



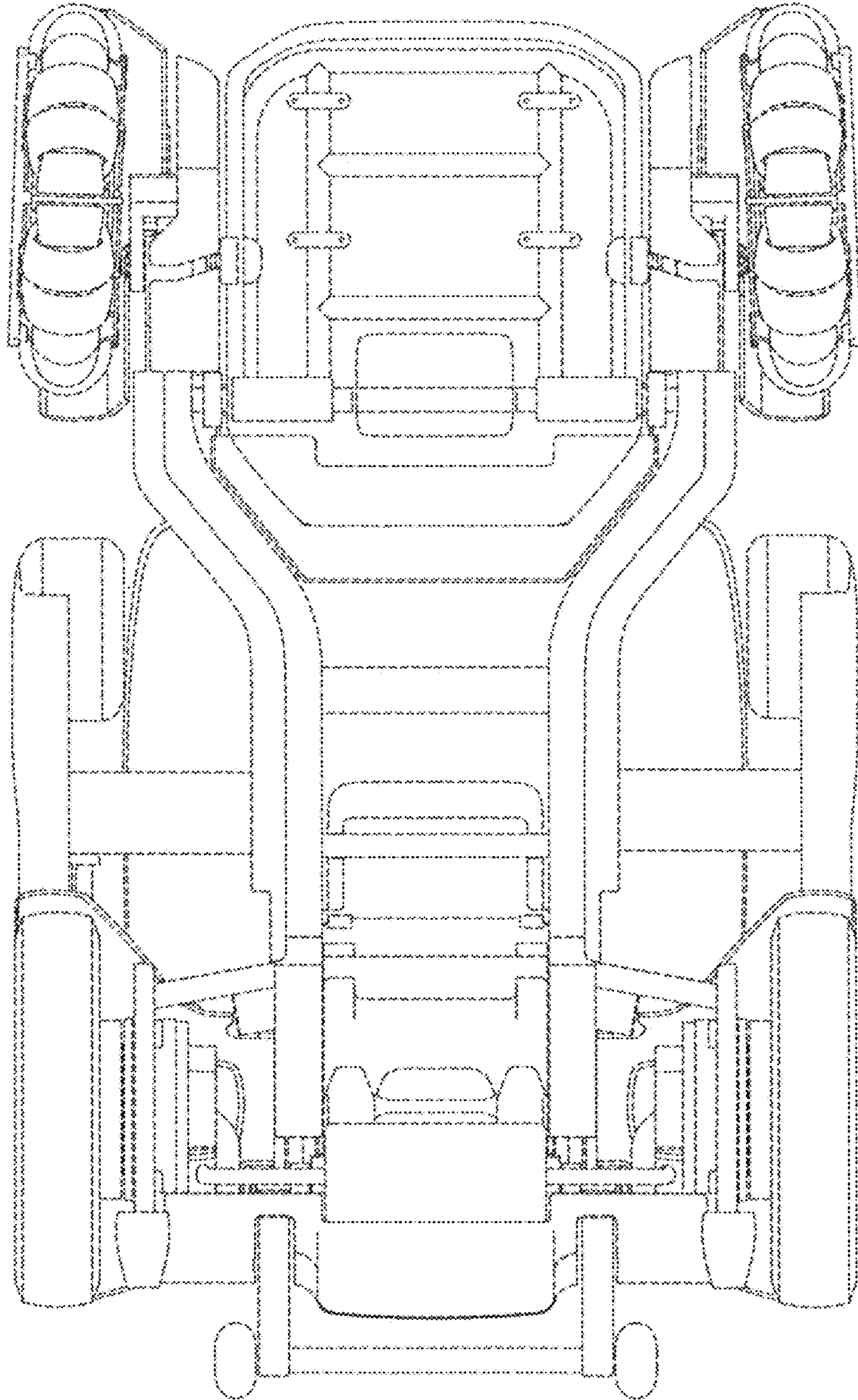
2.4



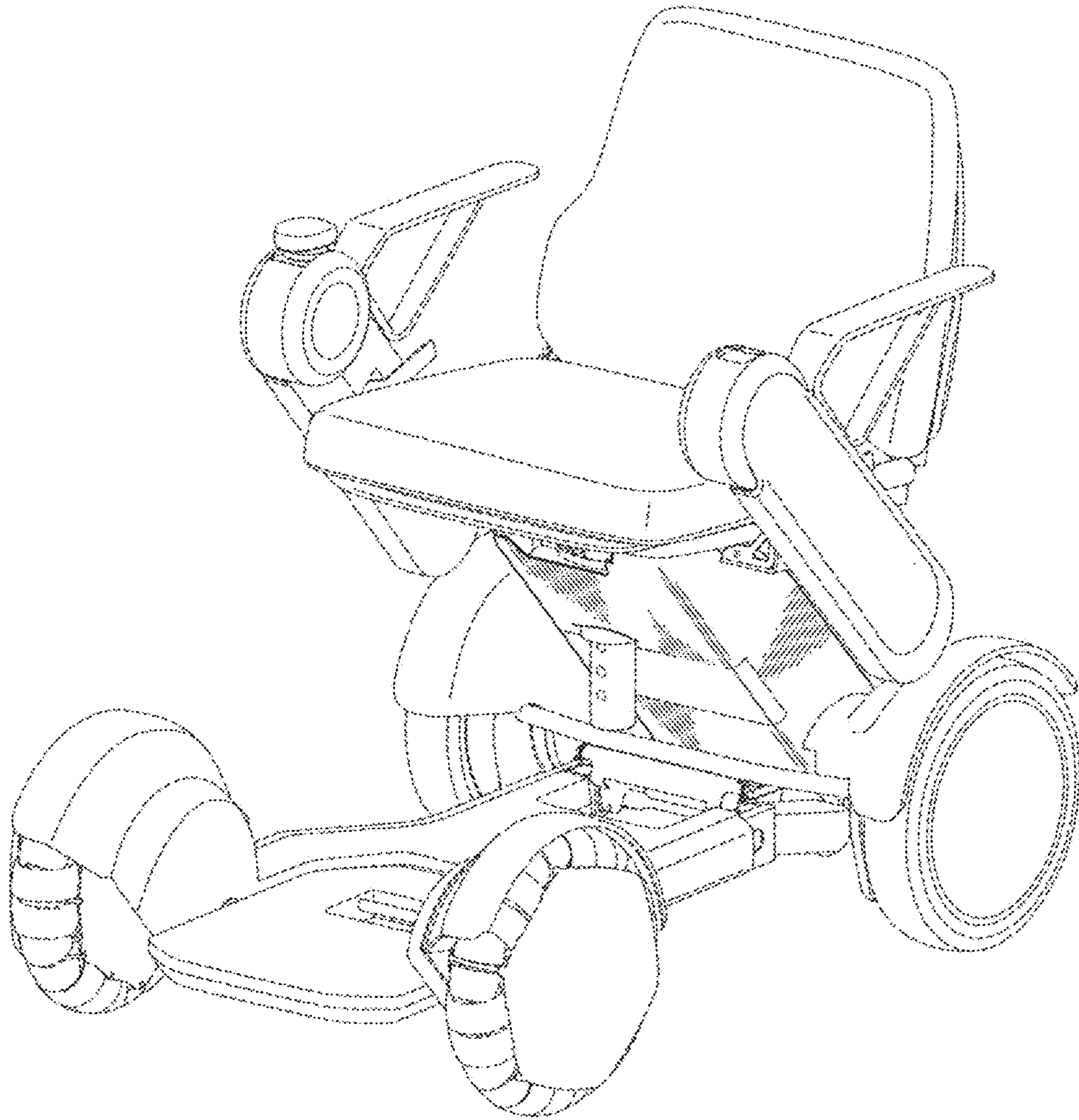
2.5



2.6



2.7



2.8

