



US00D848314S

(12) **United States Design Patent**  
**van der Haegen**

(10) **Patent No.:** **US D848,314 S**

(45) **Date of Patent:** **\*\* May 14, 2019**

(54) **VEHICLE, TOY REPLICA, AND/OR OTHER REPLICA**

(71) Applicant: **GM GLOBAL TECHNOLOGY OPERATIONS LLC**, Detroit, MI (US)

(72) Inventor: **Marc van der Haegen**, Mainz (DE)

(73) Assignee: **GM Global Technology Operations LLC**, Detroit, MI (US)

(\*\*) Term: **15 Years**

(21) Appl. No.: **29/607,556**

(22) Filed: **Jun. 14, 2017**

(30) **Foreign Application Priority Data**

Dec. 14, 2016 (EM) ..... 003 516 848

(51) **LOC (11) Cl.** ..... **12-08**

(52) **U.S. Cl.**  
USPC ..... **D12/91**

(58) **Field of Classification Search**  
USPC ..... D12/86, 90-92, 88; D21/421, 433, 434;  
296/181.1, 181.5

CPC ..... B62D 35/00; B62D 25/00; B62D 25/06;  
B62D 33/00

See application file for complete search history.

(56) **References Cited**

**U.S. PATENT DOCUMENTS**

D570,742 S	6/2008	Takagi et al.
D592,105 S	5/2009	Dean et al.
D597,447 S	8/2009	Folden
D600,595 S	9/2009	Nakamura et al.
D601,925 S	10/2009	O'Donnell
D603,755 S	11/2009	Peters
D604,203 S	11/2009	O'Donnell
D605,082 S	12/2009	Munson
D605,083 S	12/2009	Manoogian, II et al.

D605,977 S	12/2009	Zipfel et al.
D605,978 S	12/2009	Wolff et al.
D608,249 S	1/2010	Peters
D608,690 S	1/2010	Folden et al.
D608,691 S	1/2010	Zak, Jr. et al.
D609,608 S	2/2010	Boniface et al.
D611,387 S	3/2010	Thompson et al.
D611,879 S	3/2010	Kim et al.
D612,297 S	3/2010	Peters et al.
D613,645 S	4/2010	Song et al.
D615,458 S	5/2010	Thompson et al.
D618,595 S	6/2010	Ware et al.
D623,090 S	9/2010	Cox et al.
D627,262 S	11/2010	Ikeda et al.
D635,488 S	4/2011	Phipps
D644,147 S	8/2011	Suh et al.
D644,567 S	9/2011	Kozub
D657,718 S	4/2012	Zipfel et al.
D659,052 S	5/2012	Ware et al.
D659,053 S	5/2012	Ware et al.

(Continued)

*Primary Examiner* — Melody N Brown

(74) *Attorney, Agent, or Firm* — Reising Ethington, P.C.

(57) **CLAIM**

The ornamental design for a vehicle, toy replica, and/or other replica, as shown and described.

**DESCRIPTION**

FIG. 1 is a front and left side perspective view of the vehicle, toy replica, and/or other replica;

FIG. 2 is a rear and right side perspective view thereof;

FIG. 3 is a left side elevation view thereof;

FIG. 4 is a right side elevation view thereof;

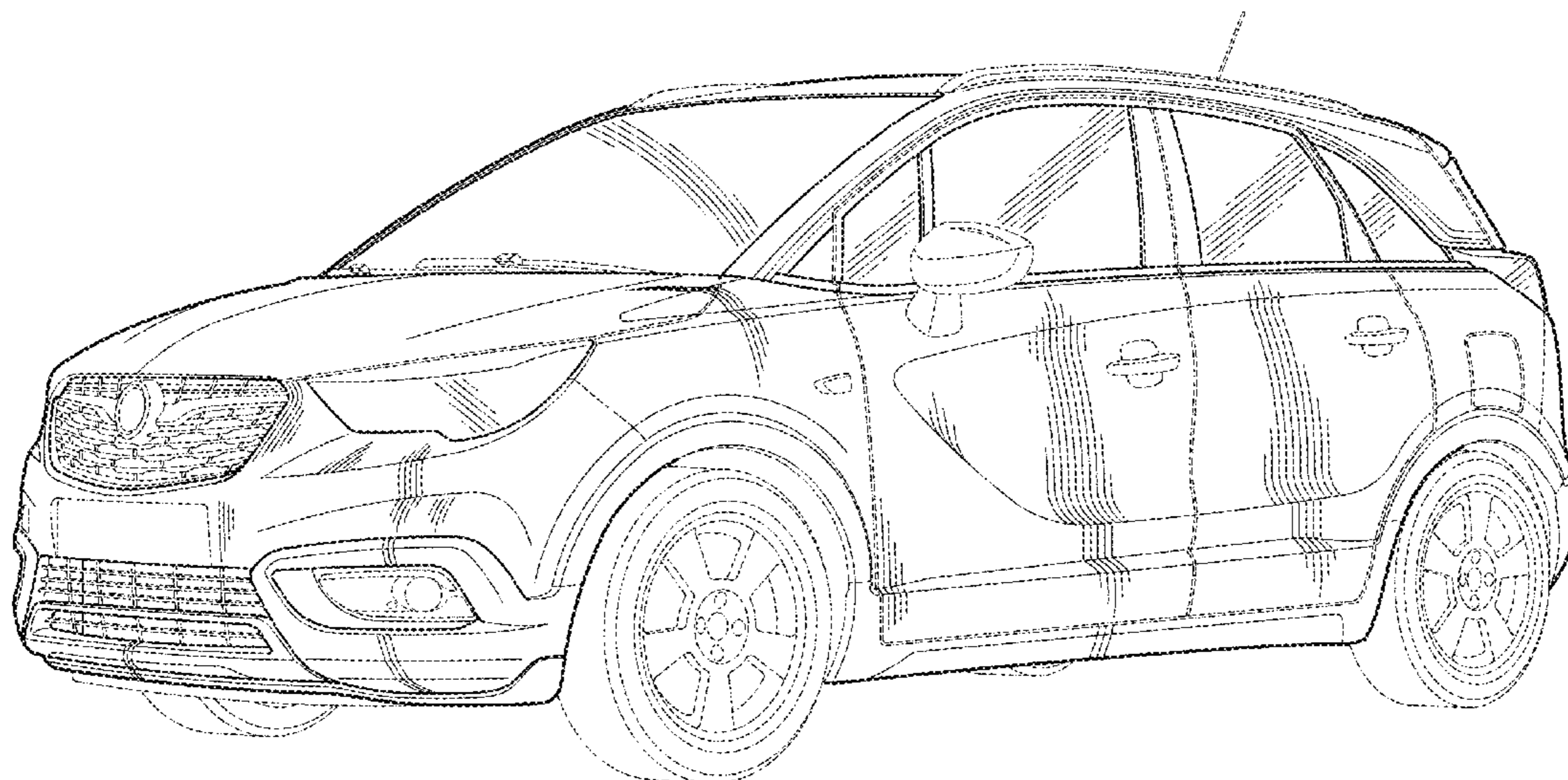
FIG. 5 is a front elevation view thereof;

FIG. 6 is a rear elevation view thereof; and,

FIG. 7 is a top plan view thereof.

The broken lines shown in the drawings depict portions of the vehicle, toy replica, and/or other replica that form no part of the claimed design.

**1 Claim, 6 Drawing Sheets**



(56)

References Cited

U.S. PATENT DOCUMENTS

D668,182 S 10/2012 Barba Franco et al.  
 D668,183 S 10/2012 Smart  
 D678,820 S 3/2013 Son et al.  
 D678,821 S 3/2013 Ikeda et al.  
 D680,909 S 4/2013 Munson et al.  
 D680,910 S 4/2013 David  
 D684,899 S 6/2013 Baker  
 D686,536 S 7/2013 McCabe et al.  
 D692,798 S 11/2013 Thurber  
 D692,799 S 11/2013 Smith et al.  
 D696,157 S 12/2013 Loeb  
 D699,629 S 2/2014 Ikeda et al.  
 D700,871 S 3/2014 O'Donnell et al.  
 D703,103 S 4/2014 Lee  
 D704,103 S 5/2014 Mack et al.  
 D705,132 S 5/2014 Ware et al.  
 D705,699 S 5/2014 Ware et al.  
 D713,298 S 9/2014 Dyson  
 D713,764 S 9/2014 Ferlazzo et al.  
 D716,696 S 11/2014 Thole et al.  
 D716,706 S 11/2014 Thole et al.  
 D716,709 S 11/2014 Thole et al.  
 D717,696 S 11/2014 Thole et al.  
 D718,189 S 11/2014 Krieg et al.  
 D718,683 S 12/2014 Thole et al.  
 D722,282 S 2/2015 Loeb  
 D722,533 S 2/2015 Thole et al.  
 D722,534 S 2/2015 Munson et al.  
 D724,510 S 3/2015 McMahan et al.  
 D725,001 S 3/2015 McMahan et al.  
 D726,591 S 4/2015 Jacob  
 D730,776 S 6/2015 Smart  
 D730,783 S 6/2015 Henriques et al.  
 D732,427 S 6/2015 Loeb  
 D732,429 S 6/2015 Loeb  
 D732,430 S 6/2015 Loeb  
 D732,431 S 6/2015 Loeb  
 D732,432 S 6/2015 Aengenheyster  
 D732,433 S 6/2015 Aengenheyster  
 D732,435 S 6/2015 Mackay  
 D733,002 S 6/2015 Loeb  
 D734,690 S \* 7/2015 Ahn ..... D12/91  
 D735,611 S 8/2015 Aengenheyster  
 D735,627 S 8/2015 Smith  
 D736,451 S 8/2015 Smith  
 D739,306 S 9/2015 McMahan et al.  
 D739,317 S 9/2015 McMahan et al.  
 D741,223 S 10/2015 Kim et al.  
 D743,309 S 11/2015 Thole et al.  
 D743,313 S 11/2015 Smith et al.  
 D743,314 S 11/2015 Thole et al.  
 D743,857 S 11/2015 McMahan et al.  
 D744,158 S 11/2015 Willett et al.  
 D745,086 S 12/2015 Finos et al.  
 D745,719 S 12/2015 Boniface et al.  
 D745,725 S 12/2015 McMahan et al.  
 D745,726 S 12/2015 McMahan et al.  
 D745,837 S 12/2015 Smith et al.  
 D746,726 S 1/2016 Smith et al.  
 D746,727 S 1/2016 Smith et al.  
 D746,728 S 1/2016 Smith et al.  
 D746,729 S 1/2016 Boniface et al.  
 D746,730 S 1/2016 Kim et al.  
 D747,514 S 1/2016 McMahan et al.  
 D747,515 S 1/2016 McMahan et al.  
 D747,819 S 1/2016 Thole et al.  
 D749,021 S 2/2016 Boniface et al.  
 D749,026 S 2/2016 Smith et al.  
 D749,027 S 2/2016 McMahan et al.  
 D749,246 S 2/2016 Thole et al.  
 D749,249 S 2/2016 Thole et al.  
 D749,250 S 2/2016 Thole et al.  
 D749,985 S 2/2016 Kozub et al.  
 D749,997 S 2/2016 McMahan et al.  
 D750,001 S 2/2016 Thole et al.

D752,481 S \* 3/2016 Frascella ..... D12/91  
 D753,032 S 4/2016 Smith et al.  
 D753,033 S 4/2016 Thole et al.  
 D753,034 S 4/2016 Thole et al.  
 D753,035 S 4/2016 Boniface et al.  
 D753,559 S 4/2016 McMahan et al.  
 D753,560 S 4/2016 McMahan et al.  
 D753,567 S 4/2016 Boniface et al.  
 D754,571 S 4/2016 Boniface et al.  
 D754,572 S 4/2016 McMahan et al.  
 D755,088 S 5/2016 McMahan et al.  
 D756,869 S 5/2016 McMahan et al.  
 D758,271 S 6/2016 McMahan et al.  
 D764,975 S 8/2016 Aengenheyster  
 D764,976 S 8/2016 Aengenheyster  
 D767,449 S 9/2016 Pevovar et al.  
 D767,450 S 9/2016 Lee et al.  
 D767,451 S 9/2016 Kozub et al.  
 D767,454 S 9/2016 McMahan et al.  
 D767,458 S 9/2016 Kim  
 D767,459 S 9/2016 Kim  
 D767,460 S 9/2016 Kozub et al.  
 D767,461 S 9/2016 Kozub et al.  
 D771,528 S 11/2016 Smith et al.  
 D771,529 S 11/2016 Thole et al.  
 D771,532 S 11/2016 Kapitonov  
 D771,533 S 11/2016 Kapitonov  
 D772,766 S 11/2016 Kozub et al.  
 D772,767 S 11/2016 Kim  
 D773,084 S 11/2016 Kapitonov  
 D773,086 S 11/2016 McCabe et al.  
 D774,226 S 12/2016 McCabe et al.  
 D775,003 S 12/2016 Pevovar et al.  
 D775,007 S 12/2016 Thole et al.  
 D775,010 S 12/2016 Kim et al.  
 D775,049 S 12/2016 Scheer et al.  
 D775,549 S 1/2017 Karras  
 D775,554 S 1/2017 Kapitonov  
 D776,020 S 1/2017 Kapitonov  
 D776,581 S 1/2017 Pevovar et al.  
 D776,583 S 1/2017 Scheer et al.  
 D776,841 S 1/2017 Kozub et al.  
 D776,843 S 1/2017 McCabe et al.  
 D776,846 S 1/2017 Willett et al.  
 D777,359 S 1/2017 Kozub et al.  
 D777,360 S 1/2017 Kozub et al.  
 D777,361 S 1/2017 Kozub et al.  
 D777,604 S 1/2017 McNerney  
 D777,605 S 1/2017 Ferlazzo et al.  
 D777,620 S 1/2017 Pevovar et al.  
 D777,621 S 1/2017 Kim  
 D777,622 S 1/2017 Kozub et al.  
 D777,628 S 1/2017 Kozub et al.  
 D777,955 S 1/2017 Willett et al.  
 D778,212 S 2/2017 Kozub et al.  
 D778,215 S 2/2017 Kozub et al.  
 D780,064 S 2/2017 Smith et al.  
 D780,067 S 2/2017 Zipfel et al.  
 D780,068 S 2/2017 Whitla et al.  
 D780,077 S 2/2017 Kim et al.  
 D780,081 S 2/2017 Lee  
 D780,084 S 2/2017 Scheer et al.  
 D780,631 S 3/2017 Kozub et al.  
 D780,644 S 3/2017 Kim et al.  
 D781,184 S 3/2017 Thole et al.  
 D781,192 S 3/2017 Kozub et al.  
 D782,379 S 3/2017 Wassell  
 D783,482 S 4/2017 Smith et al.  
 D784,213 S 4/2017 Karras  
 D784,223 S 4/2017 Lee  
 D784,226 S 4/2017 Cheng  
 D784,579 S 4/2017 Cheng et al.  
 D784,877 S 4/2017 Lee  
 D784,886 S 4/2017 Smith et al.  
 D785,521 S 5/2017 Smith et al.  
 D786,149 S 5/2017 Pevovar et al.  
 D786,743 S 5/2017 Smith et al.  
 D786,750 S 5/2017 Lee  
 D787,446 S 5/2017 Cockerill

(56)

**References Cited**

U.S. PATENT DOCUMENTS

D787,984 S	5/2017	Fang	
D787,988 S	5/2017	Lee	
D787,989 S	5/2017	Kozub et al.	
D787,990 S	5/2017	Kozub et al.	
D787,992 S	5/2017	Lee	
D787,993 S	5/2017	McCabe et al.	
D788,001 S	5/2017	Lee	
D788,641 S	6/2017	Arnold	
D789,250 S	6/2017	Arnold	
D789,260 S	6/2017	Smith	
D789,575 S	6/2017	Willett	
D818,876 S *	5/2018	Whitla .....	D12/91

\* cited by examiner

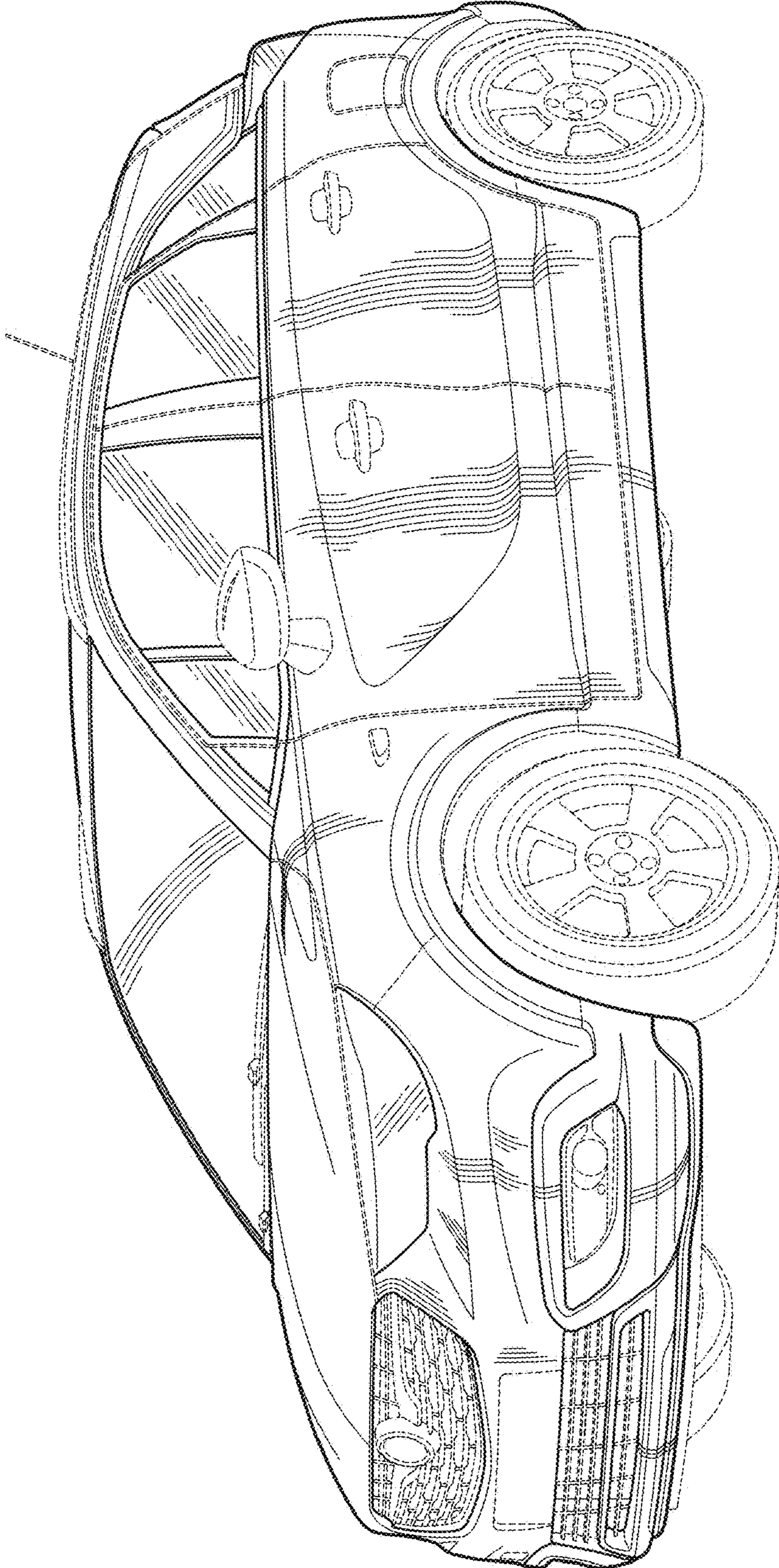


FIG. 1

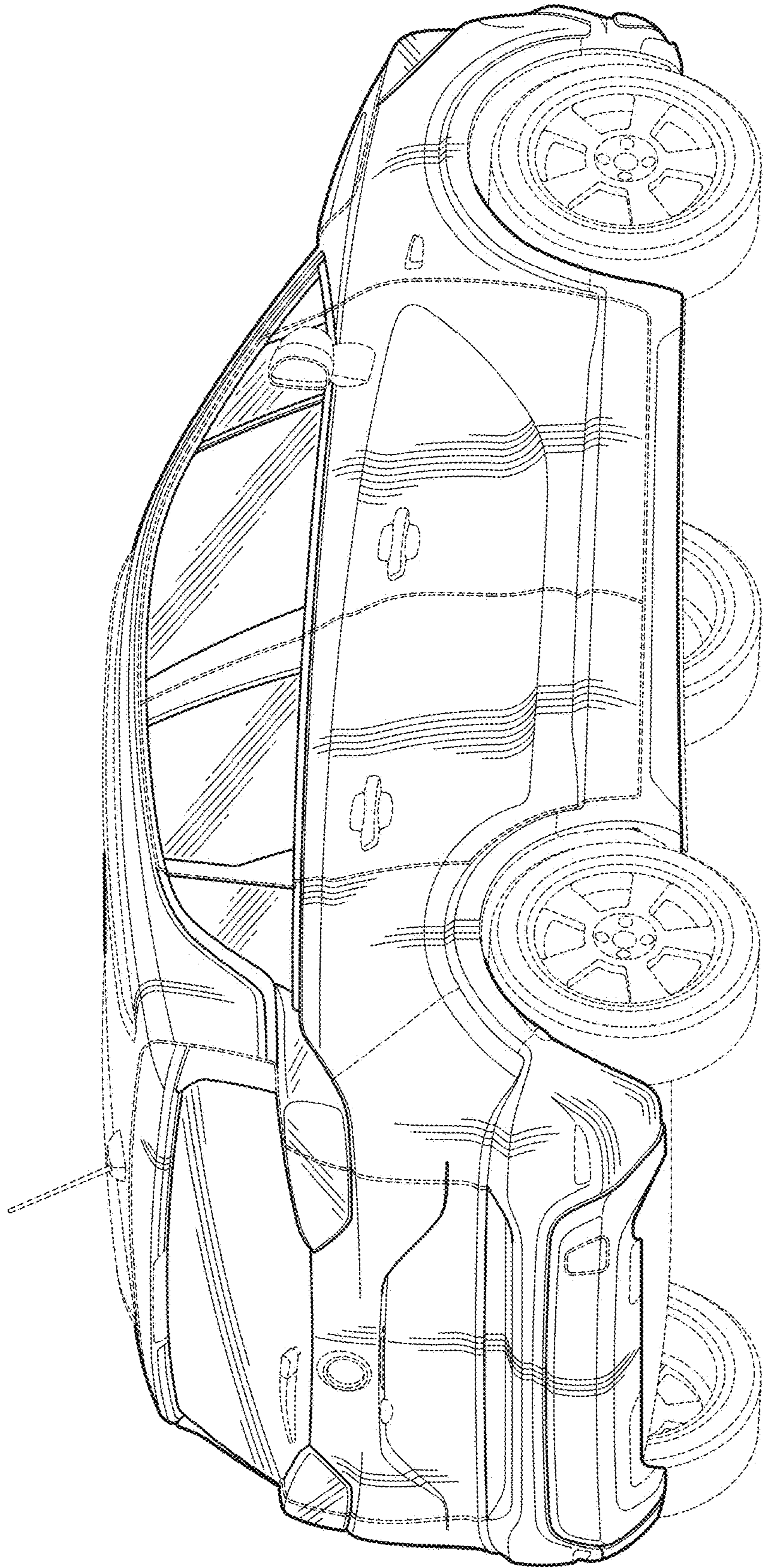


FIG. 2

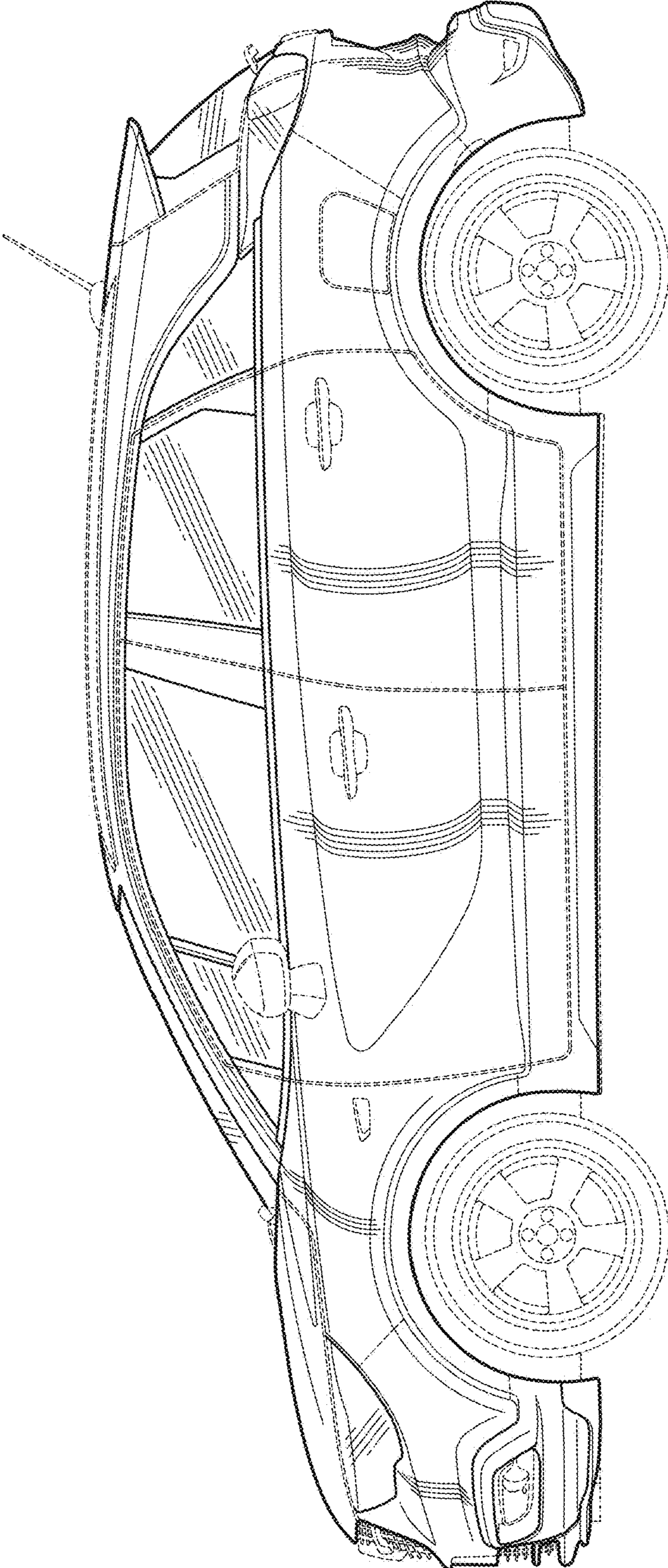


FIG. 3

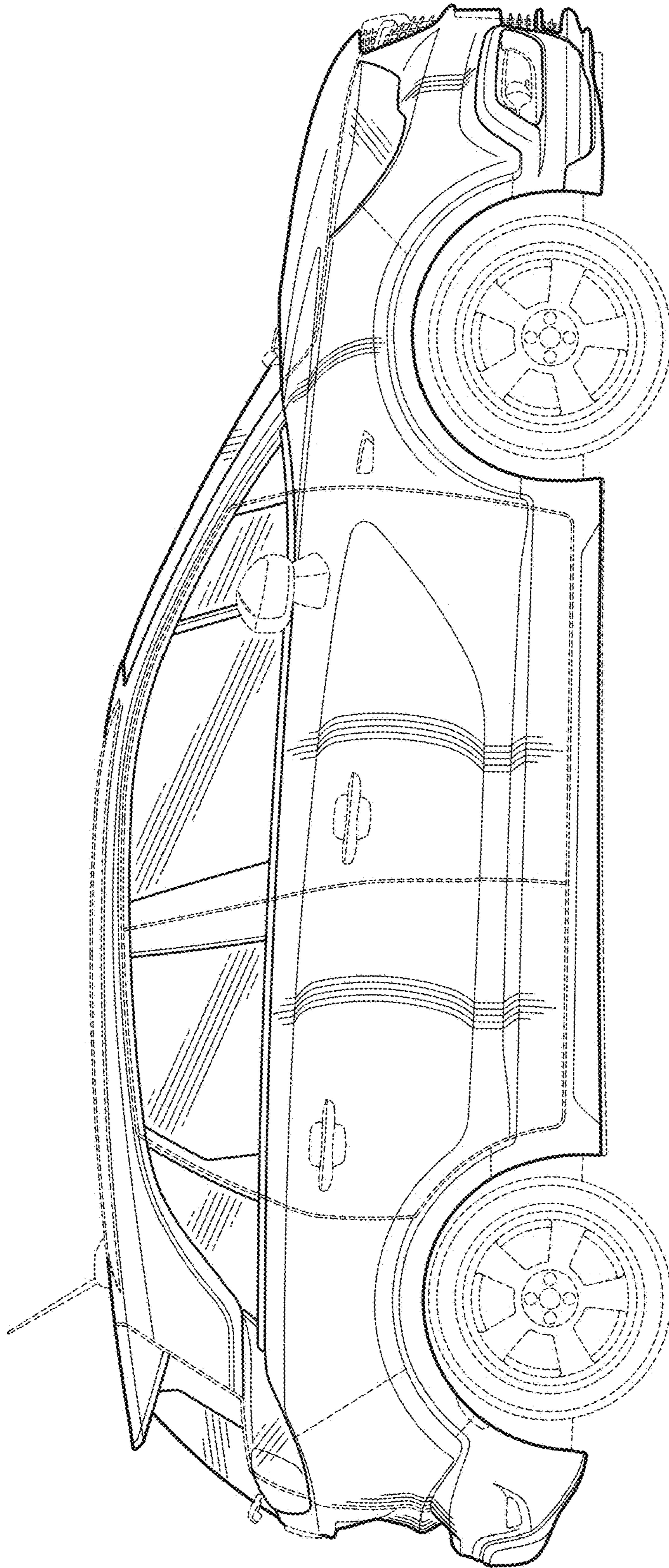


FIG. 4

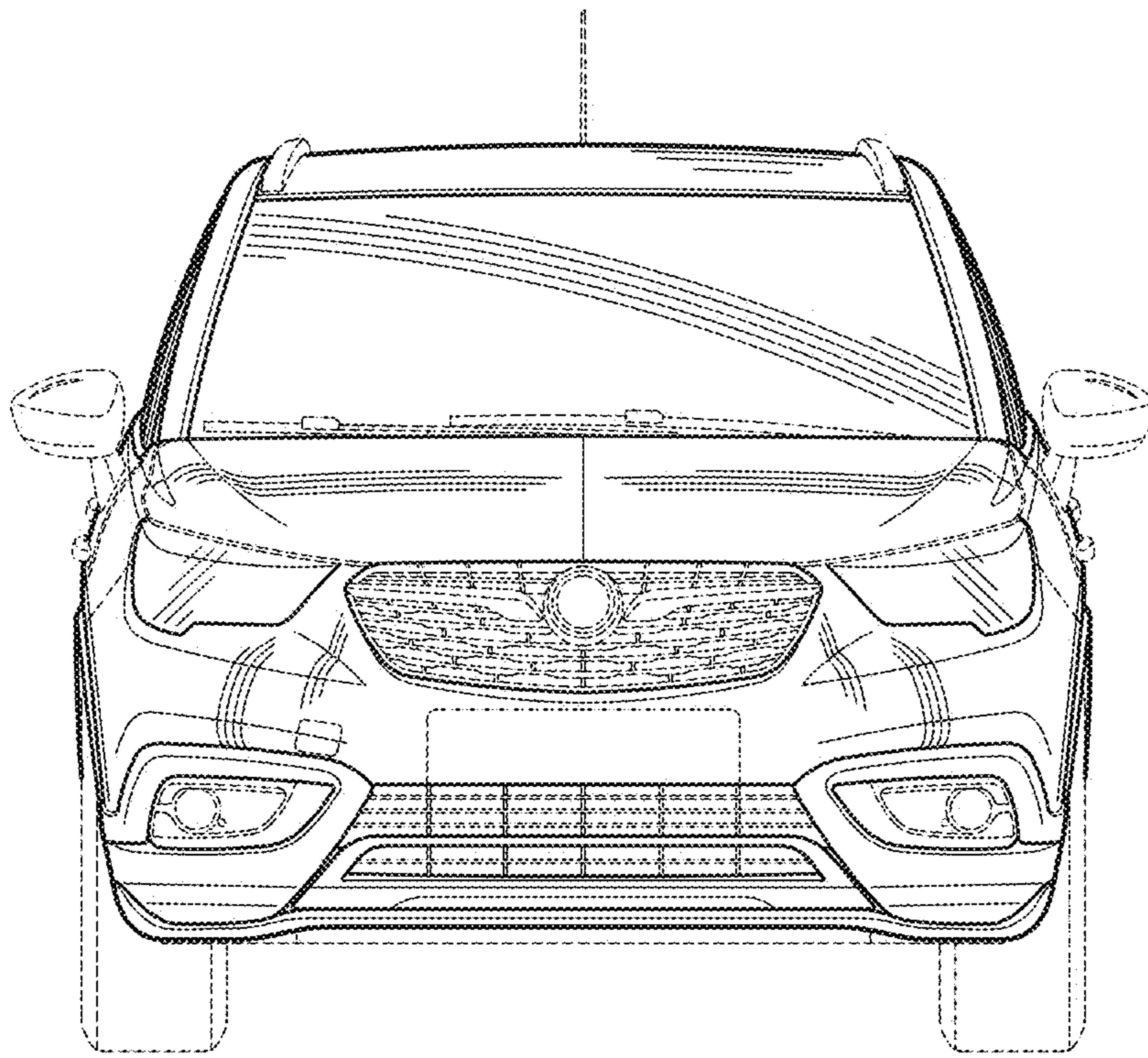


FIG. 5

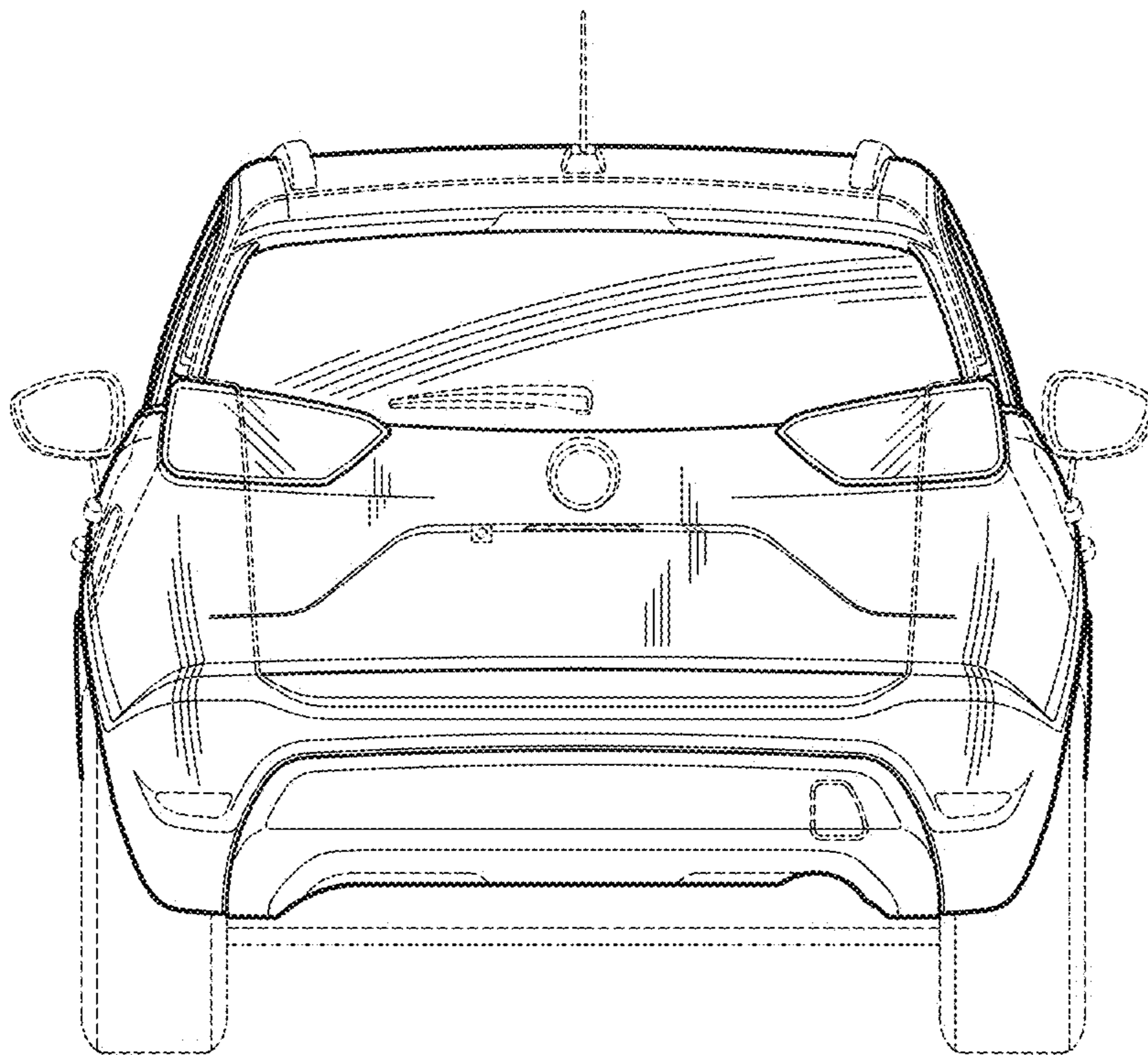


FIG. 6



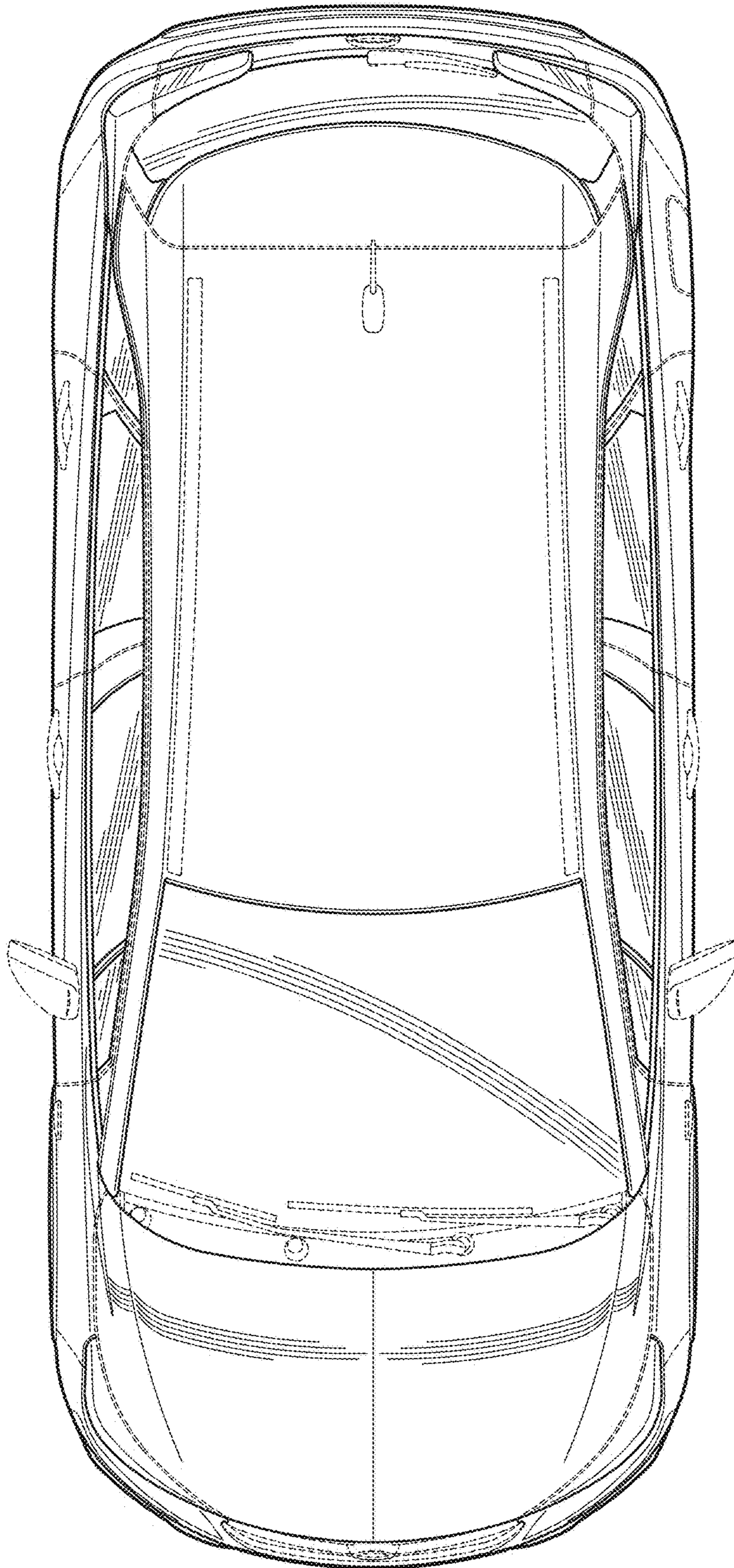


FIG. 7