



US00D848312S

(12) **United States Design Patent** (10) **Patent No.:** **US D848,312 S**
Bengtsson et al. (45) **Date of Patent:** **** May 14, 2019**

(54) **SNOWRIDER**
(71) Applicant: **STIGA Sports AB**, Eskilstuna (SE)
(72) Inventors: **Peter Bengtsson**, Katrineholm (SE);
Per Andersson, Garphyttan (SE)
(73) Assignee: **STIGA SPORTS AB**, Eskilstuna (SE)
(**) Term: **15 Years**
(21) Appl. No.: **29/612,437**
(22) Filed: **Aug. 1, 2017**
(30) **Foreign Application Priority Data**

D223,267 S * 4/1972 Molzen et al. 280/16
3,771,807 A * 11/1973 Porsche B62B 13/04
280/16
D252,505 S * 7/1979 Derkach D12/9
D266,917 S * 11/1982 Stewart D12/7
D298,111 S * 10/1988 Kaptelin D12/9
D311,358 S * 10/1990 Dallaire D12/10
D460,137 S * 7/2002 Burger D12/8
D460,720 S * 7/2002 Aguilar D12/8
D466,833 S * 12/2002 Pan D12/8
D467,199 S * 12/2002 McClure D12/8
D585,332 S * 1/2009 Marks D12/10
D645,786 S * 9/2011 Pedersen D12/8
D647,427 S * 10/2011 Pedersen D12/10
8,177,241 B1 * 5/2012 Marks B62B 13/04
280/14.28
D662,010 S * 6/2012 O'Doherty D12/10
2010/0109267 A1 * 5/2010 Leycraft B62B 13/04
280/21.1

Feb. 1, 2017 (EM) 003734722-0001
(51) **LOC (11) Cl.** **12-14**
(52) **U.S. Cl.**
USPC **D12/6**
(58) **Field of Classification Search**
USPC D12/6, 7, 8, 9, 10, 11; D21/419-435,
D21/766-767, 769, 760, 765, 764
CPC B62B 13/04; B62B 13/046; B62B 13/043;
B62B 13/00
See application file for complete search history.

* cited by examiner

Primary Examiner — T Chase Nelson
Assistant Examiner — Ania Aman
(74) *Attorney, Agent, or Firm* — Cooper Legal Group,
LLC; Ronald M. Kachmarik

(57) **CLAIM**

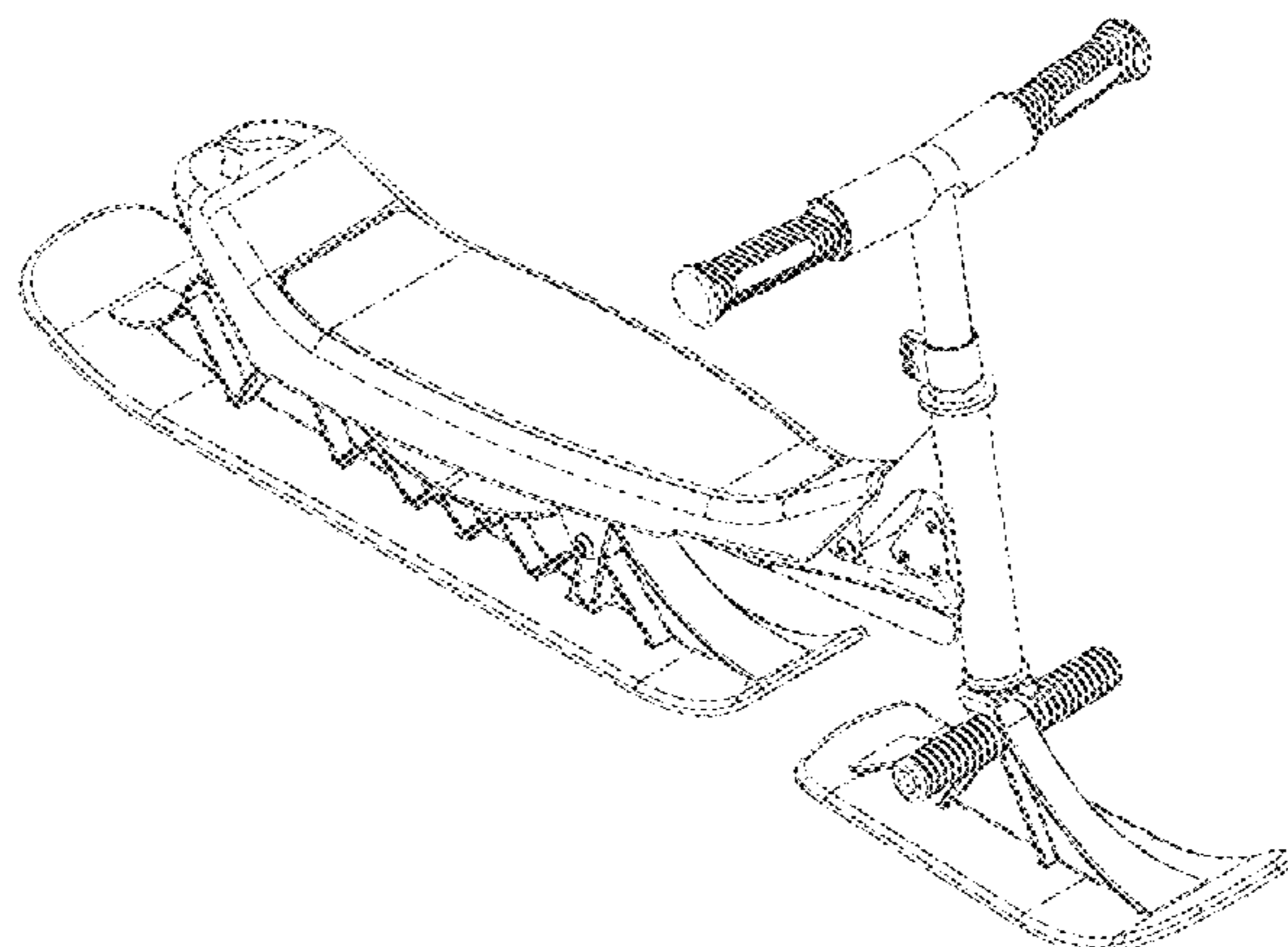
The ornamental design for a snowrider, as shown and described.

DESCRIPTION

FIG. 1 is a perspective view of a snowrider, from a generally top and side viewing position, showing the new design;
FIG. 2 is another perspective view thereof, from a generally bottom and side viewing position;
FIG. 3 is a first-side view thereof;
FIG. 4 is a second-side view thereof;
FIG. 5 is a top-side view thereof;
FIG. 6 is a front-side view thereof; and,
FIG. 7 is a rear-side view thereof.

1 Claim, 7 Drawing Sheets

(56) **References Cited**
U.S. PATENT DOCUMENTS
D210,544 S * 3/1968 Fleisher D12/8
3,398,970 A * 8/1968 Horiuchi B62B 13/12
280/16
D215,950 S * 11/1969 Porsche et al. D12/10
3,526,412 A * 9/1970 Garcia B62B 13/04
280/16
3,583,721 A * 6/1971 Doran-Webb B62B 13/04
280/16
3,588,138 A * 6/1971 Cerny, Jr. B62B 13/12
280/16



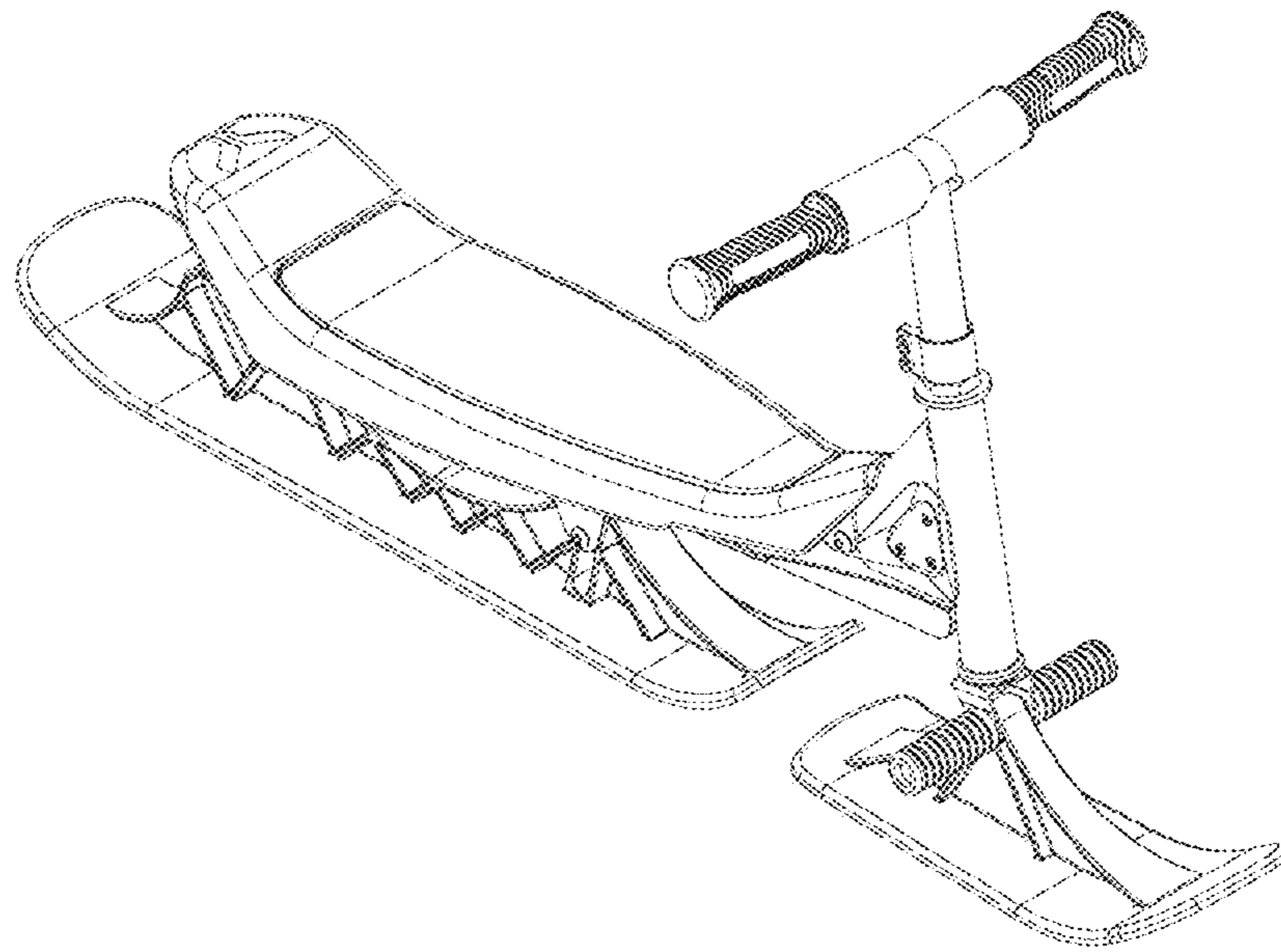


FIG. 1

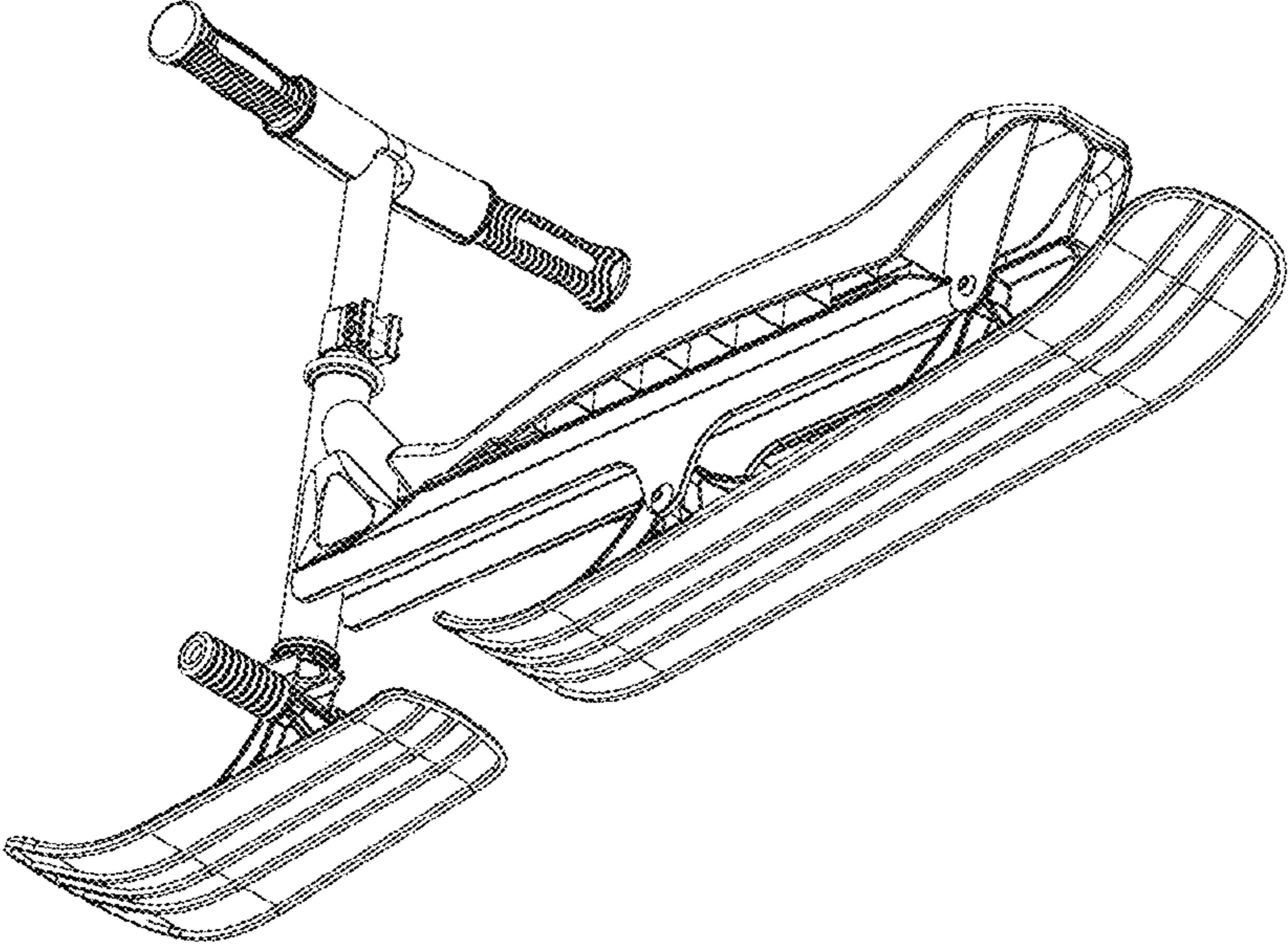


FIG. 2

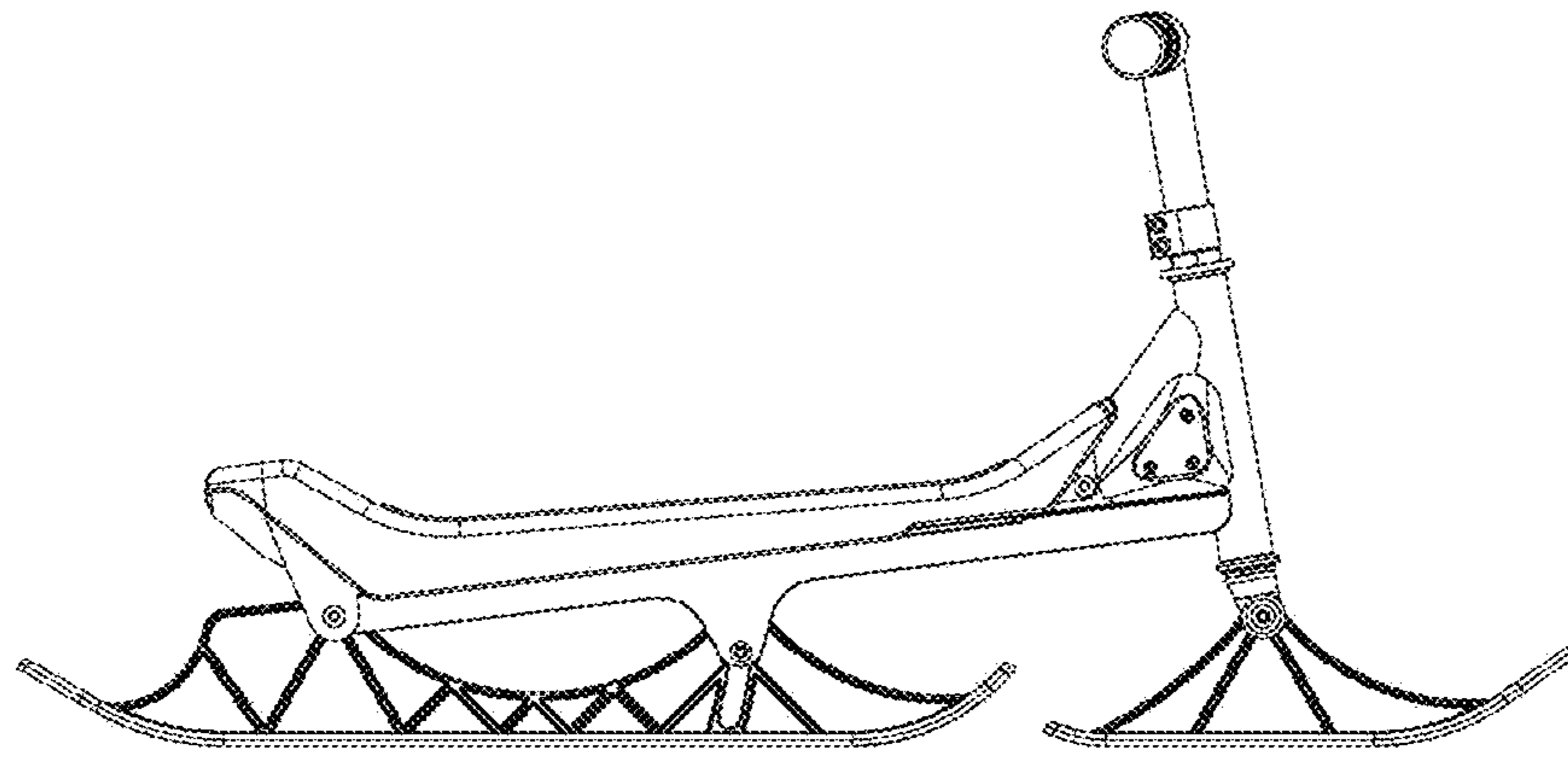


FIG. 3

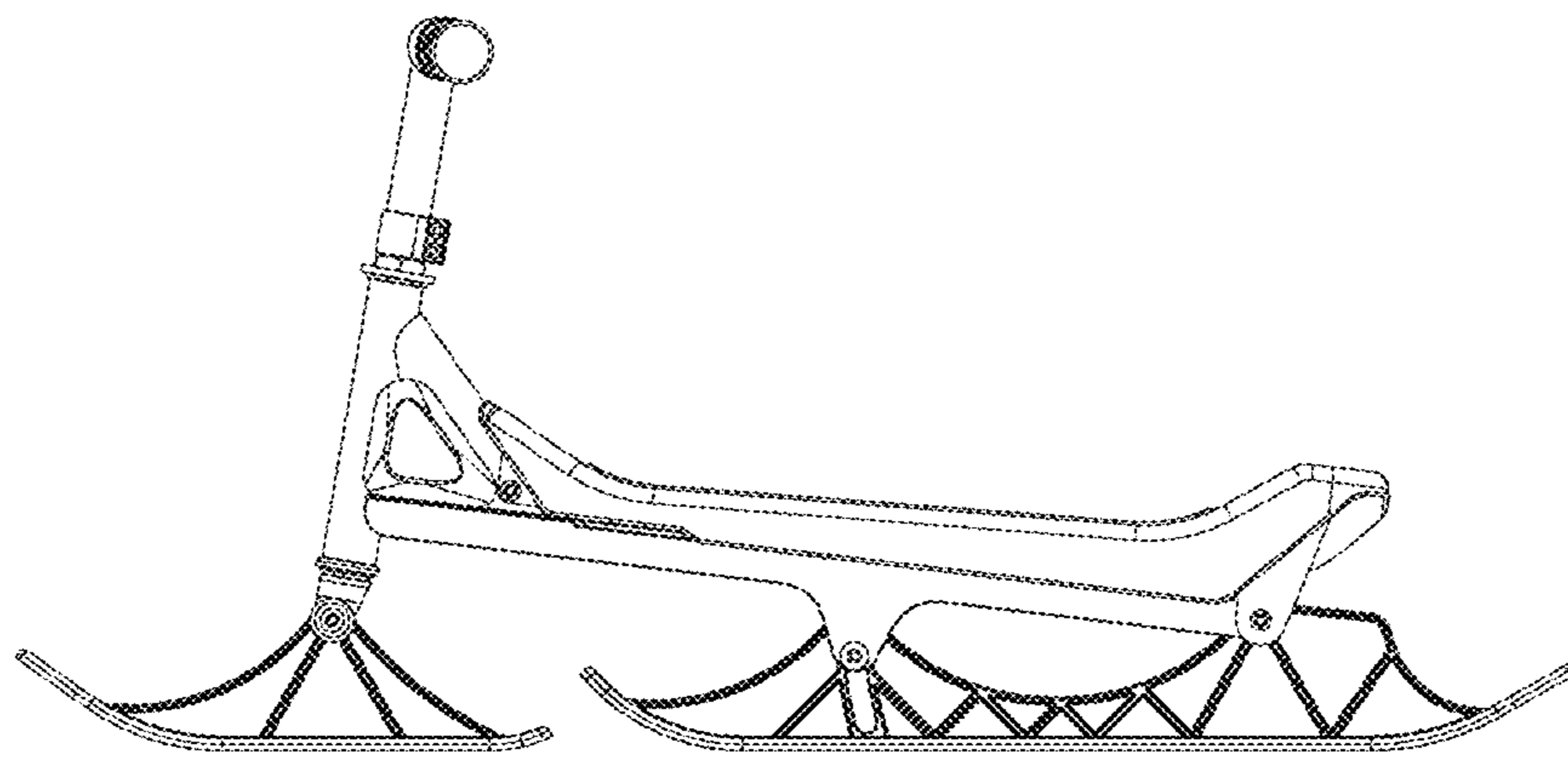


FIG. 4

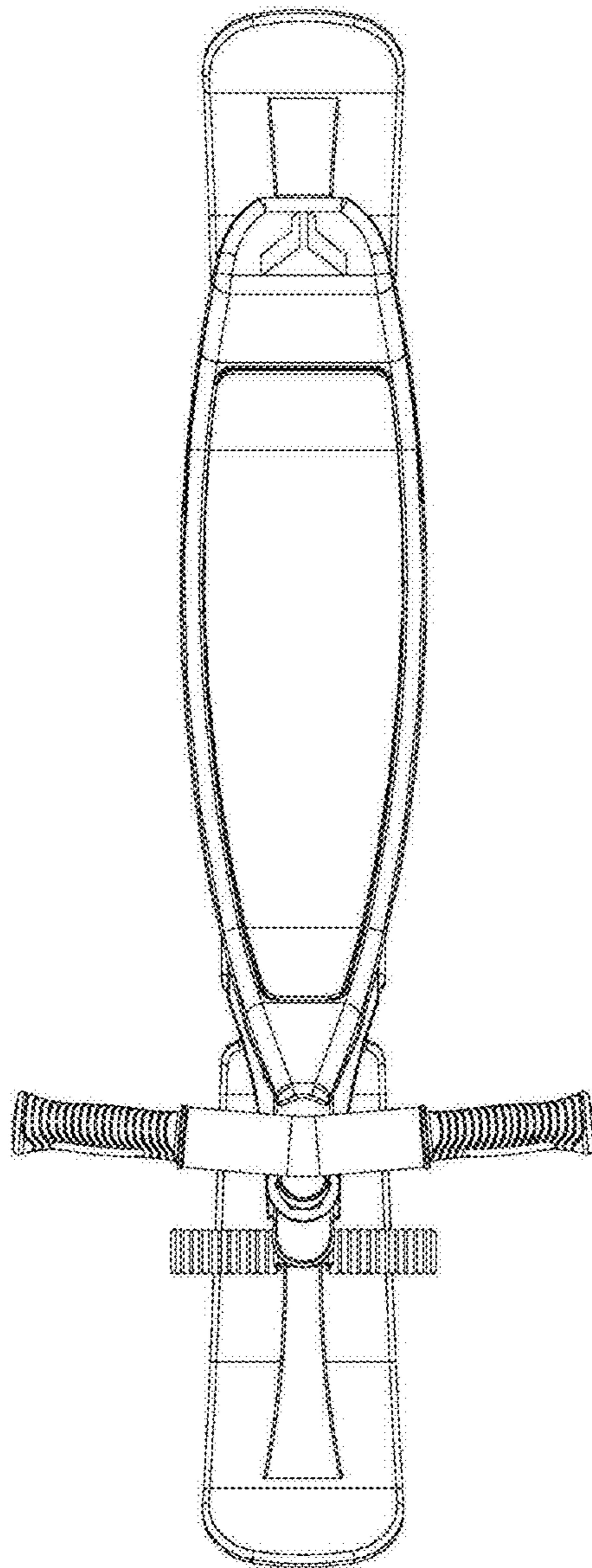


FIG. 5

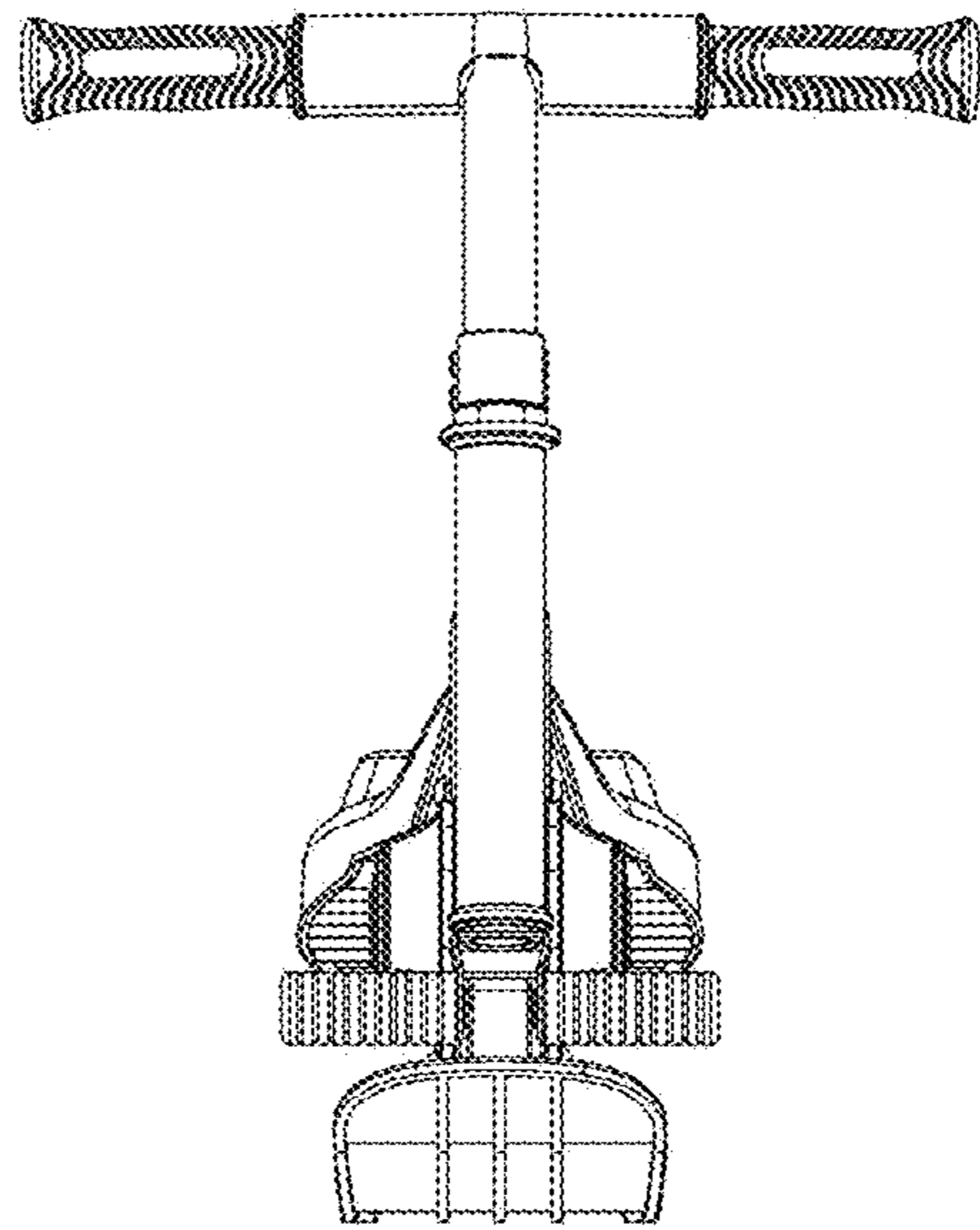


FIG. 6

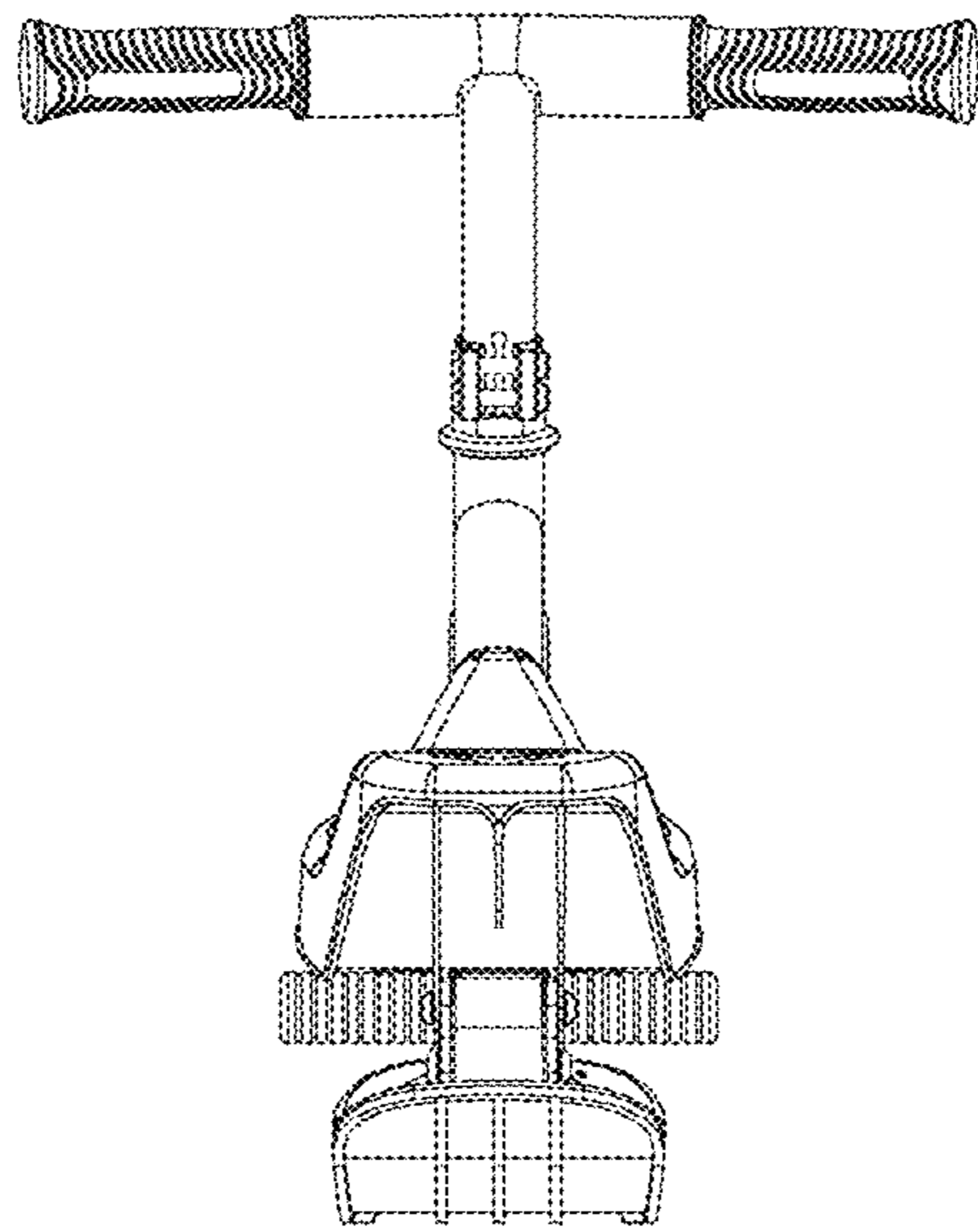


FIG. 7