



US00D848311S

(12) **United States Design Patent** (10) **Patent No.:** **US D848,311 S**
Hung et al. (45) **Date of Patent:** **** May 14, 2019**

(54) **SLIDER**

(56) **References Cited**

(71) Applicant: **IDEAL FASTENER (GUANG DONG) INDUSTRIES LTD.,**
Zhaoqing, Guangdong Province (CN)

U.S. PATENT DOCUMENTS

(72) Inventors: **Franklin Chi Yen Hung,** Zhaoqing (CN); **Guoliang Qiu,** Zhaoqing (CN); **Wei Qiu,** Zhaoqing (CN); **Wenqi Zhang,** Zhaoqing (CN); **Zongjian Lyu,** Zhaoqing (CN); **Jianan Zeng,** Zhaoqing (CN); **Fukang Wu,** Zhaoqing (CN)

4,422,220	A *	12/1983	Oda	A44B 19/306
				24/421
4,827,580	A *	5/1989	Yaguramaki	A44B 19/305
				24/419
D315,701	S *	3/1991	Aoki	D11/221
D643,776	S *	8/2011	Keyaki	D11/221
D671,864	S *	12/2012	Keyaki	D11/221
D709,405	S *	7/2014	Keyaki	D11/221
D778,780	S *	2/2017	Wang	D11/221
D778,781	S *	2/2017	Wang	D11/221
D803,094	S *	11/2017	Keyaki	D11/221
D804,988	S *	12/2017	Hung	D11/221
D813,090	S *	3/2018	Hung	D11/221
9,936,774	B2 *	4/2018	Hsu	A44B 19/26
2011/0258818	A1 *	10/2011	Keyaki	A44B 19/262
				24/429

(73) Assignee: **IDEAL FASTENER (GUANG DONG) INDUSTRIES LTD.,**
Zhaoqing (CN)

(**) Term: **15 Years**

* cited by examiner

(21) Appl. No.: **29/593,886**

Primary Examiner — Ralf Seifert

(22) Filed: **Feb. 14, 2017**

(74) *Attorney, Agent, or Firm* — Hauptman Ham, LLP

(30) **Foreign Application Priority Data**

Dec. 30, 2016 (CN) 2016 3 0659207

(51) **LOC (11) Cl.** **02-07**

(52) **U.S. Cl.**
USPC **D11/221**

(58) **Field of Classification Search**
USPC D11/200, 201, 221; 24/381–383,
24/385–389, 401, 414–417, 421–422,
24/427–431, 433, 434; 2/265; D2/641,
D2/642; 294/3.6; 223/118; D8/33, 34,
D8/40

CPC A44B 19/00; A44B 19/02; A44B 19/04;
A44B 19/10; A44B 19/26; A44B 19/30;
A44B 19/06; A44B 19/34; A44B 19/40;
A44B 19/52; A44B 19/38; G02C 3/003;
A44H 37/06; B29C 45/14573

See application file for complete search history.

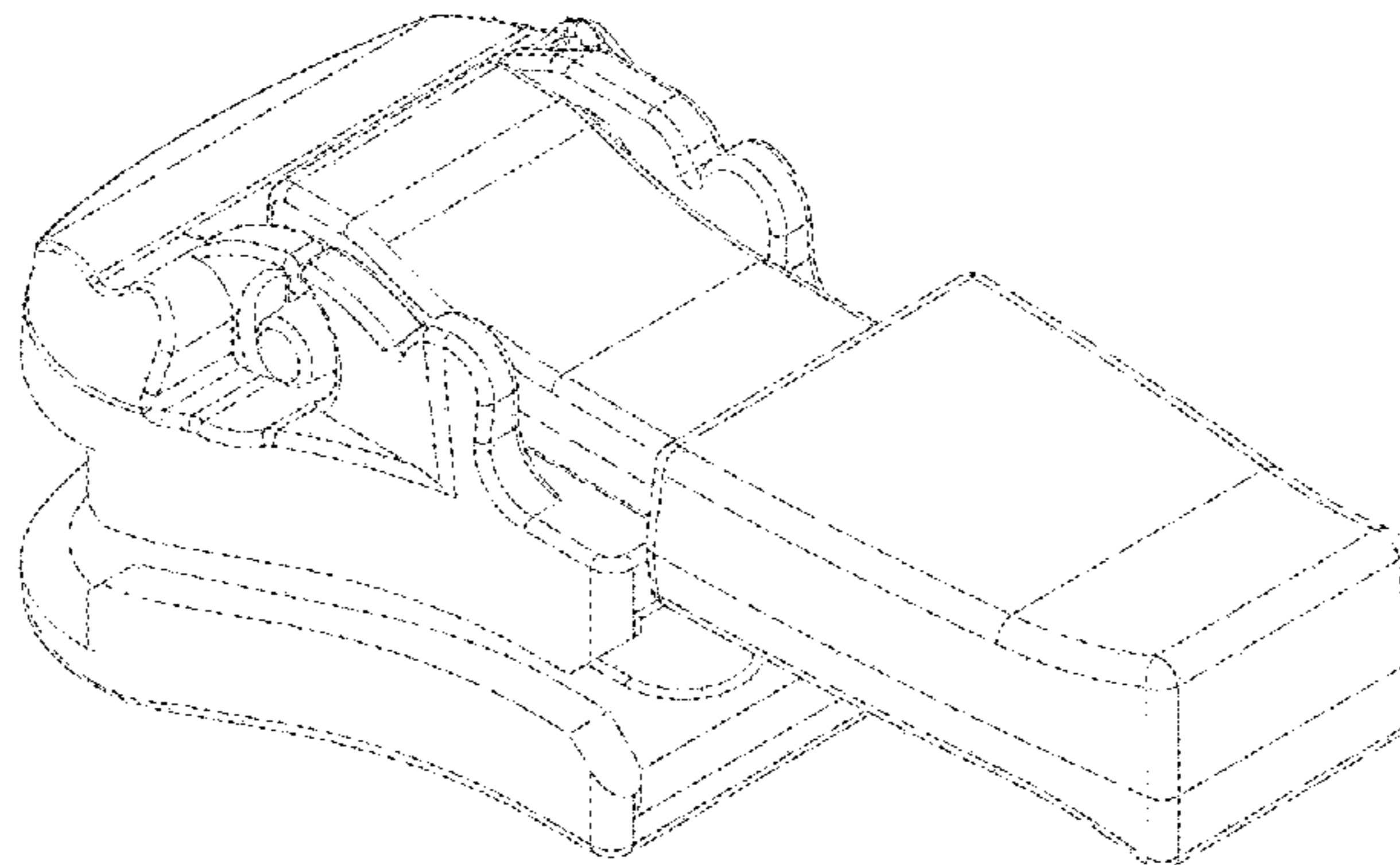
(57) **CLAIM**

A new, original, ornamental design for a slider, shown.

DESCRIPTION

FIG. 1 is a front view of a slider bearing the design;
FIG. 2 is a rear view thereof;
FIG. 3 is a right side view thereof;
FIG. 4 is a left side view thereof;
FIG. 5 is a bottom view thereof;
FIG. 6 is a top view thereof;
FIG. 7 is a front right perspective view thereof;
FIG. 8 is a front left perspective view thereof; and,
FIG. 9 is a rear left perspective view thereof.

1 Claim, 9 Drawing Sheets



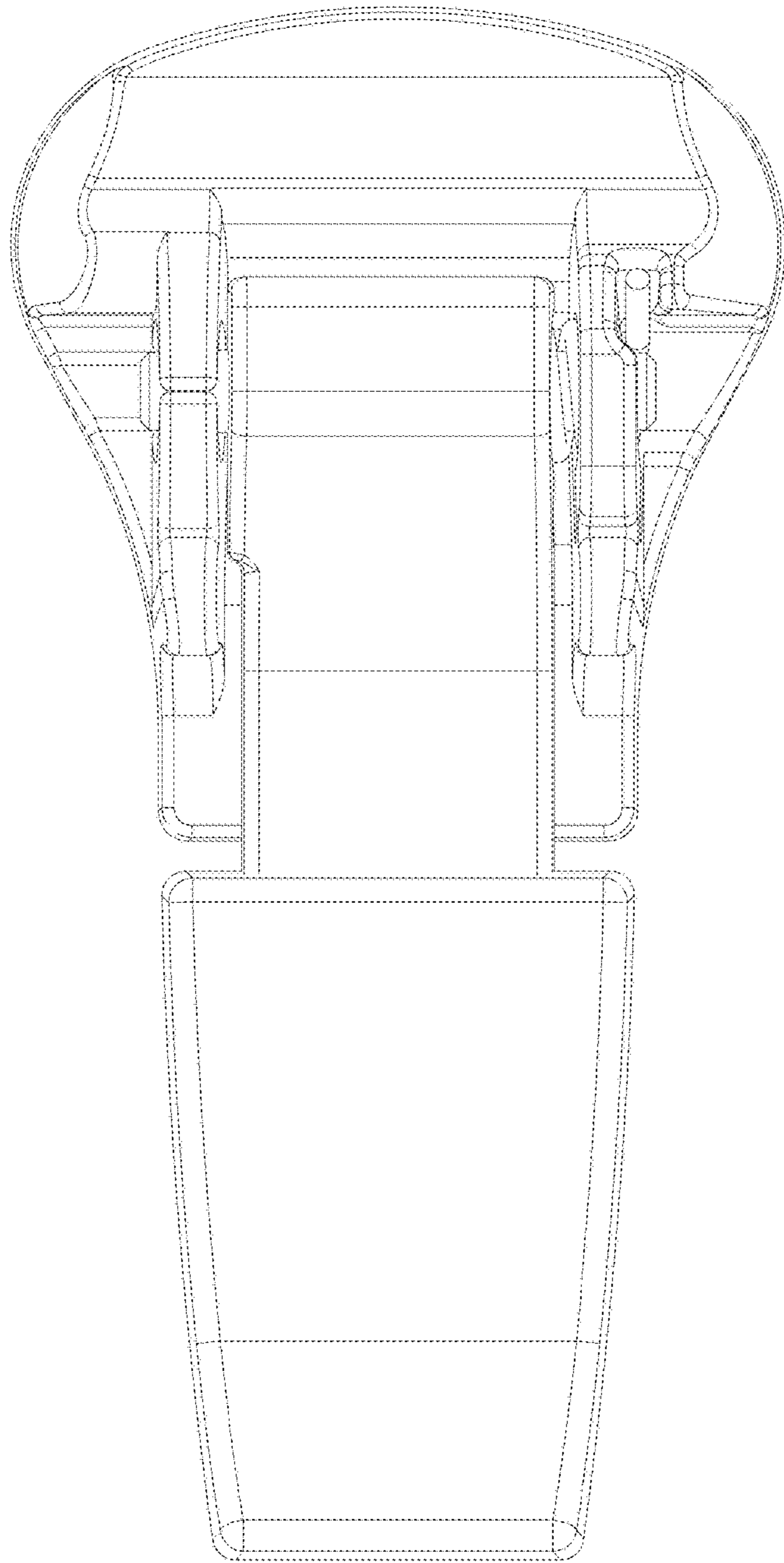


FIG. 1

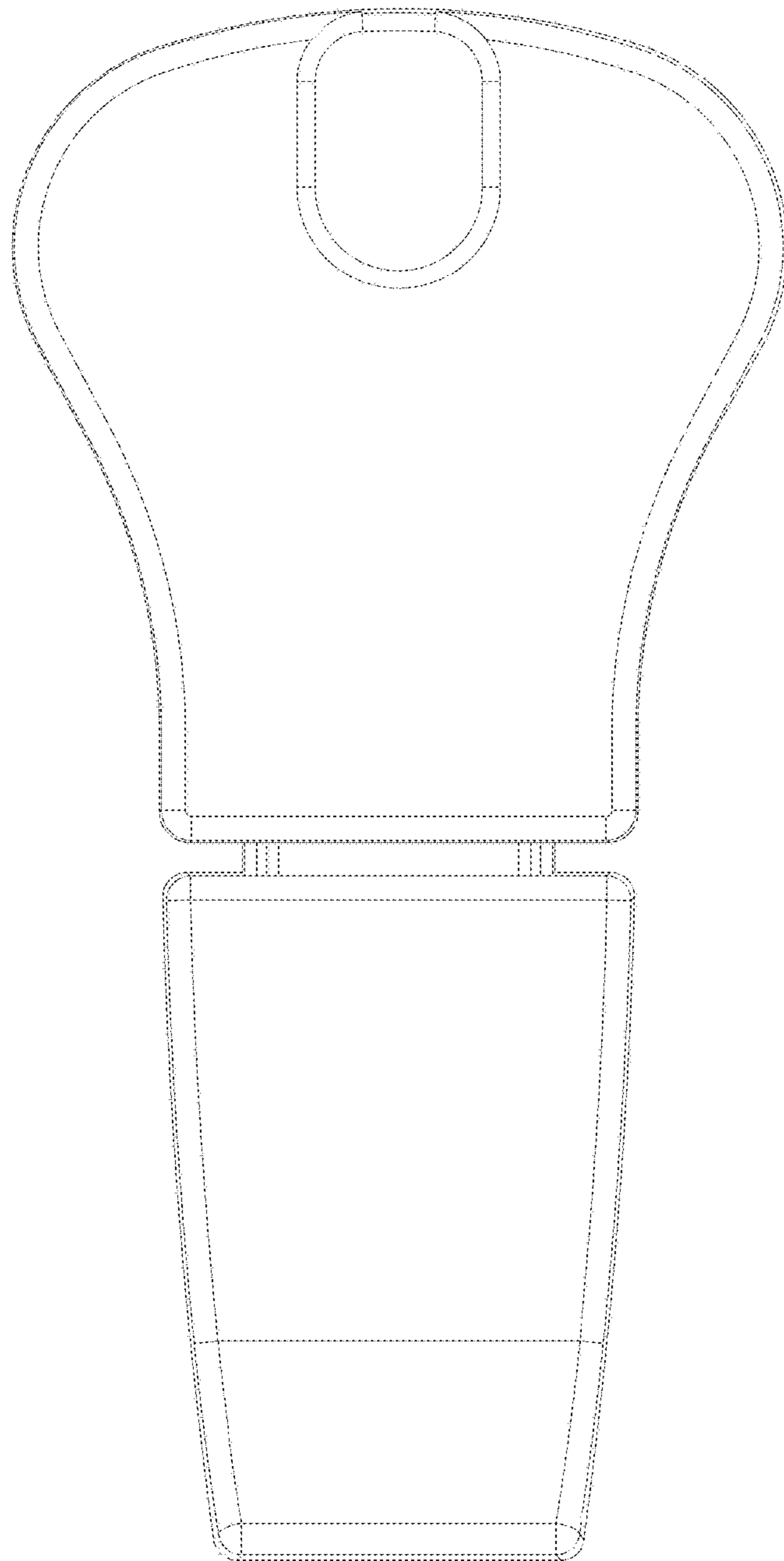


FIG. 2

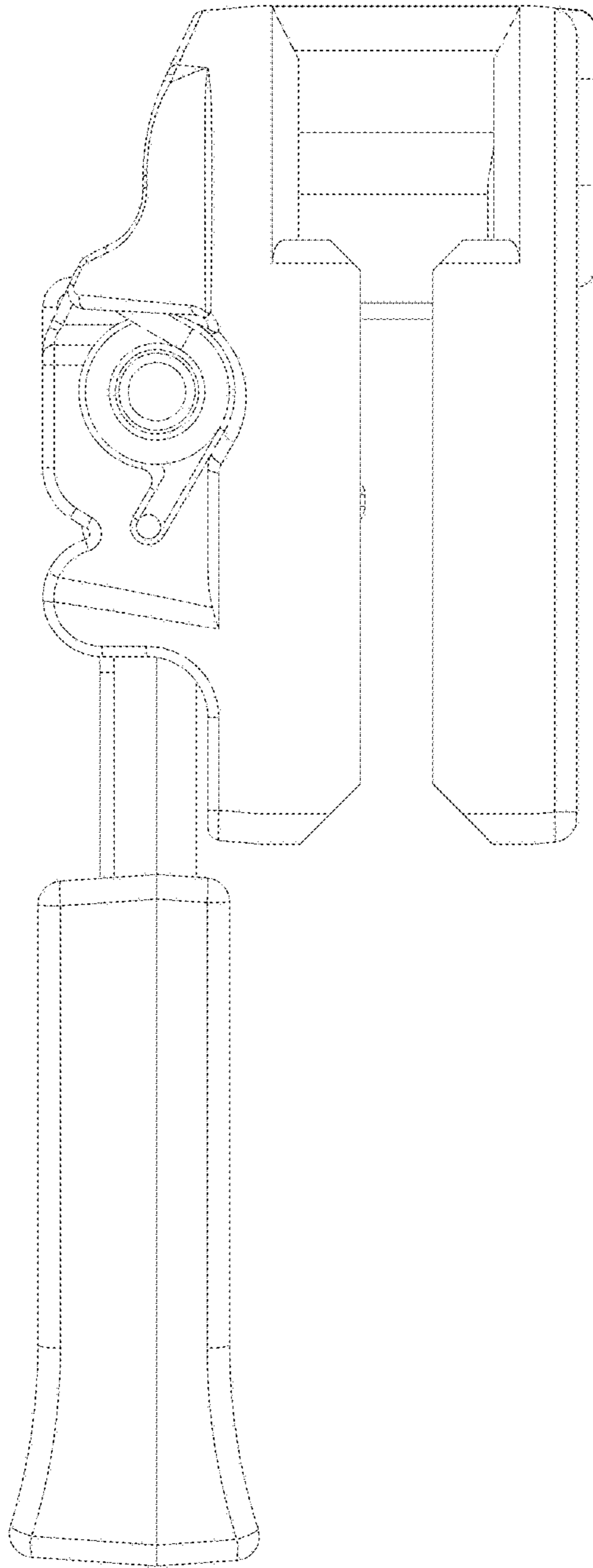


FIG. 3

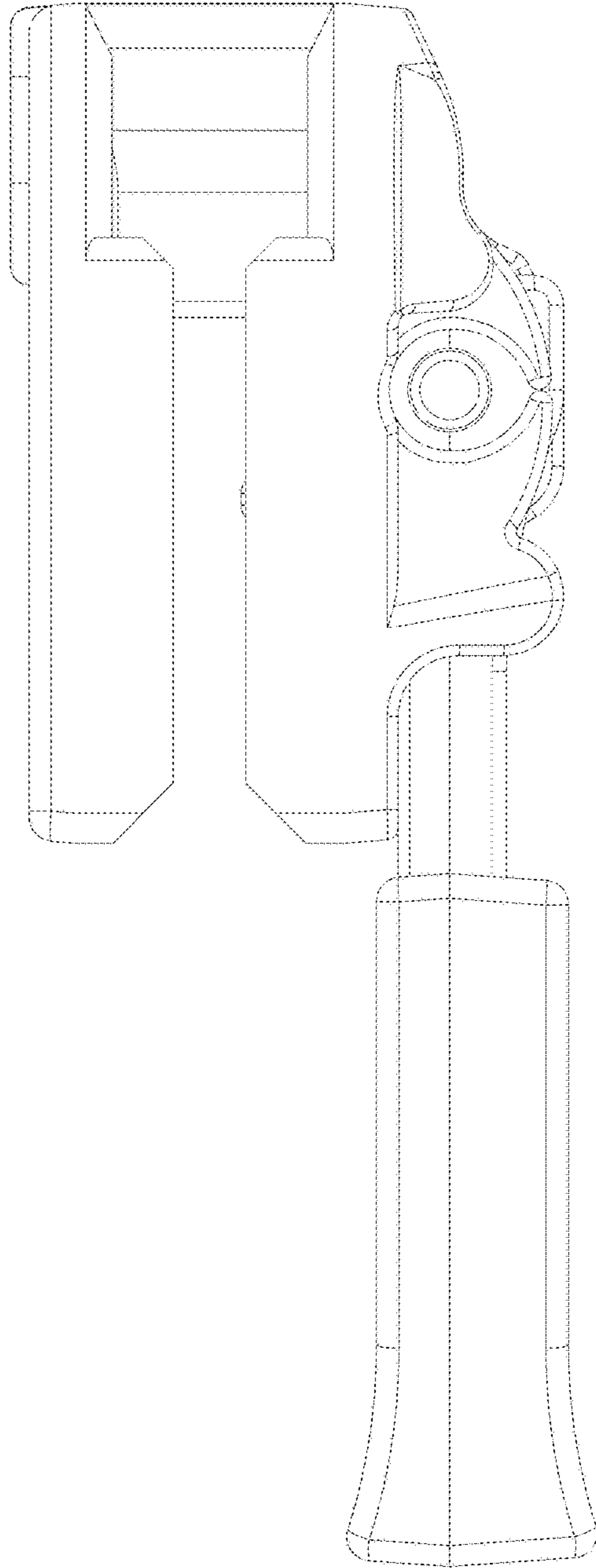


FIG. 4

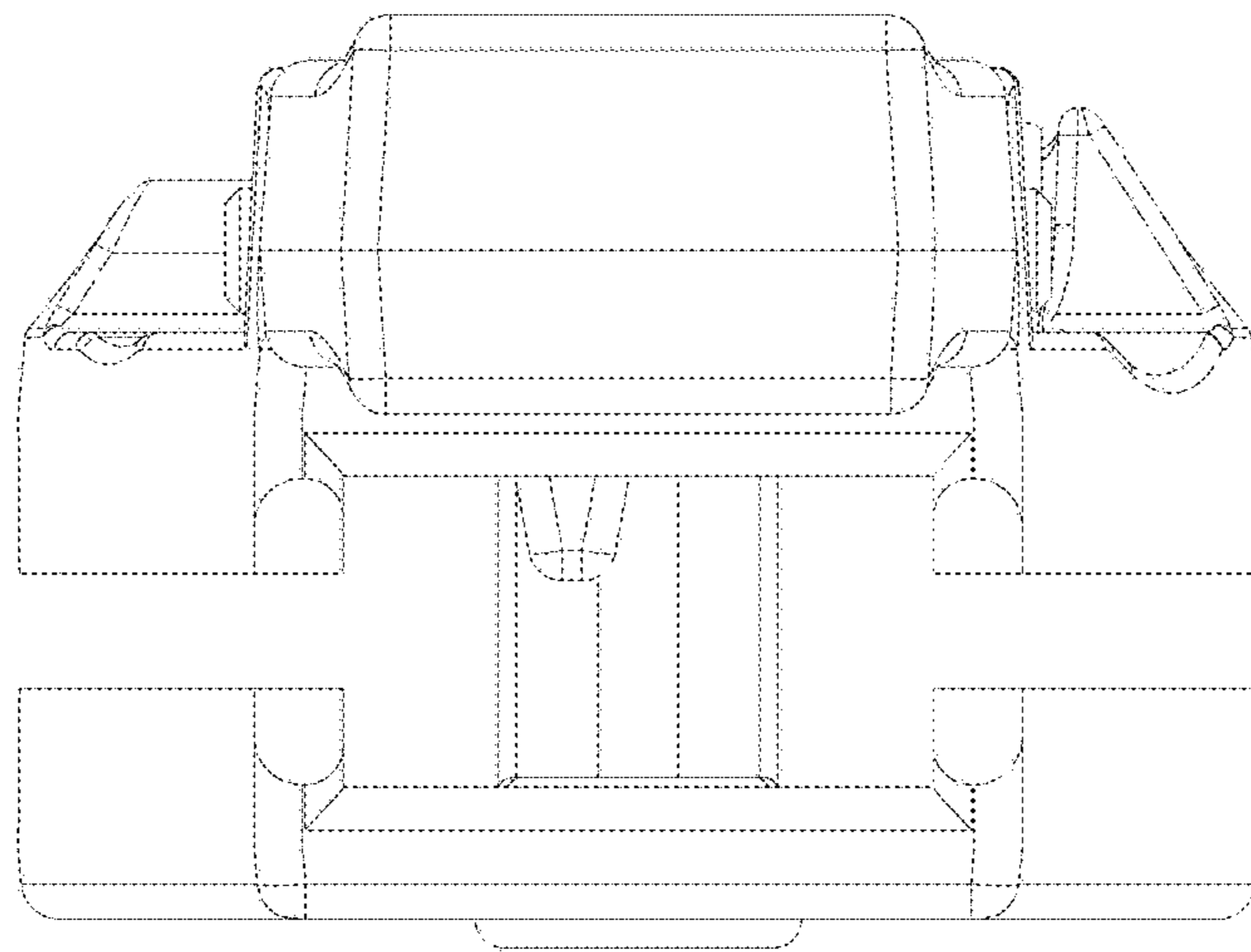


FIG. 5

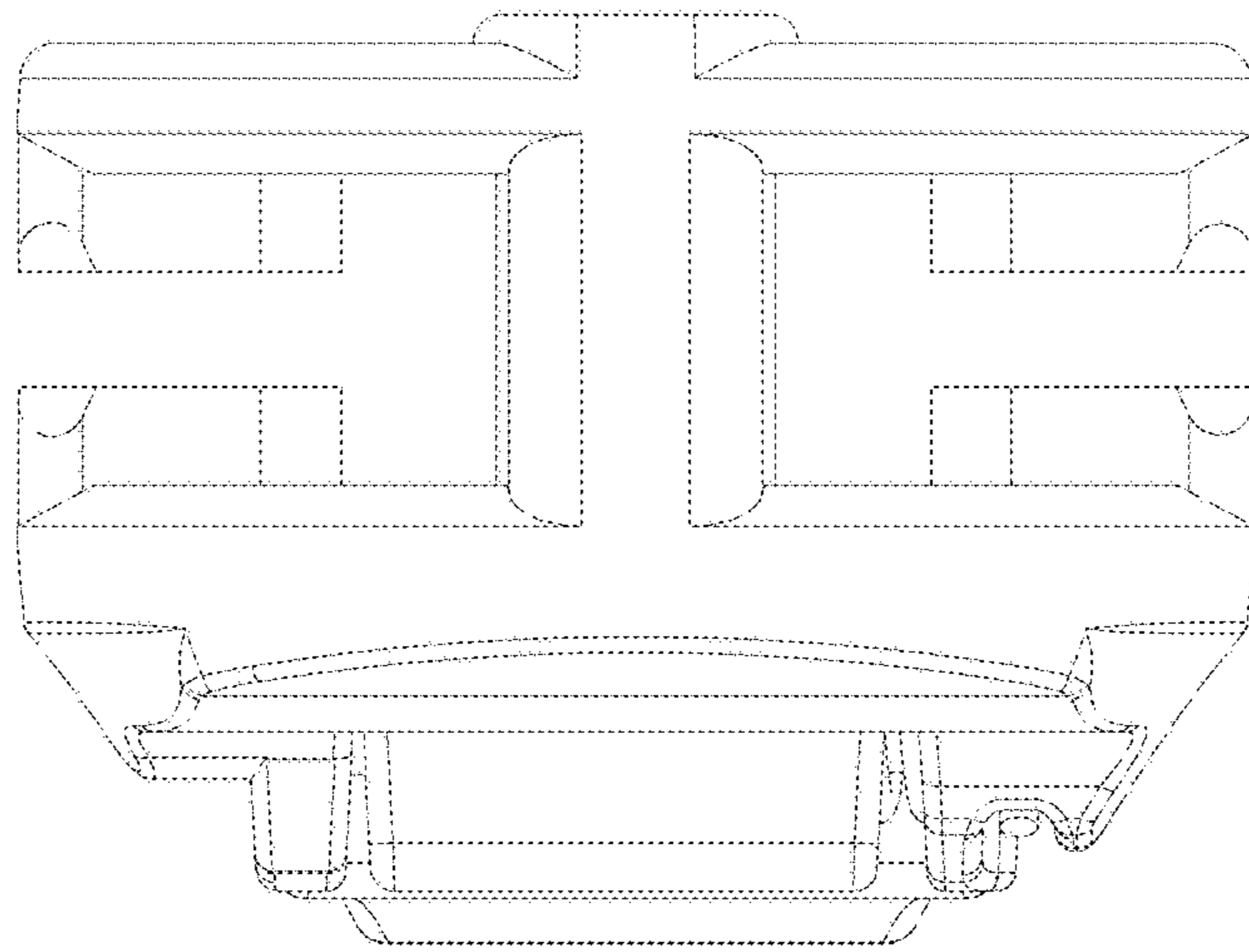


FIG. 6

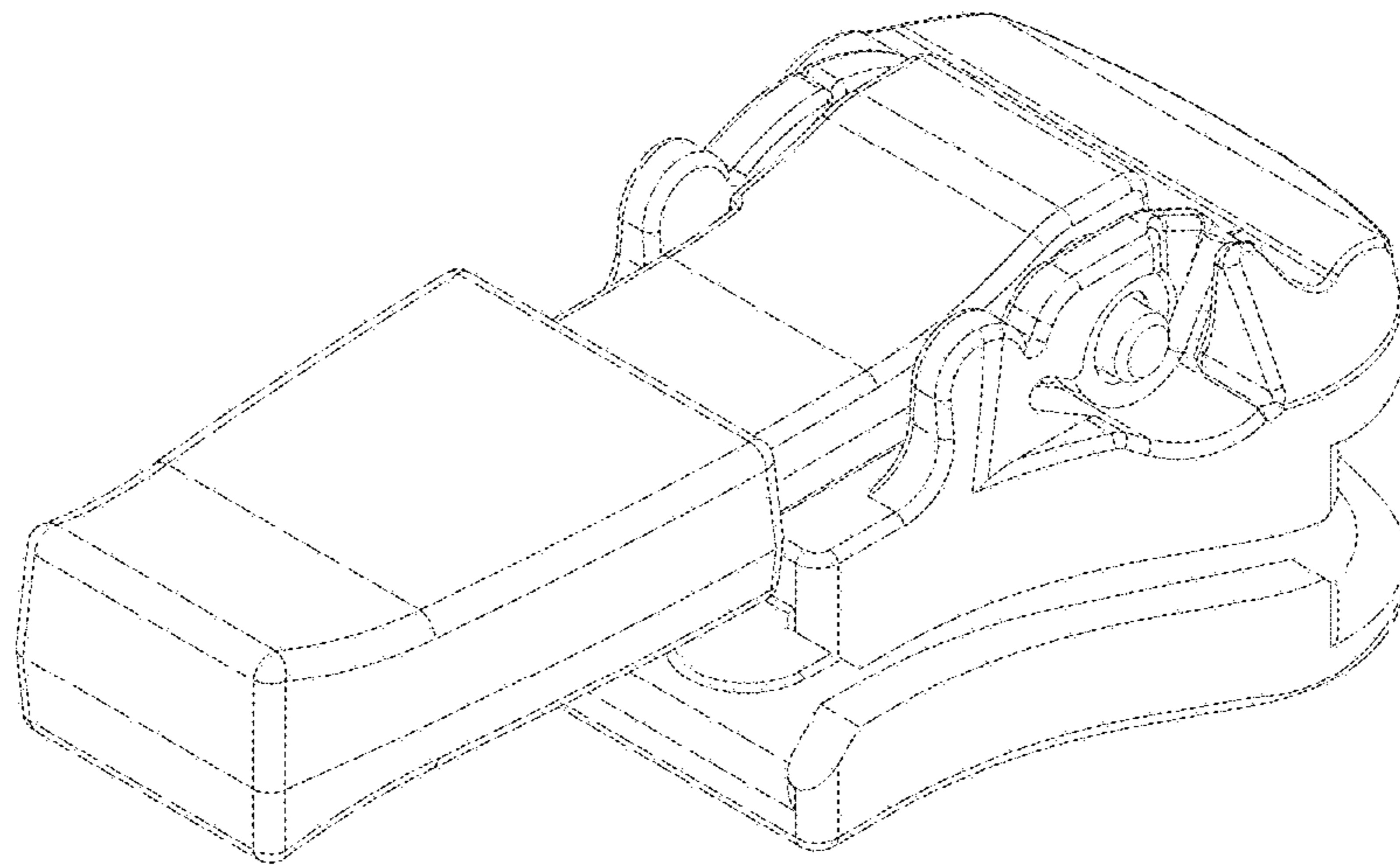


FIG. 7

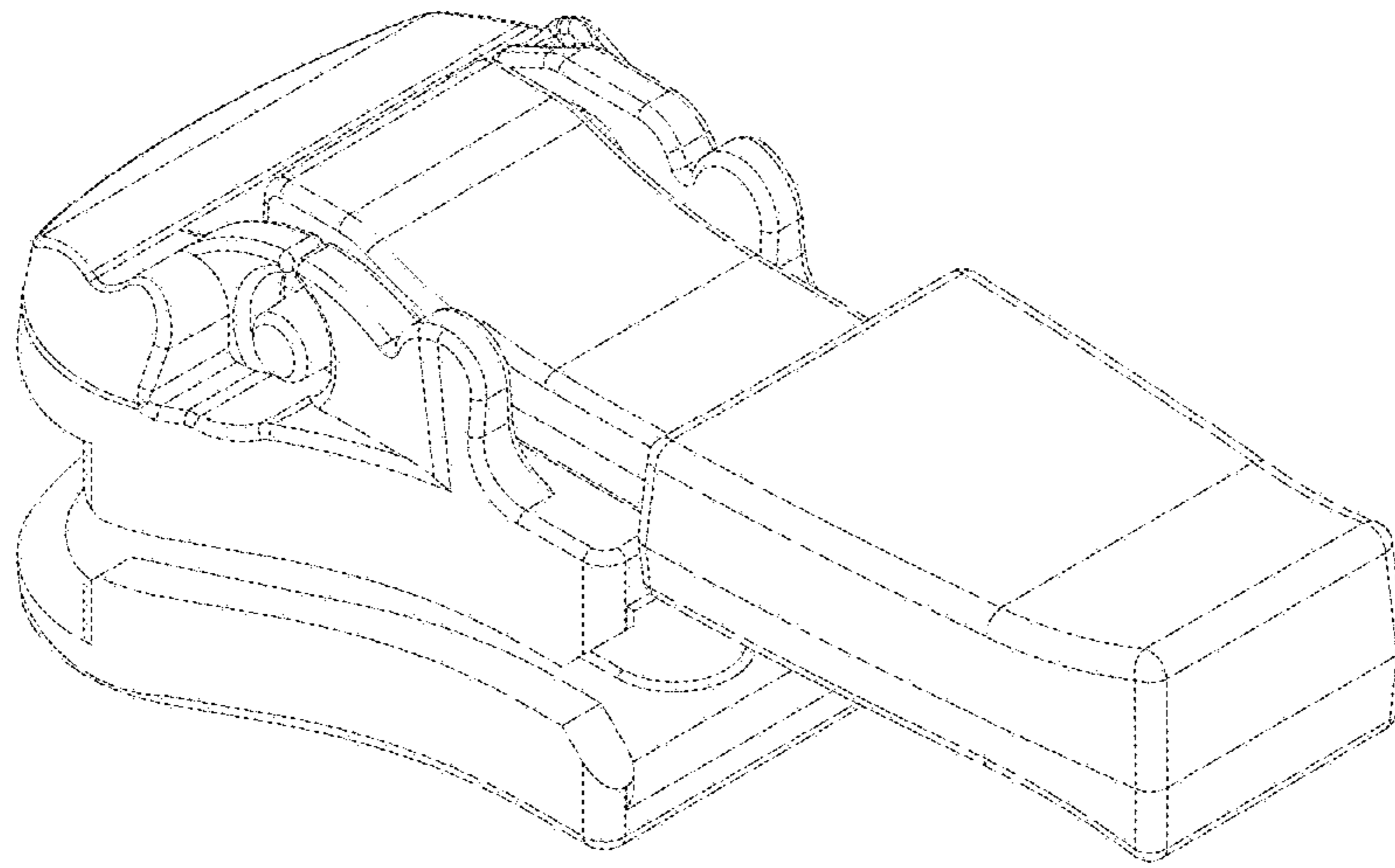


FIG. 8

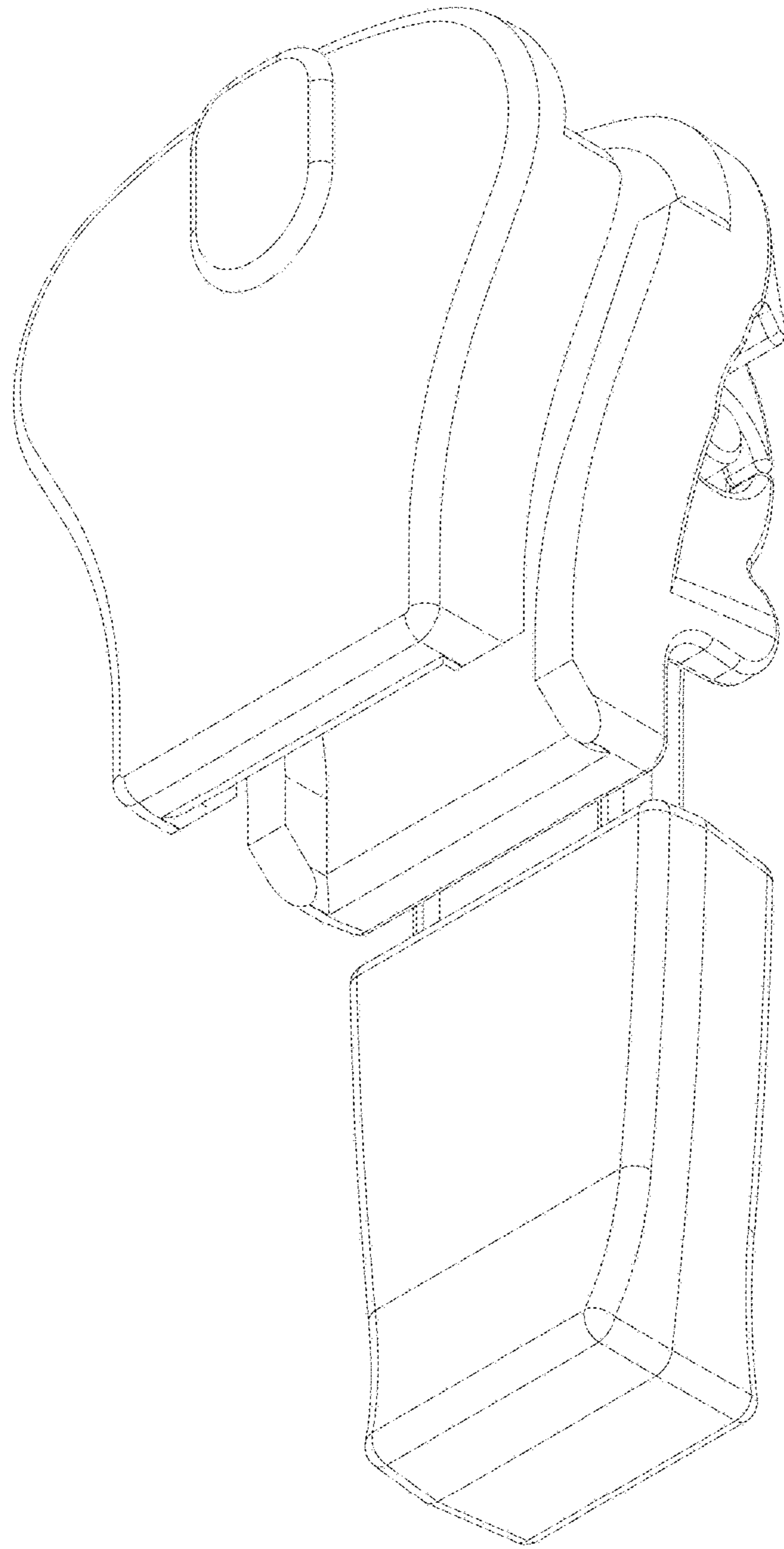


FIG. 9