



US00D848310S

(12) **United States Design Patent** (10) **Patent No.:** **US D848,310 S**
Budnick (45) **Date of Patent:** **** May 14, 2019**

(54) **HERB RACK**
(71) Applicant: **Vanguard Plastics Corp.**, Southington, CT (US)
(72) Inventor: **Christopher Budnick**, Southington, CT (US)
(73) Assignee: **VANGUARD PLASTICS CORP.**, Southington, CT (US)

D584,087 S * 1/2009 Weiss D11/143
8,069,609 B1 12/2011 Towne et al.
D721,613 S * 1/2015 Prinster D11/152
D742,278 S * 11/2015 Wu D11/143
D800,013 S * 10/2017 Cabeza D11/143
D816,437 S * 5/2018 Kendall D7/701
2001/0035364 A1 11/2001 Weder et al.
2005/0023172 A1* 2/2005 Ide G03D 3/06
206/446
2011/0041402 A1 2/2011 Teasdale
2016/0330916 A1* 11/2016 Budnick A01G 9/02

(**) Term: **15 Years**

* cited by examiner

(21) Appl. No.: **29/558,532**

Primary Examiner — Susan Bennett Hattan

(22) Filed: **Mar. 18, 2016**

Assistant Examiner — Rebecca Tsehaye

(51) **LOC (11) Cl.** **11-02**

(74) *Attorney, Agent, or Firm* — Cantor Colburn LLP

(52) **U.S. Cl.**
USPC **D11/148**

(57) **CLAIM**

(58) **Field of Classification Search**
USPC D11/148, 147, 143, 131, 152, 153;
206/461, 462, 466
CPC B65D 85/20; B65D 83/00; B65D 83/06;
A01G 9/02
See application file for complete search history.

I claim, an ornamental design for an herb rack, as shown and described.

DESCRIPTION

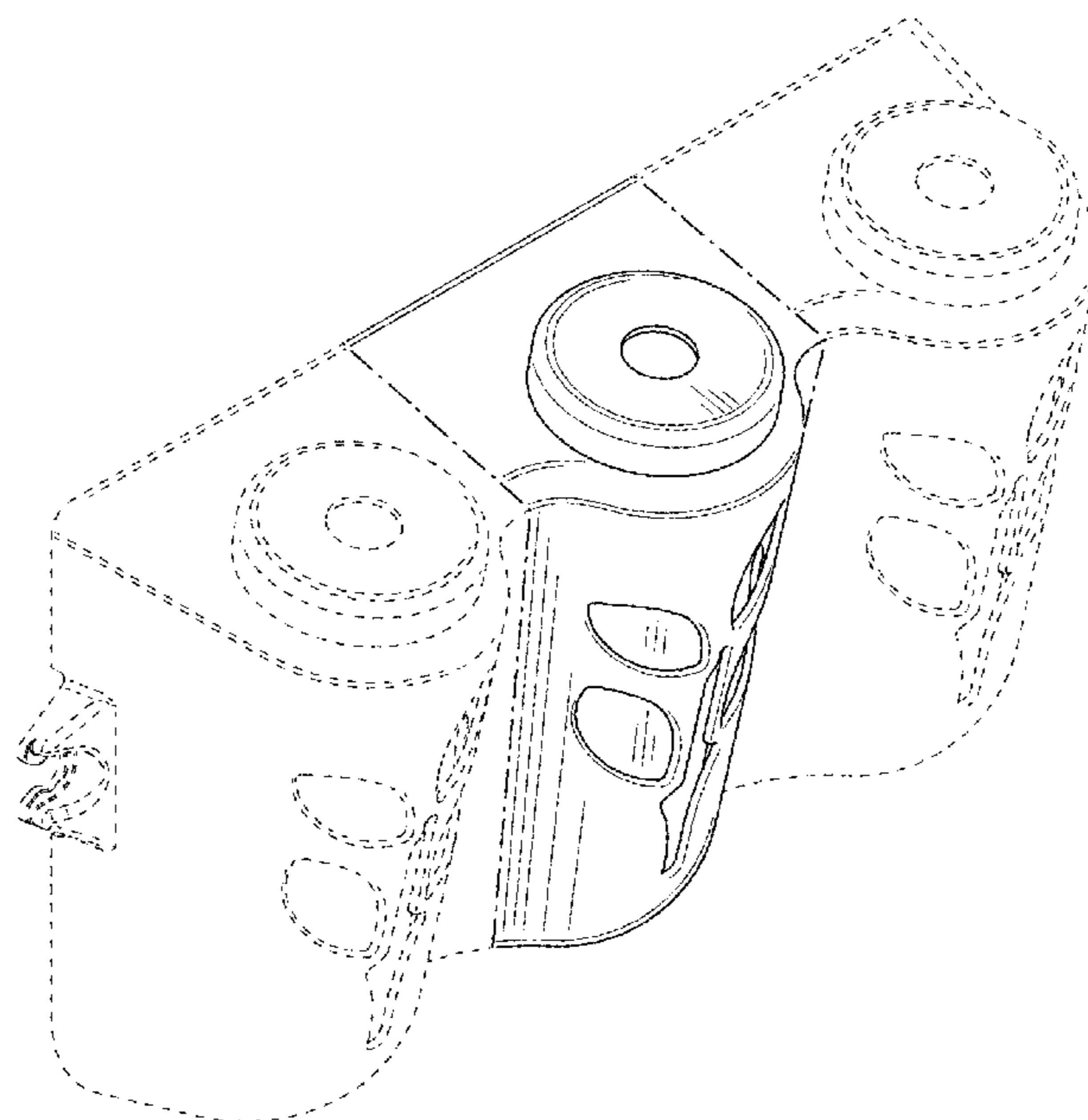
(56) **References Cited**

U.S. PATENT DOCUMENTS

4,014,134 A 3/1977 Womack, Jr.
D287,346 S * 12/1986 Bussell D11/151
D323,133 S * 1/1992 Newmark D11/152
5,367,823 A 11/1994 Ferris
D357,886 S * 5/1995 Fuller D11/152
D445,062 S * 7/2001 Wong D11/147
D525,166 S * 7/2006 Cordeiro D11/143

FIG. 1 is a perspective view of an herb rack, showing my new design;
FIG. 2 is a front view of FIG. 1;
FIG. 3 is a rear view of FIG. 1;
FIG. 4 is a left-side view of FIG. 1;
FIG. 5 is a right-side view of FIG. 1;
FIG. 6 is a top view of FIG. 1; and,
FIG. 7 is a bottom view FIG. 1.
The broken lines in the drawings depict portions of the herb rack that form no part of the claimed design.

1 Claim, 4 Drawing Sheets



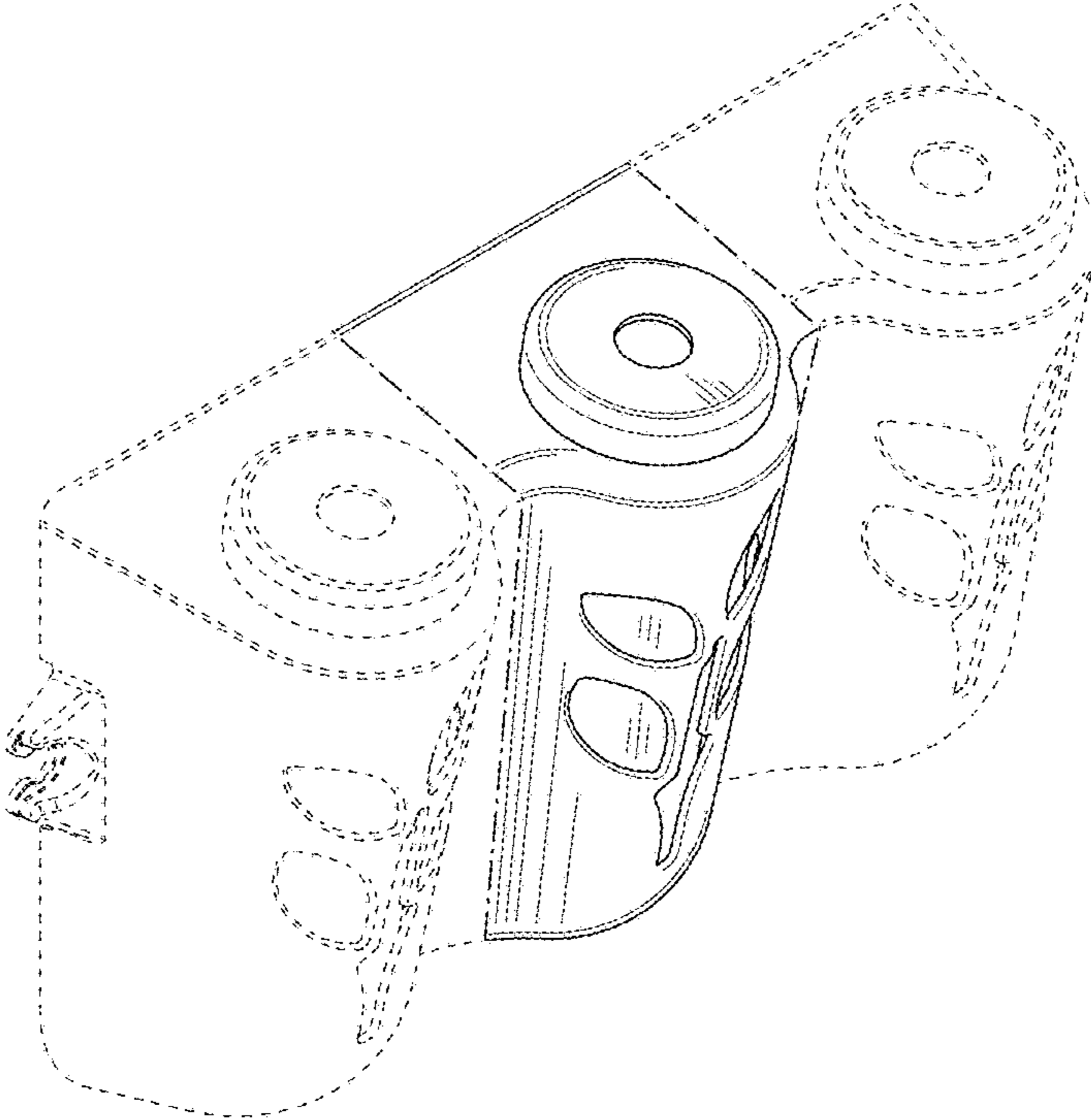


FIG. 1

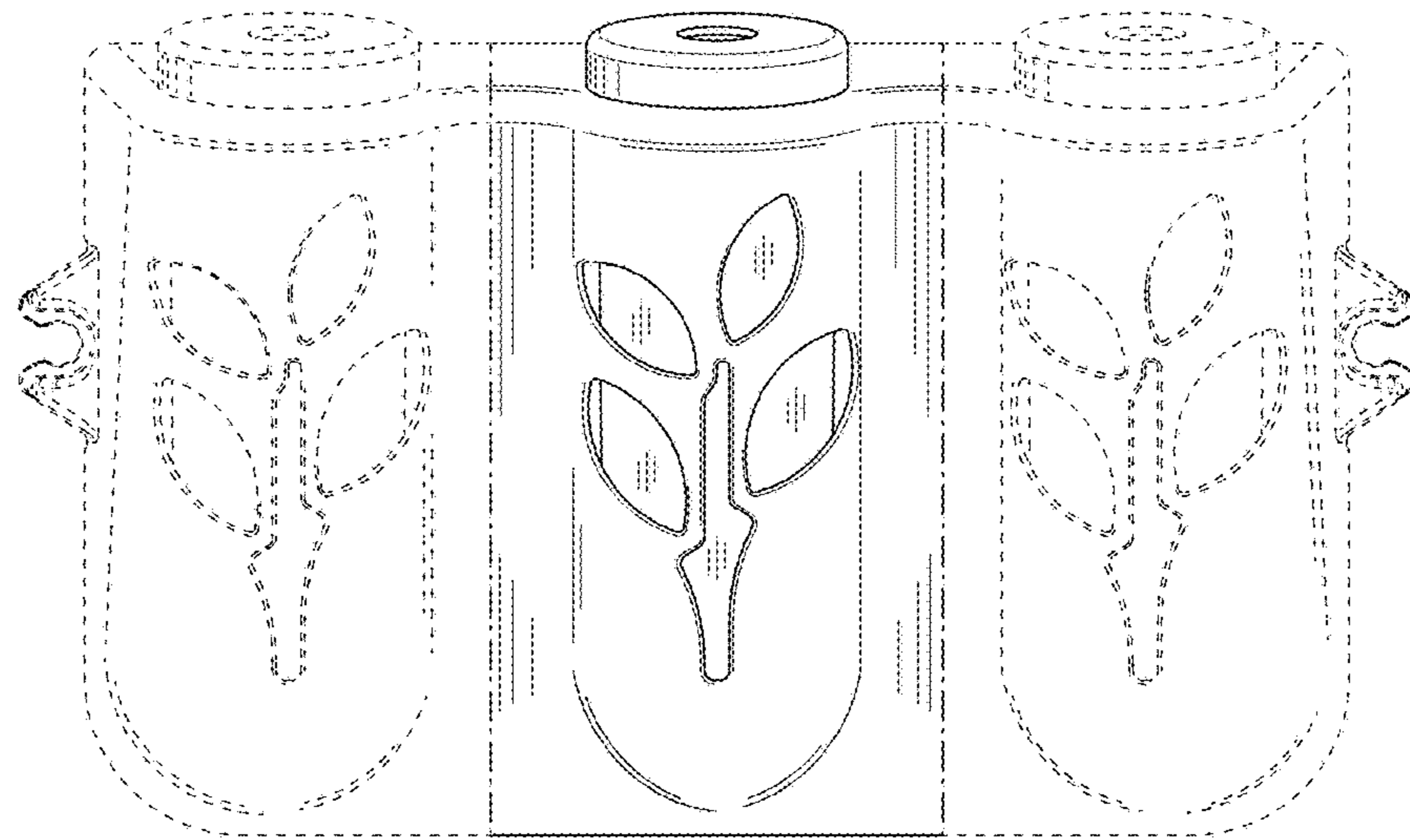


FIG. 2

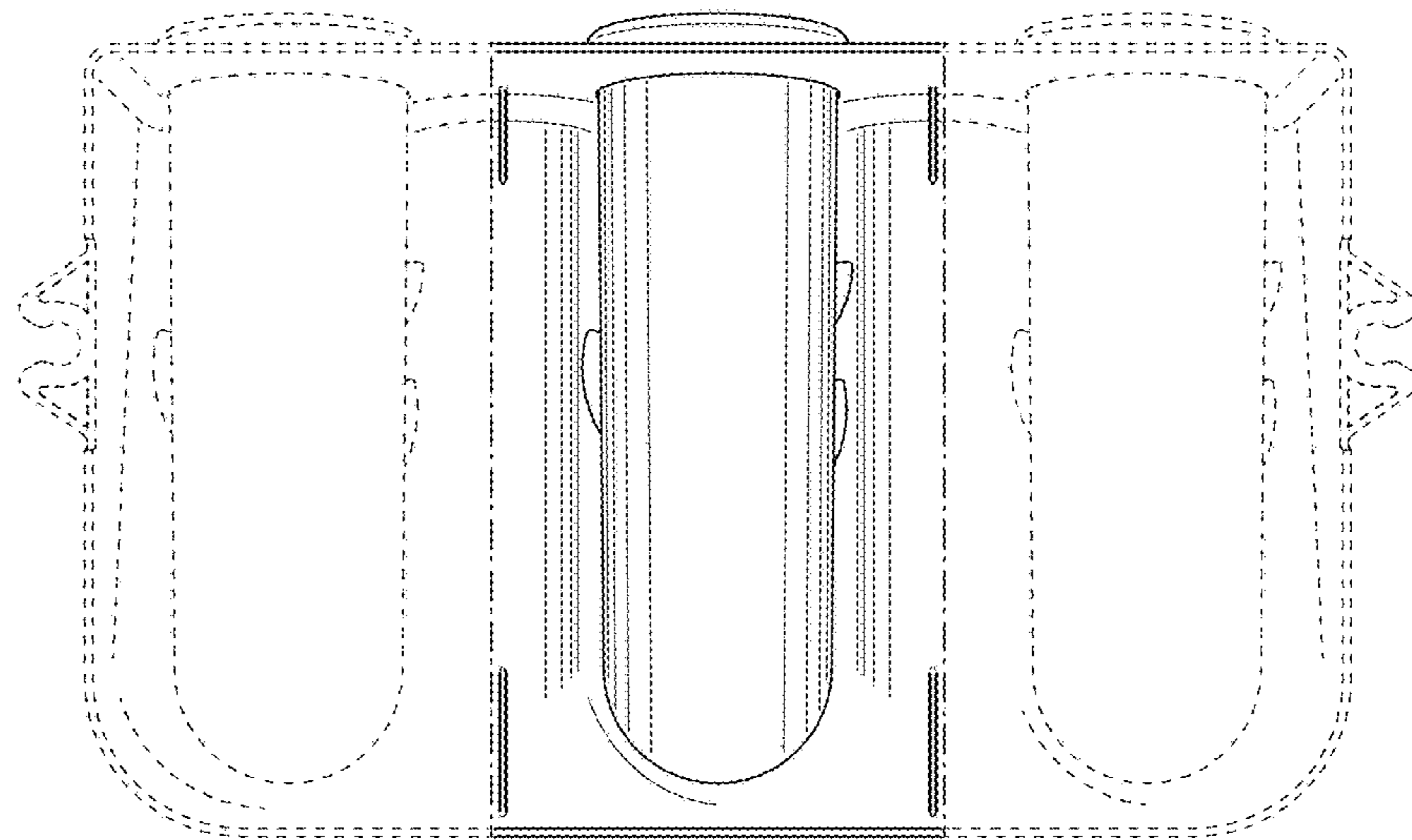


FIG. 3

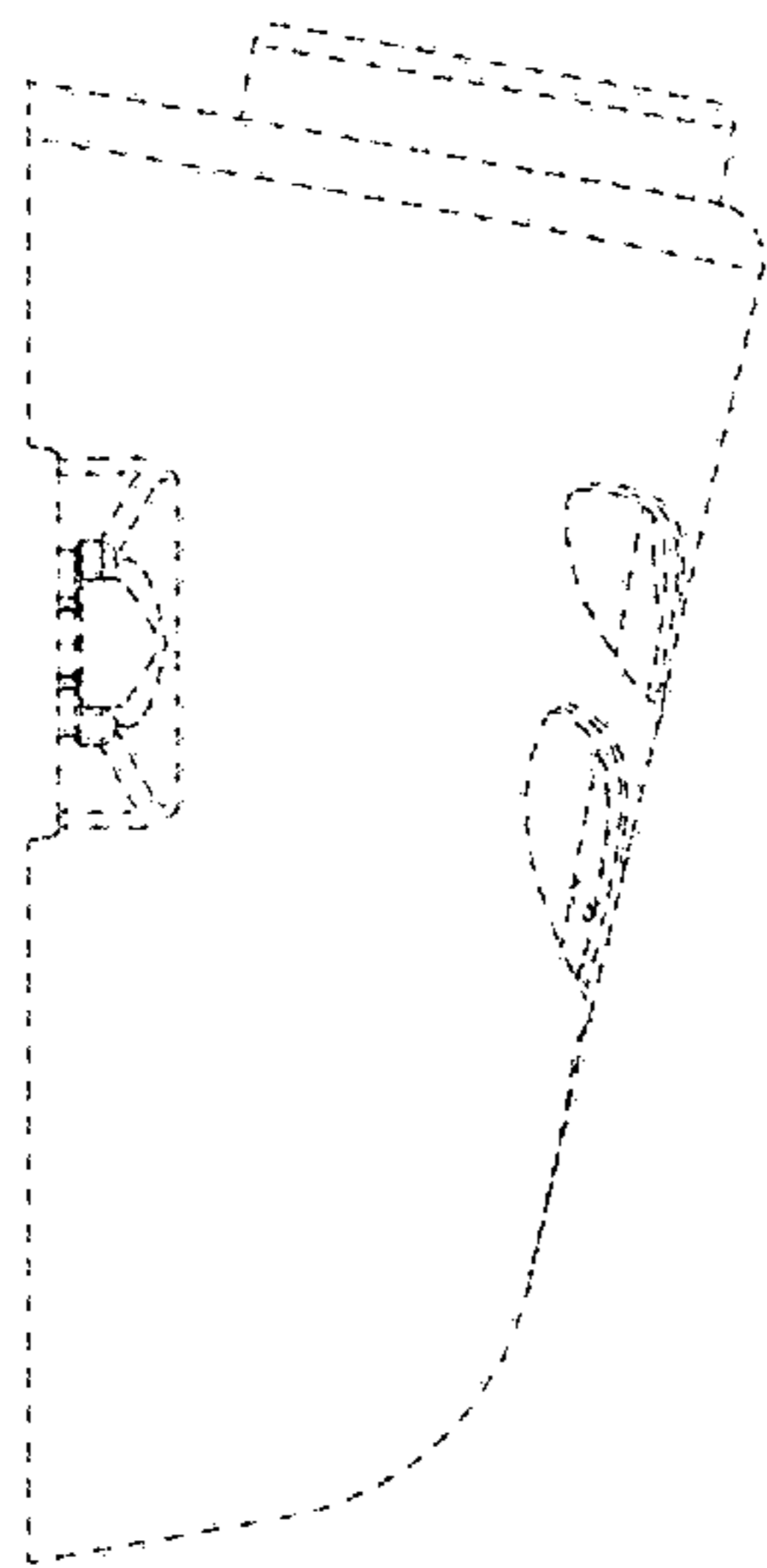


FIG. 4

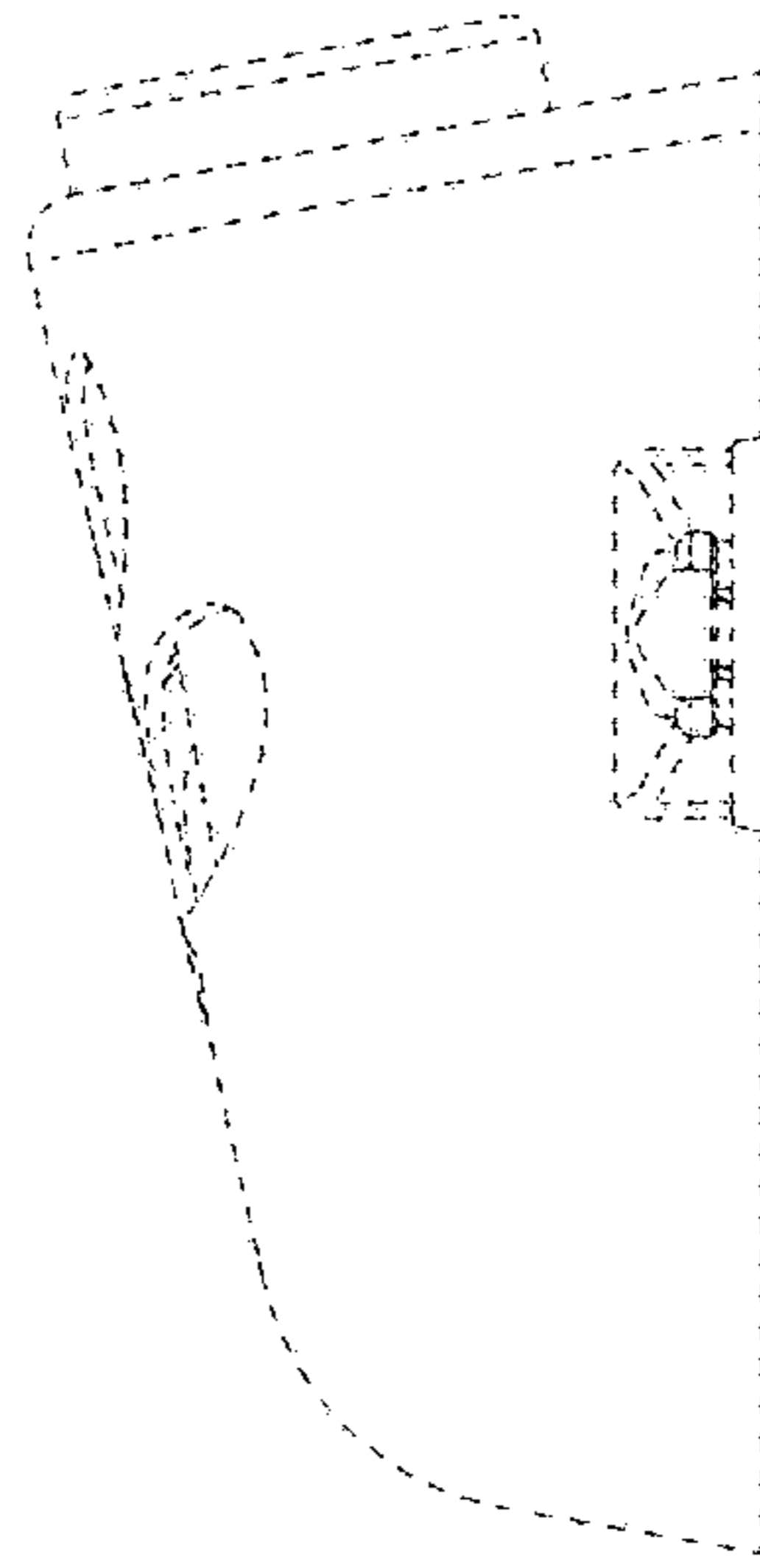


FIG. 5

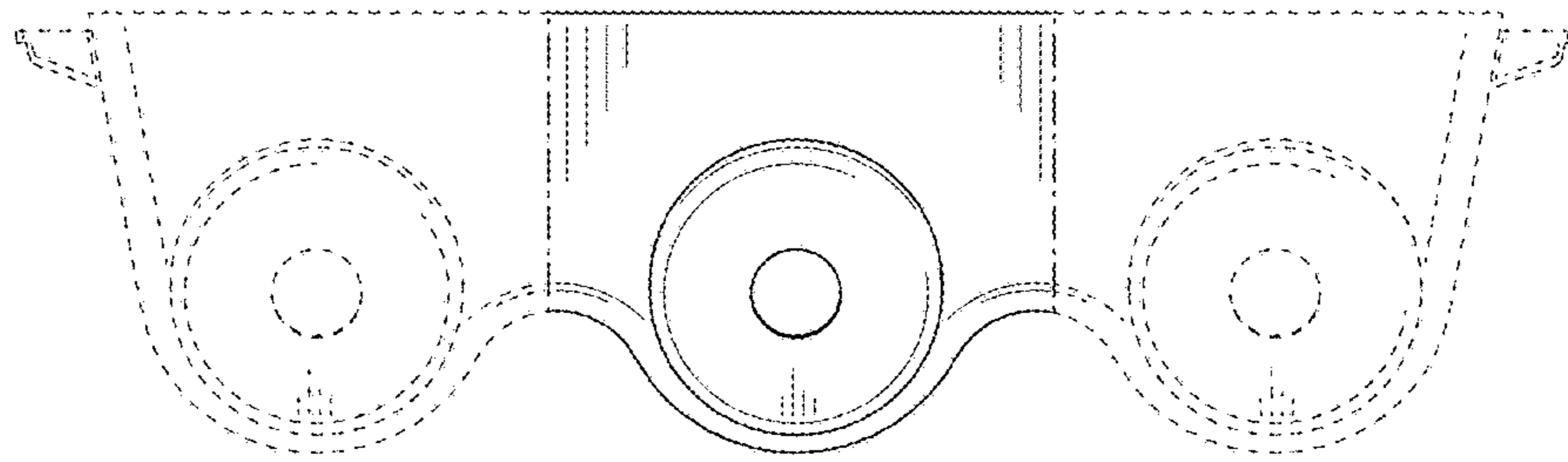


FIG. 6

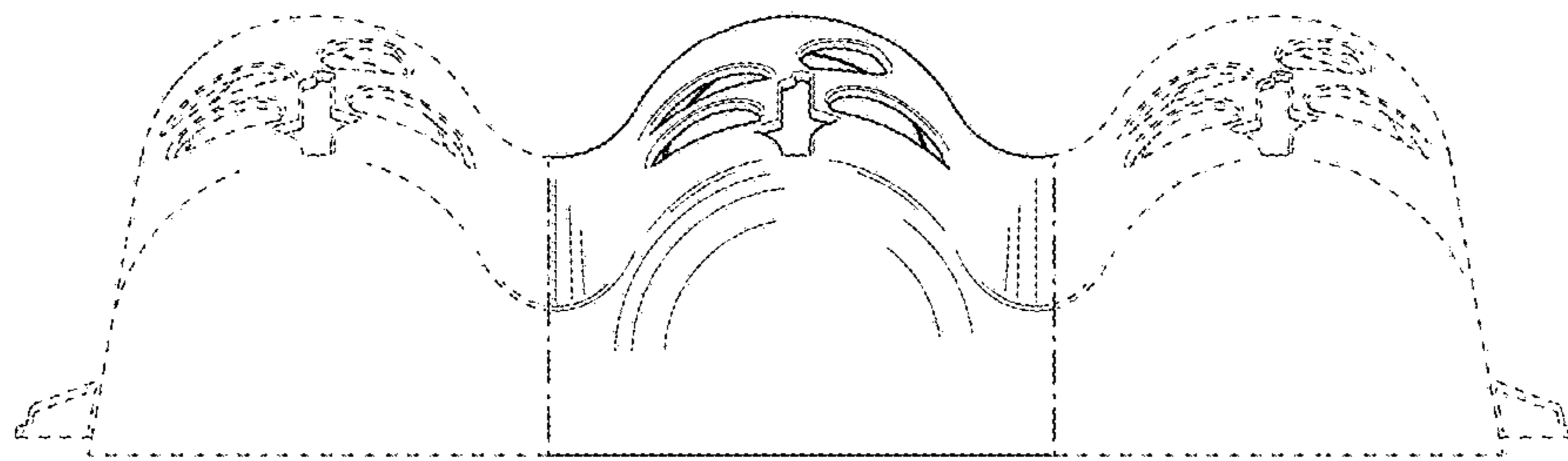


FIG. 7