



US00D848300S

(12) **United States Design Patent** (10) **Patent No.:** **US D848,300 S**
Siminoff et al. (45) **Date of Patent:** **** May 14, 2019**

(54) **DOORBELL**

(71) Applicant: **Amazon Technologies, Inc.**, Seattle, WA (US)

(72) Inventors: **Mark Siminoff**, Mountain View, CA (US); **Matthew J. England**, Santa Monica, CA (US); **Christopher Loew**, Palo Alto, CA (US)

(73) Assignee: **Amazon Technologies, Inc.**, Seattle, WA (US)

(**) Term: **15 Years**

(21) Appl. No.: **29/643,817**

(22) Filed: **Apr. 12, 2018**

(51) **LOC (11) Cl.** **10-05**

(52) **U.S. Cl.**
USPC **D10/118.2**

(58) **Field of Classification Search**
USPC D10/118.2
See application file for complete search history.

(56) **References Cited**

U.S. PATENT DOCUMENTS

D789,820 S * 6/2017 Siminoff D10/118.2
D817,207 S * 5/2018 Scalisi D10/118.2
(Continued)

Primary Examiner — George D. Kirschbaum
(74) *Attorney, Agent, or Firm* — Lee & Hayes, P.C.

(57) **CLAIM**

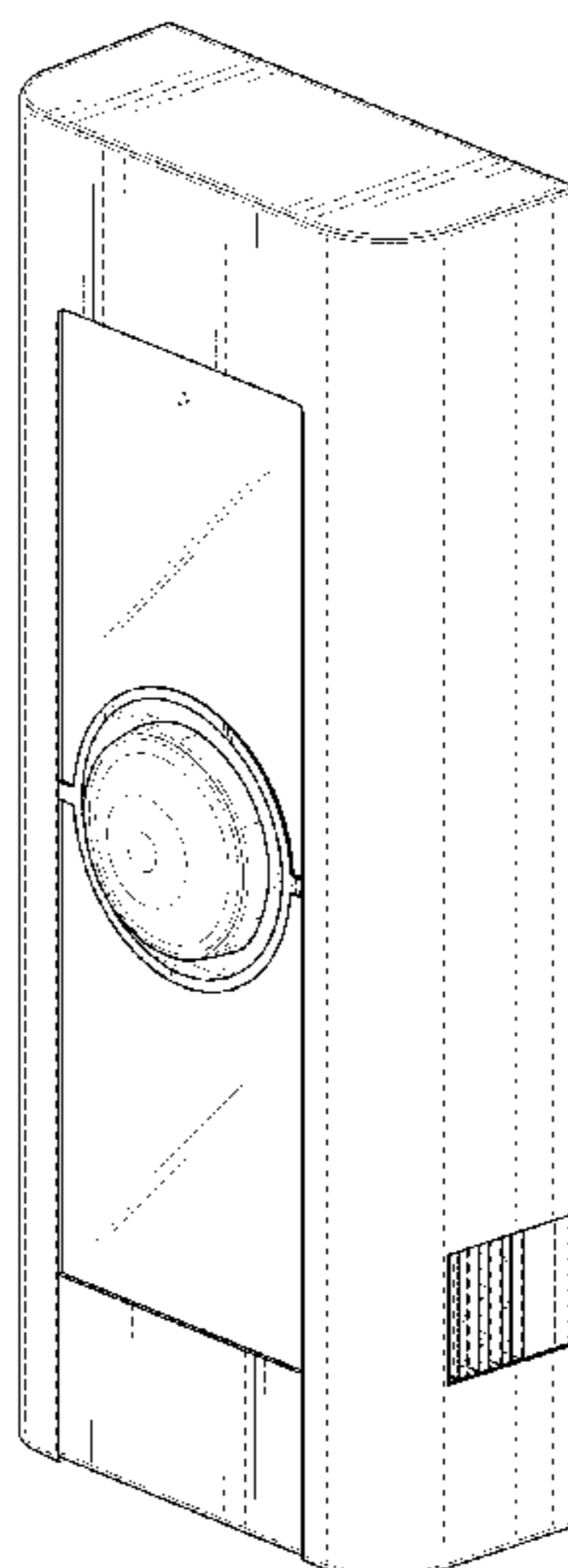
The ornamental design for a doorbell, as shown and described.

DESCRIPTION

FIG. 1 is a front, right, top perspective view of a first embodiment of a doorbell showing our new design;

FIG. 2 is a rear, left, bottom perspective view thereof;
FIG. 3 is a rear, right, top perspective view thereof;
FIG. 4 is a front elevation view thereof;
FIG. 5 is a rear elevation view thereof;
FIG. 6 is a left-side elevation view thereof;
FIG. 7 is a right-side elevation view thereof;
FIG. 8 is a top plan view thereof;
FIG. 9 is a bottom plan view thereof;
FIG. 10 is a front, right, top perspective view of a second embodiment of a doorbell showing our new design;
FIG. 11 is a rear, left, bottom perspective view thereof;
FIG. 12 is a rear, right, top perspective view thereof;
FIG. 13 is a front elevation view thereof;
FIG. 14 is a rear elevation view thereof;
FIG. 15 is a left-side elevation view thereof;
FIG. 16 is a right-side elevation view thereof;
FIG. 17 is a top plan view thereof;
FIG. 18 is a bottom plan view thereof;
FIG. 19 is a front, right, top perspective view of a third embodiment of a doorbell showing our new design;
FIG. 20 is a rear, left, bottom perspective view thereof;
FIG. 21 is a rear, right, top perspective view thereof;
FIG. 22 is a front elevation view thereof;
FIG. 23 is a rear elevation view thereof;
FIG. 24 is a left-side elevation view thereof;
FIG. 25 is a right-side elevation view thereof;
FIG. 26 is a top plan view thereof;
FIG. 27 is a bottom plan view thereof;
FIG. 28 is a front, right, top perspective view of a fourth embodiment of a doorbell showing our new design;
FIG. 29 is a rear, left, bottom perspective view thereof;
FIG. 30 is a rear, right, top perspective view thereof;
FIG. 31 is a front elevation view thereof;
FIG. 32 is a rear elevation view thereof;
FIG. 33 is a left-side elevation view thereof;
FIG. 34 is a right-side elevation view thereof;
FIG. 35 is a top plan view thereof; and,
FIG. 36 is a bottom plan view thereof.
The broken lines shown in the drawings depict portions of the doorbell that form no part of the claimed design.

1 Claim, 36 Drawing Sheets



(56)

References Cited

U.S. PATENT DOCUMENTS

D820,706 S	*	6/2018	Siminoff	D10/118.2
D820,707 S	*	6/2018	Siminoff	D10/118.2
D822,520 S	*	7/2018	Siminoff	D10/118.2
D828,201 S	*	9/2018	Jeong	D10/118.2
D829,585 S	*	10/2018	Siminoff	D10/118.2

* cited by examiner

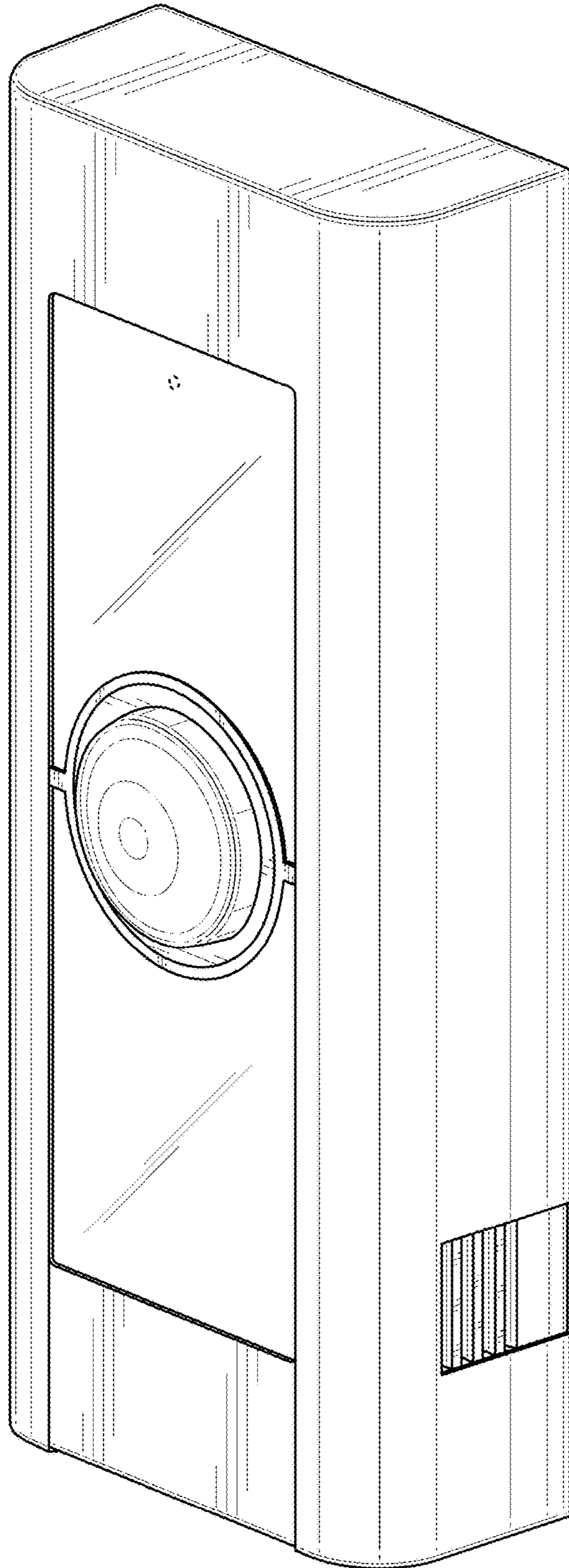


FIG. 1

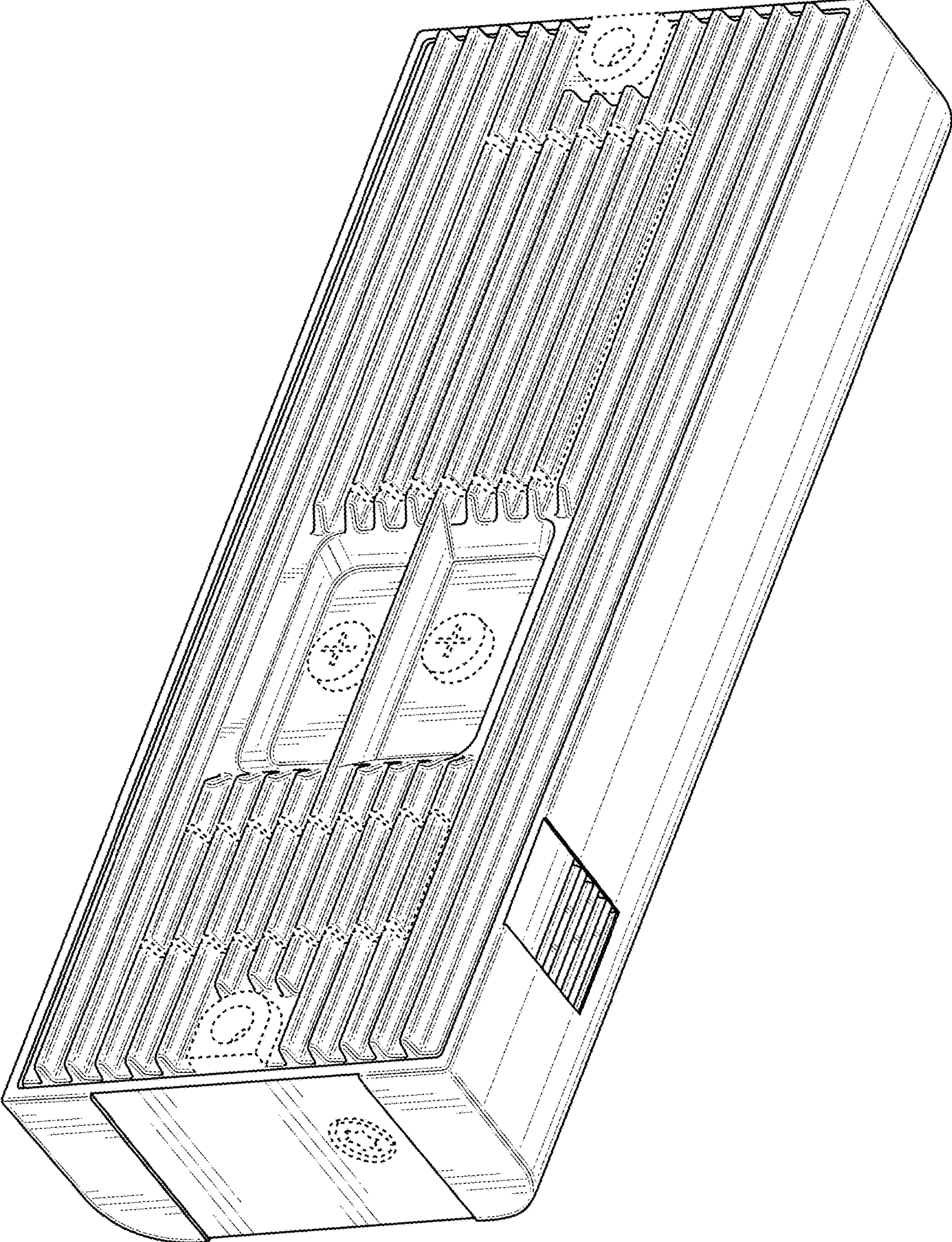


FIG. 2

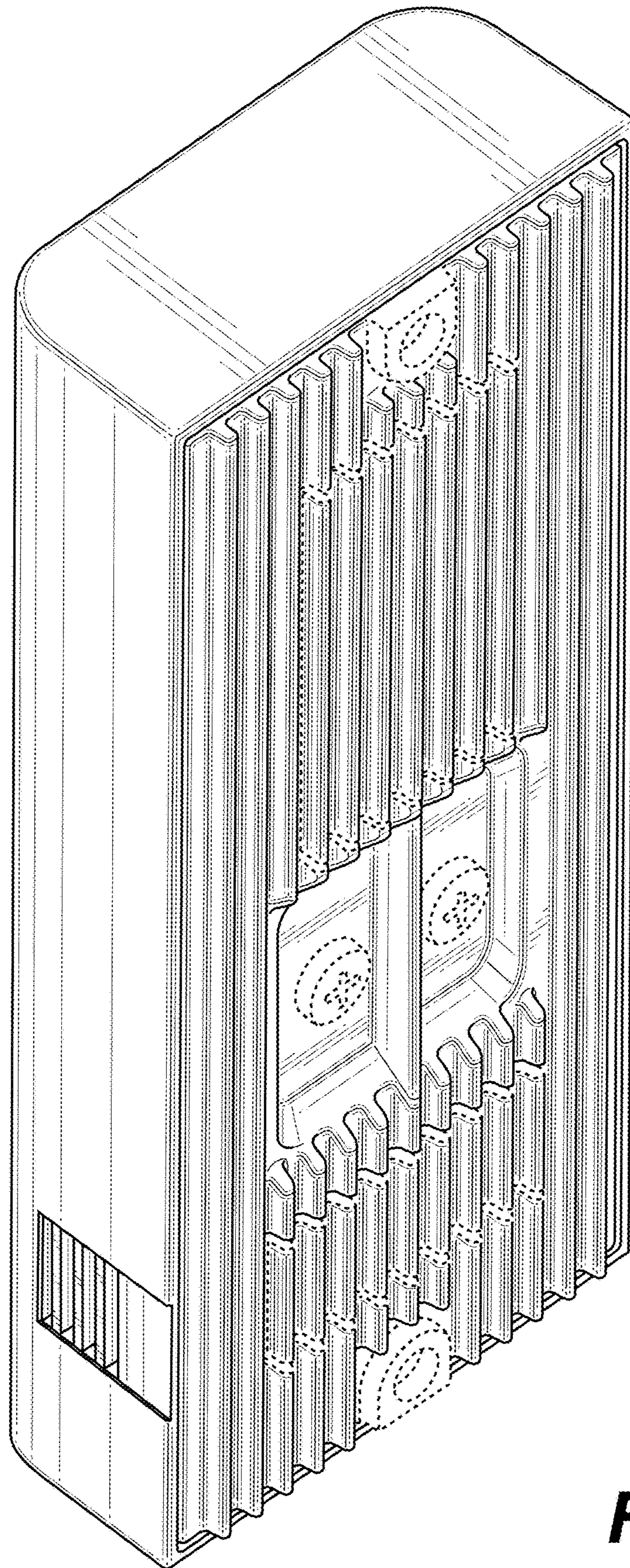


FIG. 3

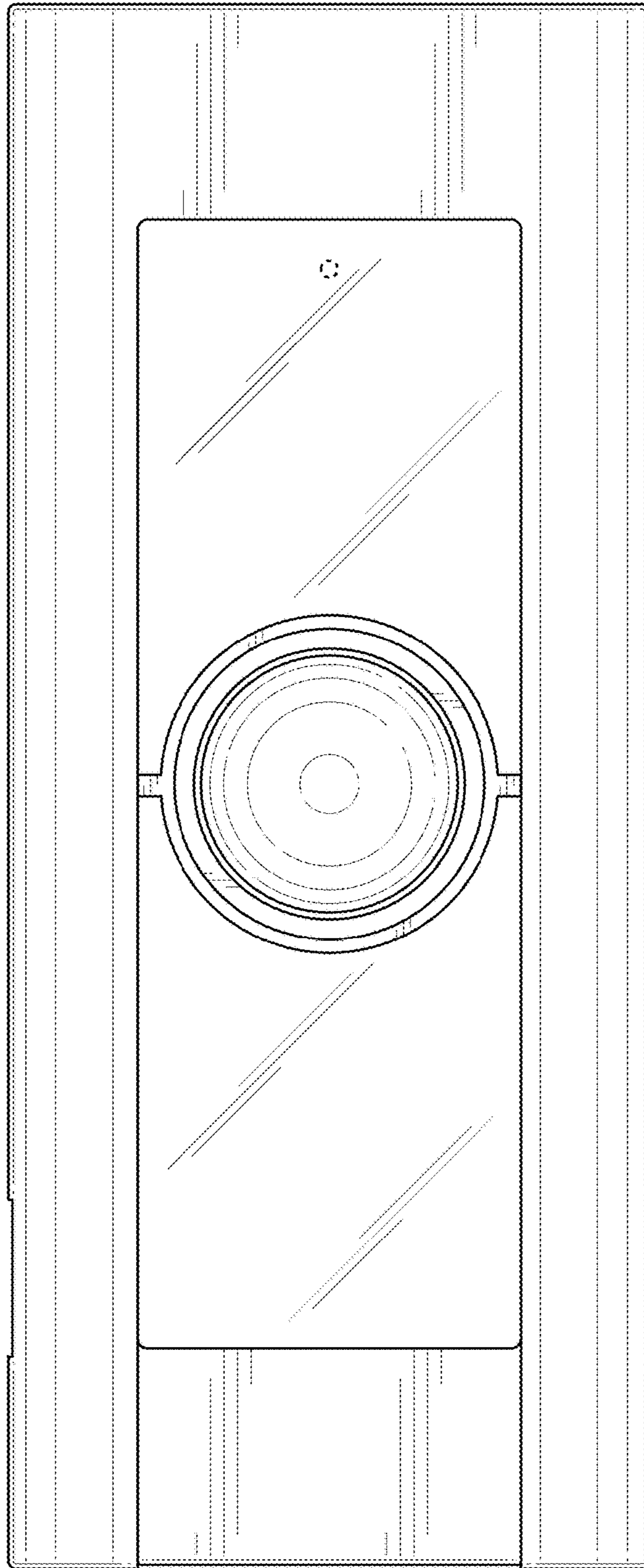


FIG. 4

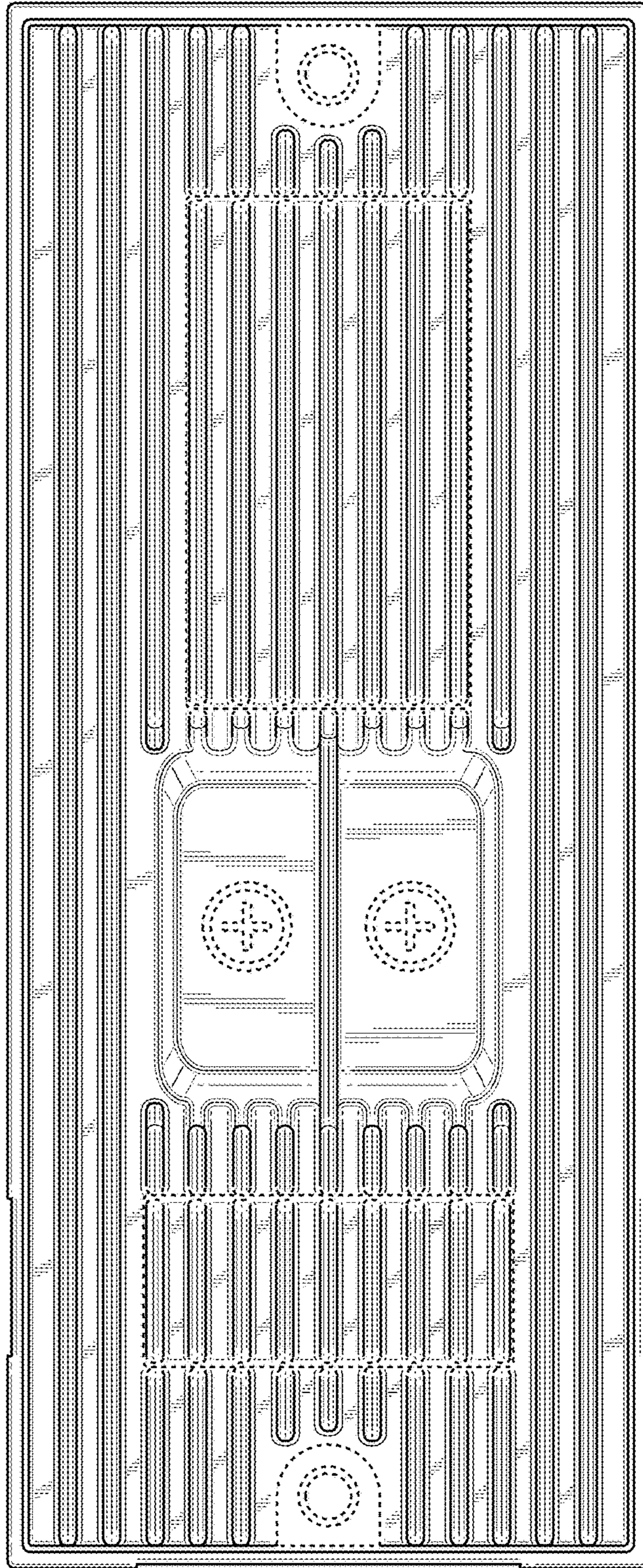


FIG. 5

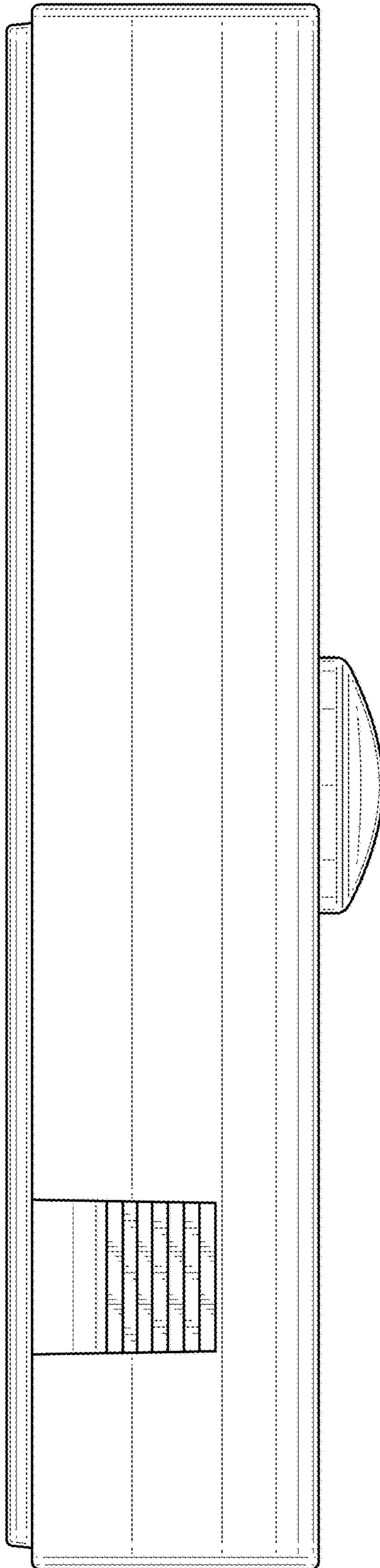


FIG. 6

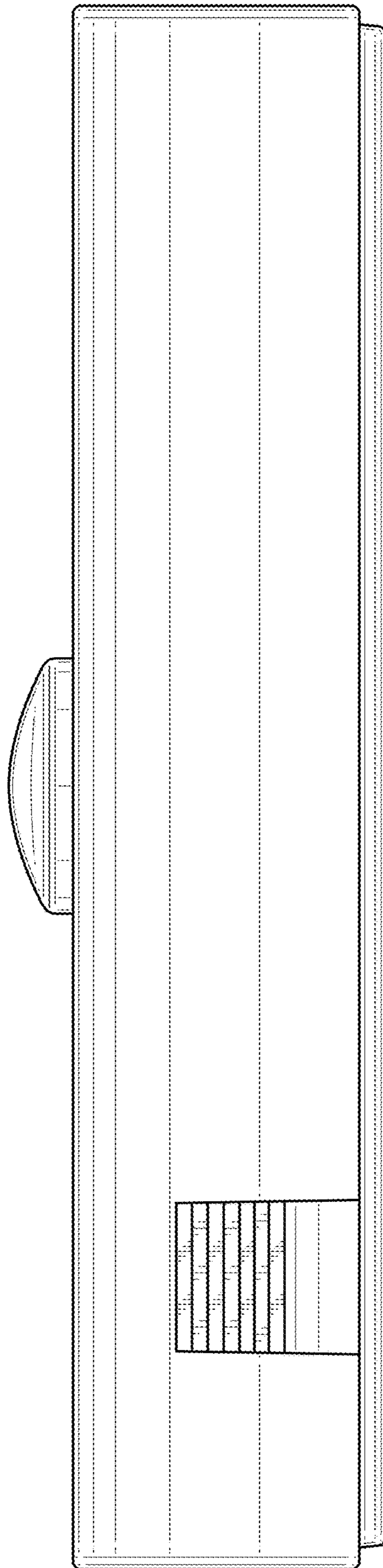


FIG. 7

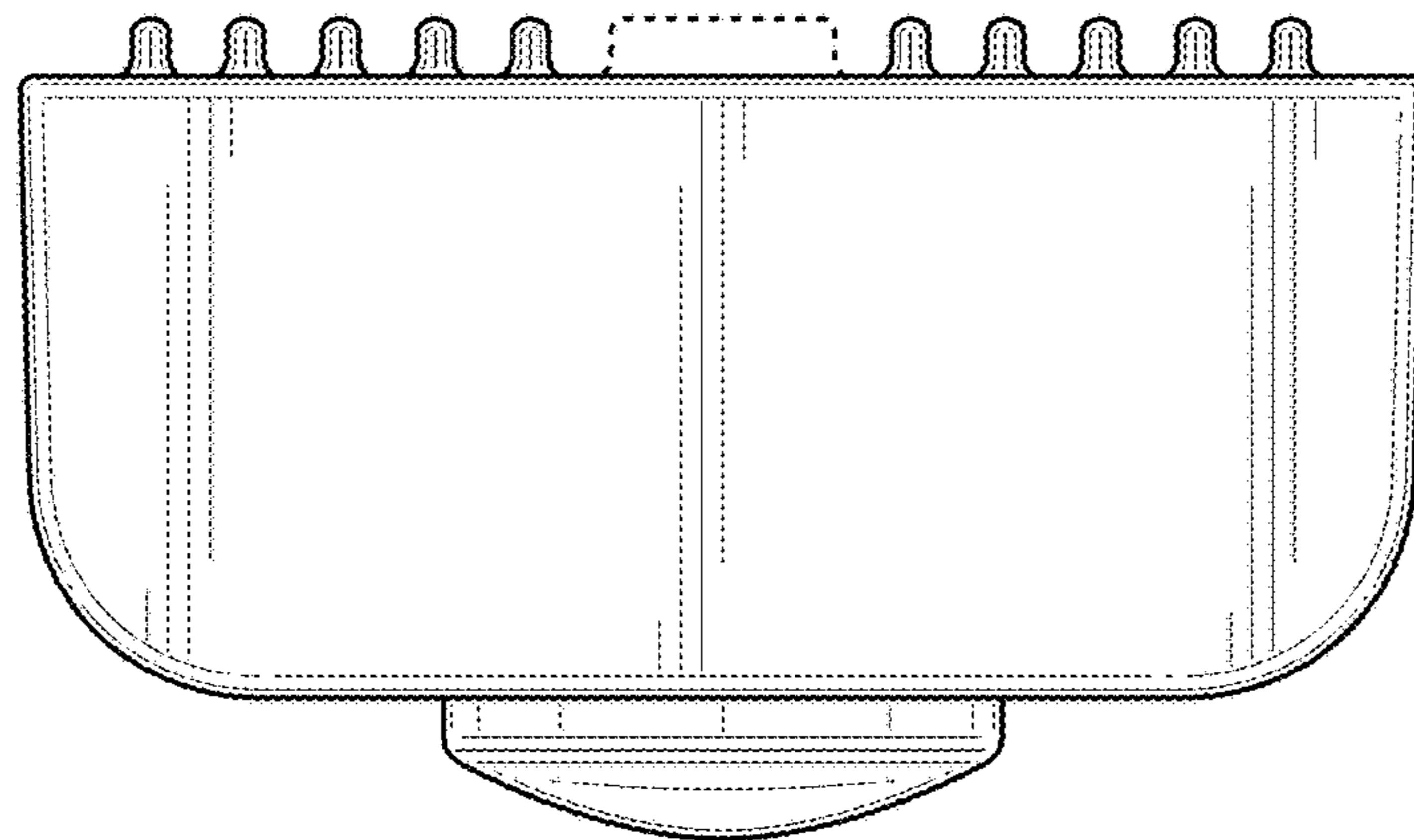


FIG. 8

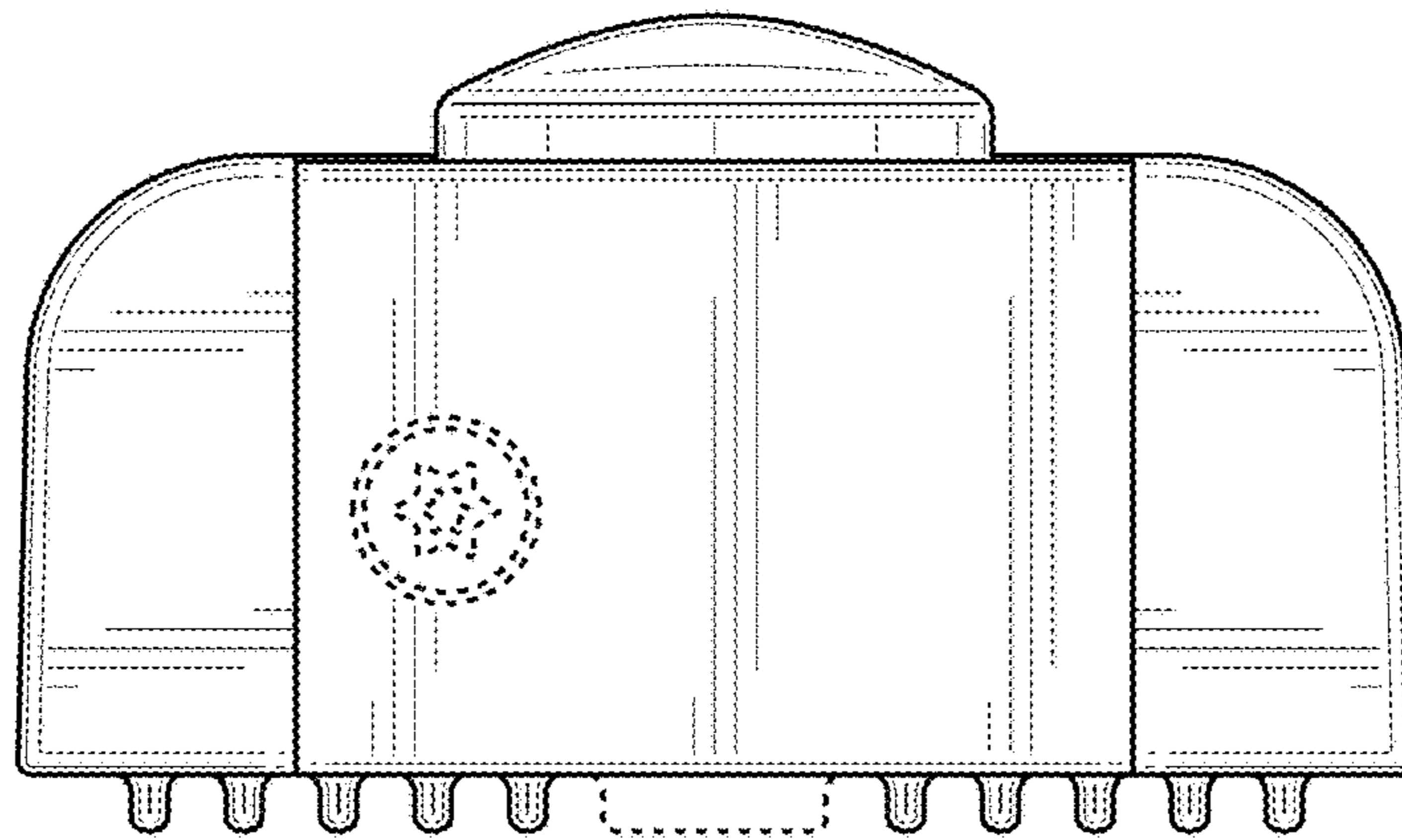


FIG. 9

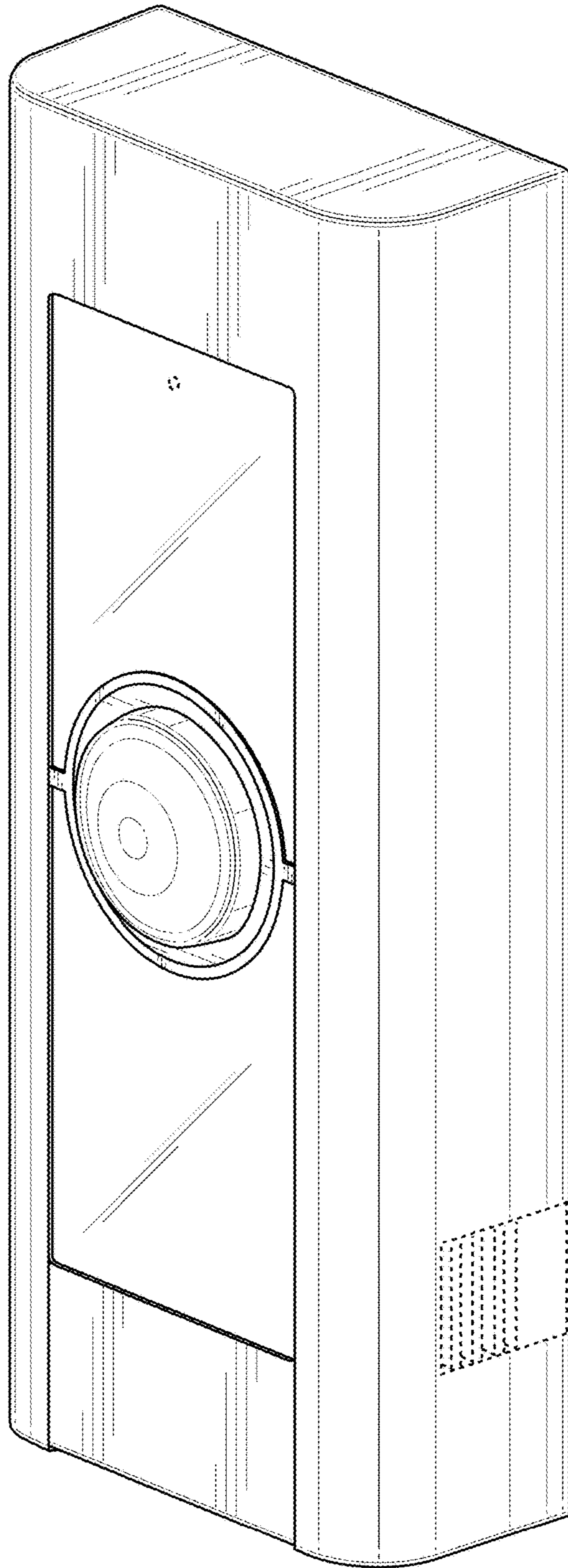


FIG. 10

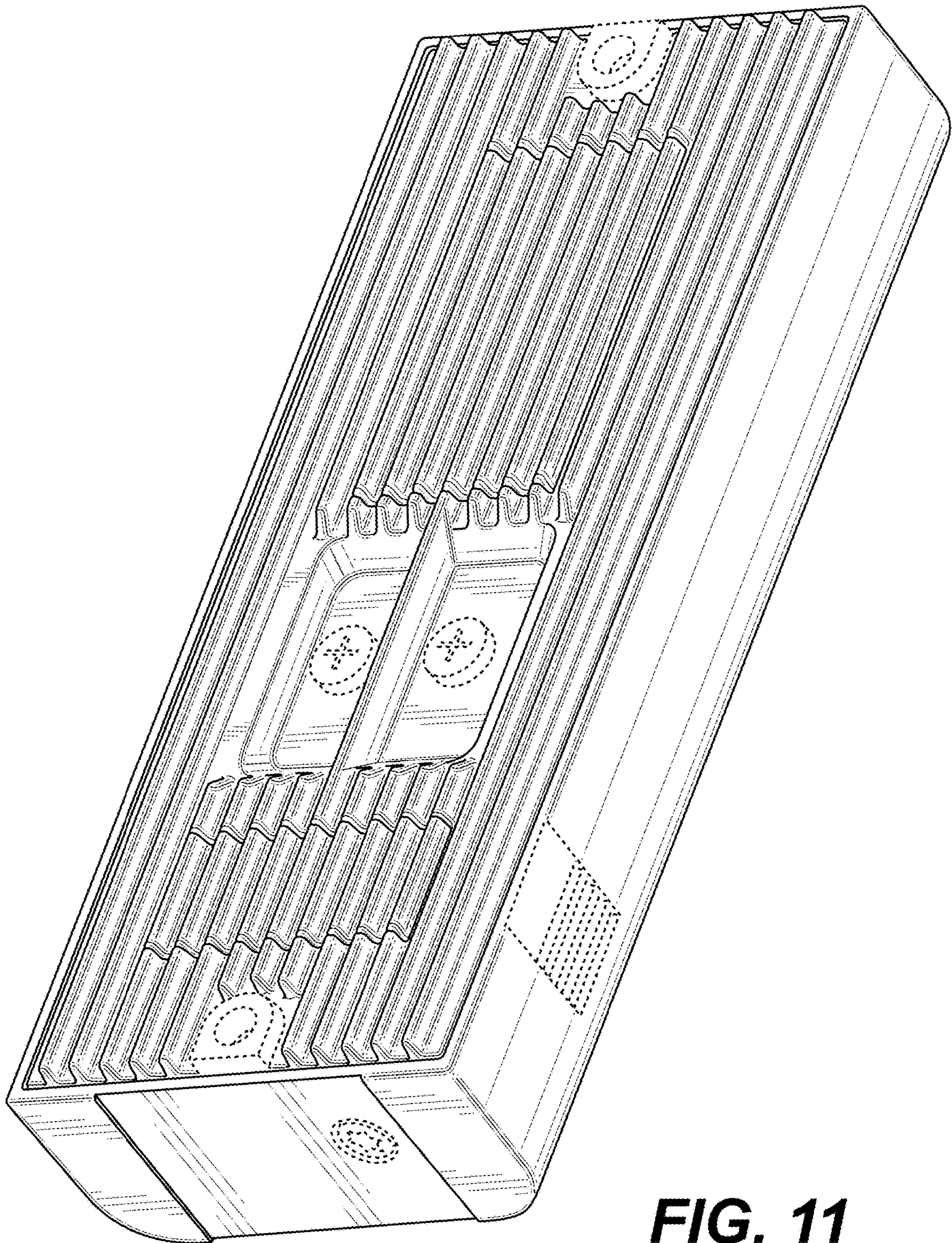


FIG. 11

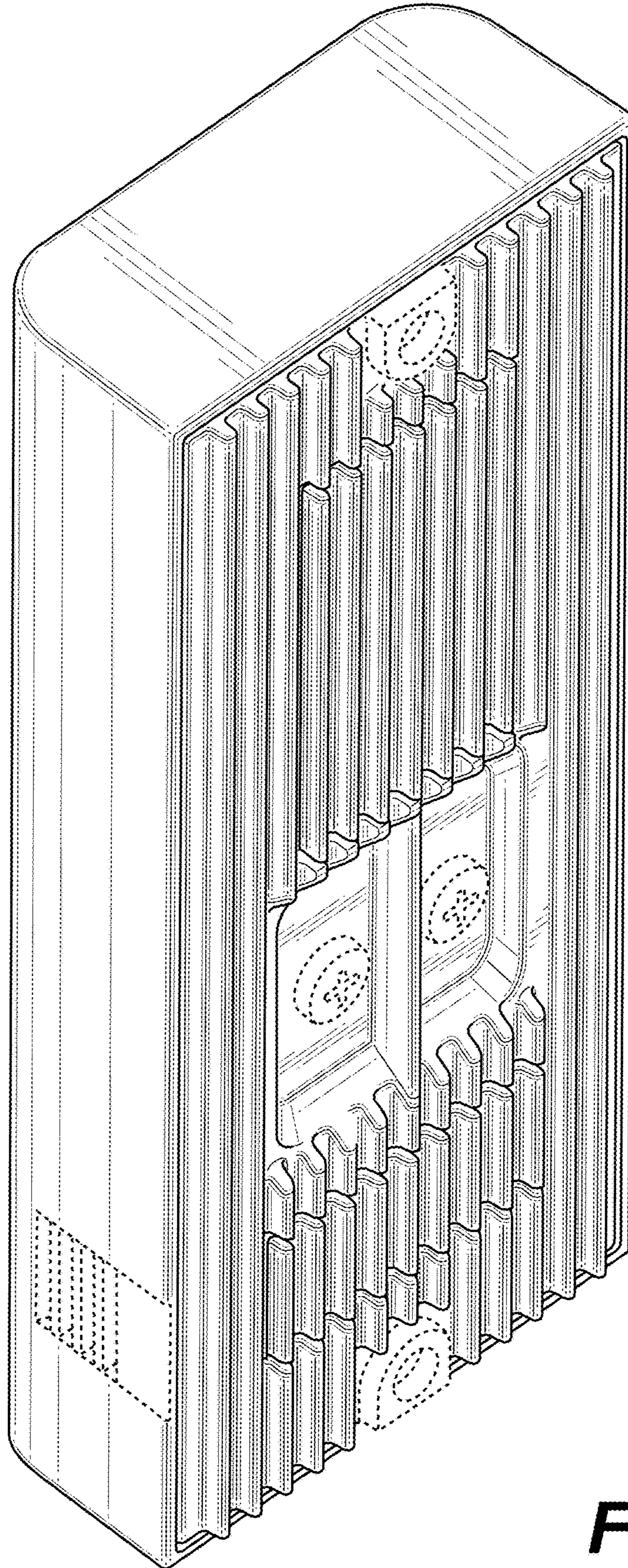


FIG. 12

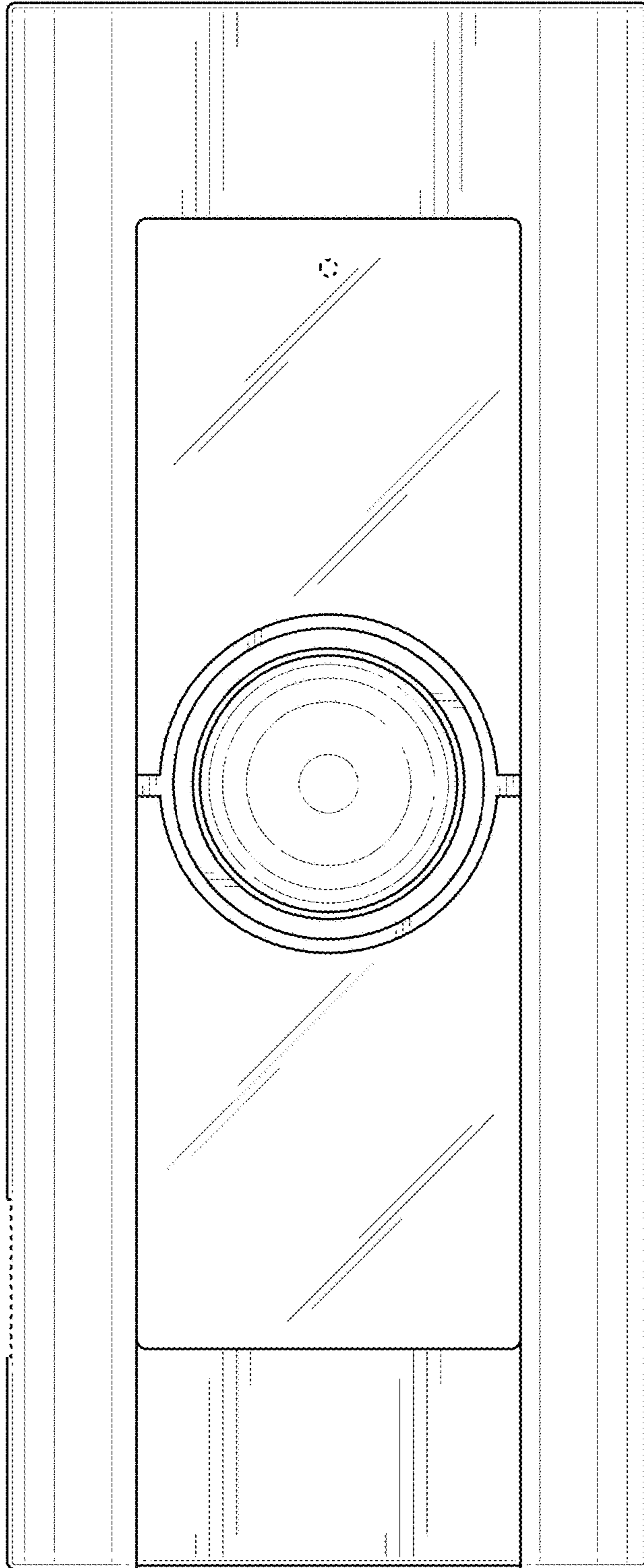


FIG. 13

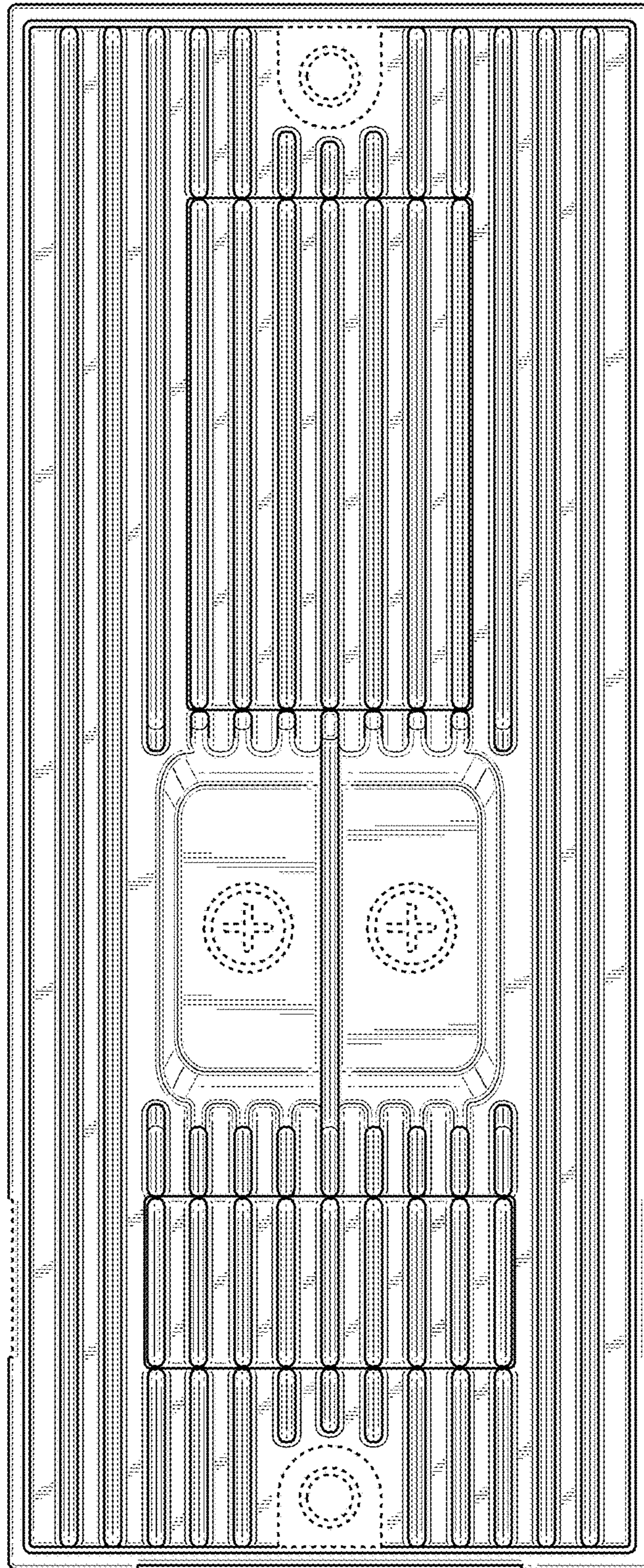


FIG. 14

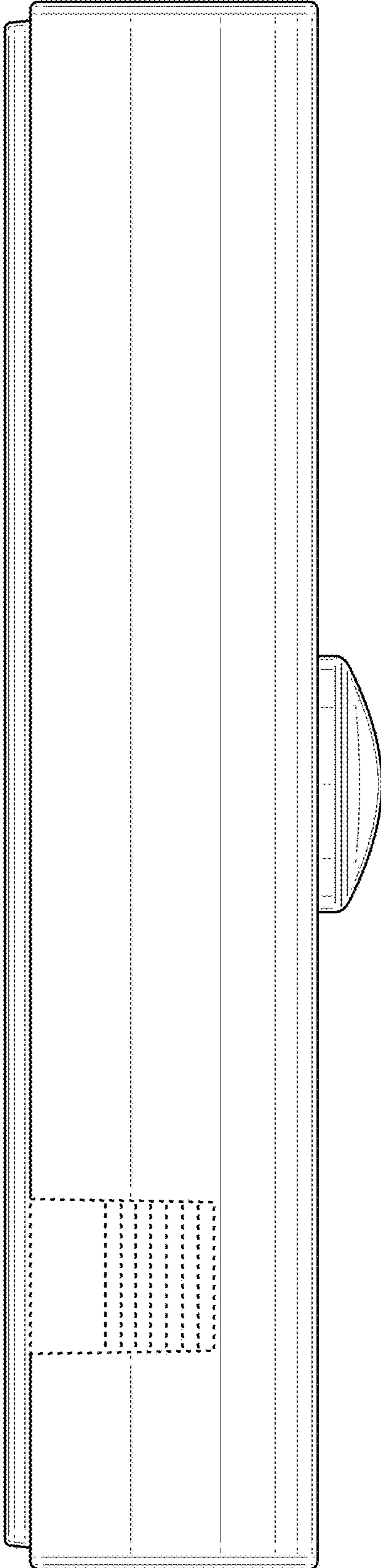


FIG. 15

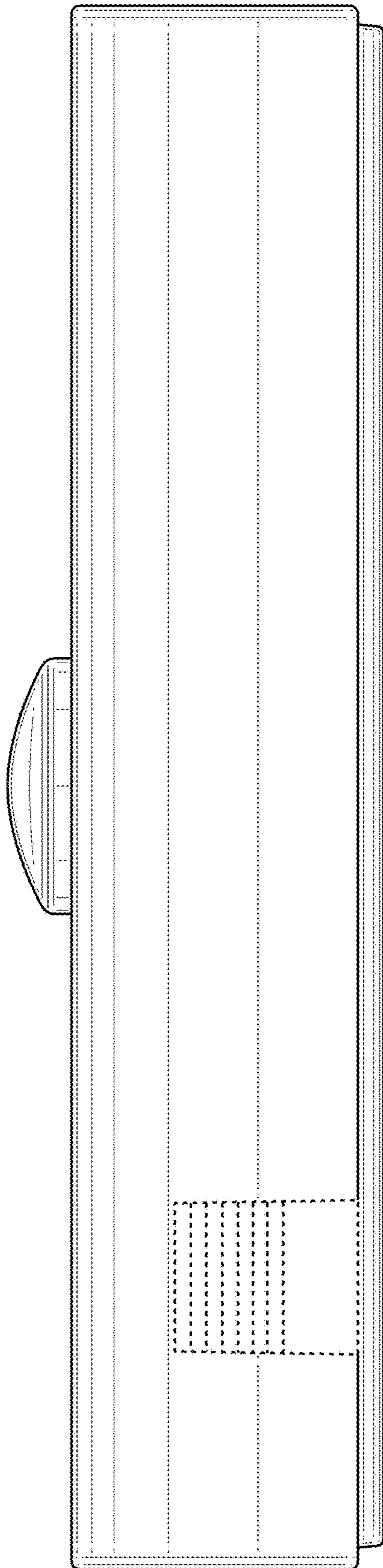


FIG. 16

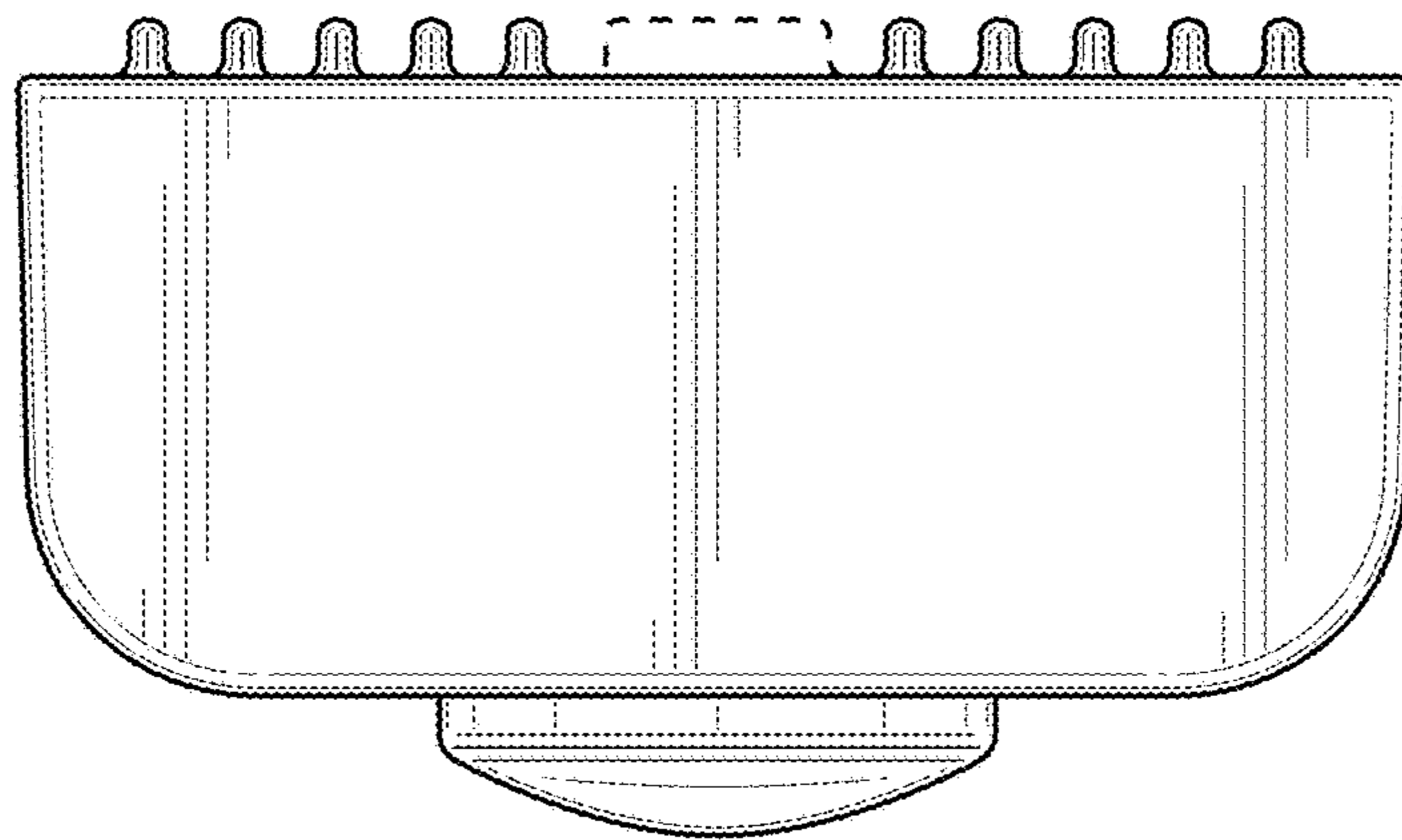


FIG. 17

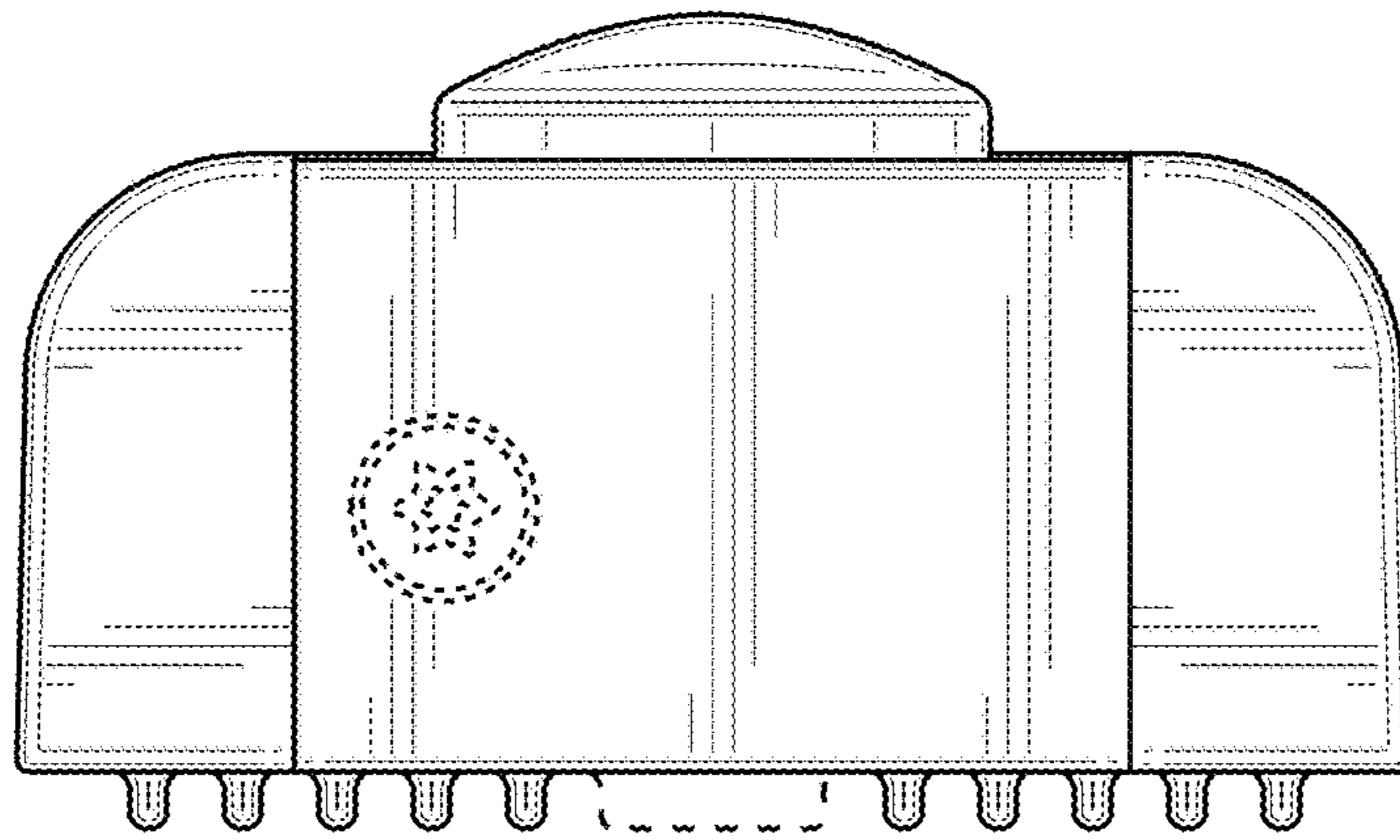


FIG. 18

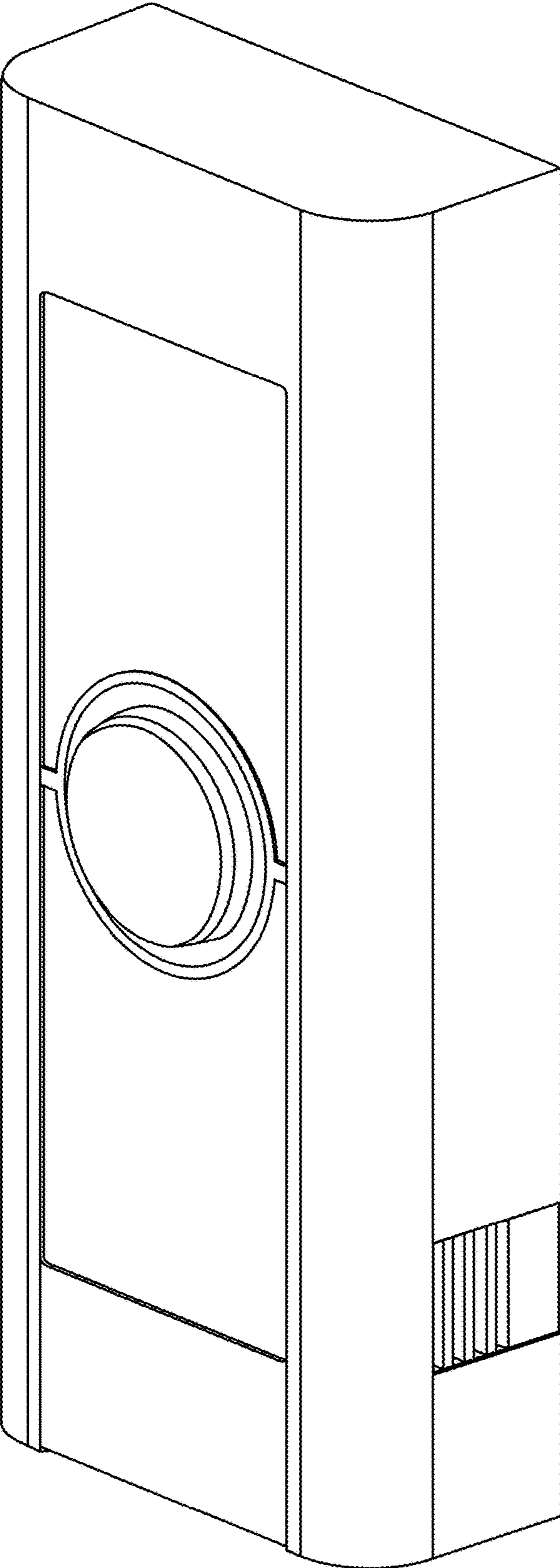


FIG. 19

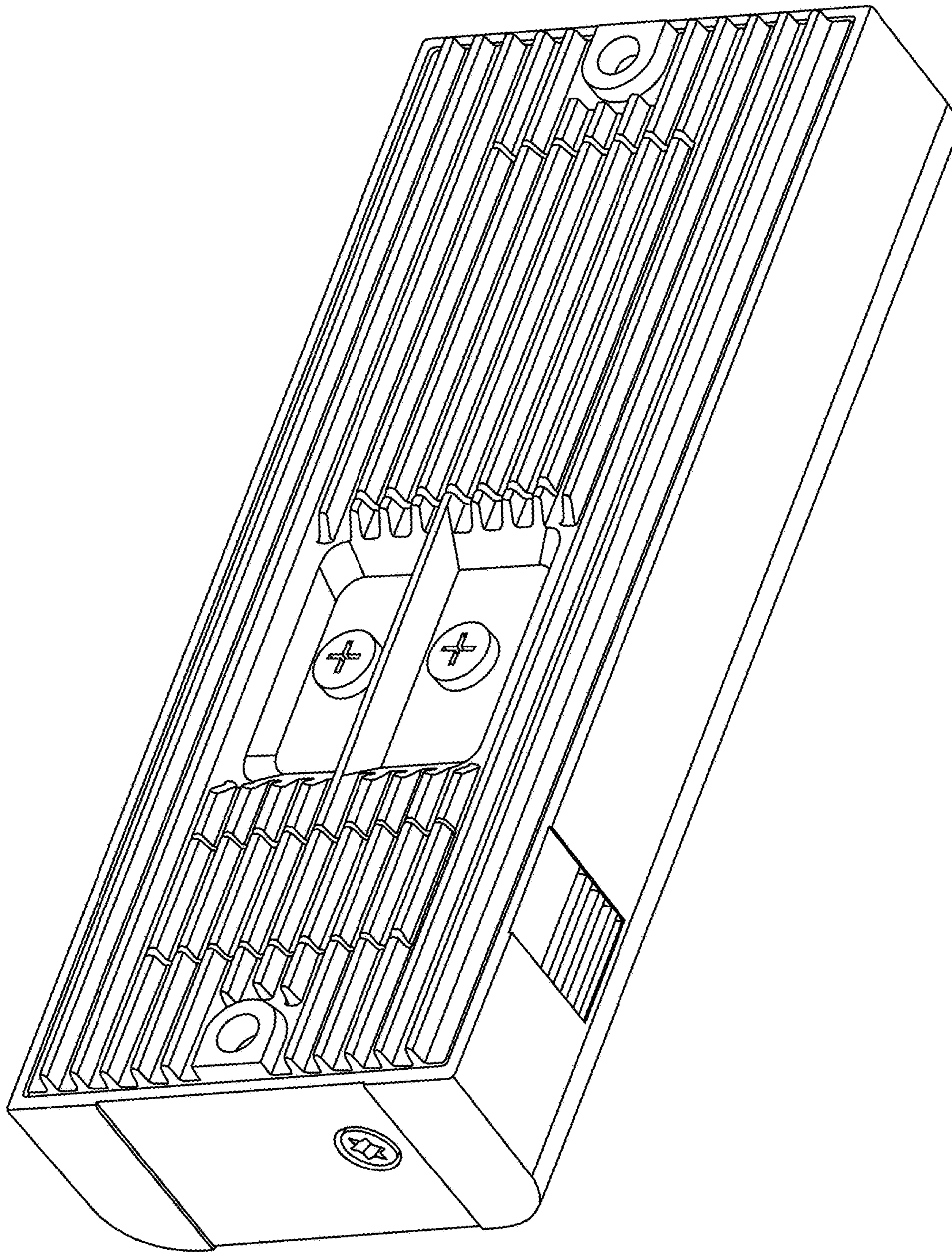


FIG. 20

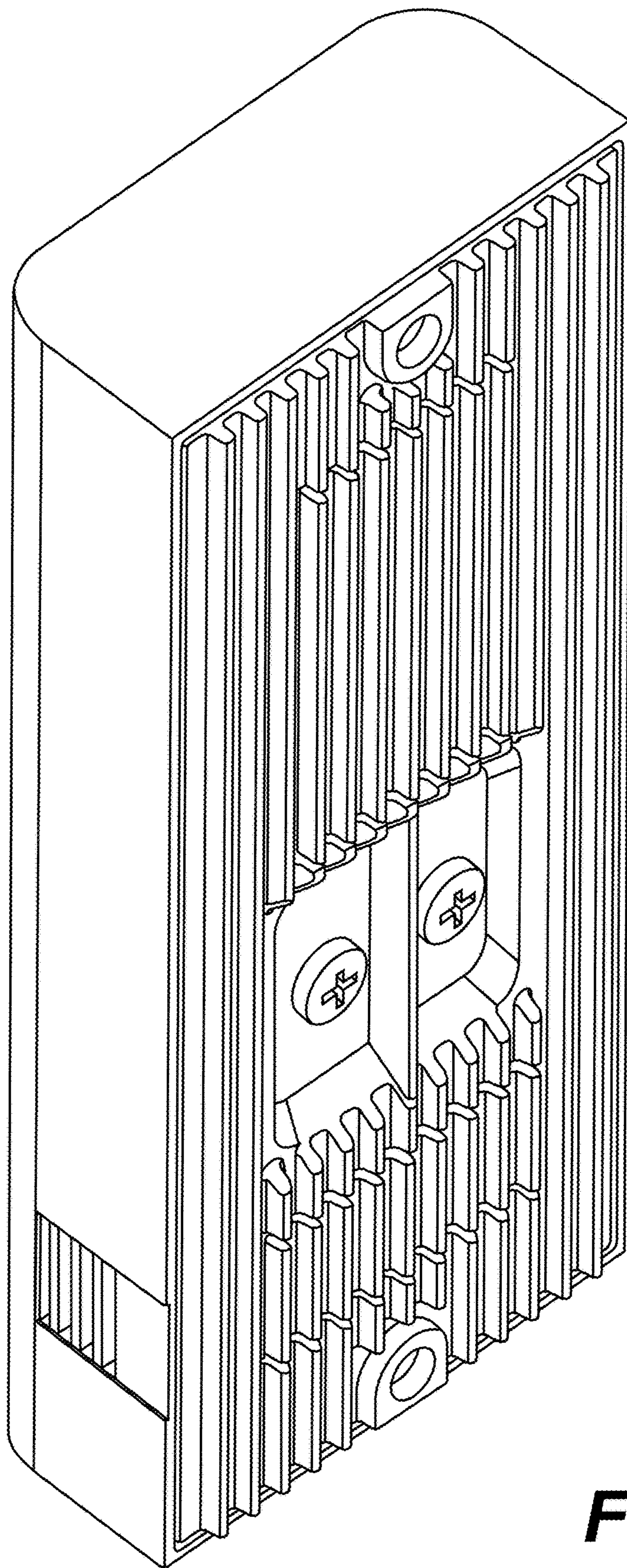


FIG. 21

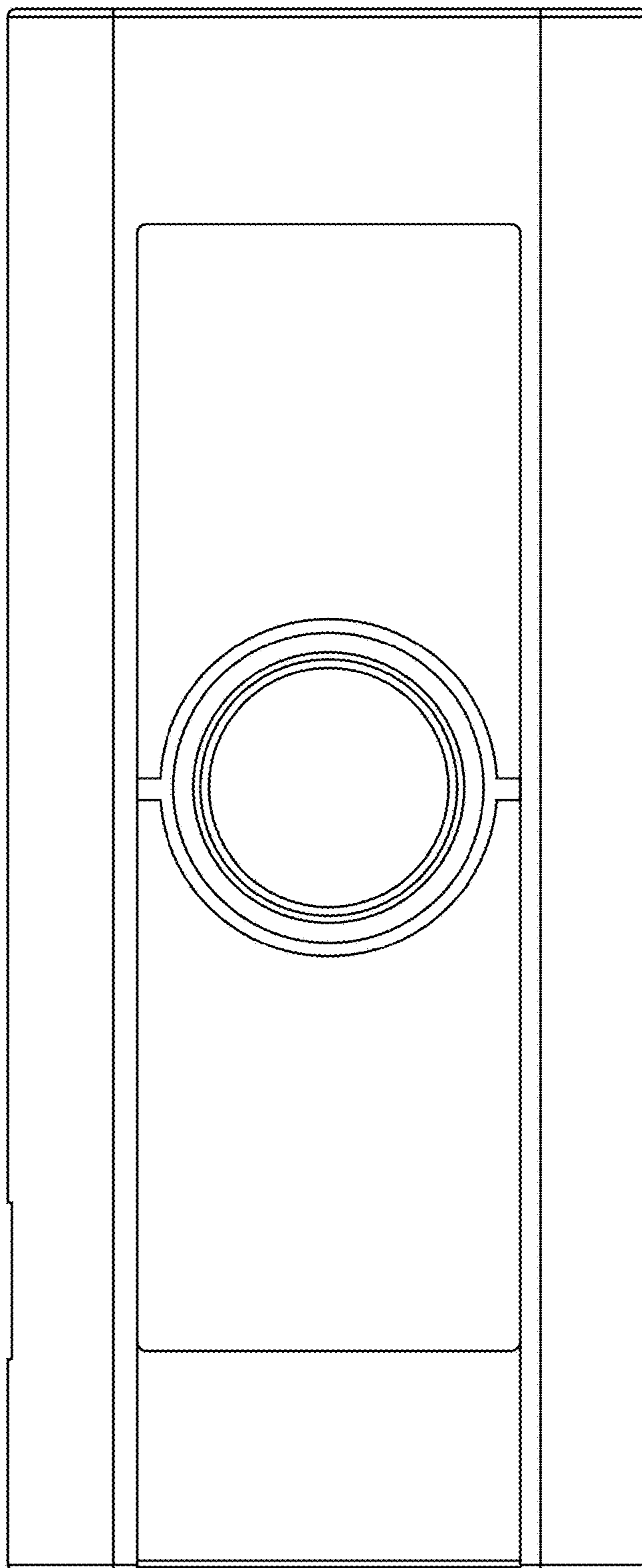


FIG. 22

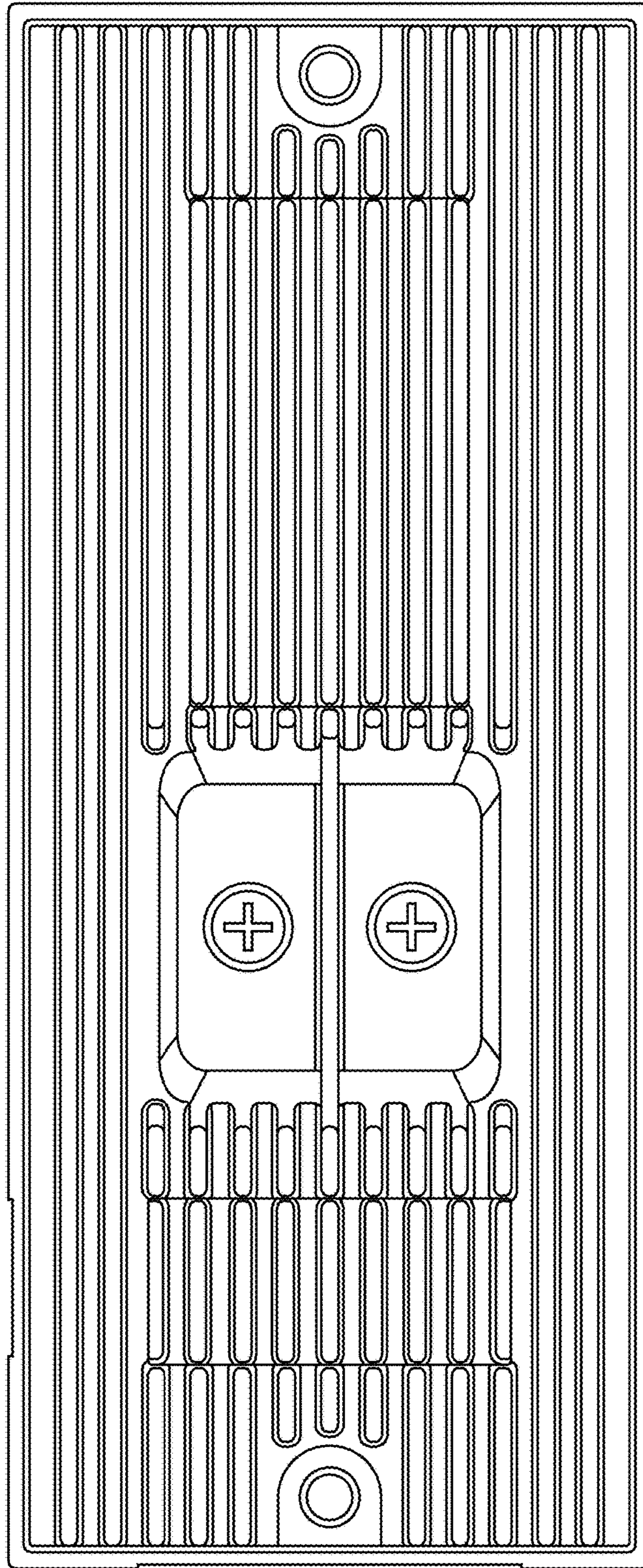


FIG. 23

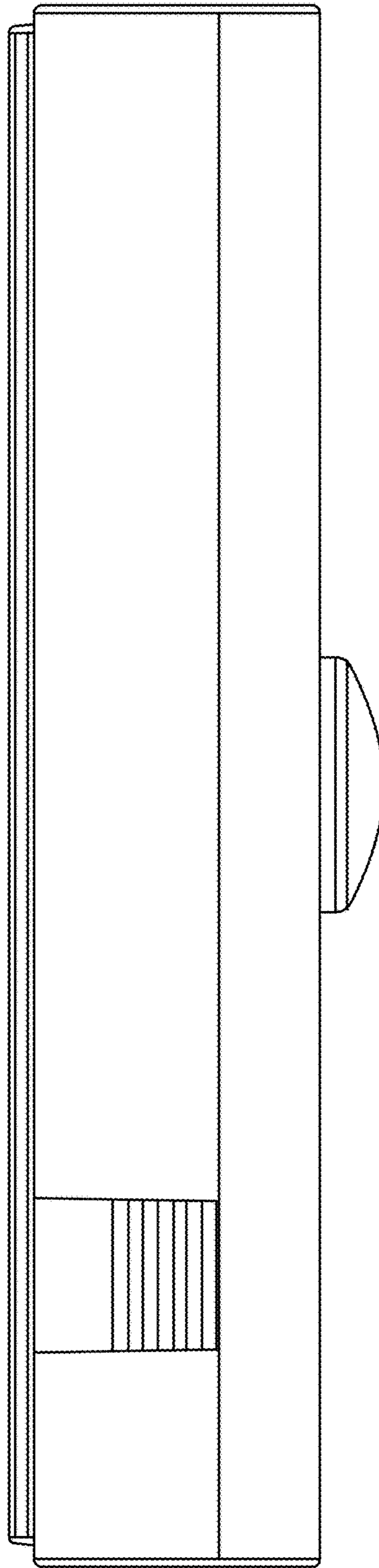


FIG. 24

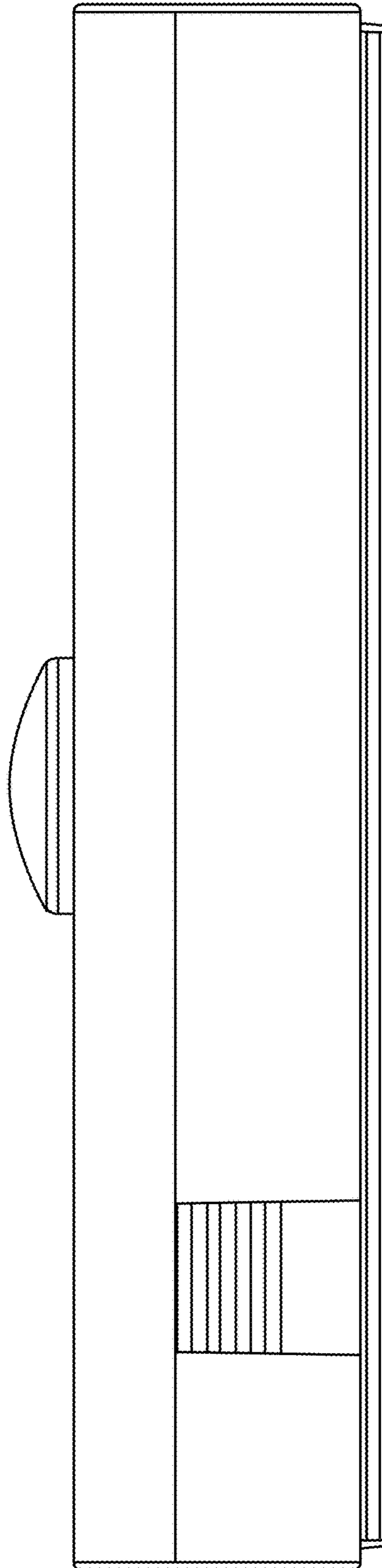


FIG. 25

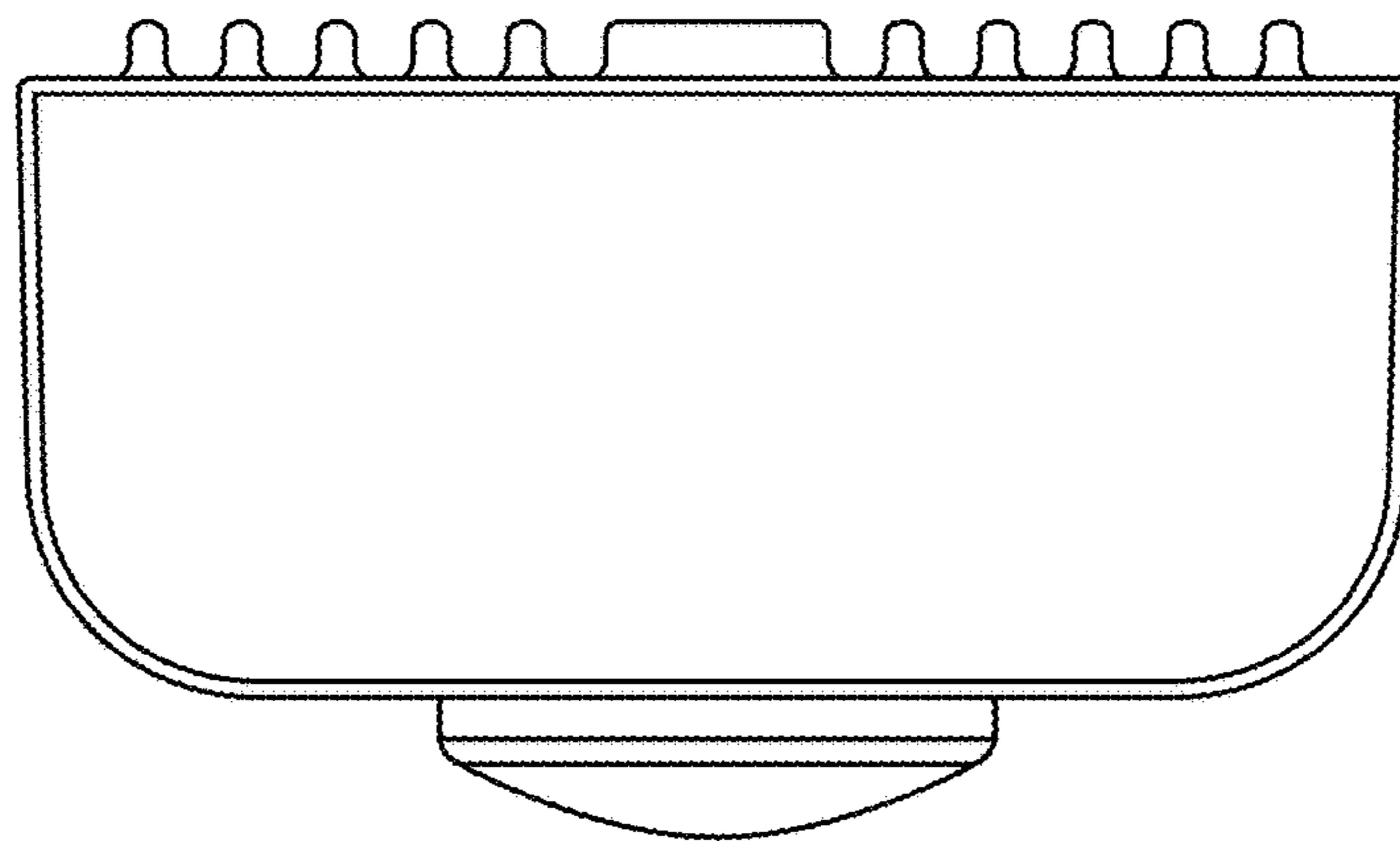


FIG. 26

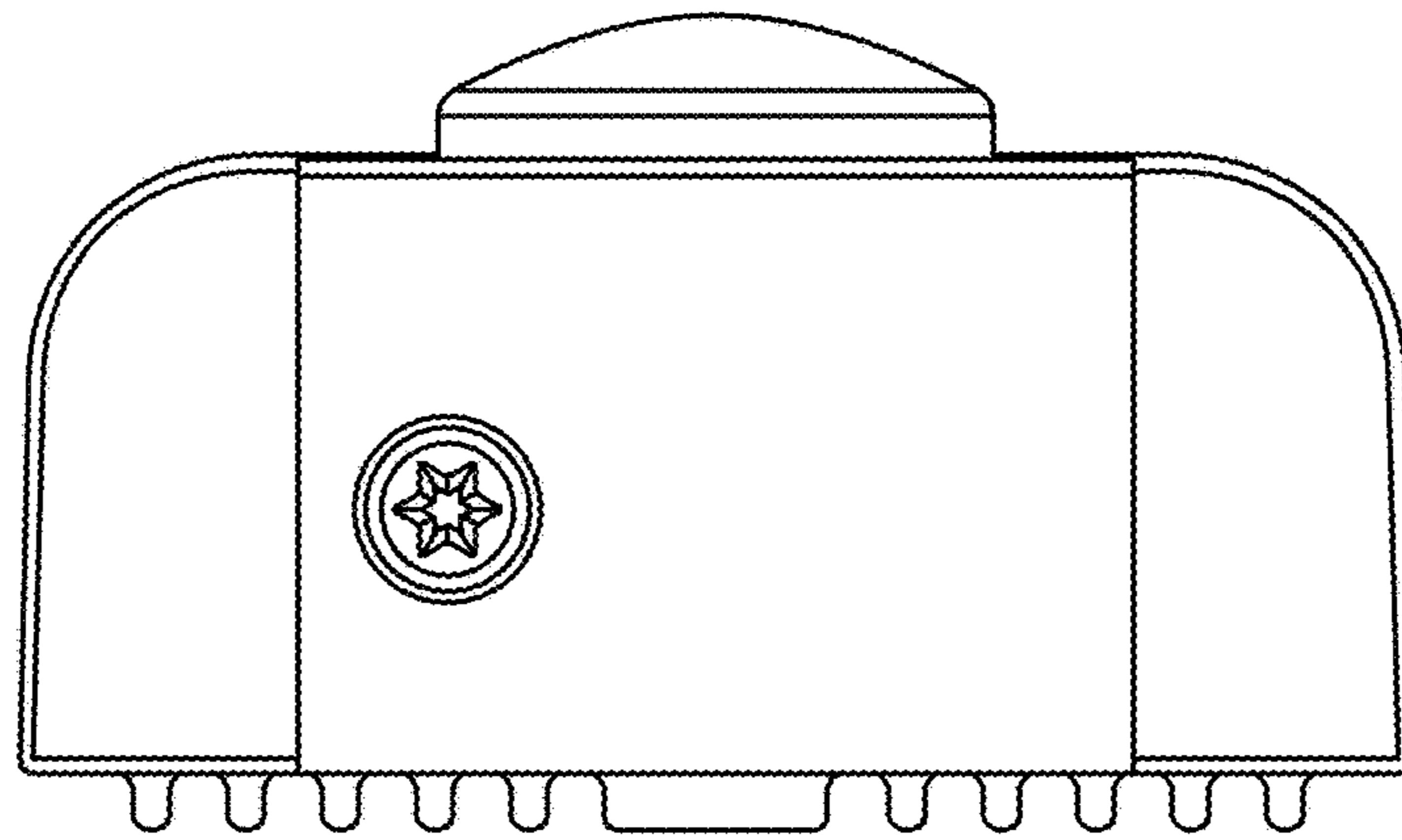


FIG. 27

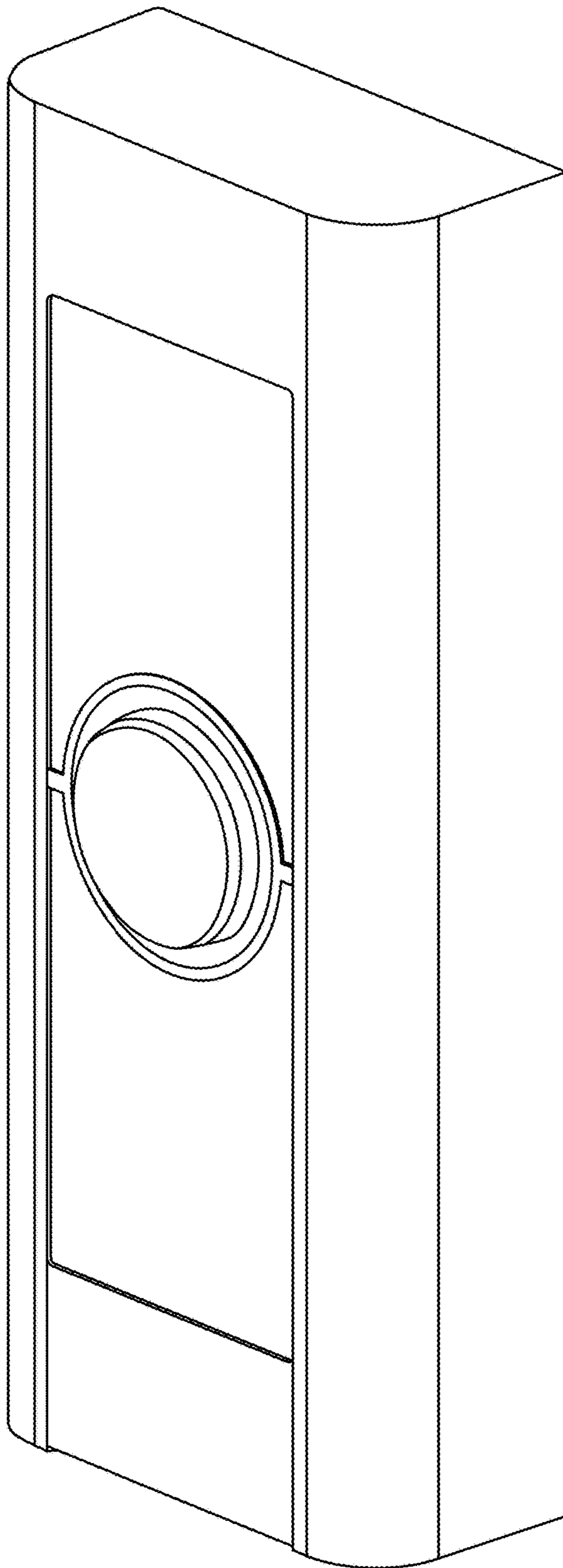


FIG. 28

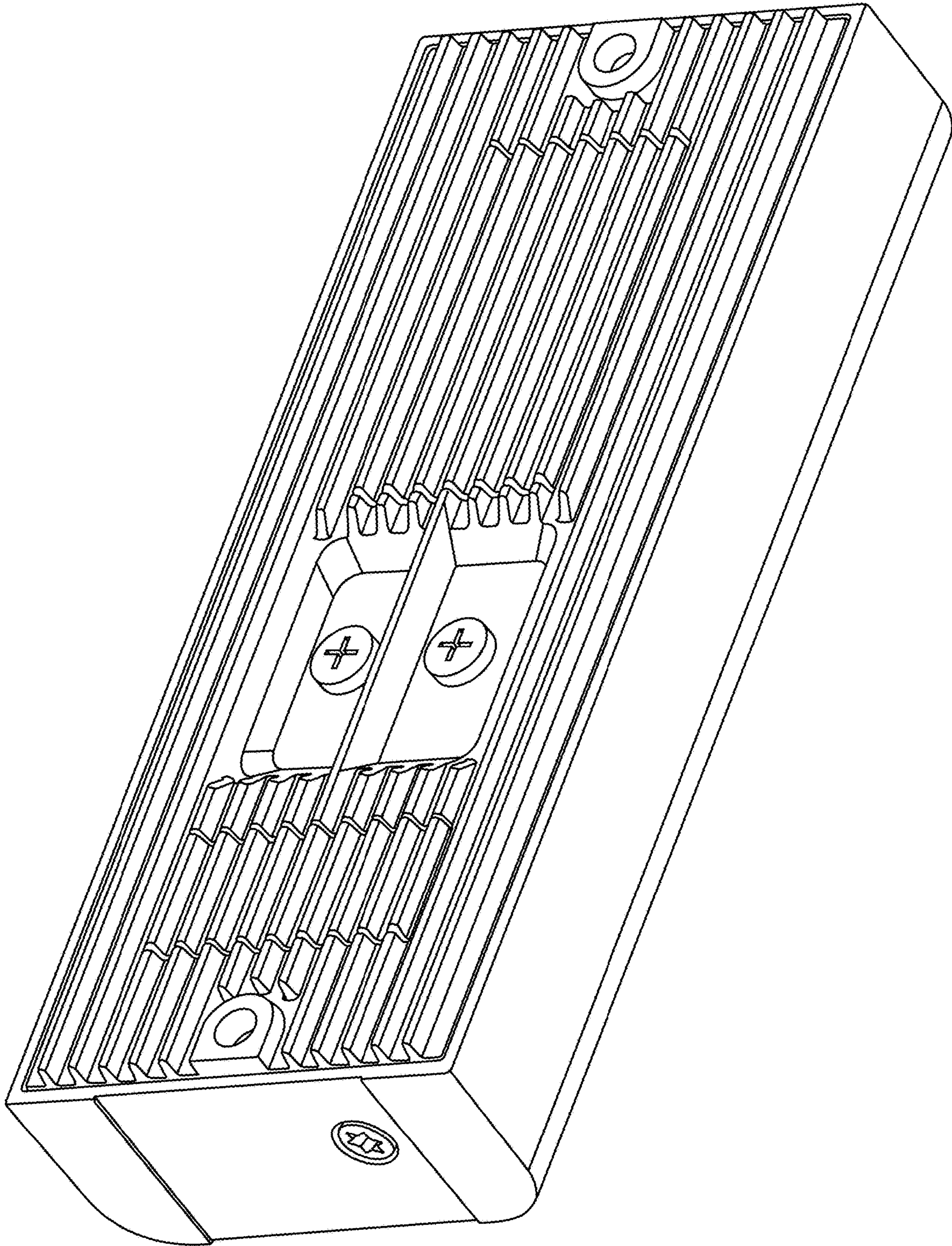


FIG. 29

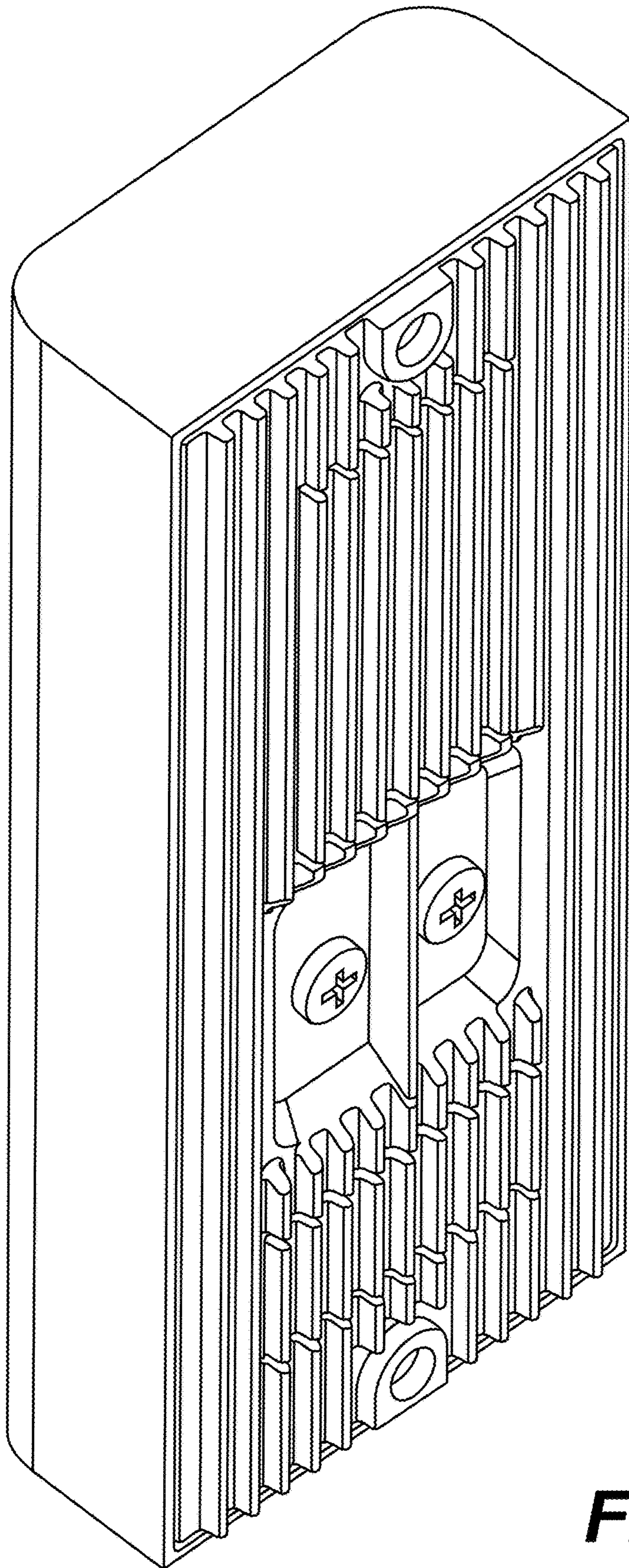


FIG. 30

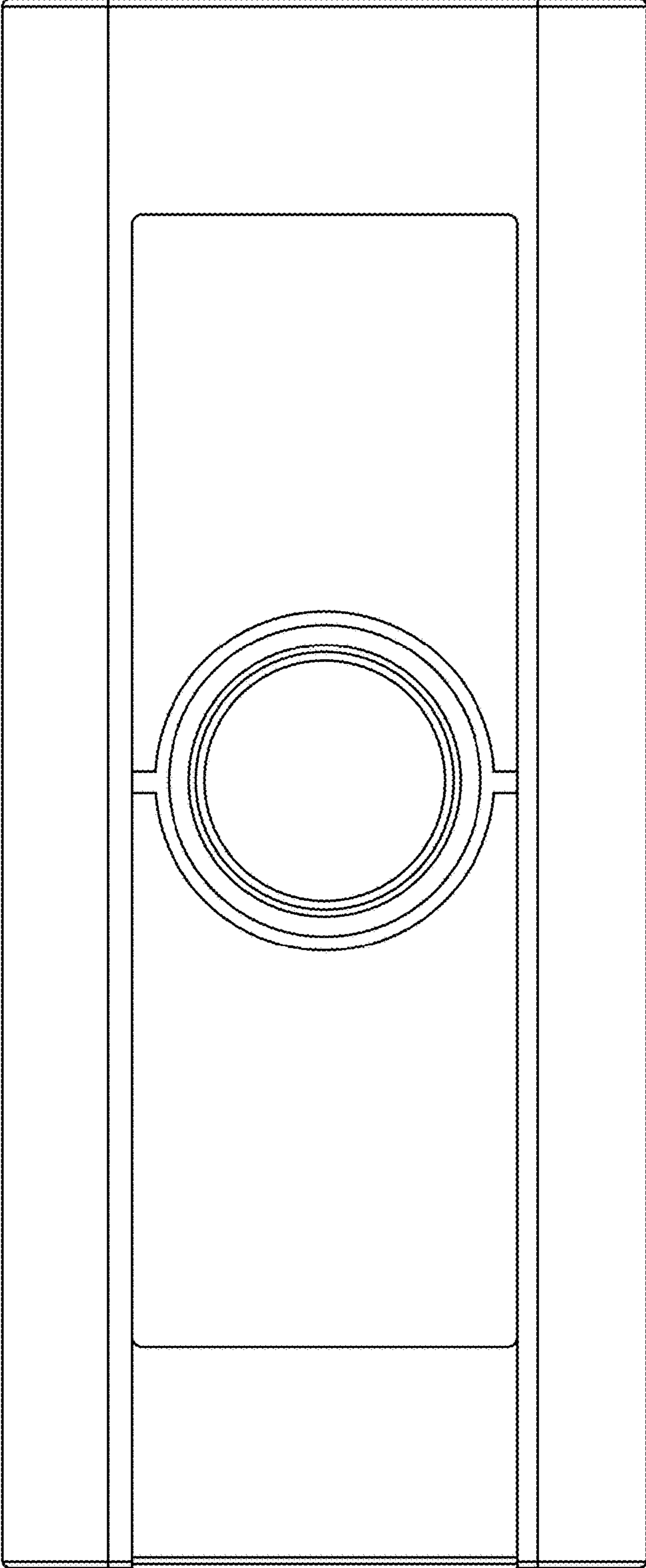


FIG. 31

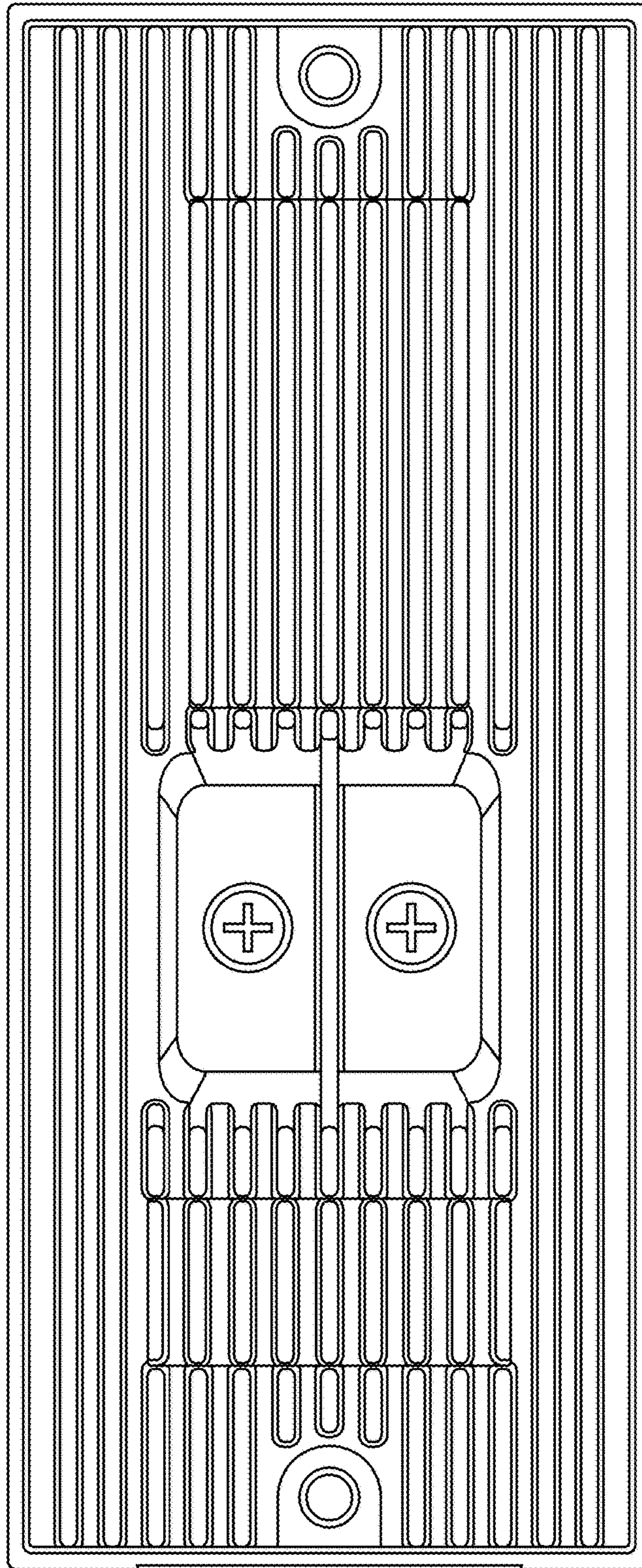


FIG. 32

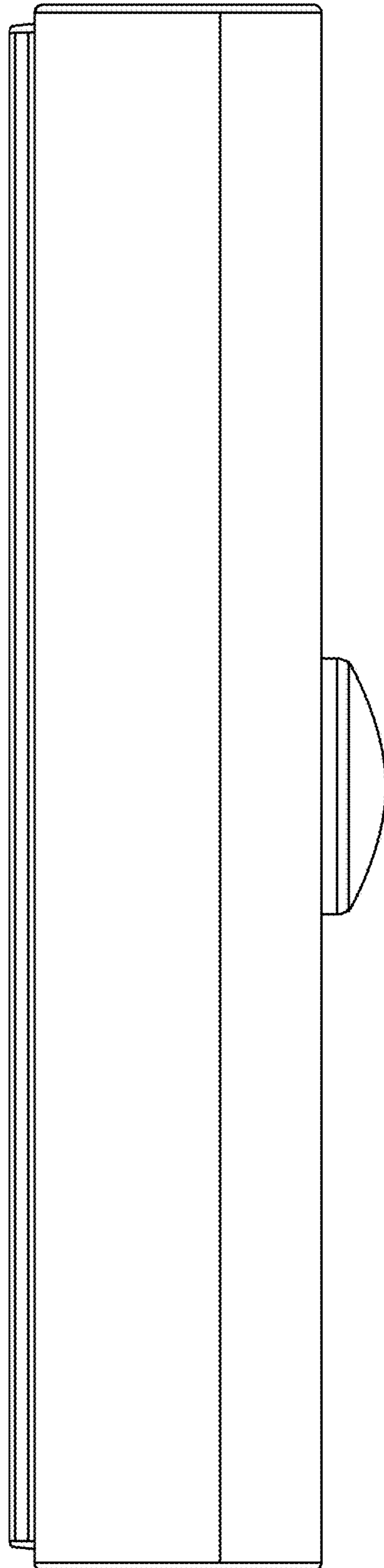


FIG. 33

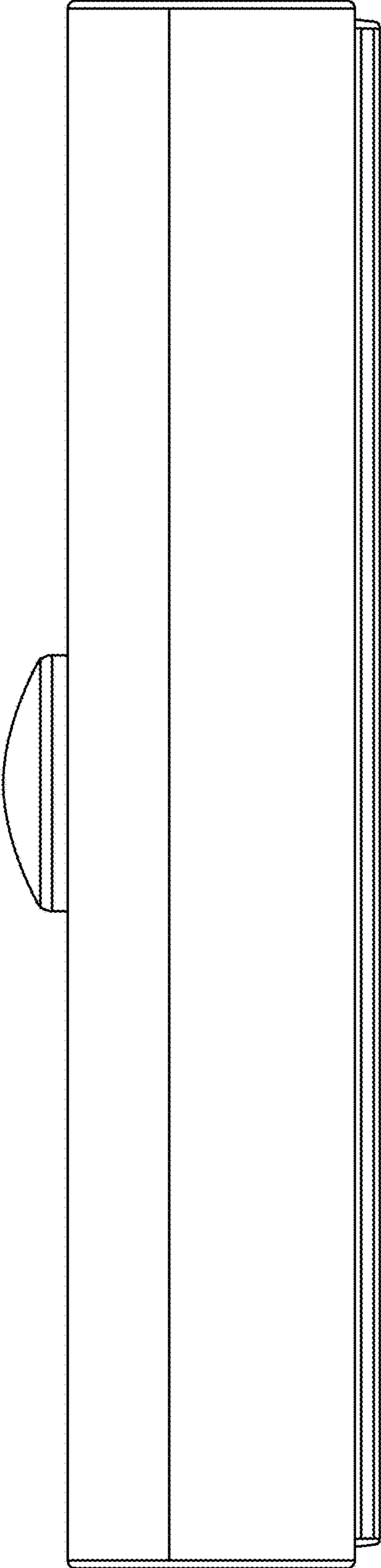


FIG. 34

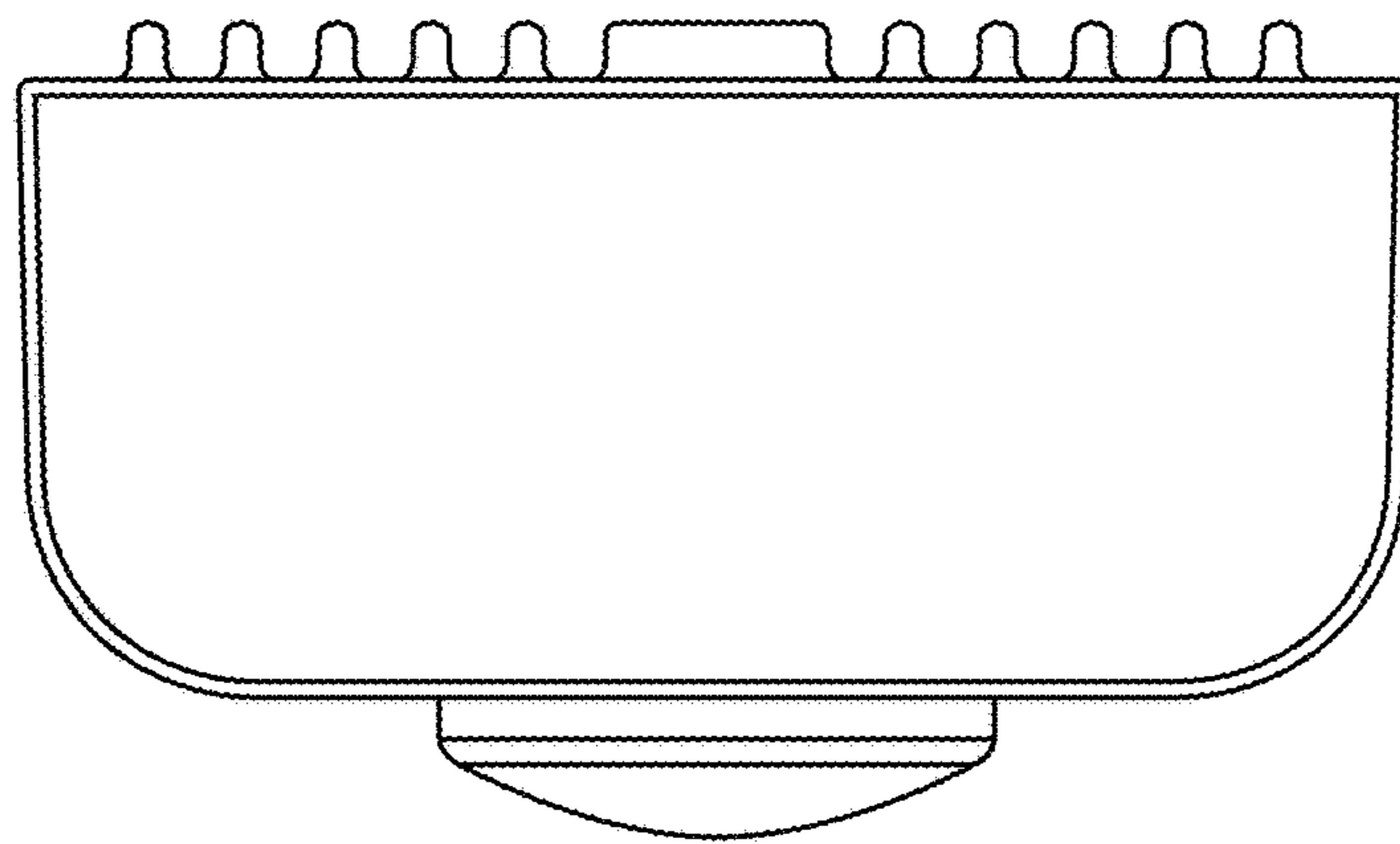


FIG. 35

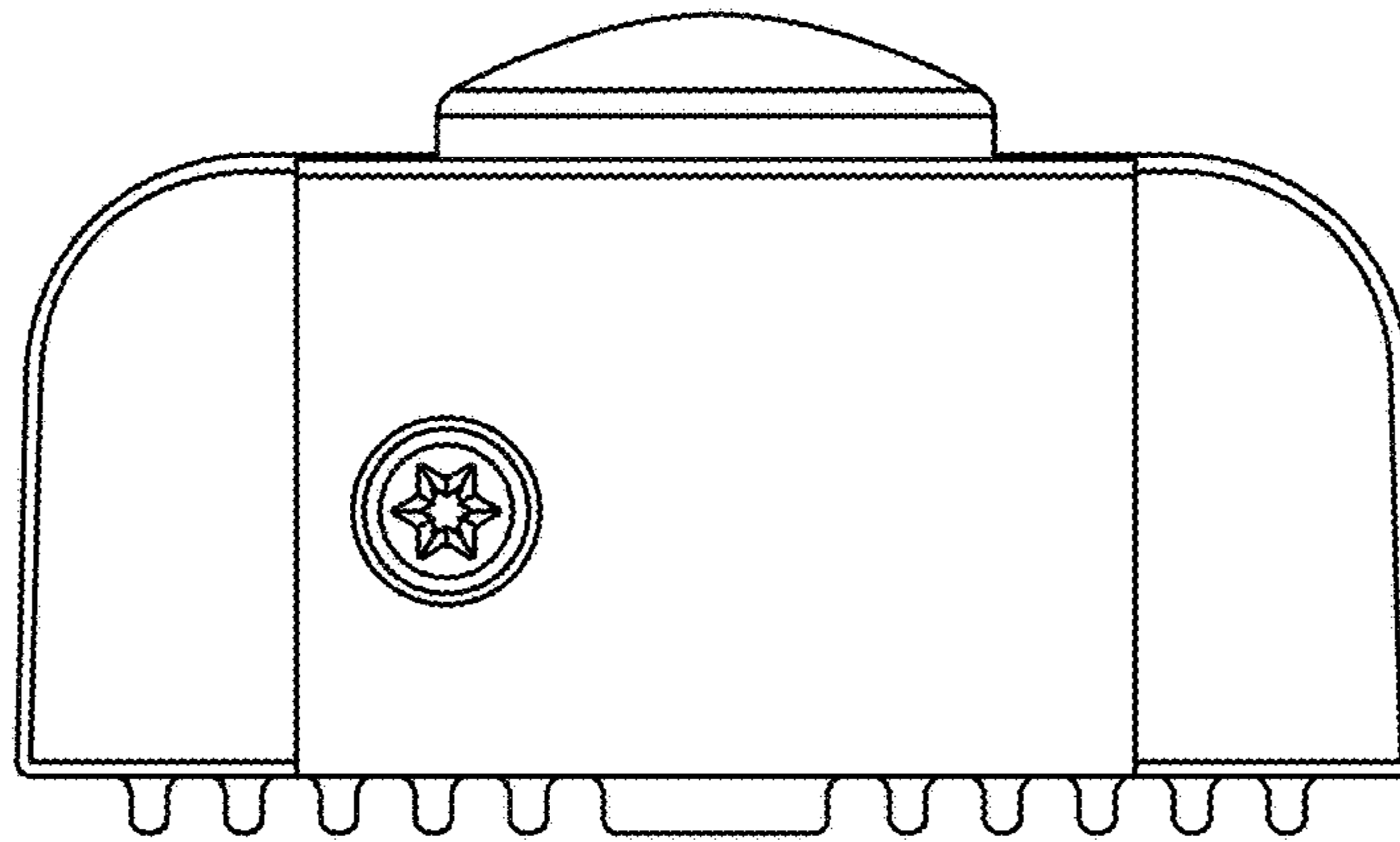


FIG. 36