



US00D848298S

(12) **United States Design Patent** (10) **Patent No.:** **US D848,298 S**
Taheri et al. (45) **Date of Patent:** **** May 14, 2019**

- (54) **DOORBELL**
- (71) Applicant: **Batis, LLC**, Sunnyvale, CA (US)
- (72) Inventors: **Farshad Taheri**, Mountain View, CA (US); **Timothy Leong Yew Tan**, San Francisco, CA (US)
- (73) Assignee: **Batis, LLC**, Sunnyvale, CA (US)
- (**) Term: **15 Years**
- (21) Appl. No.: **29/623,273**
- (22) Filed: **Oct. 24, 2017**
- (51) **LOC (11) Cl.** **10-05**
- (52) **U.S. Cl.**
USPC **D10/118.2**
- (58) **Field of Classification Search**
USPC D8/350, 343, 305, 353; D10/46, 104.1, D10/106, 106.5, 106.6, 116.1, 118, 118.1, D10/118.2, 119.1, 120, 121, 124, 126; D13/158, 169, 171, 174; D14/159, 358; D16/202, 203, 208, 209, 215; D25/147, D25/103; D26/72, 85, 88; 200/310; 340/392.1, 384.7, 326, 539.14; 455/41.2
CPC H04M 11/02; H04M 11/025; G08B 3/00; G08B 3/10; G08B 7/00; G08B 7/06
See application file for complete search history.

- D779,919 S * 2/2017 Shargh D8/330
- D801,843 S * 11/2017 Siminoff D10/118.1
- D802,644 S * 11/2017 Lee D16/202
- D808,285 S * 1/2018 Bone D10/46
- D830,442 S * 10/2018 Vigren D16/203

FOREIGN PATENT DOCUMENTS

CN 304466250 * 1/2018

OTHER PUBLICATIONS

Available May 16, 2018, [online], [site visited Nov. 24, 2018]. Available from Internet, <URL:https://www.digitaltrends.com/home/arbtor-video-doorbell/> (Year: 2018).*

(Continued)

Primary Examiner — Cathron C Brooks
Assistant Examiner — Katrina N Gonzalez
(74) *Attorney, Agent, or Firm* — Erise IP, P.A.

(57) **CLAIM**

The ornamental design for a doorbell, as shown and described.

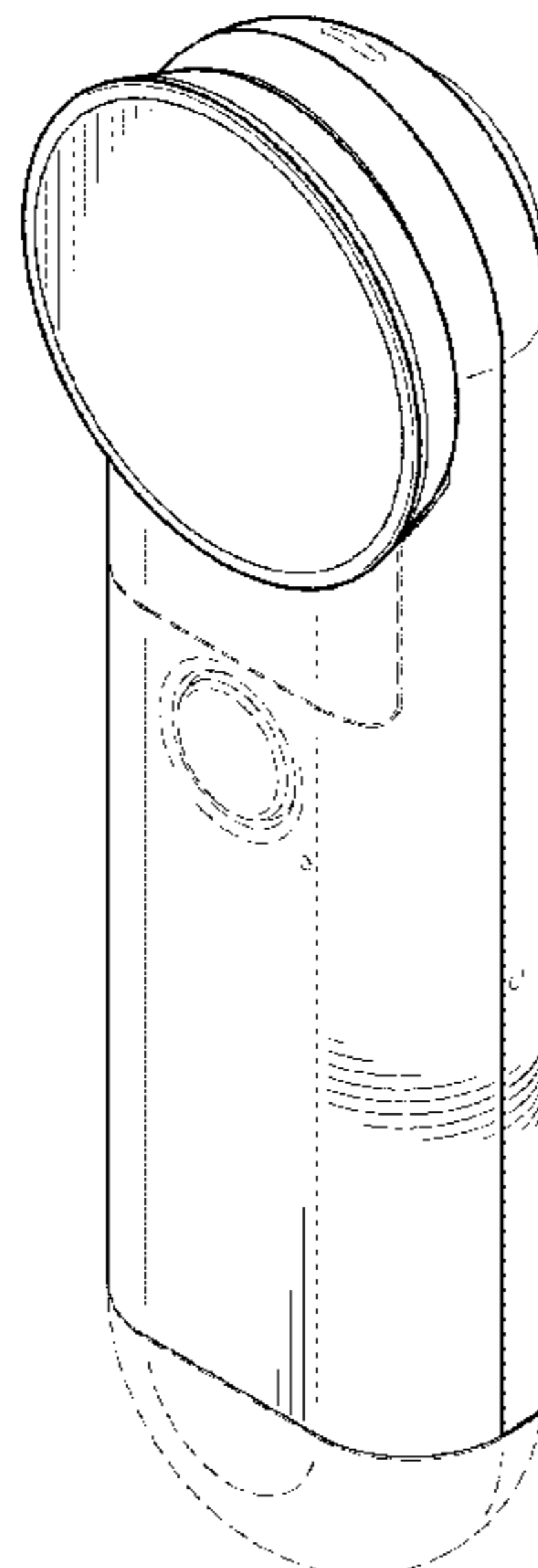
DESCRIPTION

FIG. 1 is a front perspective view of a doorbell embodying the design;
FIG. 2 is a back perspective view thereof;
FIG. 3 is a front side view thereof;
FIG. 4 is a back side view thereof;
FIG. 5 is a left side view thereof;
FIG. 6 is a right side view thereof;
FIG. 7 is a top plan view thereof; and,
FIG. 8 is a bottom plan view thereof.
The features shown in broken lines depict environmental structure only and form no part of the claimed design.

1 Claim, 4 Drawing Sheets

(56) **References Cited**
U.S. PATENT DOCUMENTS

- D477,344 S * 7/2003 Ng D16/202
- D481,404 S * 10/2003 Ng D16/202
- D659,732 S * 5/2012 Kim D16/202
- D710,727 S * 8/2014 Siminoff D10/118.1
- D710,728 S * 8/2014 Siminoff D10/118.1
- D721,752 S * 1/2015 Cho D16/202
- D741,930 S * 10/2015 Kwon D16/202
- D778,195 S * 2/2017 Li D10/118.2



(56)

References Cited

OTHER PUBLICATIONS

Available May 23, 2018, [online], [site visited Nov. 24, 2018]. Available from Internet, <URL:<https://www.digitaltrends.com/home-security-reviews/arbor-video-doorbell-review/>> (Year: 2018).* (via YouTube), available Apr. 9, 2018, [online], [site visited Nov. 24, 2018]. Available from Internet, <URL:https://www.youtube.com/watch?v=6CCBI_CCEho> (Year: 2018).*

* cited by examiner

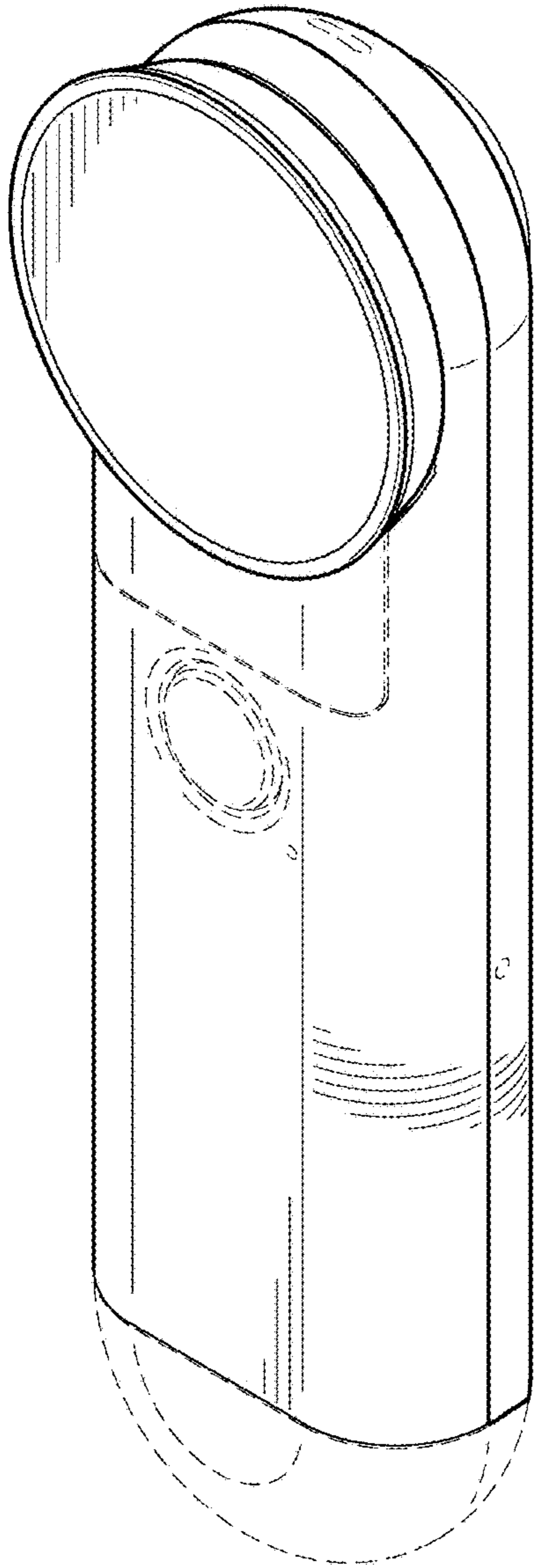


Fig. 1

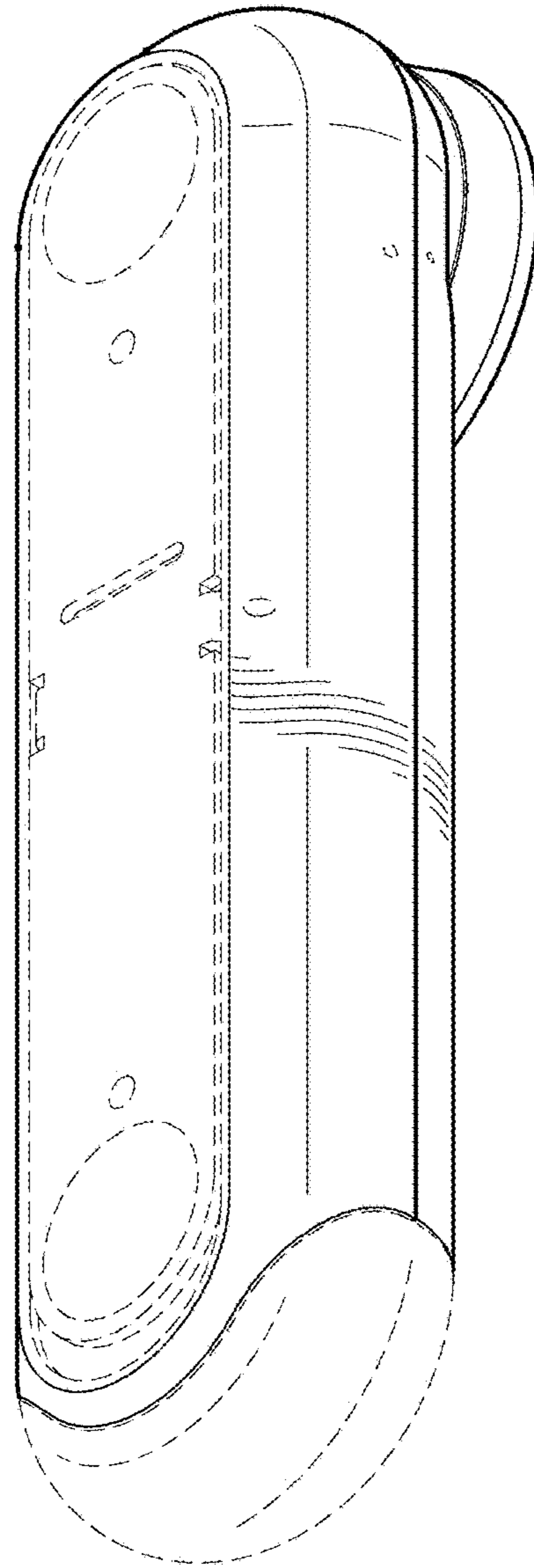


Fig. 2

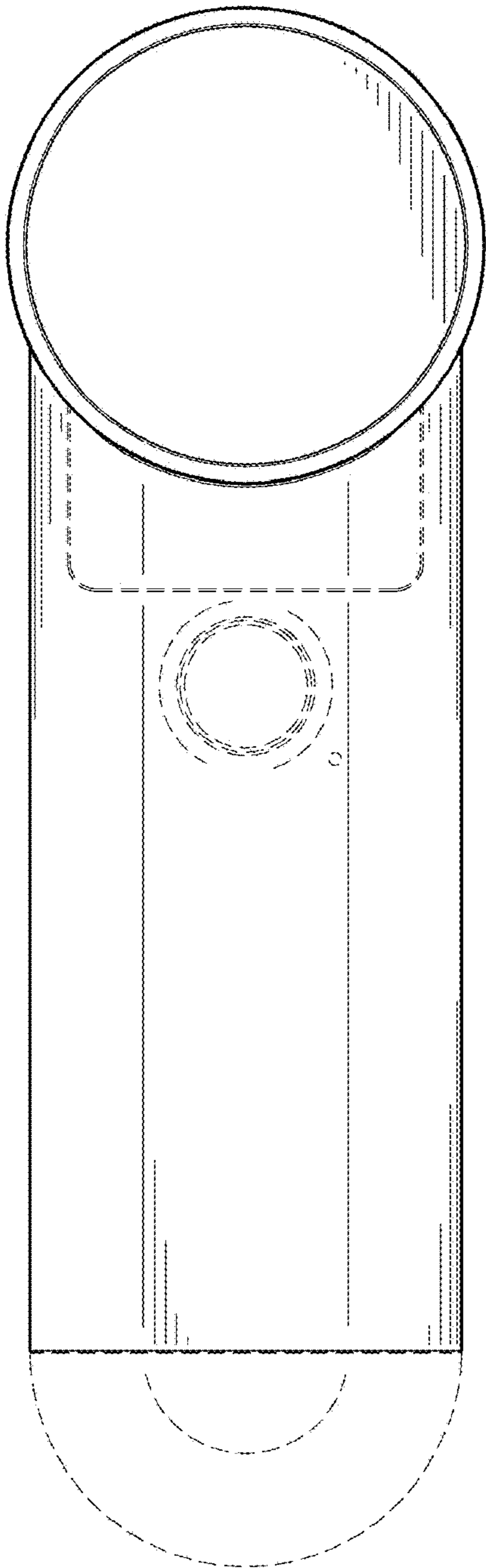


Fig. 3

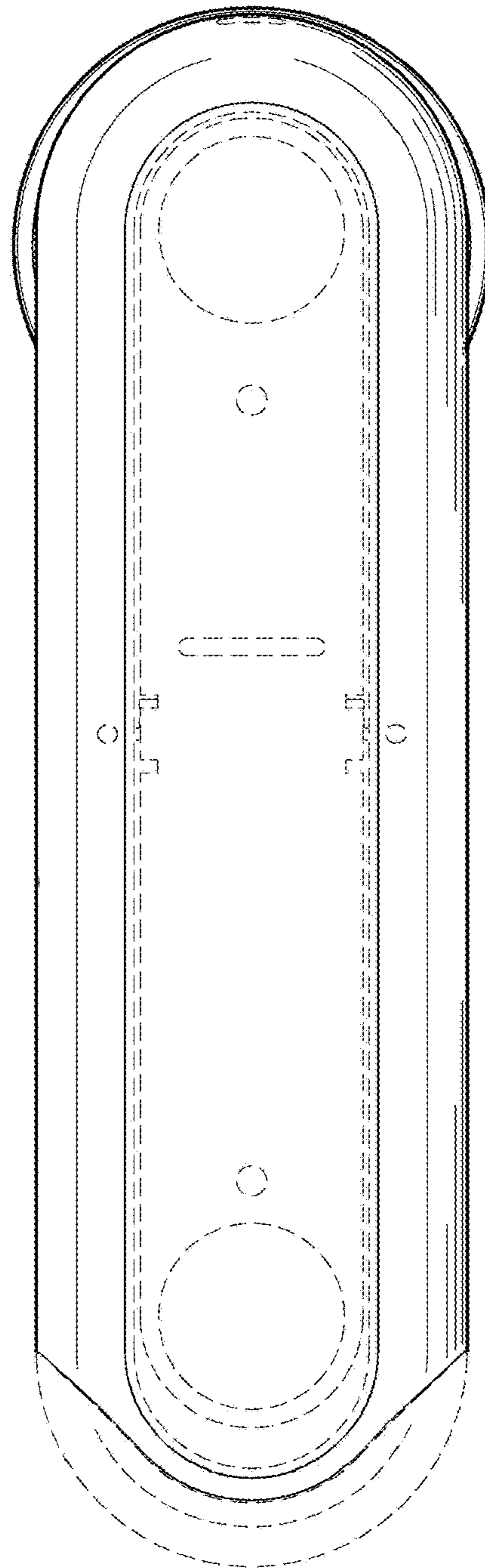


Fig. 4

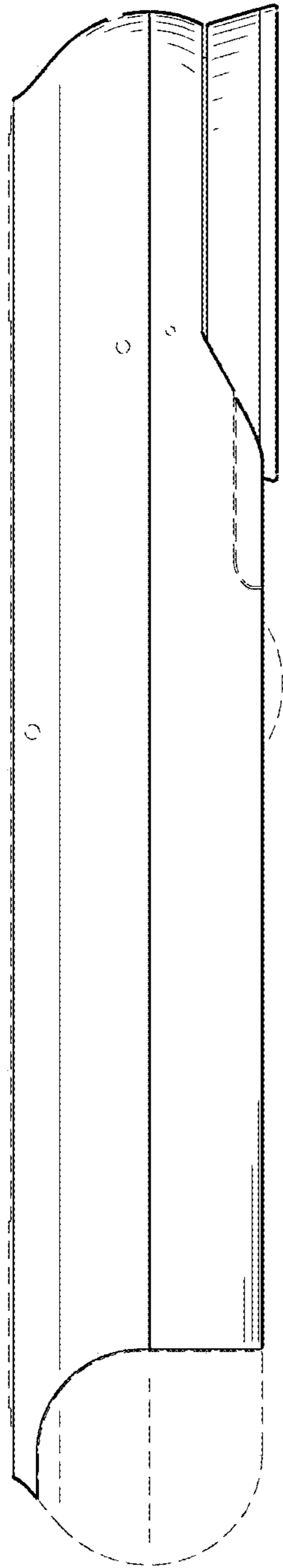


Fig. 5

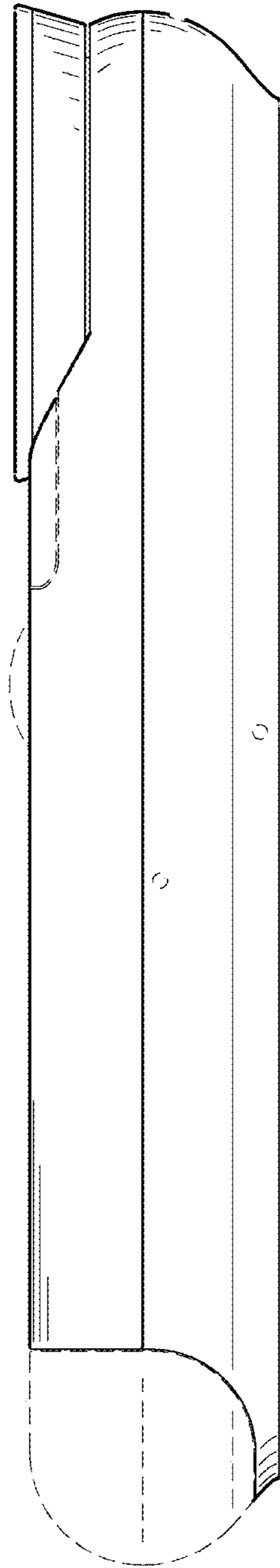


Fig. 6

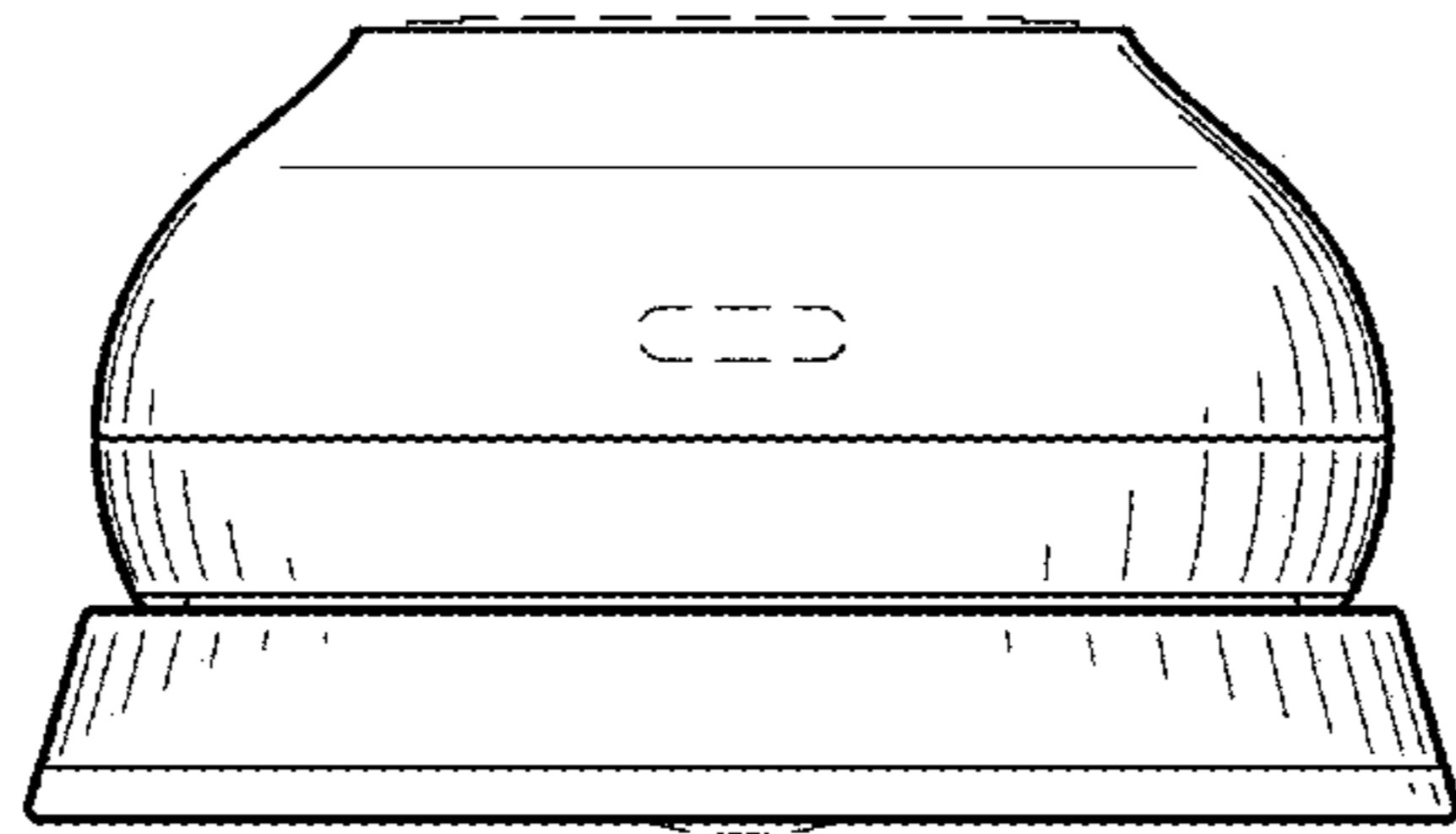


Fig. 7

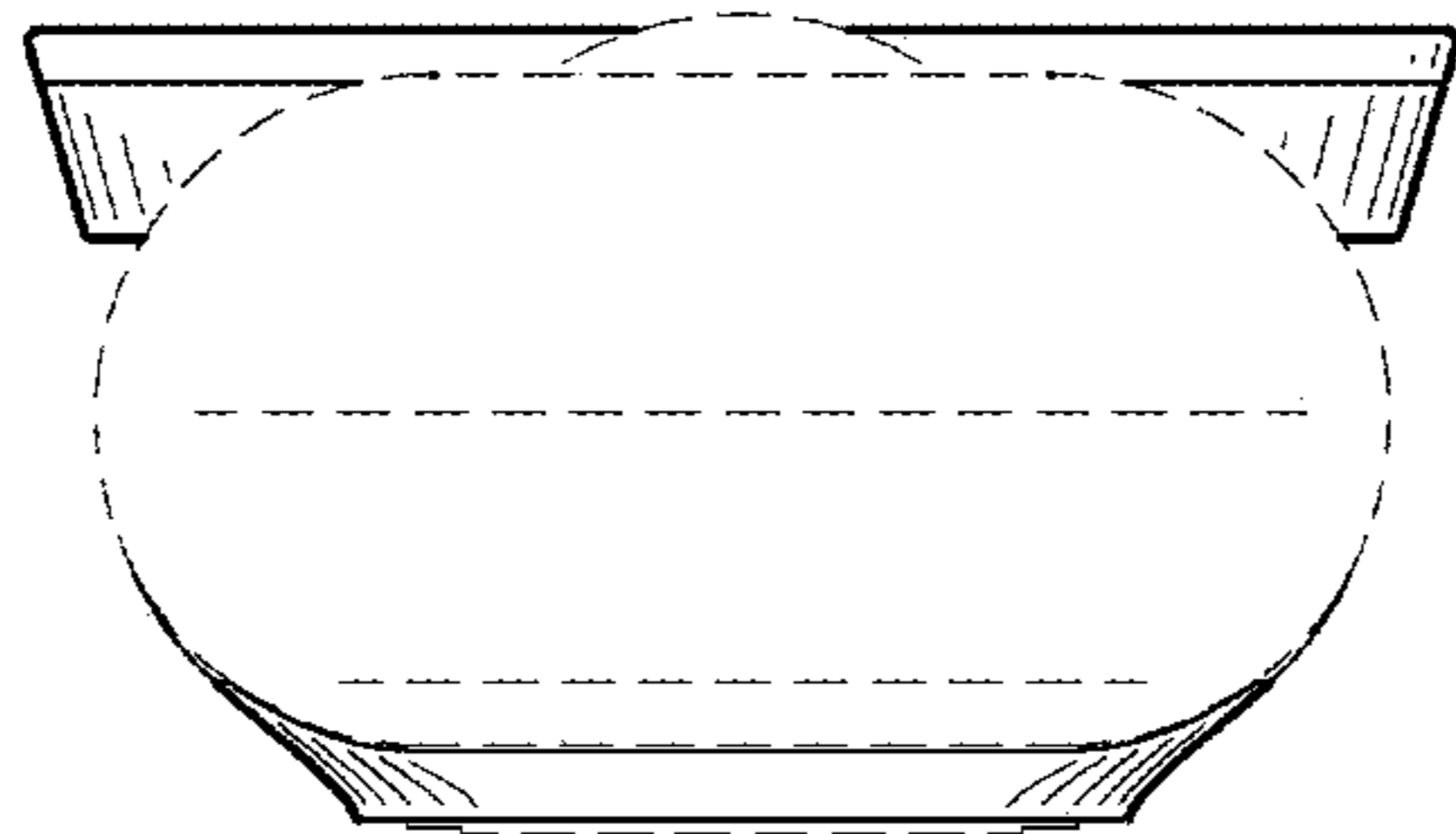


Fig. 8