



US00D848295S

(12) **United States Design Patent** (10) **Patent No.:** **US D848,295 S**
Johnson et al. (45) **Date of Patent:** **** May 14, 2019**

(54) **POOL LEAK MEASURING TUBE**
 (71) Applicants: **Jeff Johnson**, Riverside, CA (US);
John Kennelly, Riverside, CA (US)

9,335,440 B1 * 5/2016 Glenn G01W 1/14
 9,476,748 B1 * 10/2016 Krause G01F 17/00
 9,810,599 B2 10/2017 Bright

* cited by examiner

(72) Inventors: **Jeff Johnson**, Riverside, CA (US);
John Kennelly, Riverside, CA (US)

Primary Examiner — Antoine Duval Davis
 (74) *Attorney, Agent, or Firm* — Kirk A. Buhler; Buhler
 & Associates

(**) Term: **15 Years**

(57) **CLAIM**

(21) Appl. No.: **29/628,117**

The ornamental design for a pool leak measuring tube, as shown.

(22) Filed: **Dec. 1, 2017**

DESCRIPTION

(51) **LOC (11) Cl.** **10-04**

(52) **U.S. Cl.**
USPC **D10/101**; D10/46.2; D24/224

(58) **Field of Classification Search**
 USPC D10/46.2, 46.3, 101; D24/224
 CPC G01F 23/02
 See application file for complete search history.

FIG. 1 is a top perspective view of a pool leak measuring tube showing my new design;
 FIG. 2 is a front elevation view thereof;
 FIG. 3 is a rear elevation view thereof;
 FIG. 4 is a right side elevation view thereof;
 FIG. 5 is a left side elevation view thereof;
 FIG. 6 is a top plan view thereof;
 FIG. 7 is a bottom view thereof;
 FIG. 8 is a lower perspective view; and,
 FIG. 9 is a lower perspective view.

(56) **References Cited**

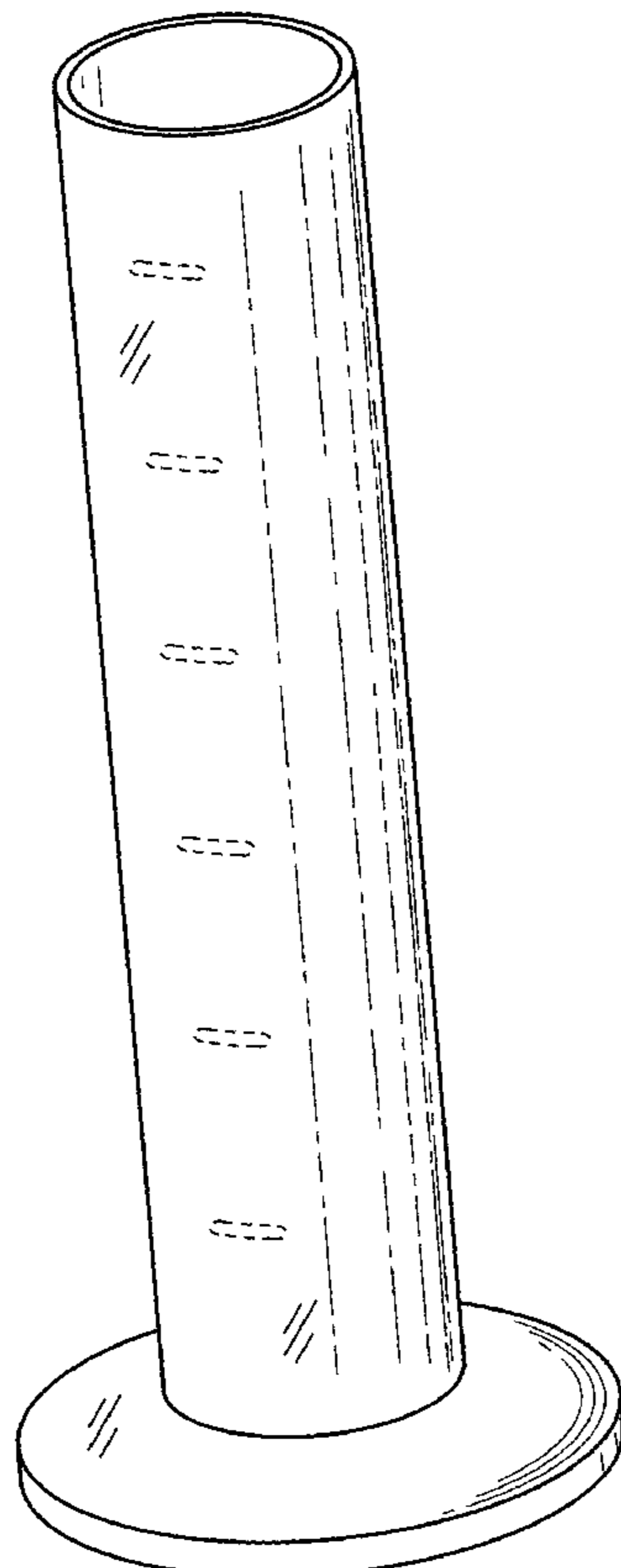
U.S. PATENT DOCUMENTS

831,939	A *	9/1906	Deming	
D316,981	S *	5/1991	Geschwender D10/101
D318,728	S	7/1991	Braune	
5,551,290	A	9/1996	Spiegel	
7,004,011	B1	2/2006	Spiegel	
D640,938	S *	7/2011	Antons D10/46.3

The broken ones in FIGS. 1, 2, 3, 4, 5, 8 and 9 are indicia for illustrative purposes only and form no part of the claimed design.

The broken ones in FIG. 9 is a weight and form no port of the claimed design.

1 Claim, 6 Drawing Sheets



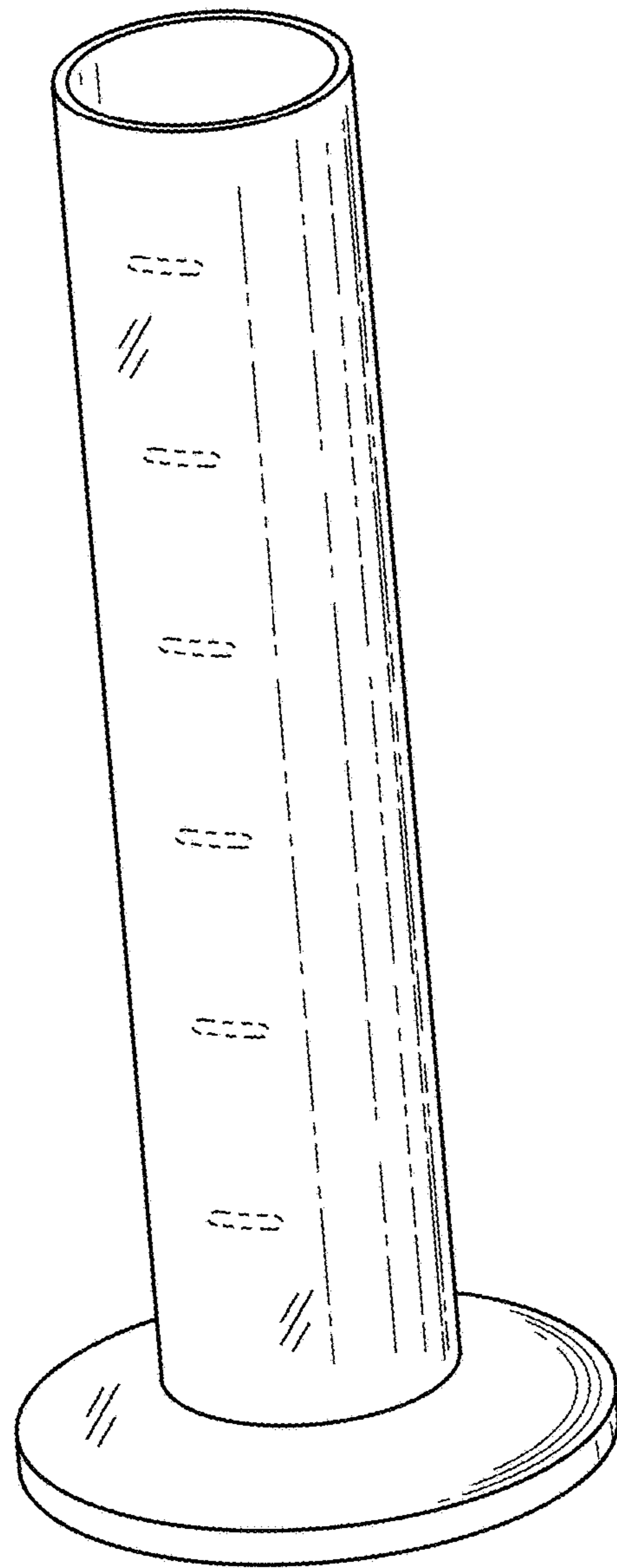


FIG. 1

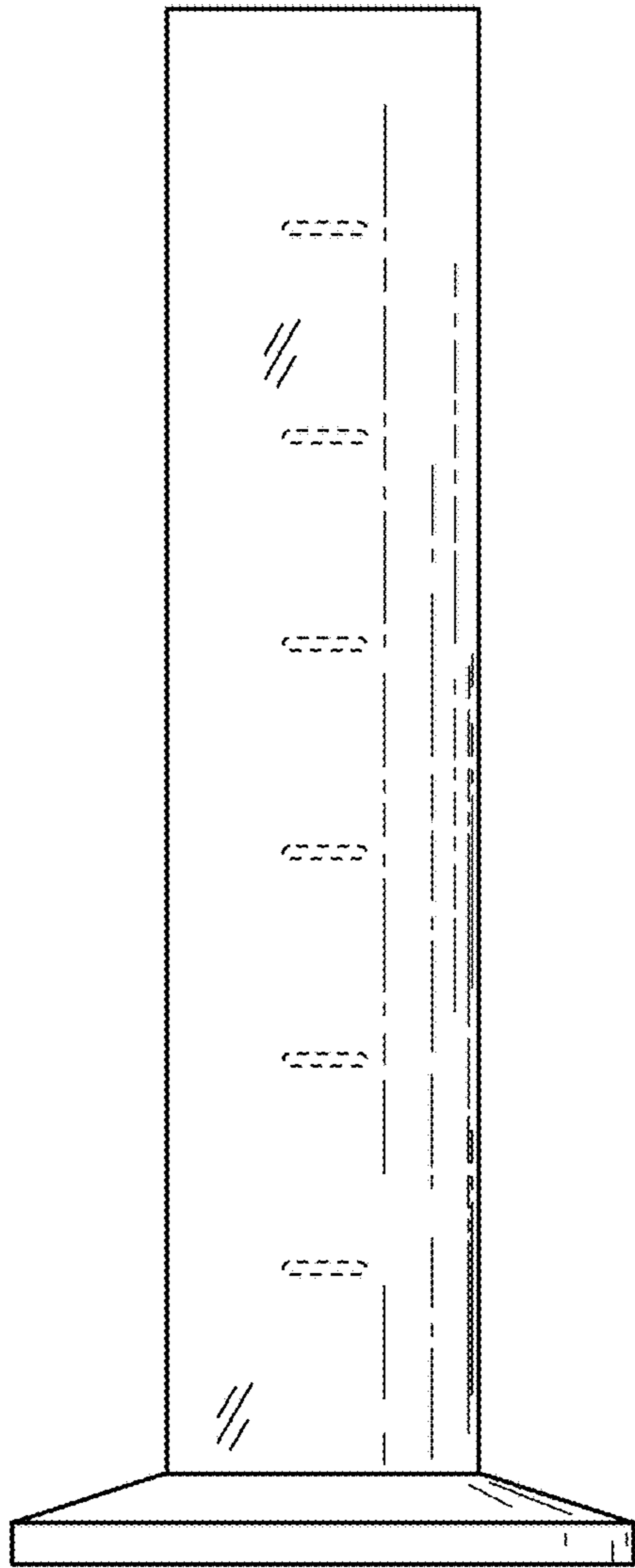


FIG. 2

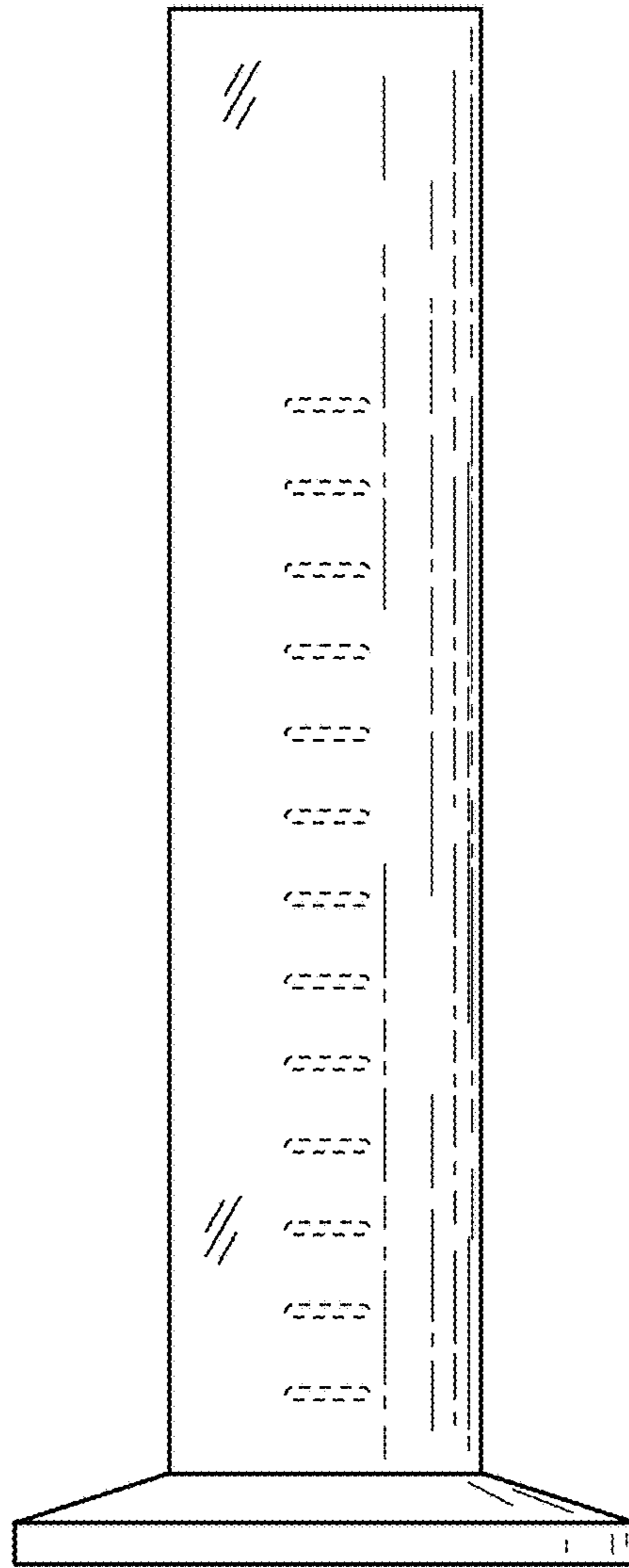


FIG. 3

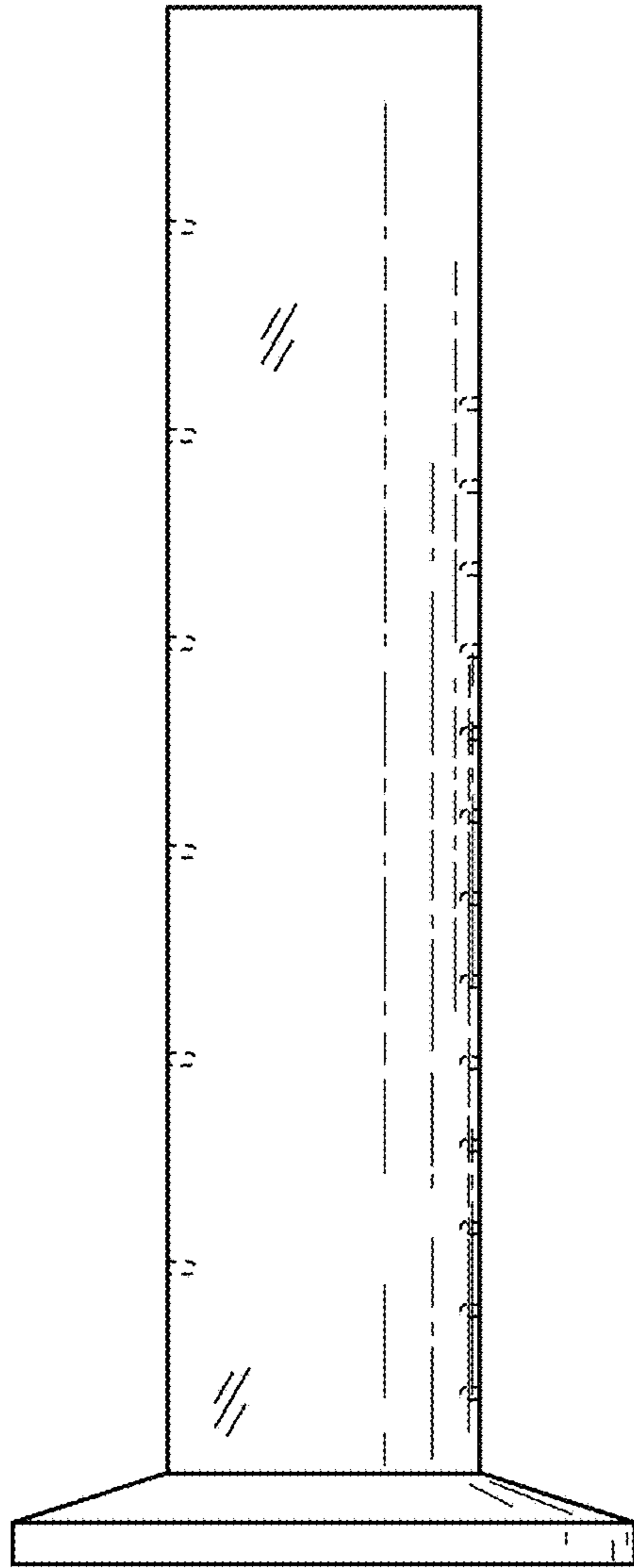


FIG. 4

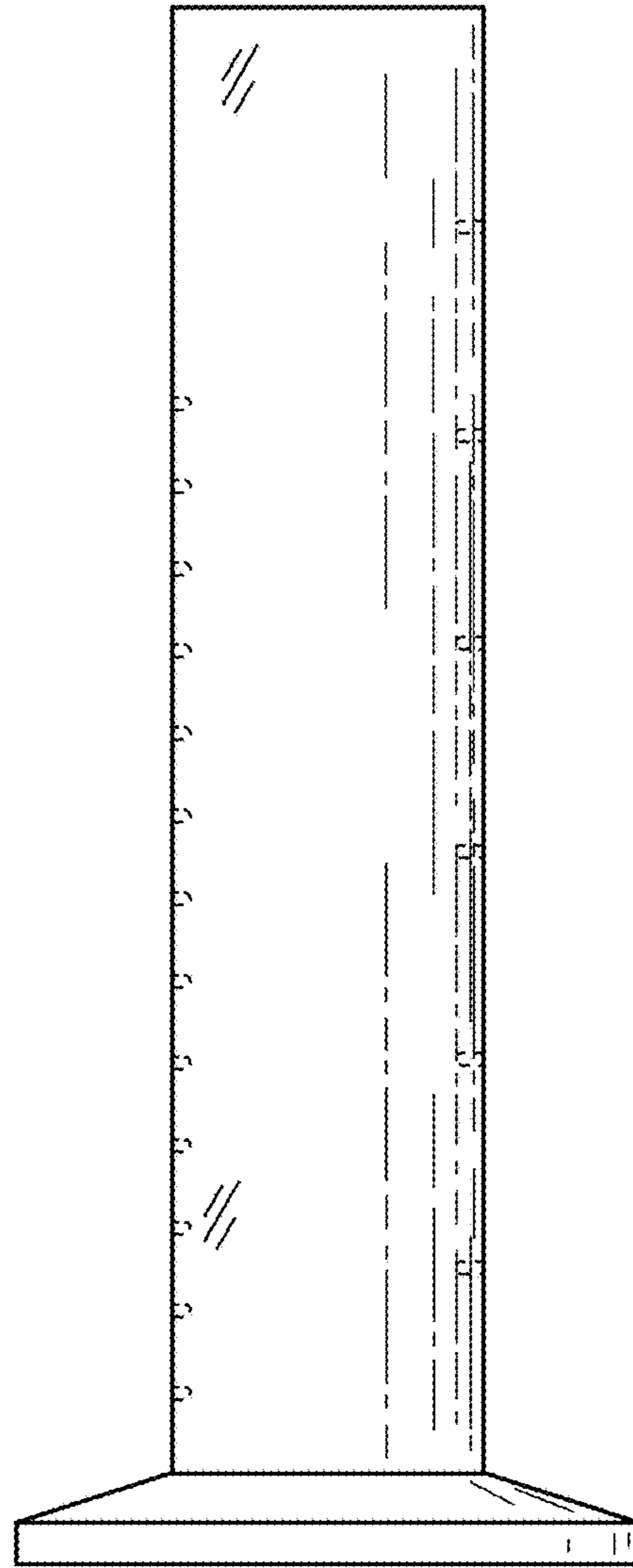


FIG. 5

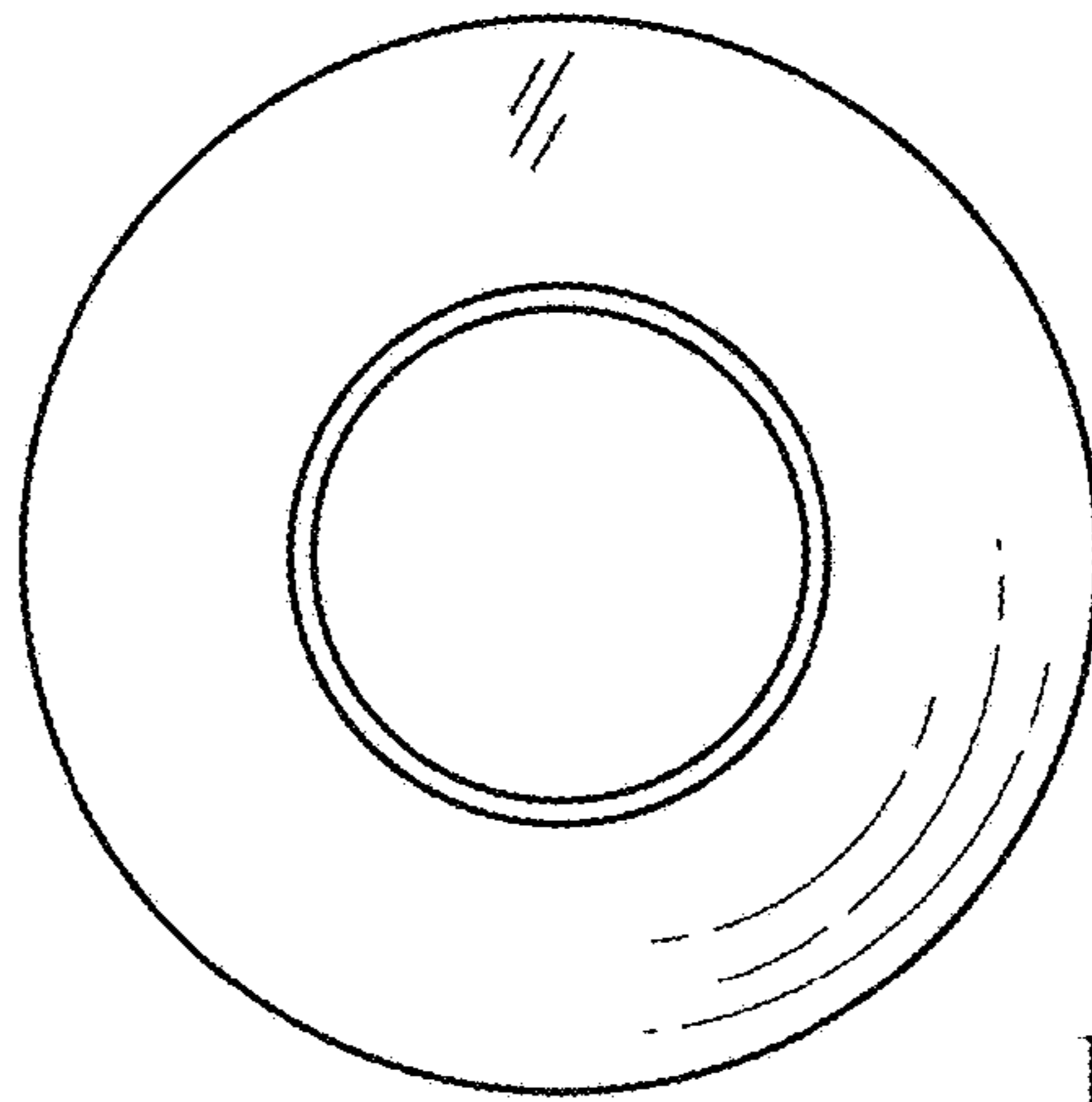


FIG. 6

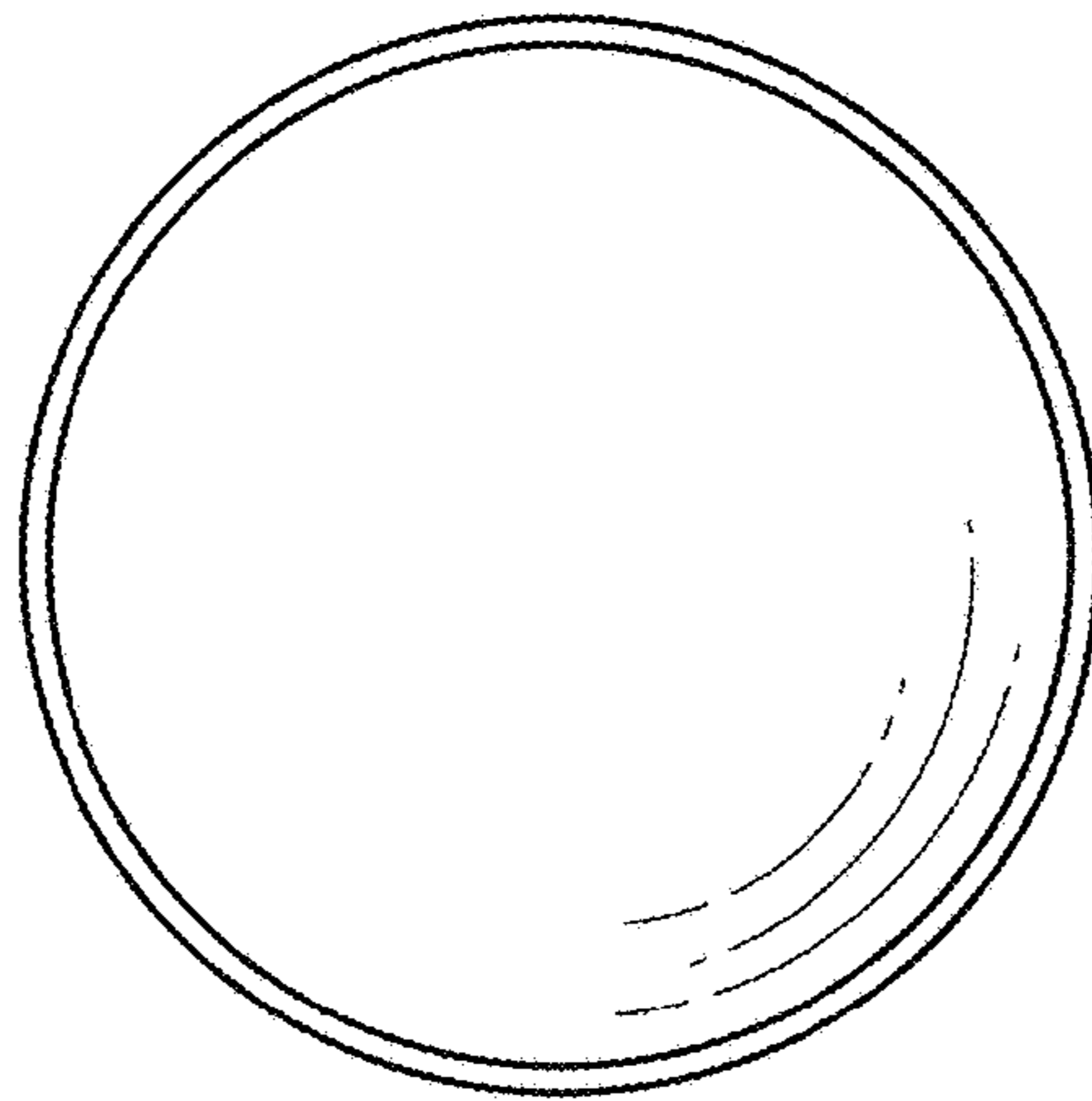


FIG. 7

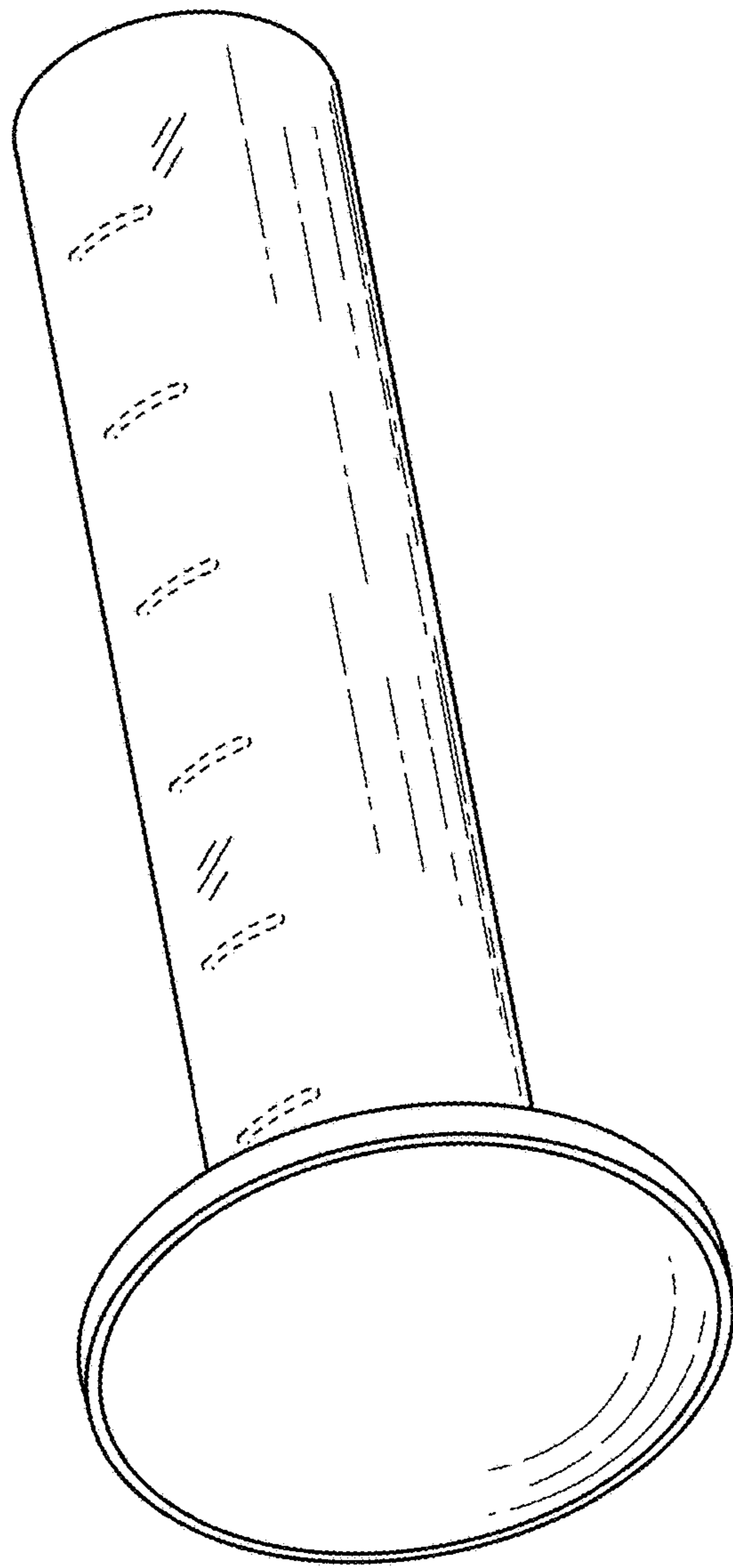


FIG. 8

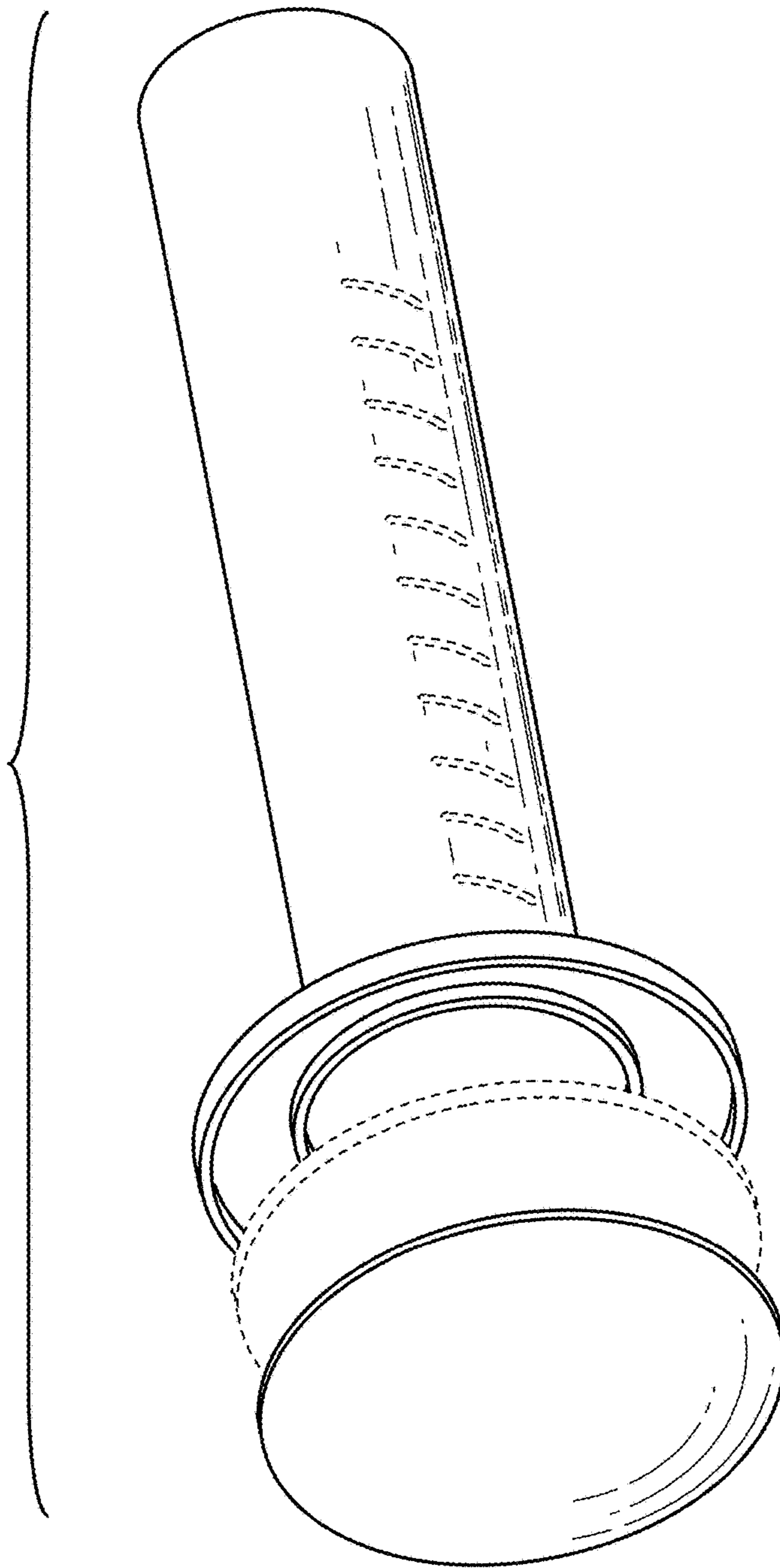


FIG. 9