



US00D848293S

(12) **United States Design Patent**  
**Laurans et al.**

(10) **Patent No.:** **US D848,293 S**

(45) **Date of Patent:** **\*\* May 14, 2019**

(54) **SENSOR HOUSING**

(71) Applicant: **SimpliSafe, Inc.**, Boston, MA (US)

(72) Inventors: **Chad Laurans**, Brookline, MA (US);  
**Melina Engel**, Belmont, MA (US);  
**Yong Zhao**, Medford, MA (US); **Jason Robinson**, Tewksbury, MA (US);  
**Gregory Wolos**, Cambridge, MA (US);  
**Ian Schon**, Brookline, MA (US); **Dirk Ahlgrim**, Boston, MA (US)

(73) Assignee: **SimpliSafe, Inc.**, Boston, MA (US)

(\*\*) Term: **15 Years**

(21) Appl. No.: **29/629,741**

(22) Filed: **Dec. 15, 2017**

(51) **LOC (11) Cl.** ..... **10-04**

(52) **U.S. Cl.**  
USPC ..... **D10/70; D10/106.6**

(58) **Field of Classification Search**  
USPC ..... **D10/46, 70, 106.6**  
See application file for complete search history.

(56) **References Cited**

**U.S. PATENT DOCUMENTS**

D708,971 S \* 7/2014 Jacobs ..... D10/70  
D711,258 S \* 8/2014 Jacobs ..... D10/70

D764,335 S \* 8/2016 Thornton ..... D10/70  
D775,978 S \* 1/2017 Christianson ..... D10/70  
D775,979 S \* 1/2017 Christianson ..... D10/70  
D817,792 S \* 5/2018 Geskin ..... D10/70  
D826,073 S \* 8/2018 Alkelai ..... D10/70

\* cited by examiner

*Primary Examiner* — Antoine Duval Davis  
(74) *Attorney, Agent, or Firm* — Wolf, Greenfield & Sacks, P.C.

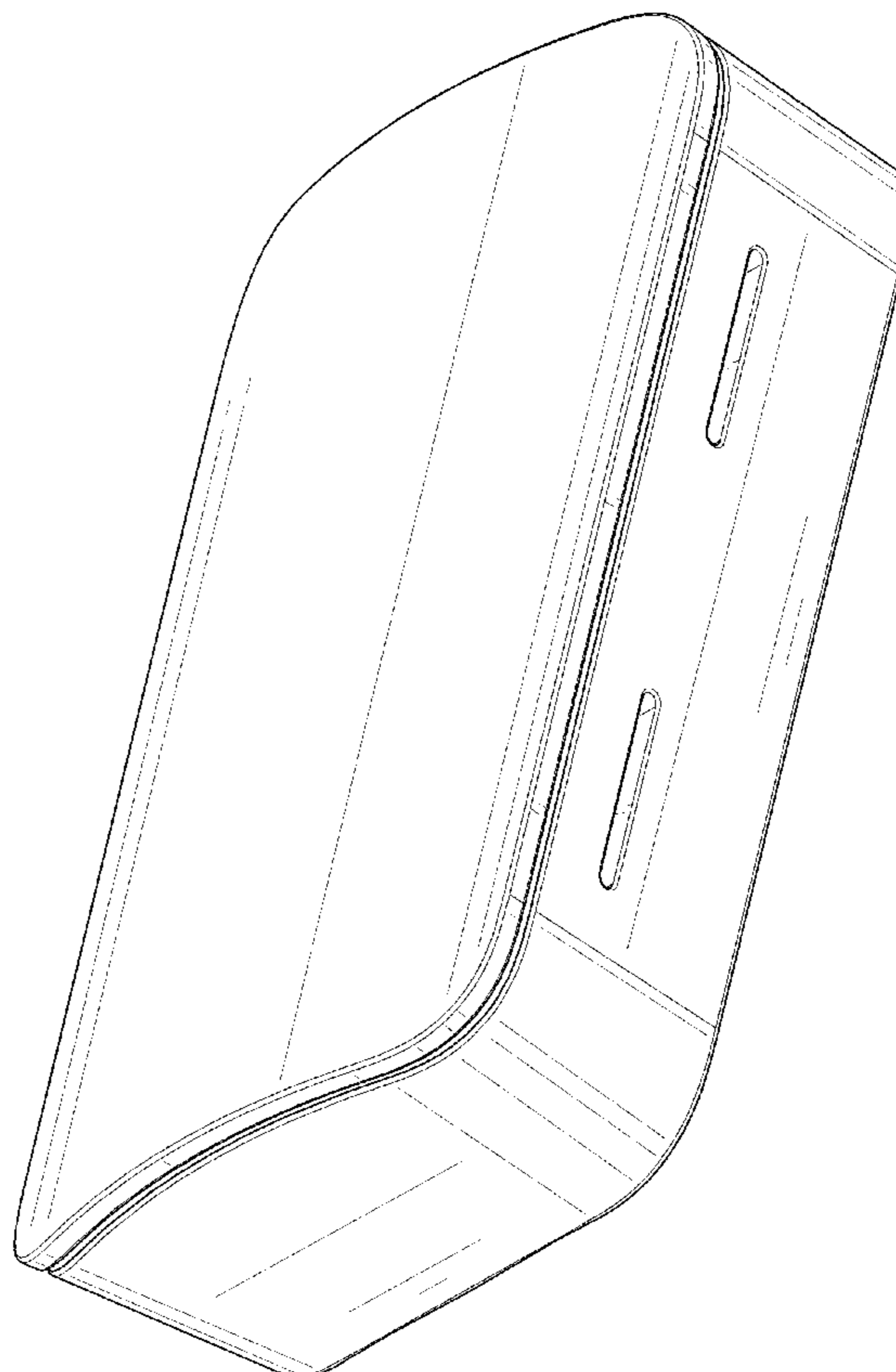
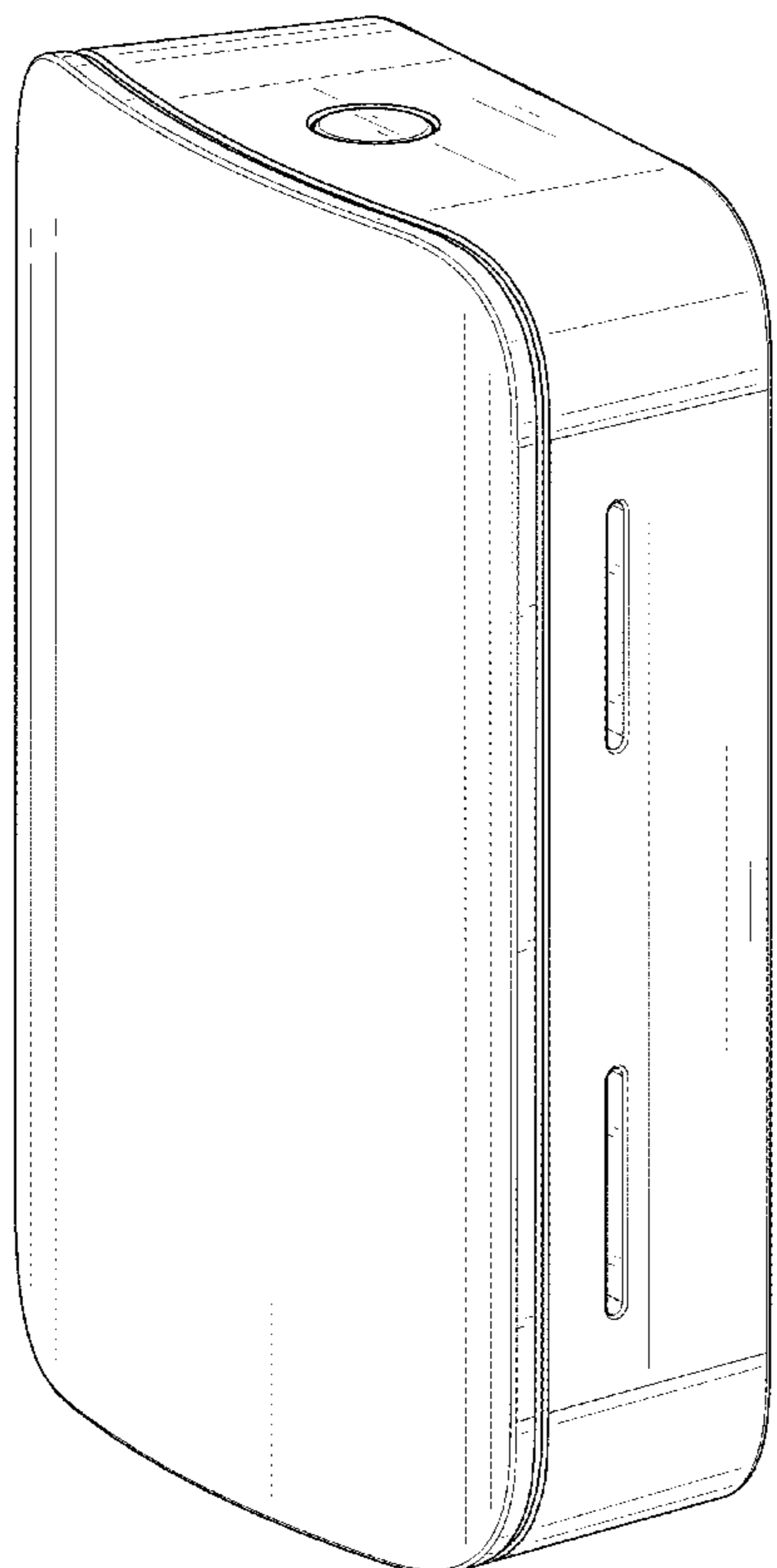
(57) **CLAIM**

The ornamental design for a sensor housing, as shown and described.

**DESCRIPTION**

FIG. 1 shows an upper front right perspective view of the sensor housing;  
FIG. 2 shows a lower front right perspective view of the FIG. 1 embodiment;  
FIG. 3 shows a front view of the FIG. 1 embodiment;  
FIG. 4 shows a right side view of the FIG. 1 embodiment;  
FIG. 5 shows a left side view of the FIG. 1 embodiment;  
FIG. 6 shows a rear view of the FIG. 1 embodiment;  
FIG. 7 shows a top view of the FIG. 1 embodiment; and,  
FIG. 8 shows a bottom view of the FIG. 1 embodiment.  
Features shown in dashed line form no part of the claimed invention.

**1 Claim, 8 Drawing Sheets**



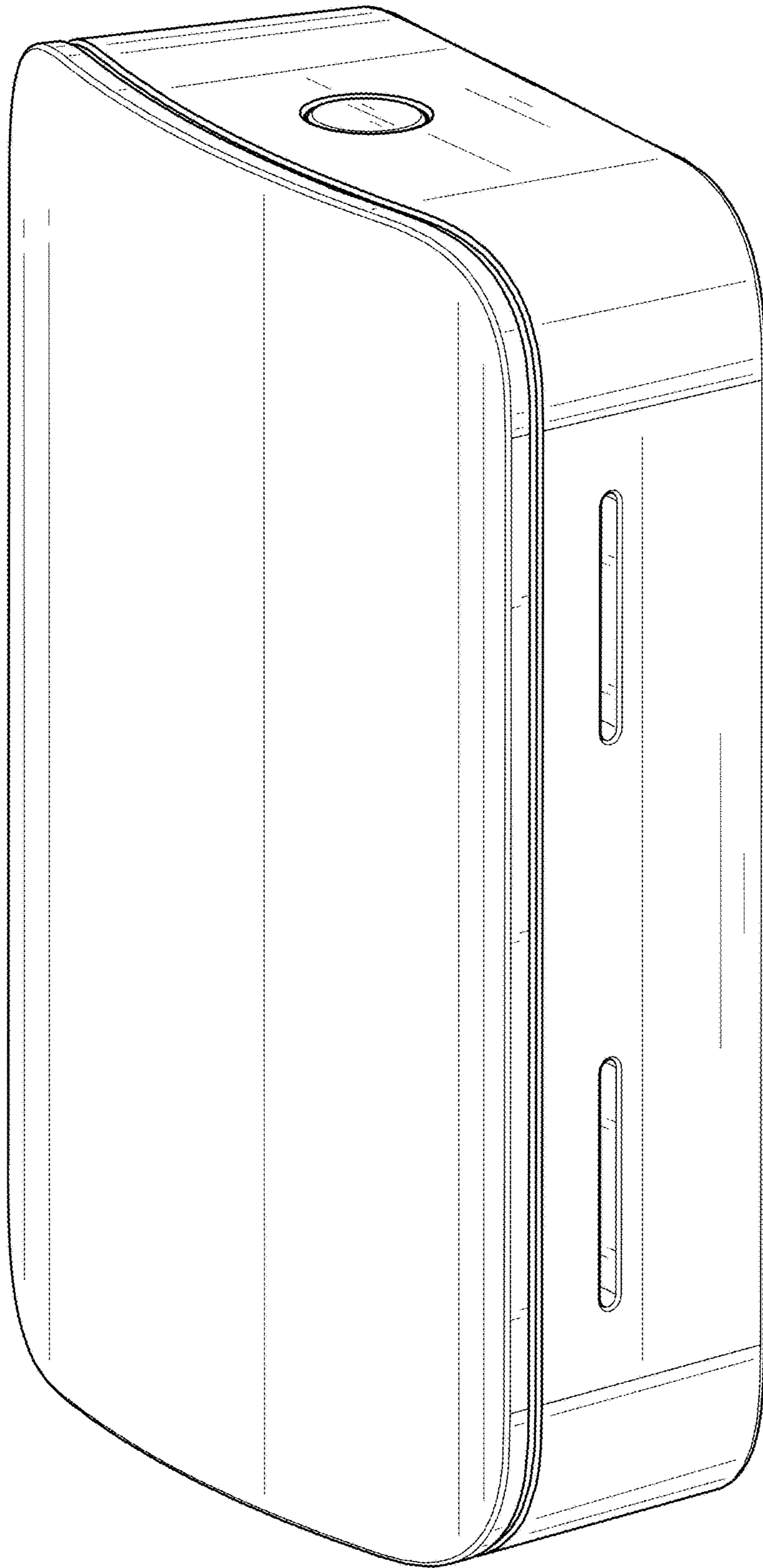


FIG. 1

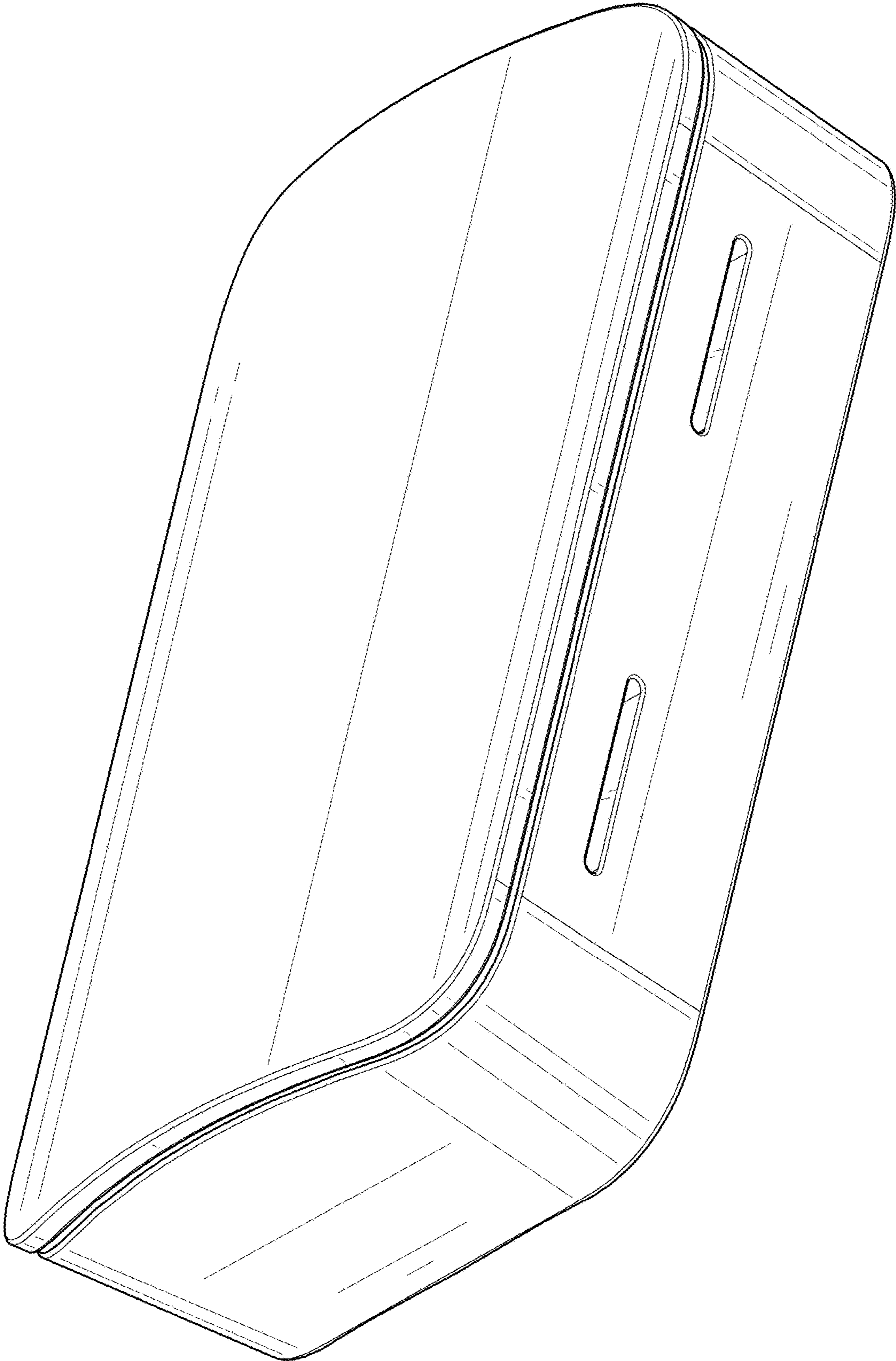


FIG. 2

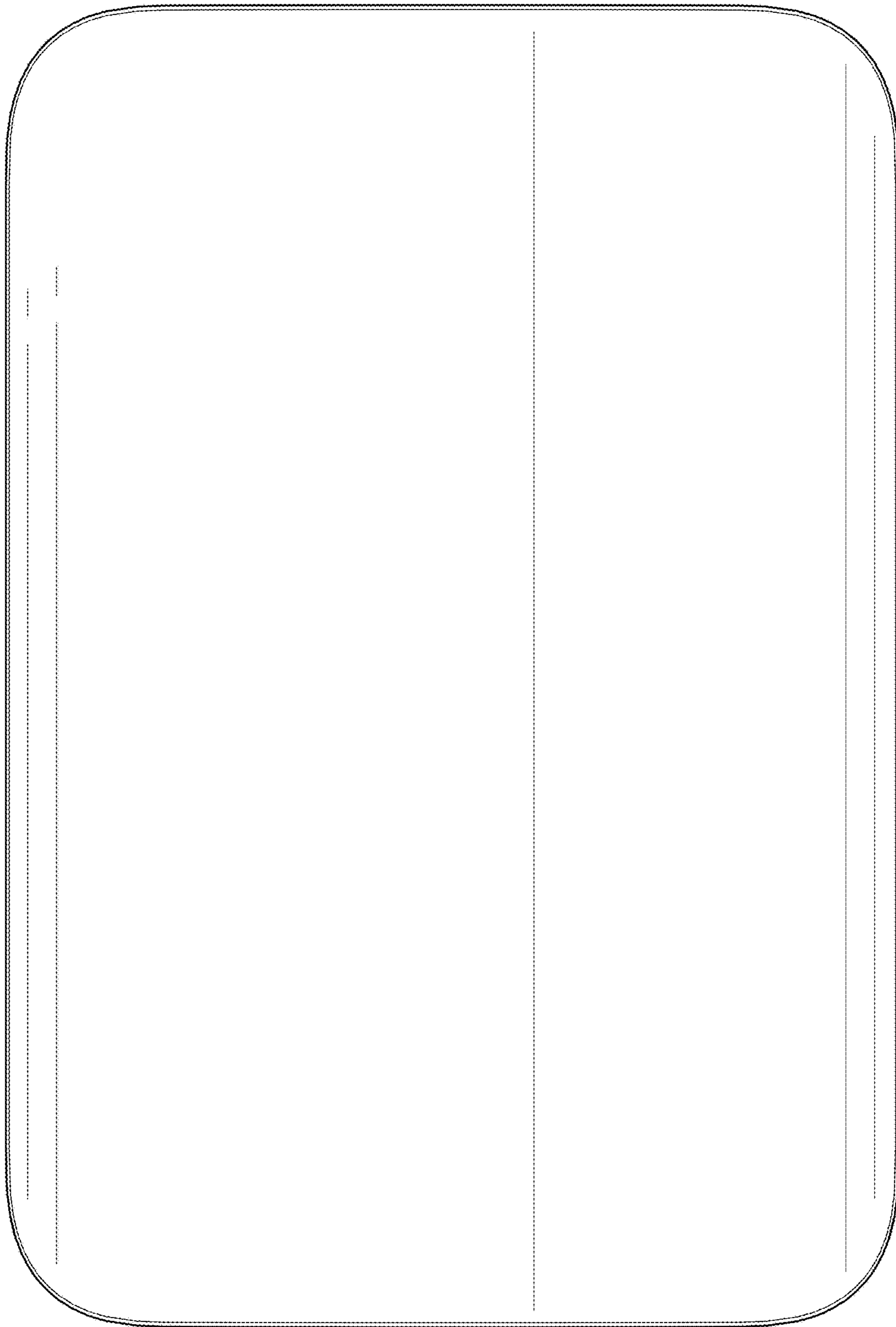


FIG. 3

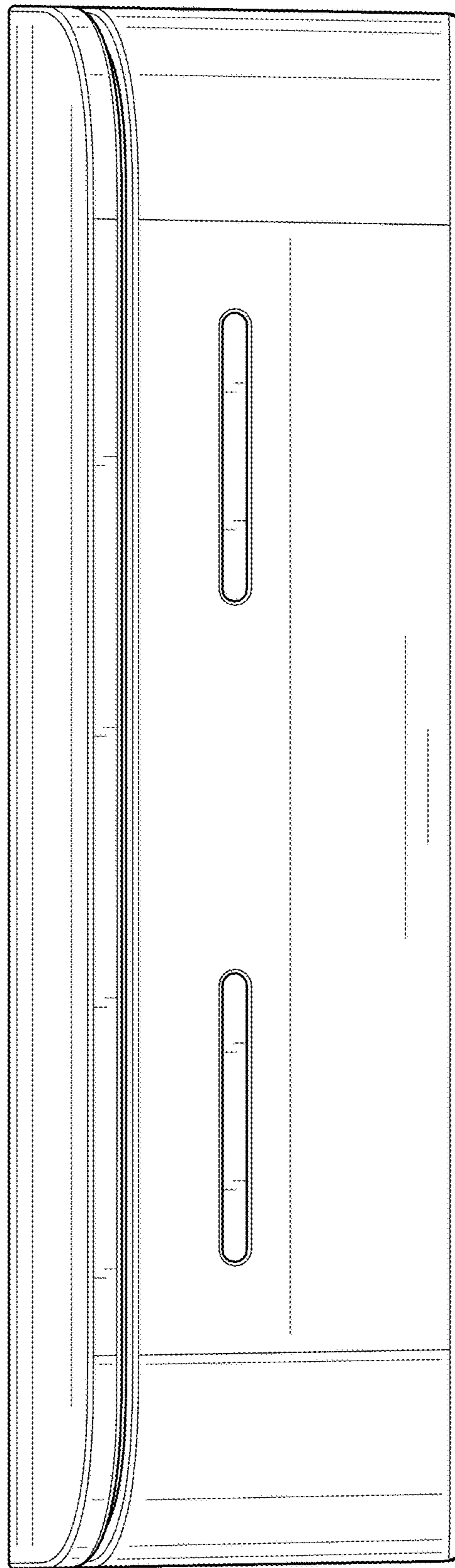


FIG. 4

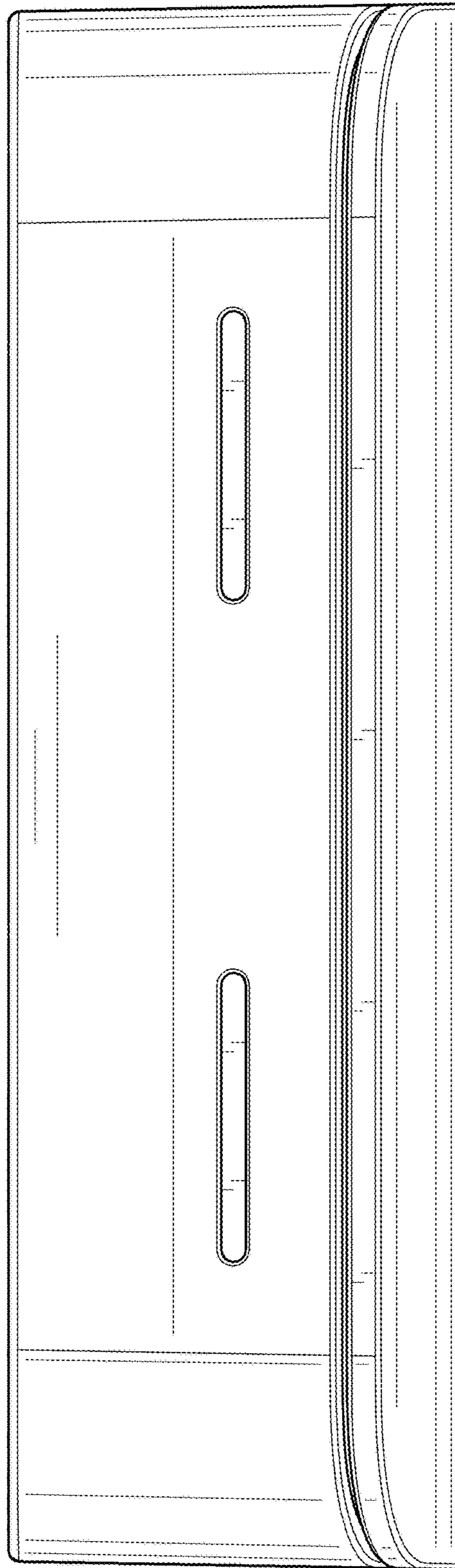


FIG. 5

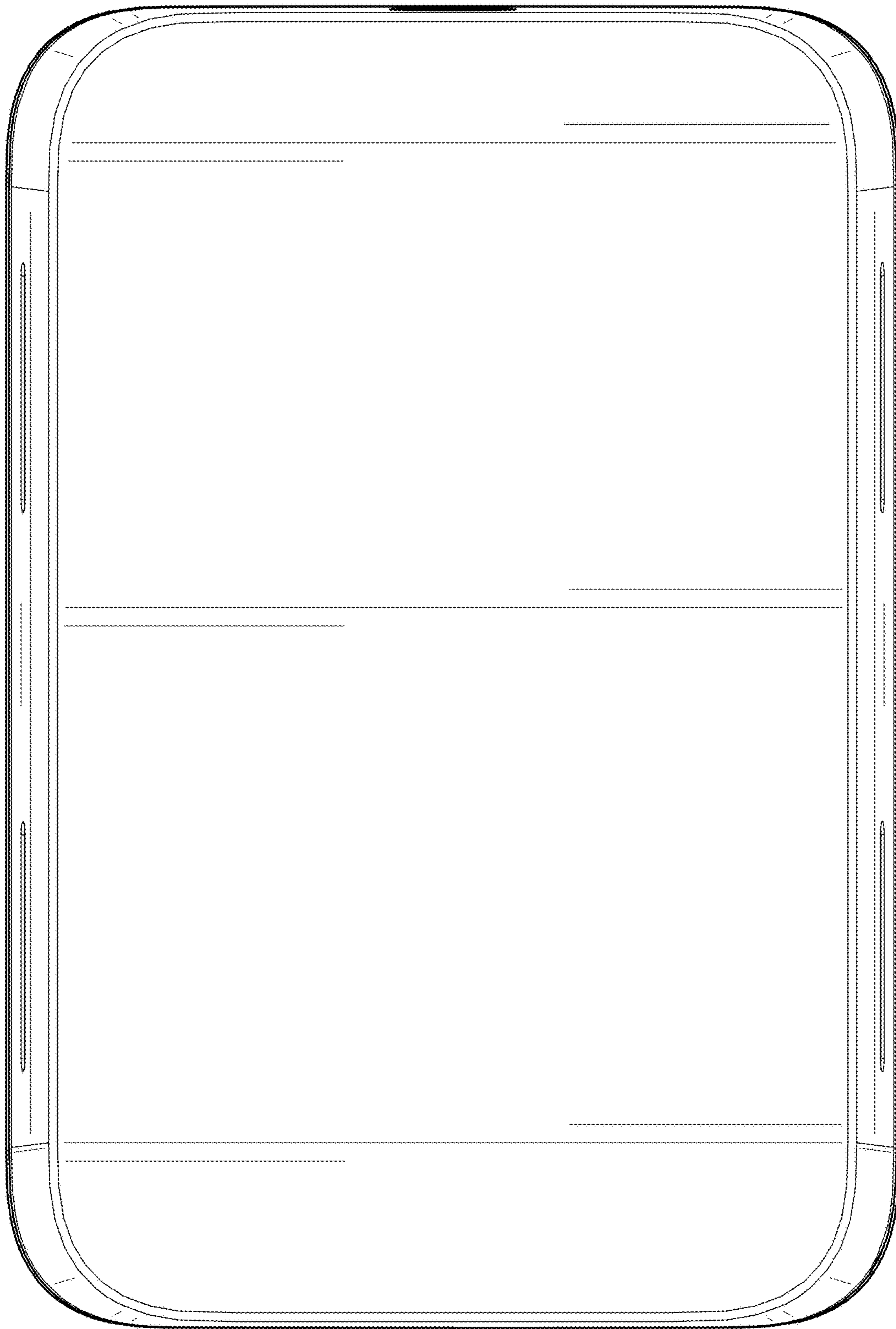


FIG. 6

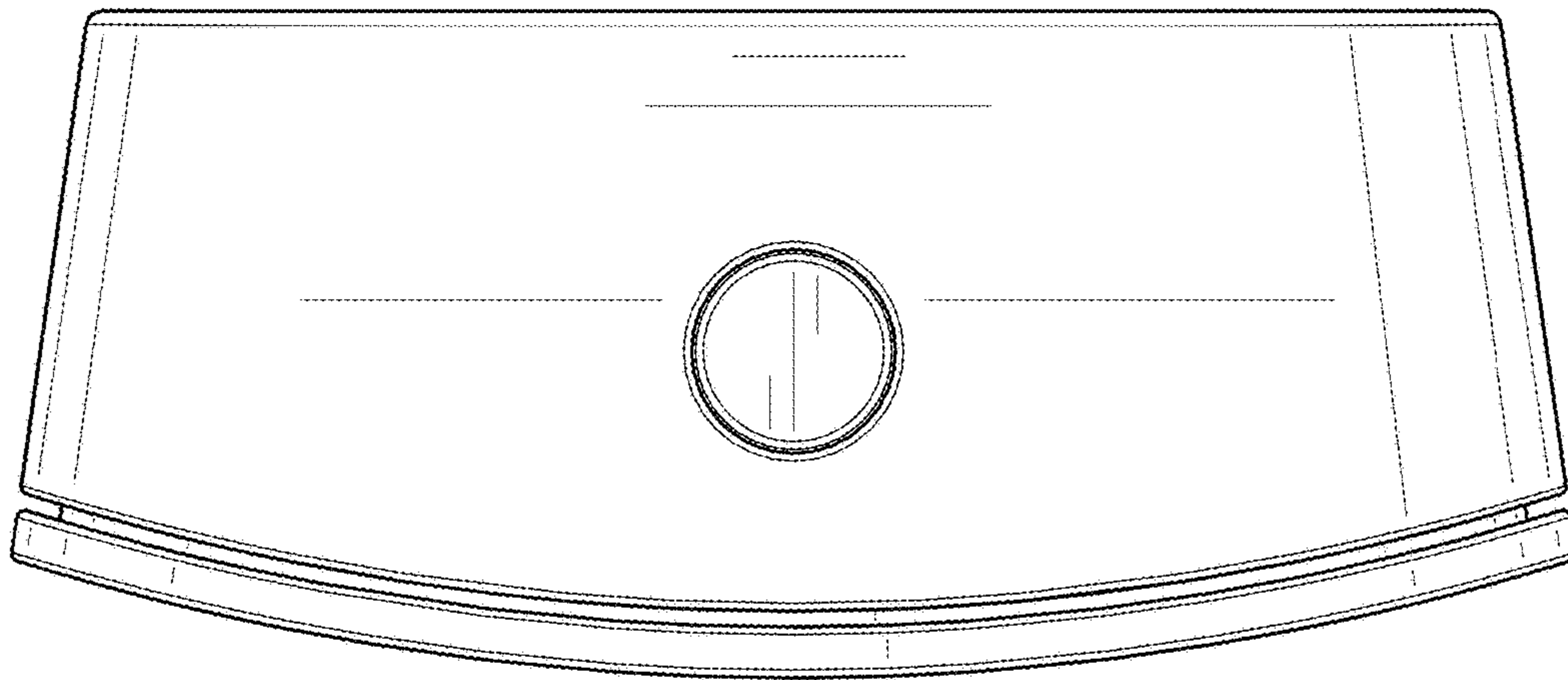


FIG. 7



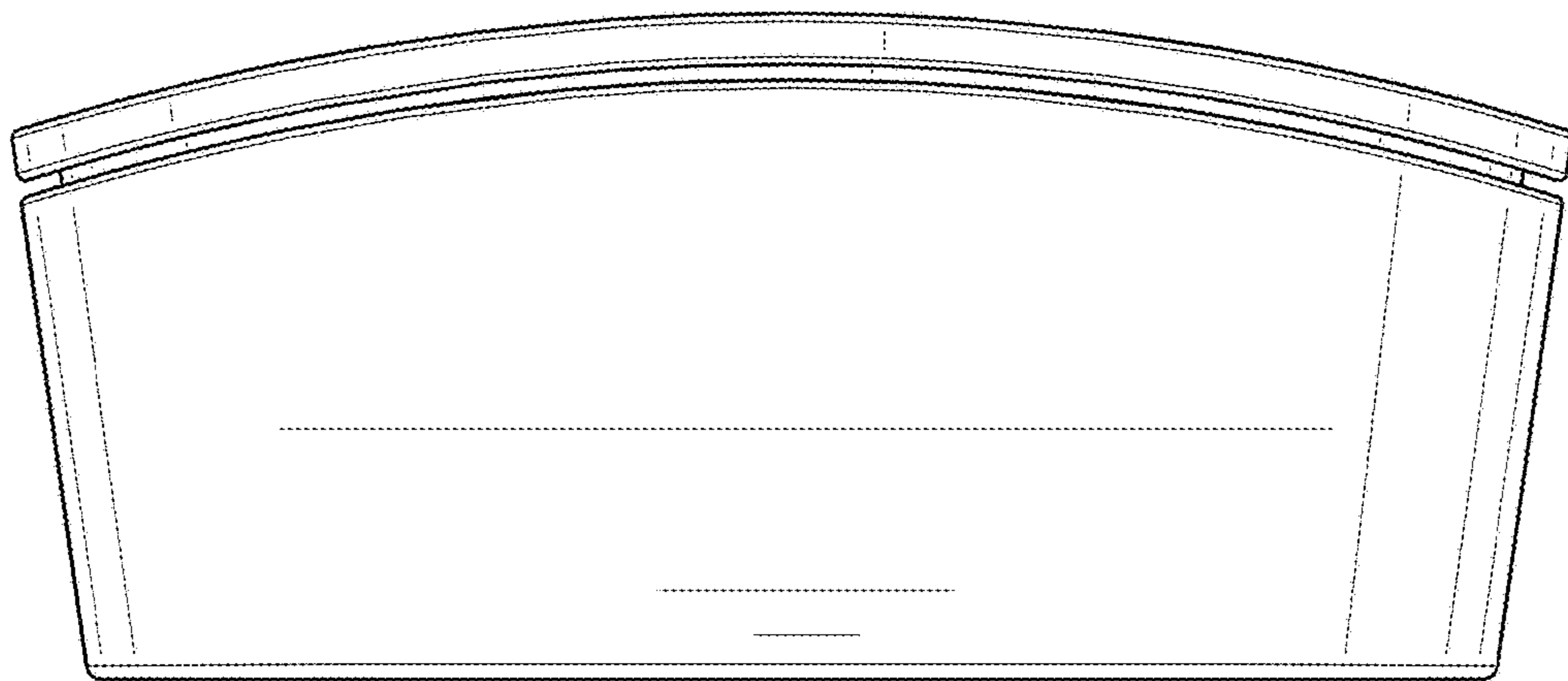


FIG. 8