



US00D848291S

(12) **United States Design Patent** (10) **Patent No.:** **US D848,291 S**
Theiss (45) **Date of Patent:** **** May 14, 2019**

(54) **SURVEYING INSTRUMENT**

(56) **References Cited**

(71) Applicant: **Flexijet GmbH**, Bad Oeynhausen (DE)

U.S. PATENT DOCUMENTS

(72) Inventor: **Peter Theiss**, Boeblingen (DE)

D669,374 S * 10/2012 Ishii D10/66
D783,427 S * 4/2017 Ishii D10/66

(73) Assignee: **Flexijet GmbH**, Bad Oeynhausen (DE)

* cited by examiner

(**) Term: **15 Years**

Primary Examiner — George D. Kirschbaum

(21) Appl. No.: **35/503,917**

(74) *Attorney, Agent, or Firm* — Faegre Baker Daniels
LLP

(22) Filed: **Oct. 19, 2017**

(57) **CLAIM**

(80) **Hague Agreement Data**

The ornamental design for a surveying instrument, as shown
and described.

Int. Filing Date: **Oct. 19, 2017**

Int. Reg. No.: **DM/098214**

Int. Reg. Date: **Oct. 19, 2017**

Int. Reg. Pub. Date: **Nov. 10, 2017**

DESCRIPTION

(30) **Foreign Application Priority Data**

Apr. 27, 2017 (EP) 003874965

(51) **LOC (11) Cl.** **10-04**

(52) **U.S. Cl.**

USPC **D10/66**

(58) **Field of Classification Search**

USPC D10/66

See application file for complete search history.

1. Surveying instrument

1.1 : Perspective

1.2 : Bottom

1.3 : Top

1.4 : Front

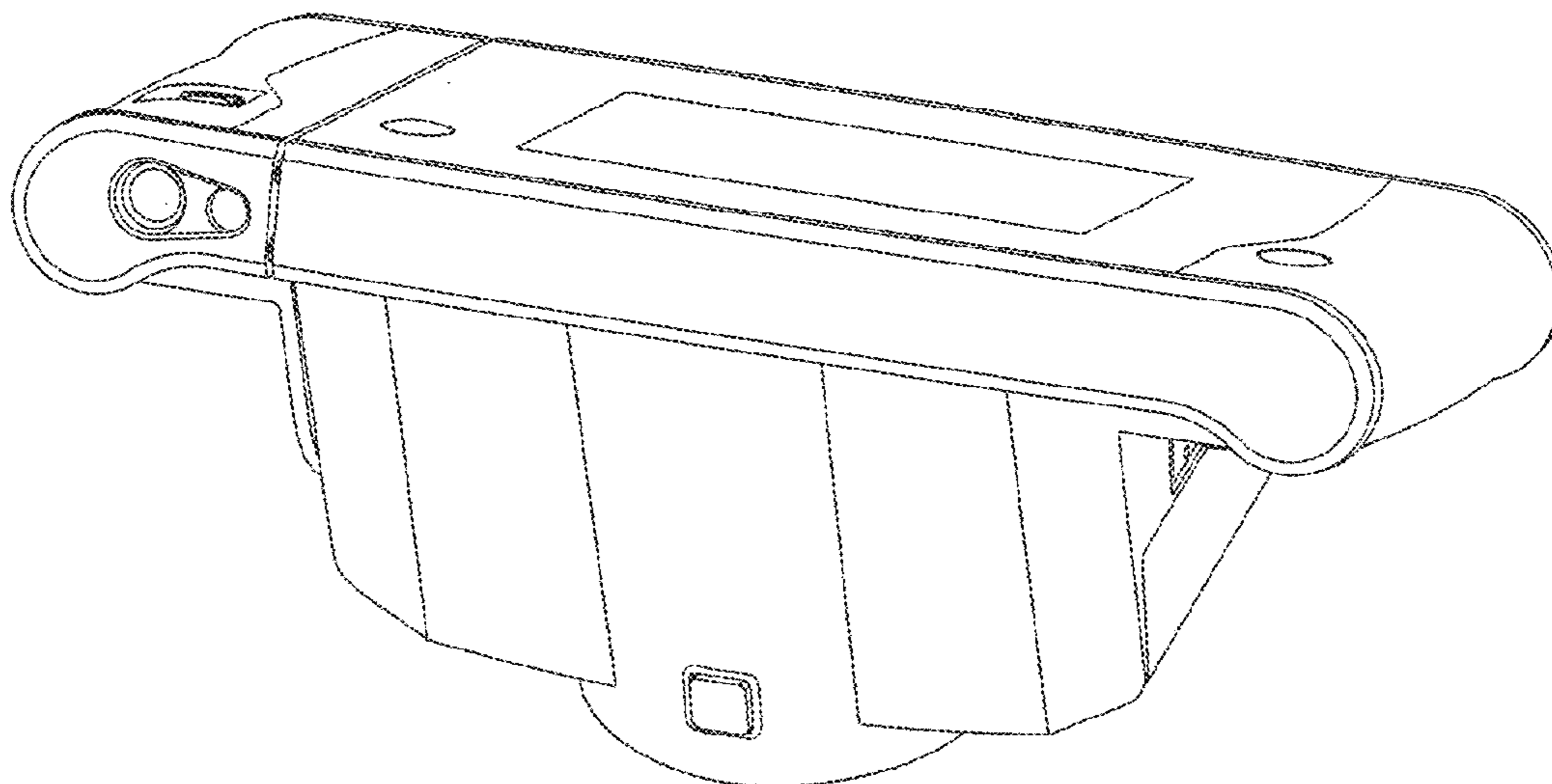
1.5 : Back

1.6 : Right

1.7 : Left

The broken lines depict unclaimed environmental subject
matter.

1 Claim, 7 Drawing Sheets



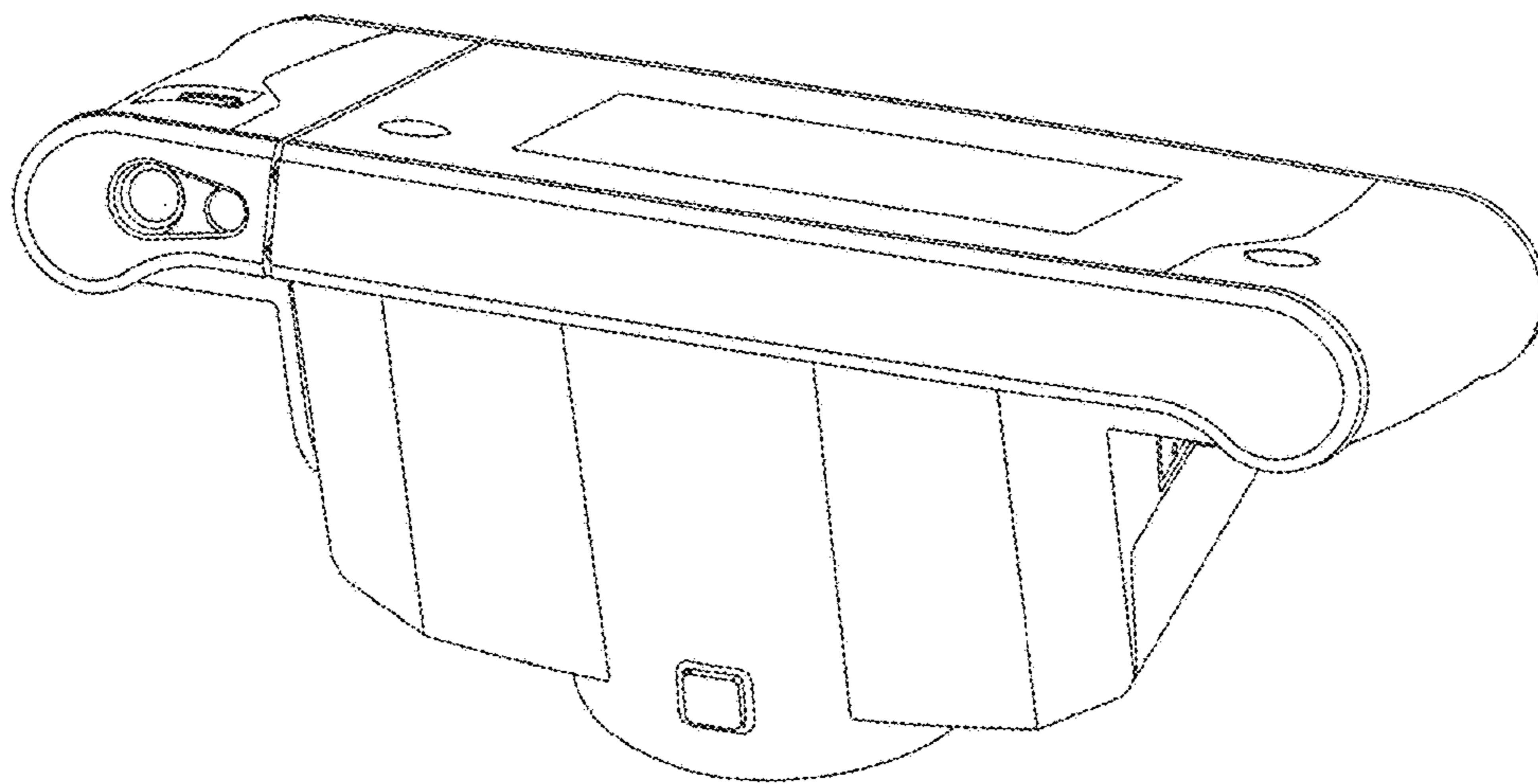


FIG. 1.1

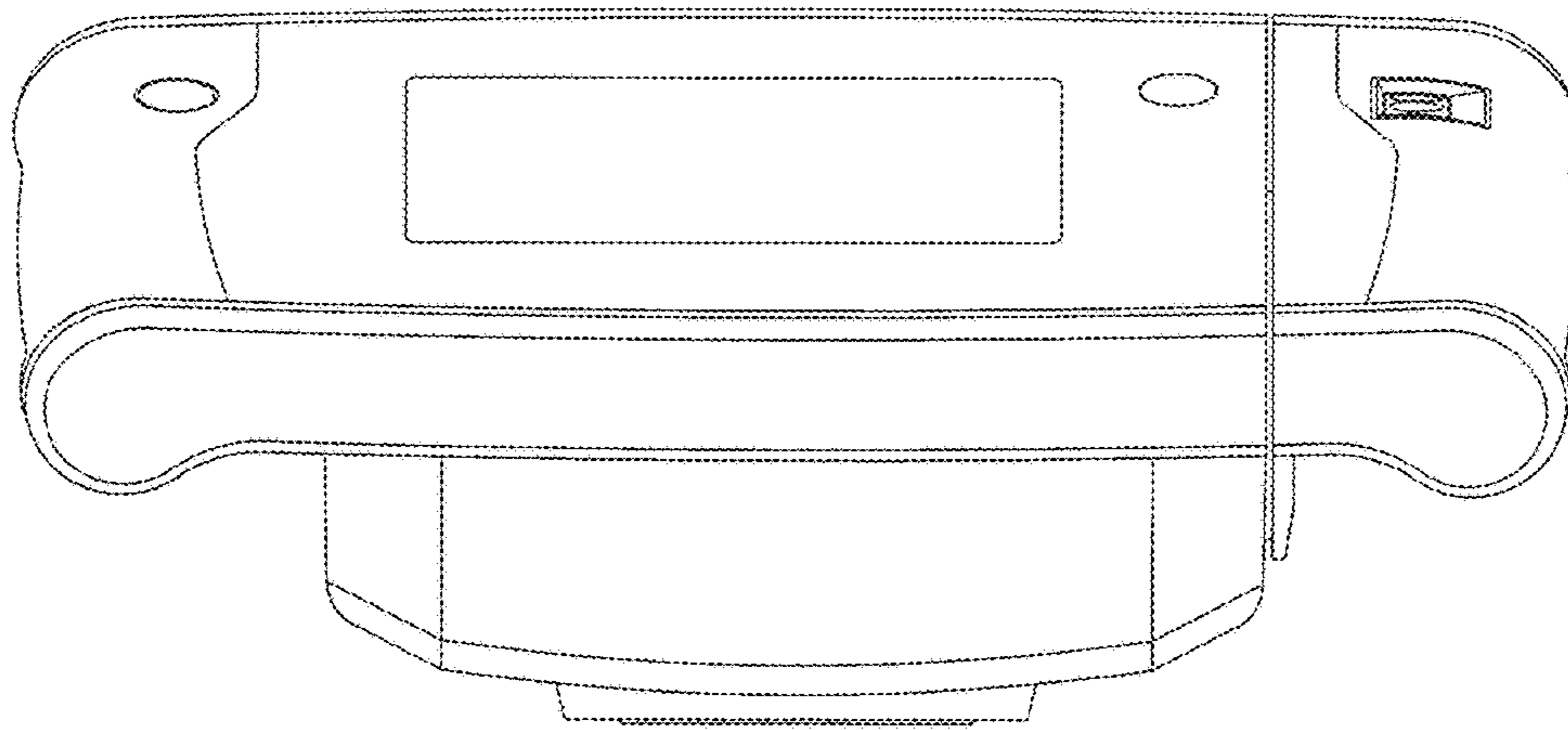


FIG. 1.2

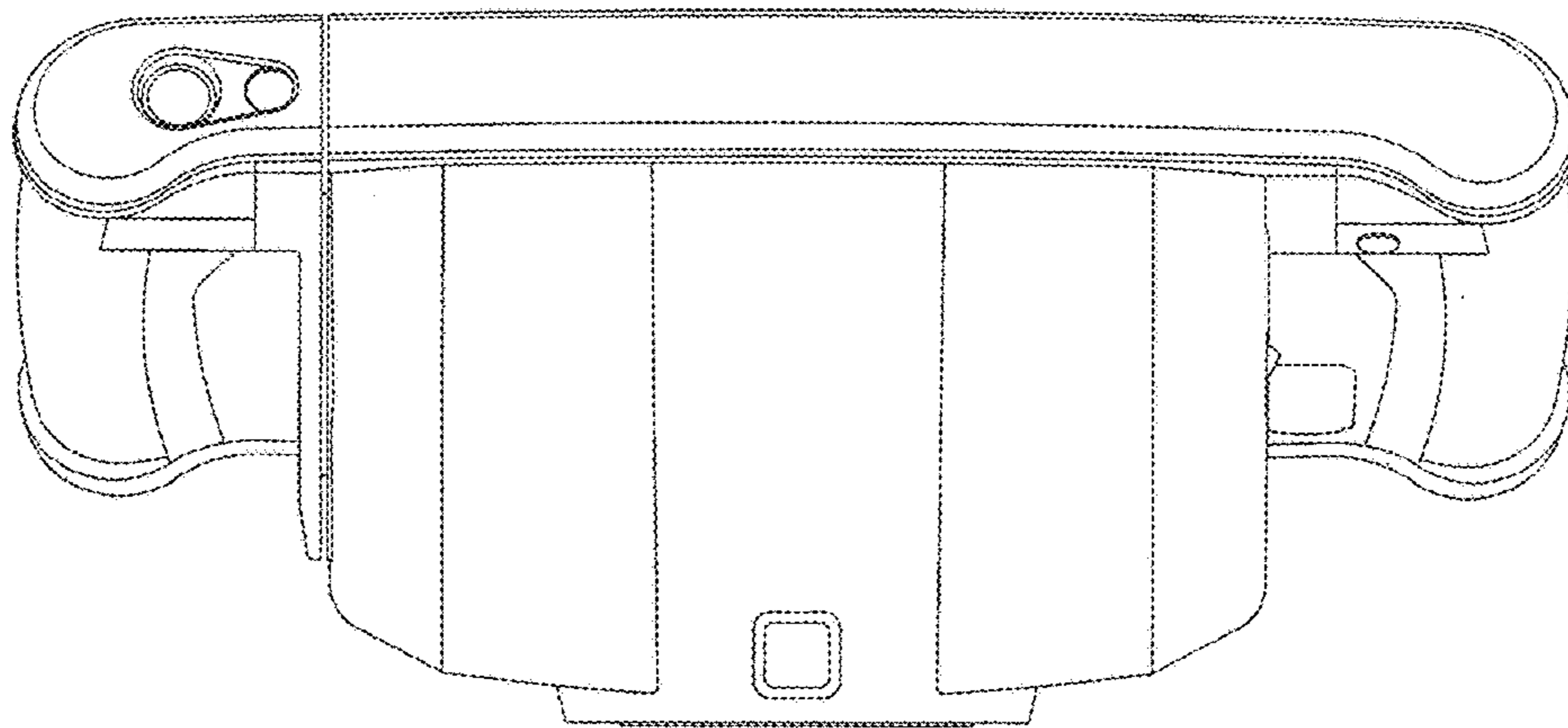


FIG. 1.3

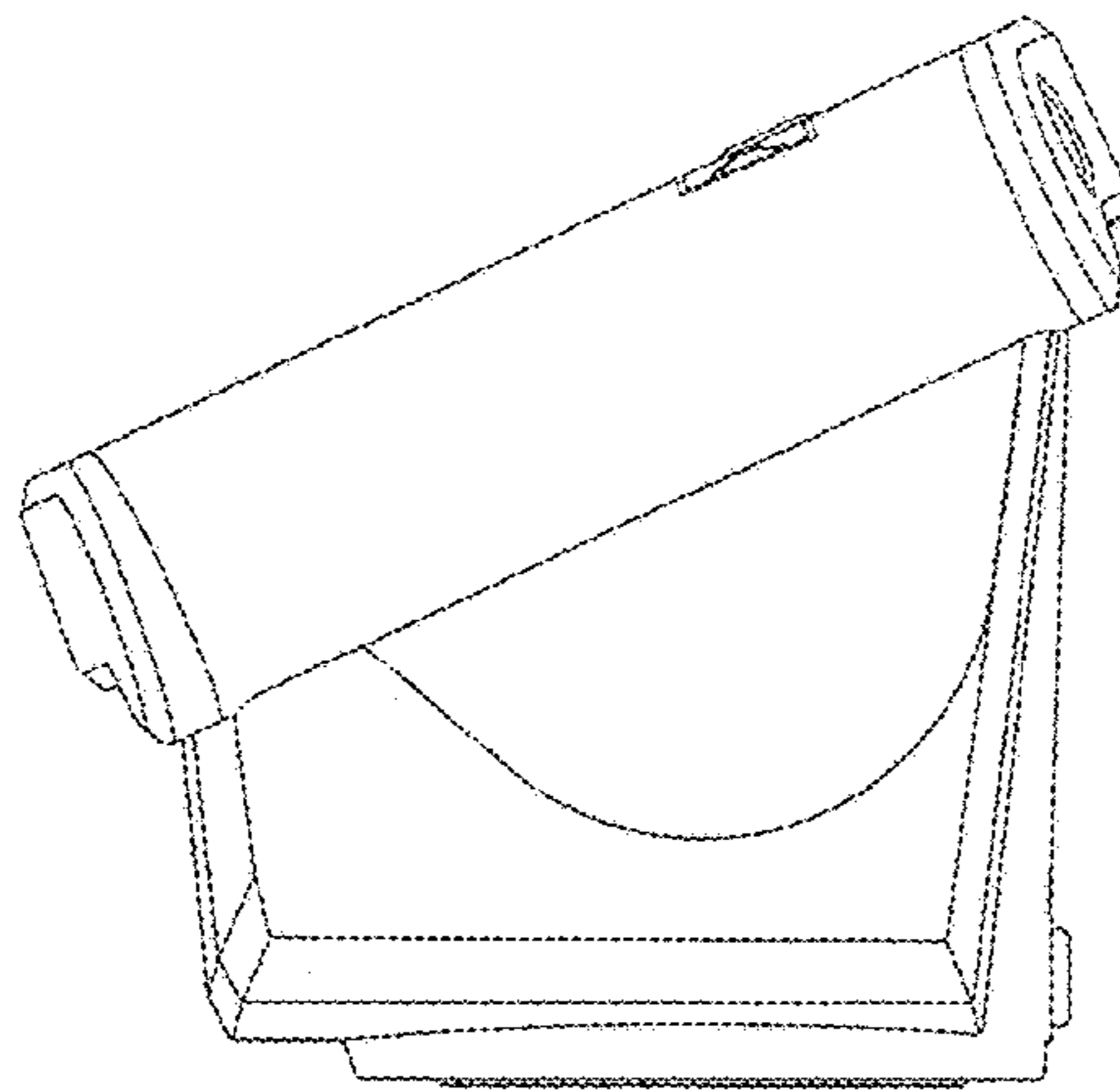


FIG. 1.4

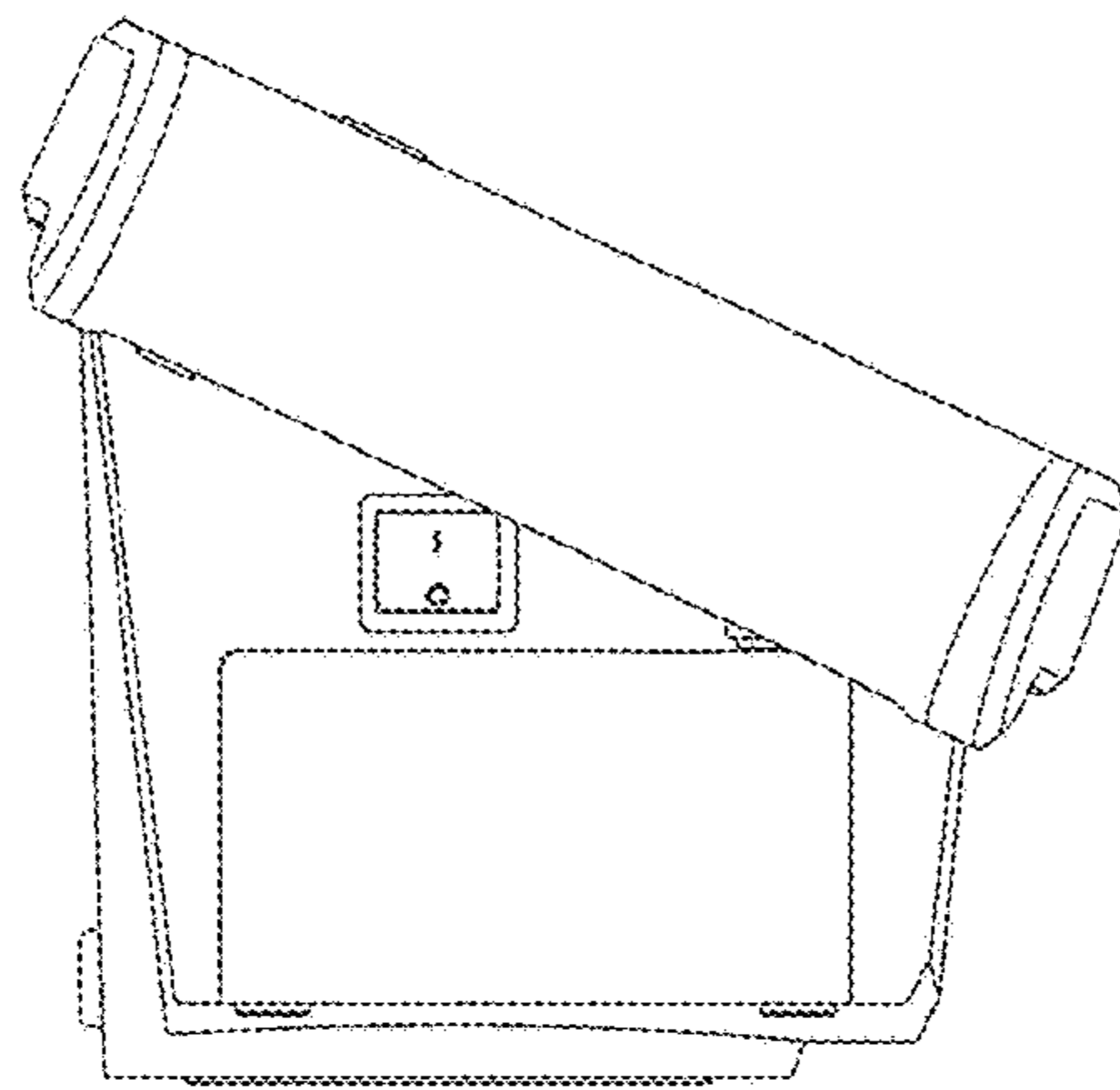


FIG. 1.5

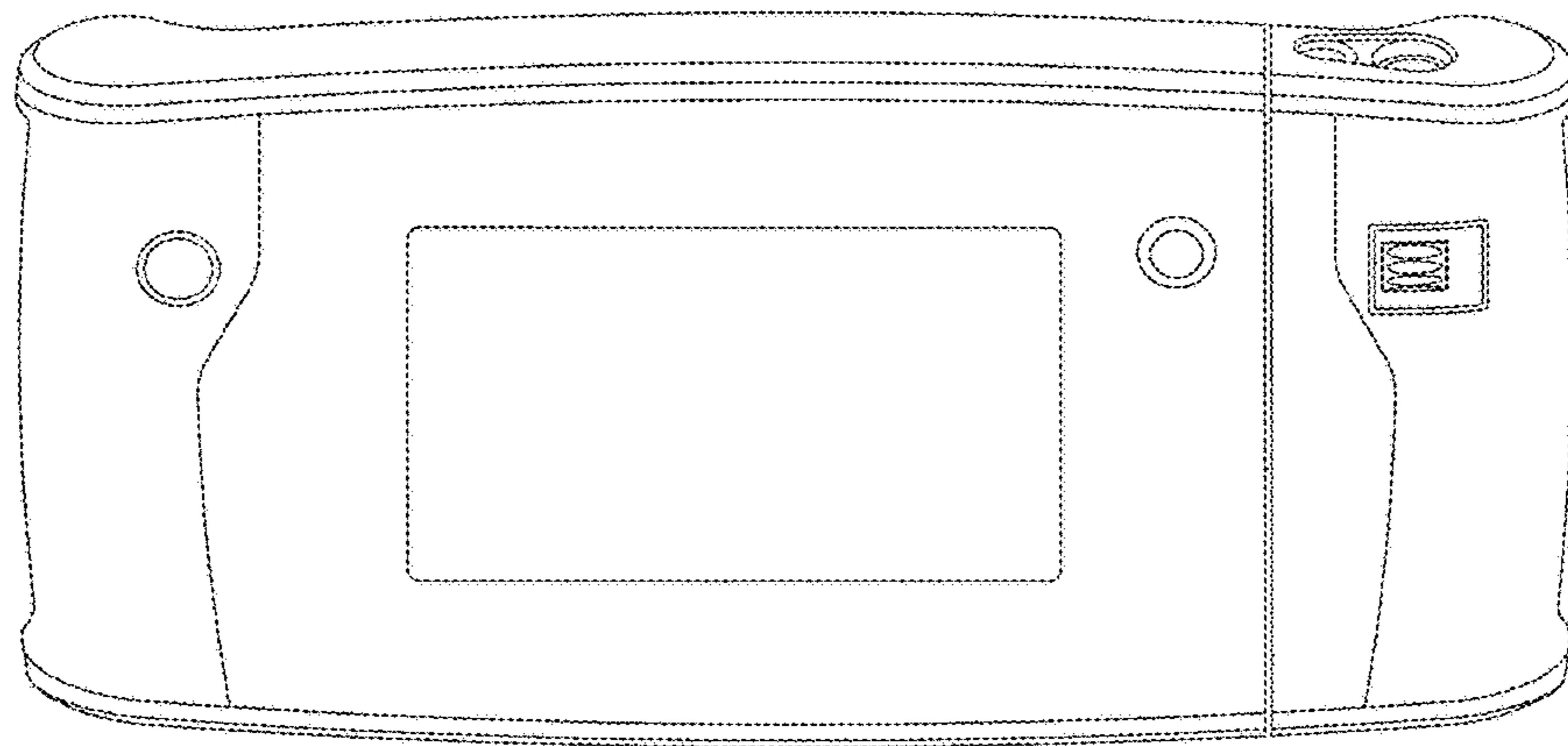


FIG. 1.6

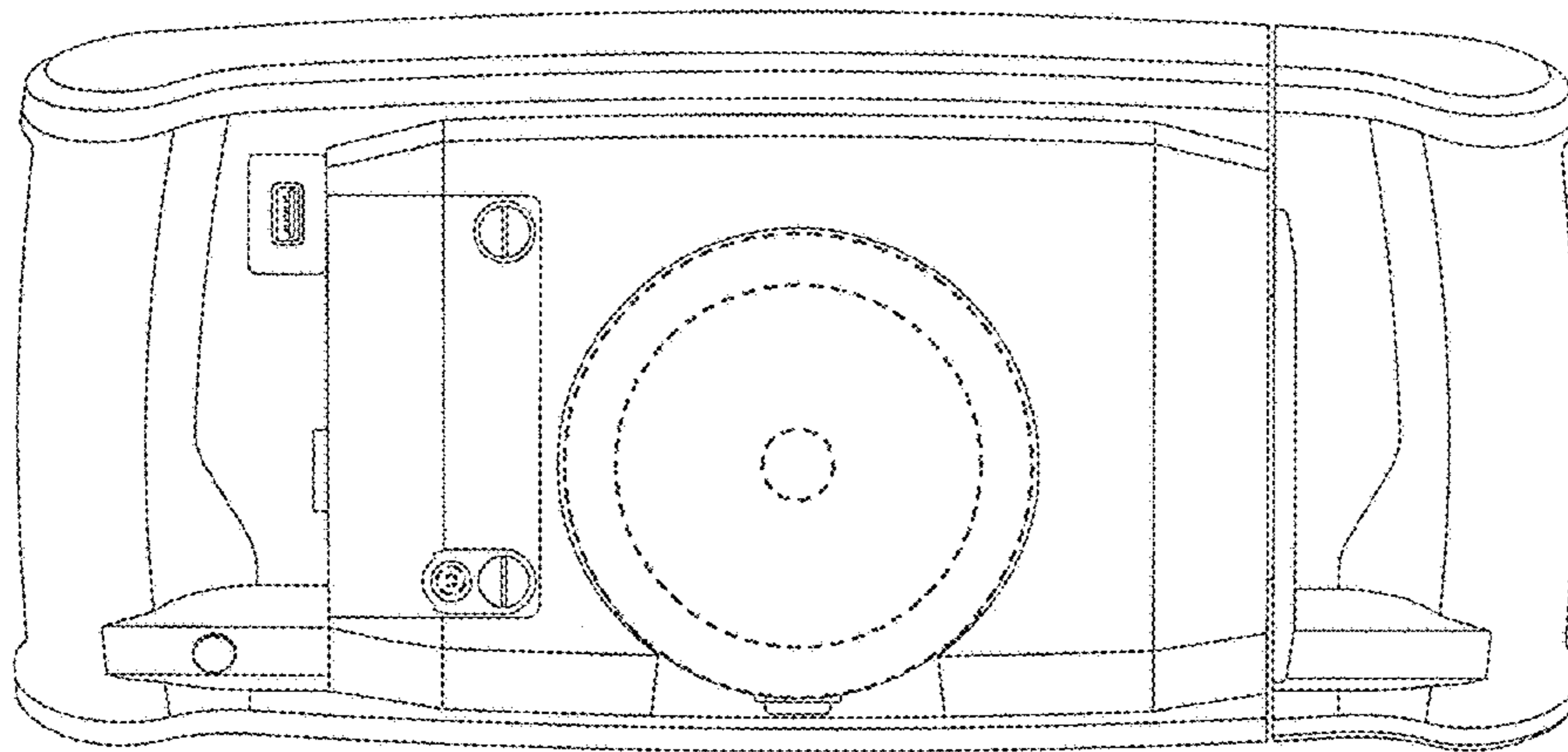


FIG. 1.7