



US00D848290S

(12) **United States Design Patent** (10) **Patent No.:** **US D848,290 S**
Janzen (45) **Date of Patent:** **** May 14, 2019**

(54) **WRISTWATCH**

(71) Applicant: **Adrian Nicholas Solgaard Janzen**,
Abbotsford (CA)
(72) Inventor: **Adrian Nicholas Solgaard Janzen**,
Abbotsford (CA)

(**) Term: **15 Years**

(21) Appl. No.: **29/621,150**

(22) Filed: **Oct. 4, 2017**

(51) **LOC (11) Cl.** **10-02**

(52) **U.S. Cl.**
USPC **D10/39**

(58) **Field of Classification Search**

USPC D10/1-2, 10, 30-33, 36-39, 98-99,
D10/122-124, 126-128, 132; D11/3;
D14/344; D24/167, 186
CPC G04B 19/00; G04B 19/04; G04B 19/06;
G04B 19/065; G04B 19/08; G04B
19/085; G04B 19/10; G04B 19/103;
G04B 19/106; G04B 47/042; G04B
47/048; G04B 19/12; G04B 19/18; G04B
19/223; G04B 19/22; G04B 19/283;
G04B 37/00; G04B 37/0008; G04B
37/0058; G04B 37/04; G04B 37/0418;
G04B 45/0061; G04B 45/0069; G04B
19/26; G04B 19/264; G04D 3/04; A44C
5/00; A44C 5/0053; G04C 19/00; G04C
19/02; G04C 3/001; G04F 1/00; G04F
3/00; G04F 3/02; G04G 17/00; G04G
17/005; G04G 17/02-17/04; G04G 17/08

See application file for complete search history.

(56) **References Cited**

U.S. PATENT DOCUMENTS

1,634,447 A * 7/1927 Bowen G04B 37/04
29/896.33
D278,039 S * 3/1985 Sakai D10/37
D301,310 S * 5/1989 Nakai D10/32

(Continued)

OTHER PUBLICATIONS

Piaget Hexagonal Watch | posted at the-saleroom.com Sep. 2013 ©
2018 Metropress Ltd [online][site visited Sep. 30, 2018]. Available
from internet: <https://www.the-saleroom.com/en-gb/auction-
catalogues/cuttlestones/catalogue-id-cuttle10013/lot-f0fc293c-d55a-
4ace-8e48-a442014c2a60> (Year: 2013).*

(Continued)

Primary Examiner — Sandra S Snapp

Assistant Examiner — Katherine Glennon

(74) *Attorney, Agent, or Firm* — Paradice and Li LLP

(57) **CLAIM**

The ornamental design for a wristwatch, as shown and
described.

DESCRIPTION

FIG. 1 is a front perspective view of a wristwatch showing
my new design; the broken lines showing portions of the
wristwatch illustrate environmental structure only and form
no part of the claimed design.

FIG. 2 is a top plan view of the wristwatch of FIG. 1; the
broken lines showing portions of the wristwatch illustrate
environmental structure only and form no part of the
claimed design.

FIG. 3 is a bottom plan view of the wristwatch of FIG. 1; the
broken lines showing portions of the wristwatch illustrate
environmental structure only and form no part of the
claimed design.

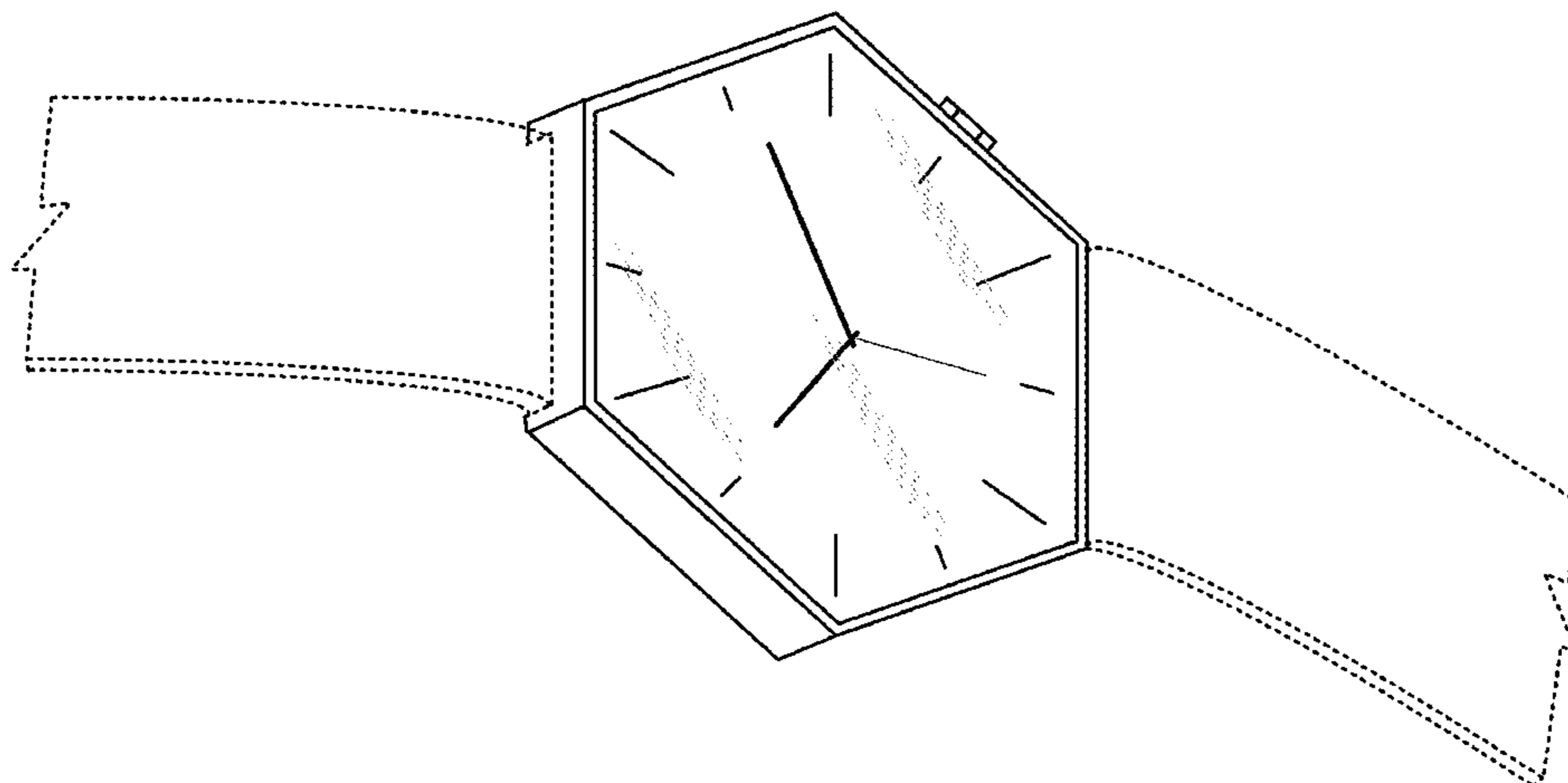
FIG. 4 is a right side elevation view of the wristwatch of
FIG. 1.

FIG. 5 is a left side elevation view of the wristwatch of FIG.
1.

FIG. 6 is a front elevation view of the wristwatch of FIG. 1;
and,

FIG. 7 is a rear elevation view of the wristwatch of FIG. 1.

1 Claim, 4 Drawing Sheets



(56)

References Cited

U.S. PATENT DOCUMENTS

4,926,572 A * 5/1990 Holmes A61J 7/0481
40/448
D310,489 S 9/1990 Nomura
D310,634 S 9/1990 Nomura
D313,187 S * 12/1990 Muller D10/39
D337,067 S * 7/1993 Patterson D10/106.1
5,285,430 A * 2/1994 Decker G04B 37/0058
368/223
D361,530 S * 8/1995 Bulgari D10/30
D361,723 S * 8/1995 Nanayakkara D10/30
D437,790 S * 2/2001 Isley D10/31
D536,265 S * 2/2007 Reynoso D10/31
D568,181 S * 5/2008 Rabassa D10/39
D714,164 S * 9/2014 Vuilleumier D10/30
D765,117 S 8/2016 Joo et al.
D765,133 S 8/2016 Joo et al.
D765,720 S 9/2016 Joo et al.

OTHER PUBLICATIONS

Rolex Cellini Hexagon Watch Vintage | posted at garo-luxury.com
n.d. 1975 model © 2018 Garo Luxury [online][site visited Sep. 20,
2018]. Available from internet: <[https://www.garo-luxury.com/
products/rolex-cellini-hexagon-mens-watch-vintage](https://www.garo-luxury.com/products/rolex-cellini-hexagon-mens-watch-vintage)> (Year: 1975).*

Solgaard hexagonal watch | posted at watchpro.com Dec. 11, 2017
© 2015 Promedia Publishing Ltd. [online][site visited Sep. 20,
2018]. Available from internet: <[http://usa.watchpro.com/solgaard-
continue-streak-unusual-design-line-oversized-hexagonal-
watches/](http://usa.watchpro.com/solgaard-continue-streak-unusual-design-line-oversized-hexagonal-watches/)> (Year: 2017).*

Russian Diver Watch | posted at uniquewatchguide.com n.d.; watch
circa 1990 © © 2015 Unique Watch Guide [online][site visited Sep.
30, 2018]. Available from internet: <[http://www.uniquewatchguide.
com/russian-diver-watch/](http://www.uniquewatchguide.com/russian-diver-watch/)> (Year: 1990).*

* cited by examiner

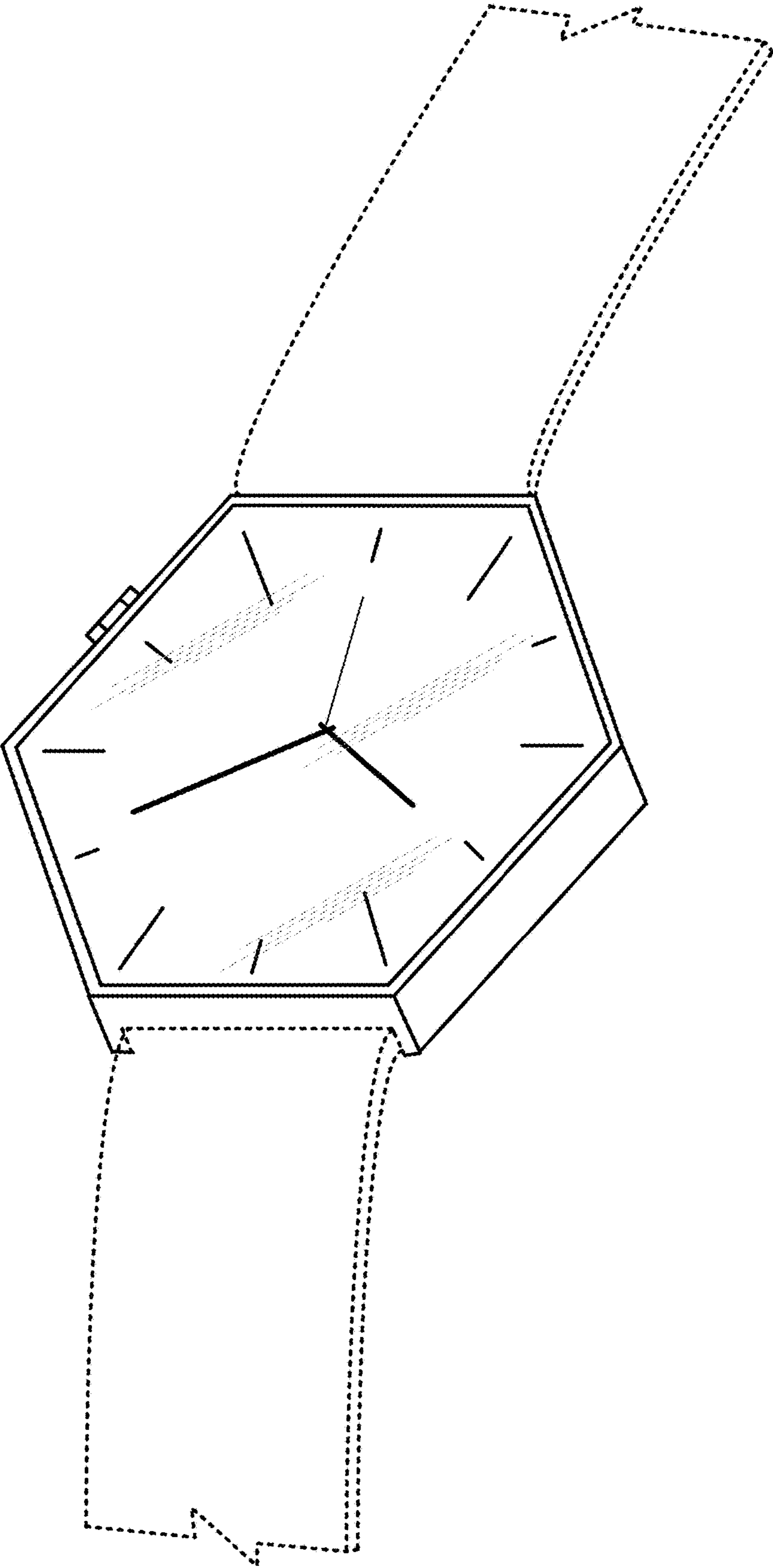


Figure 1

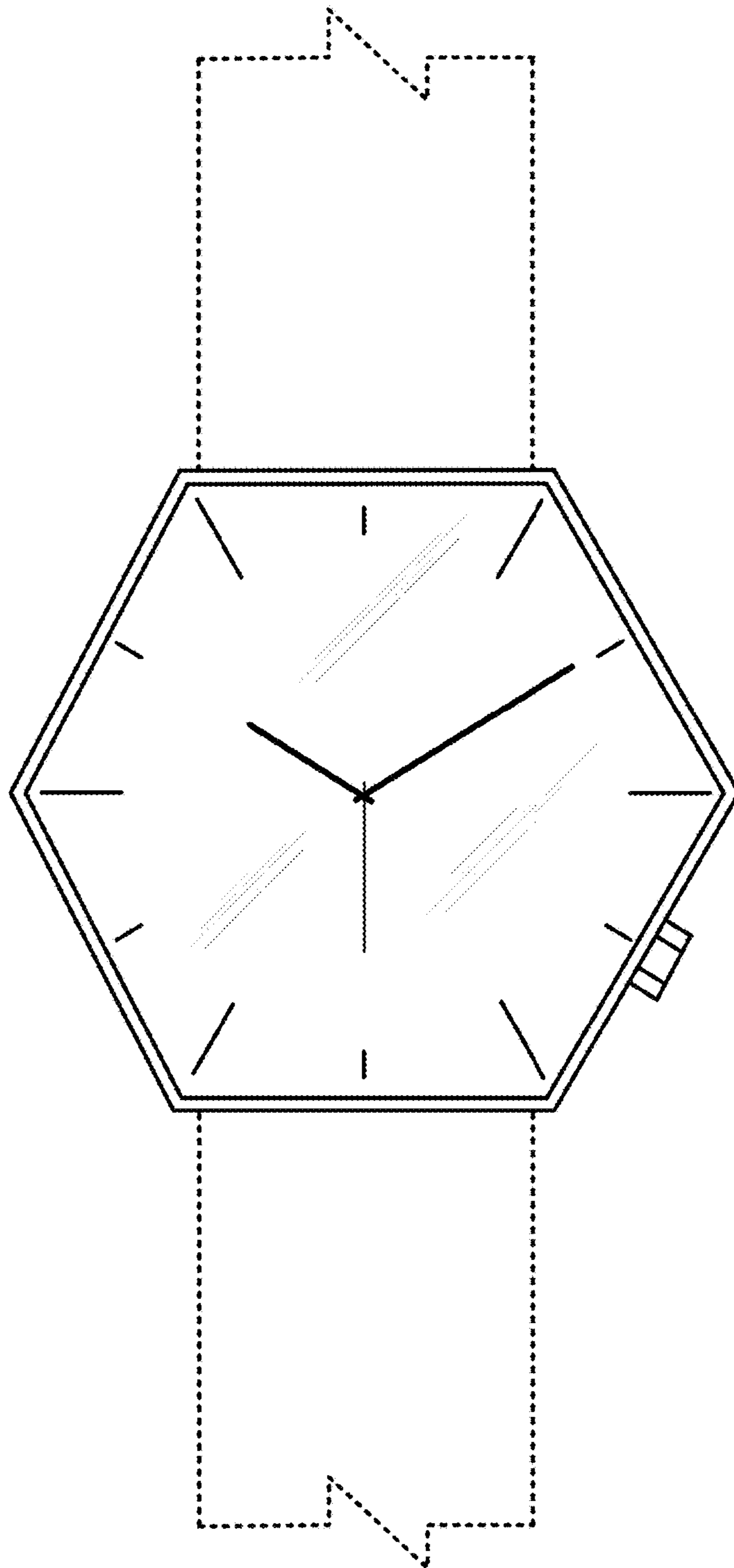


Figure 2

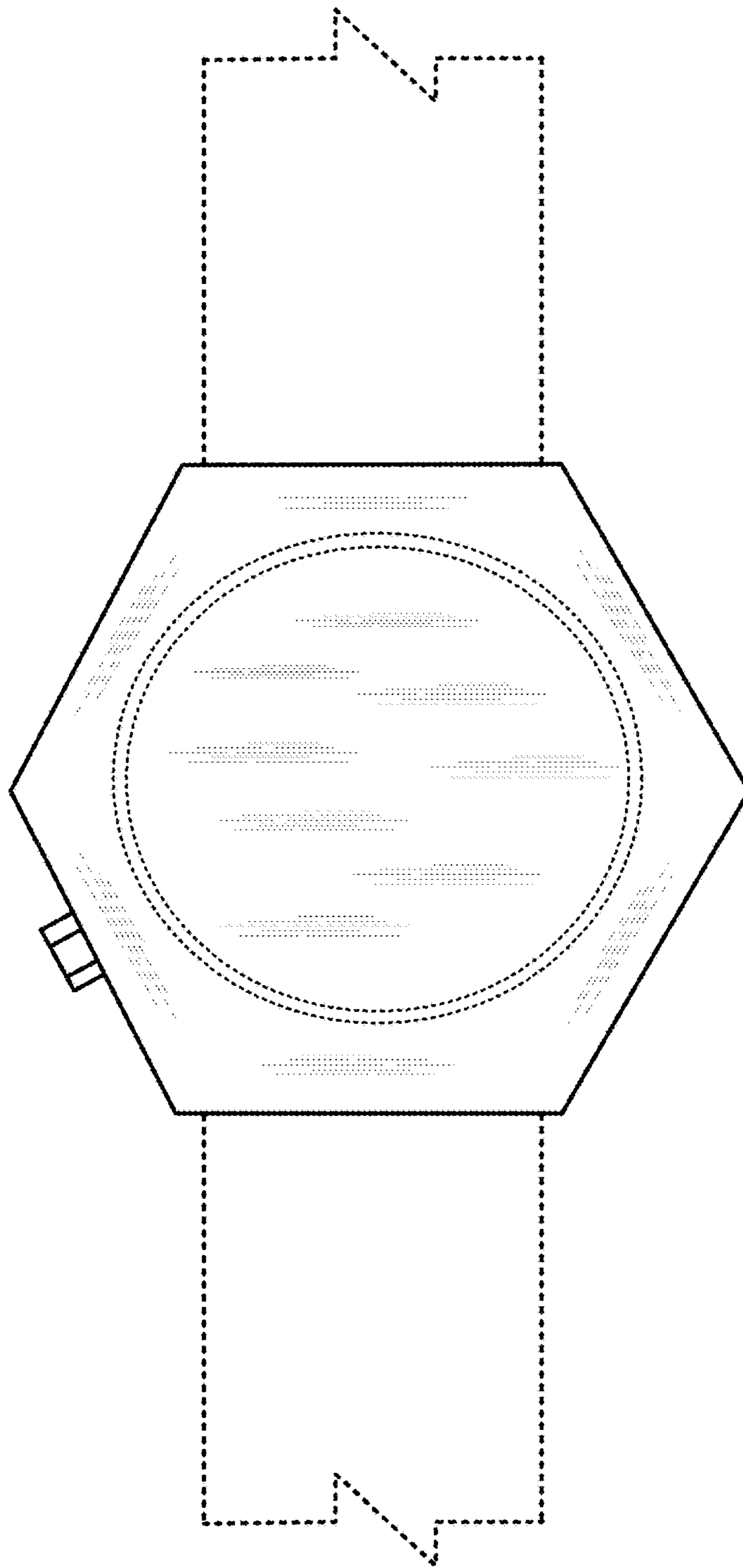


Figure 3

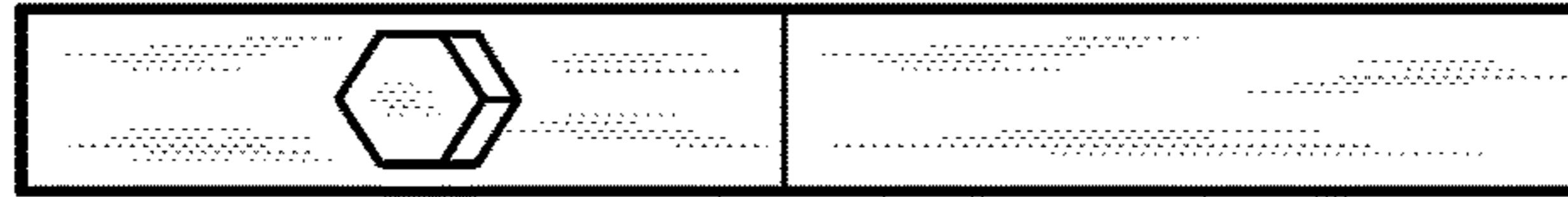


Figure 4

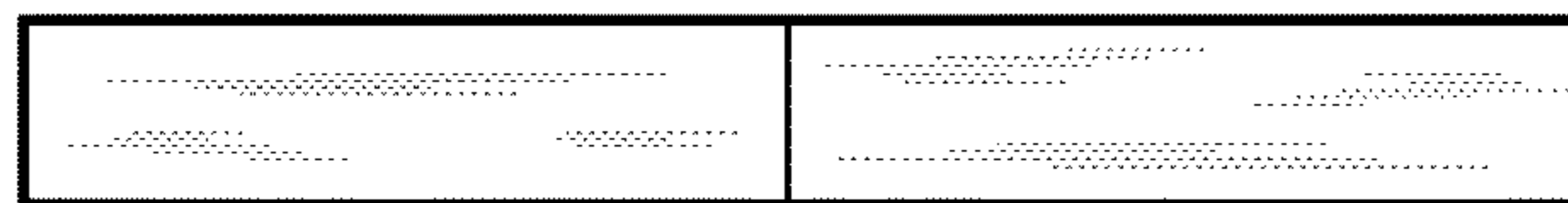


Figure 5

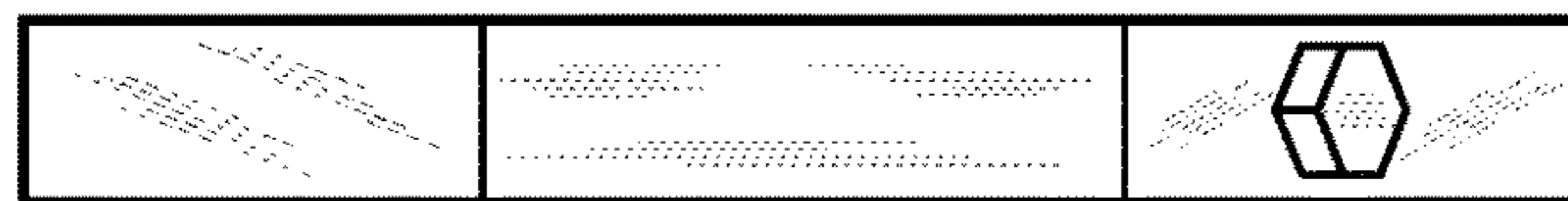


Figure 6

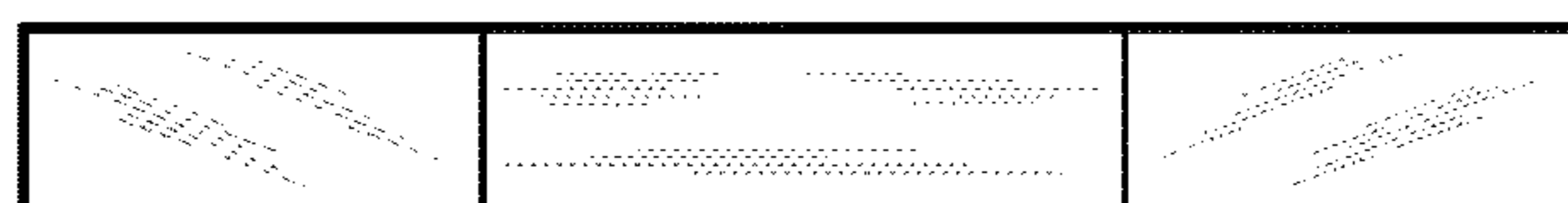


Figure 7