



US00D848287S

(12) **United States Design Patent** (10) **Patent No.:** **US D848,287 S**
Nakai (45) **Date of Patent:** **** May 14, 2019**

(54) **WRIST WATCH**

3/00; G04F 3/02; G04G 17/00; G04G 17/005; G04G 17/02-17/04; G04G 17/08

See application file for complete search history.

(71) Applicant: **CASIO KEISANKI KABUSHIKI KAISHA**, Shibuya-ku, Tokyo (JP)

(56) **References Cited**

(72) Inventor: **Toshio Nakai**, Tokyo (JP)

U.S. PATENT DOCUMENTS

(73) Assignee: **CASIO KEISANKI KABUSHIKI KAISHA**, Tokyo (JP)

D527,282	S	*	8/2006	Nakai	D10/38
D658,080	S	*	4/2012	Syoubayashi	D10/38
D663,222	S	*	7/2012	Nakai	D10/39
D741,202	S	*	10/2015	Goto	D10/30
D742,252	S	*	11/2015	Akagi	D10/126
D742,762	S	*	11/2015	Syoubayashi	D10/126
D742,763	S	*	11/2015	Hashimoto	D10/126

(**) Term: **15 Years**

(Continued)

(21) Appl. No.: **29/626,948**

(22) Filed: **Nov. 21, 2017**

OTHER PUBLICATIONS

(30) **Foreign Application Priority Data**

May 22, 2017 (CN) 2017 3 0191746

G-Shock Mudmaster GSG-100 Series | posted at g-central.com Feb. 2018 © 2018 G-Central G-Shock Watch Blog [online][site visited Oct. 15, 2018]. Available from internet: <<https://www.g-central.com/g-shock-mudmaster-gsg-100-series-with-tough-solad>> (Year: 2018).*

(51) **LOC (11) Cl.** **10-02**

Primary Examiner — Sandra S Snapp

(52) **U.S. Cl.**

Assistant Examiner — Katherine Glennon

USPC **D10/38**

(74) *Attorney, Agent, or Firm* — Holtz, Holtz & Volek PC

(58) **Field of Classification Search**

USPC D10/1-2, 10, 30-33, 36-39, 98-99, D10/122-124, 126-128, 132; D11/3; D14/344; D24/167, 186

(57) **CLAIM**

The ornamental design for a wristwatch, as shown and described.

CPC G04B 19/00; G04B 19/04; G04B 19/06; G04B 19/065; G04B 19/08; G04B 19/085; G04B 19/10; G04B 19/103; G04B 19/106; G04B 47/042; G04B 47/048; G04B 19/12; G04B 19/18; G04B 19/223; G04B 19/22; G04B 19/283; G04B 37/00; G04B 37/0008; G04B 37/0058; G04B 37/04; G04B 37/0418; G04B 45/0061; G04B 45/0069; G04B 19/26; G04B 19/264; G04D 3/04; A44C 5/00; A44C 5/0053; G04C 19/00; G04C 19/02; G04C 3/001; G04F 1/00; G04F

DESCRIPTION

FIG. 1 is a front, right side, bottom perspective view of a wrist watch showing my new design;
FIG. 2 is a front elevational view thereof;
FIG. 3 is a rear elevational view thereof;
FIG. 4 is a left side view thereof;
FIG. 5 is a right side view thereof;
FIG. 6 is a top plan view thereof;
FIG. 7 is a bottom plan view thereof;
FIG. 8 is a reference front elevational view thereof, showing a state in which this article is electrified; and,

(Continued)

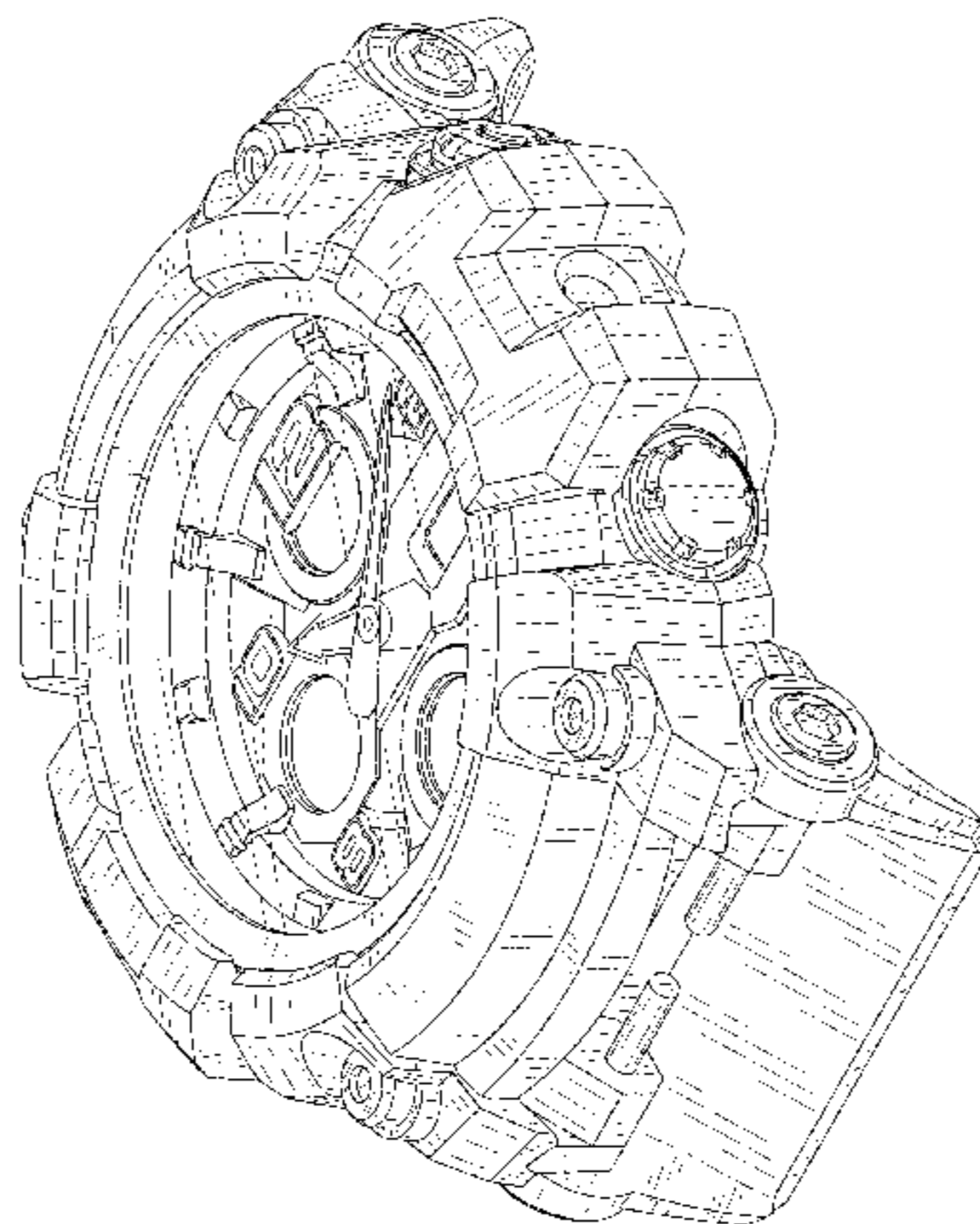


FIG. 9 is a reference perspective view thereof, with a watchband attached.

The broken lines in the drawings show portions of the wrist watch that form no part of the claimed design.

1 Claim, 8 Drawing Sheets

(56)

References Cited

U.S. PATENT DOCUMENTS

D751,420	S *	3/2016	Nakai	D10/126
D755,061	S *	5/2016	Nakai	D10/32
D776,550	S *	1/2017	Nakai	D10/132
D781,159	S *	3/2017	Goto	D10/38
D807,202	S *	1/2018	Yamamoto	D10/39
D808,386	S *	1/2018	Matsuda	D14/344
D817,192	S *	5/2018	Syoubayashi	D10/39
D817,193	S *	5/2018	Kojima	D10/39
D820,117	S *	6/2018	Akagi	D10/39
D824,783	S *	8/2018	Bernheim	D10/30
2009/0080294	A1 *	3/2009	Arita	G04B 19/065 368/232
2013/0051198	A1 *	2/2013	Sato	G04B 19/065 368/235
2014/0078872	A1 *	3/2014	Kitahara	G04B 3/04 368/320

* cited by examiner

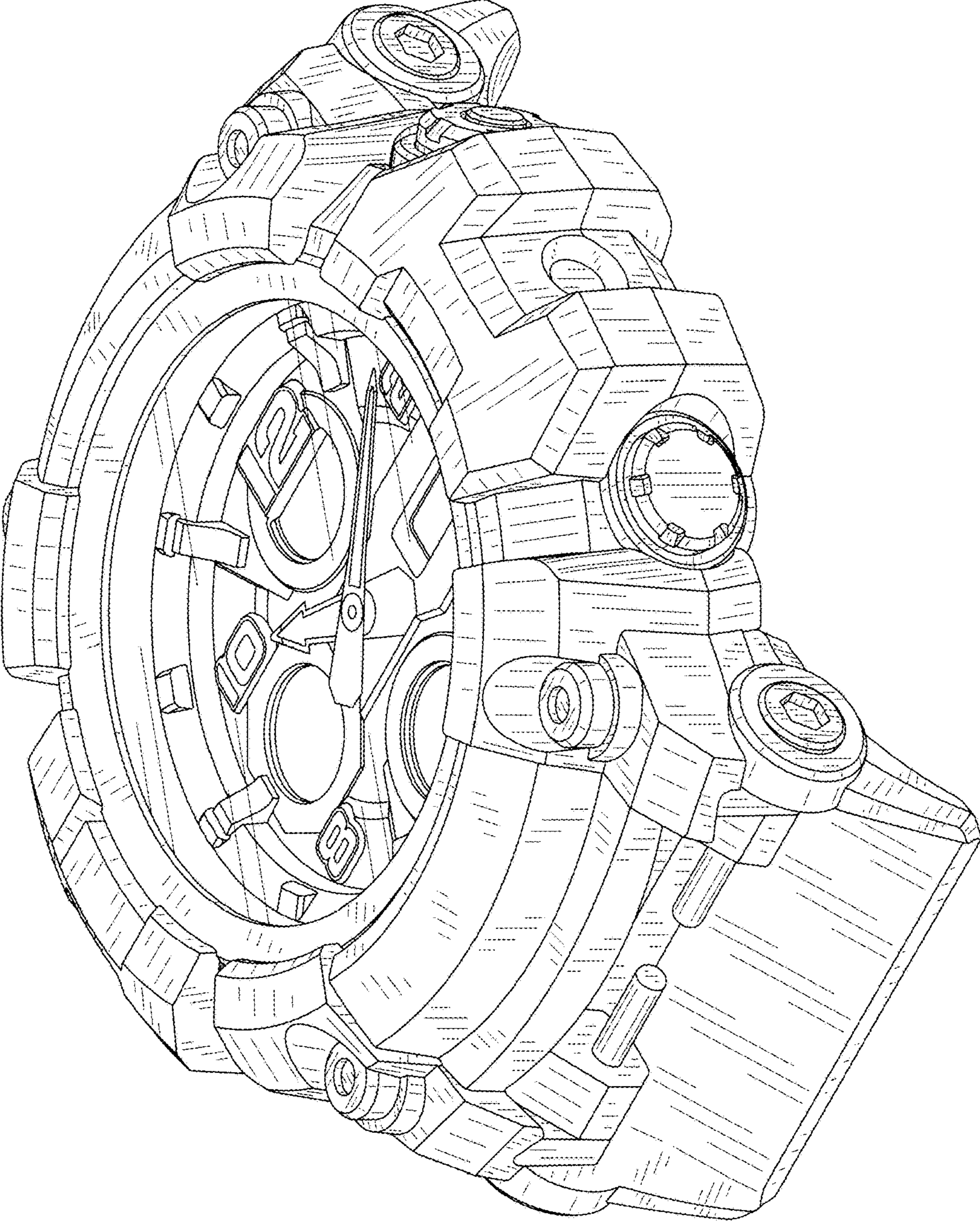


FIG. 1

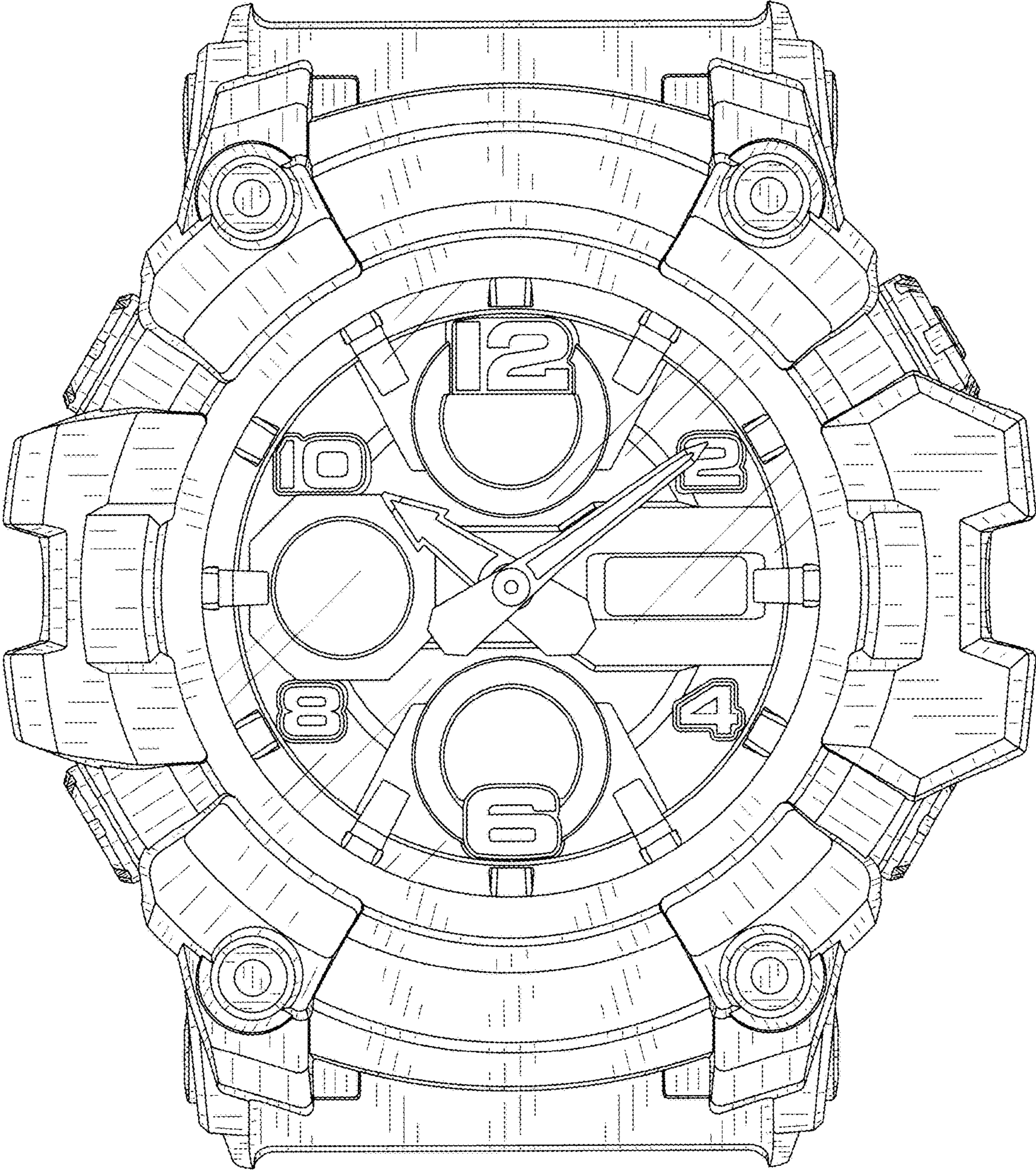


FIG. 2

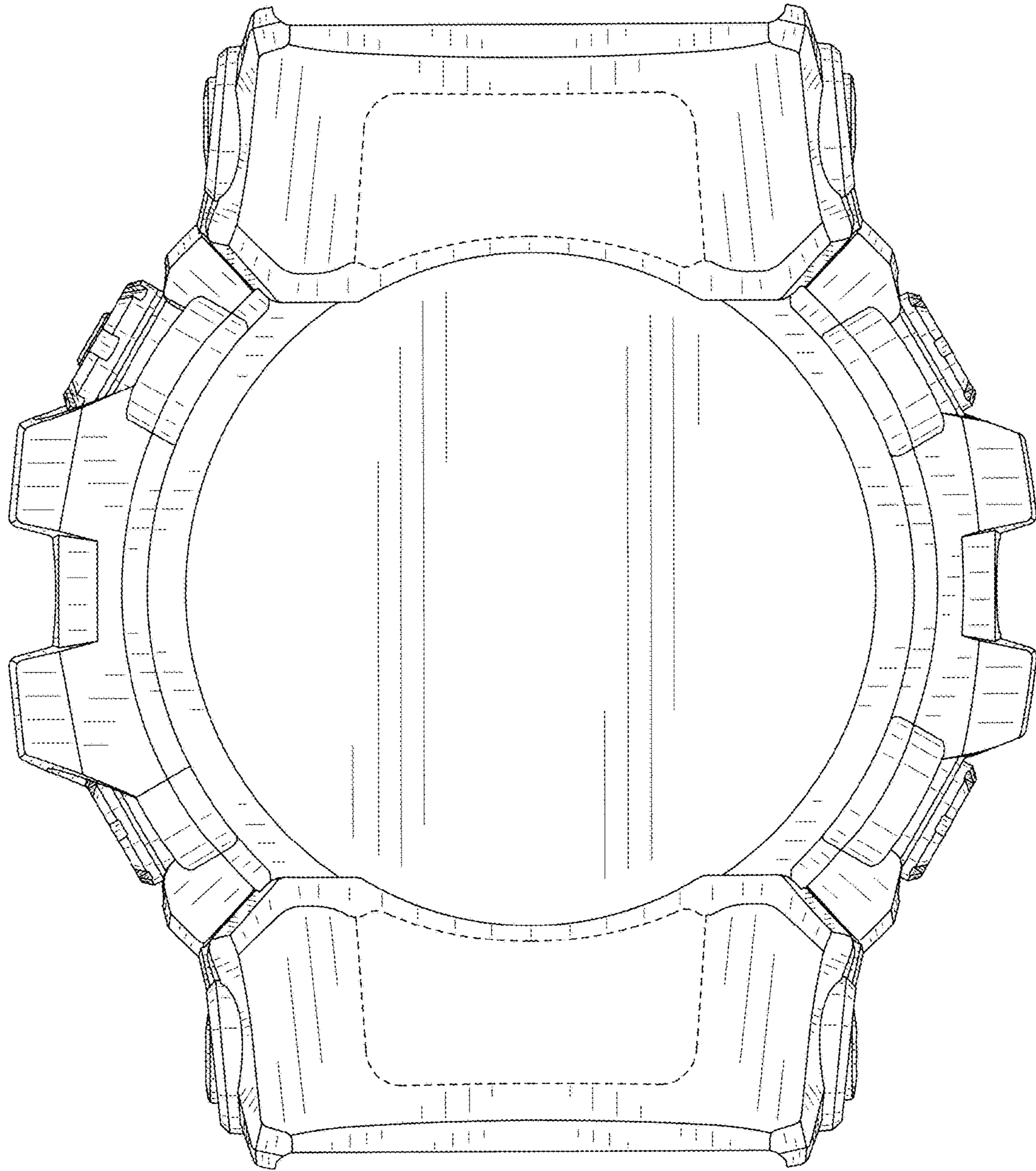


FIG. 3

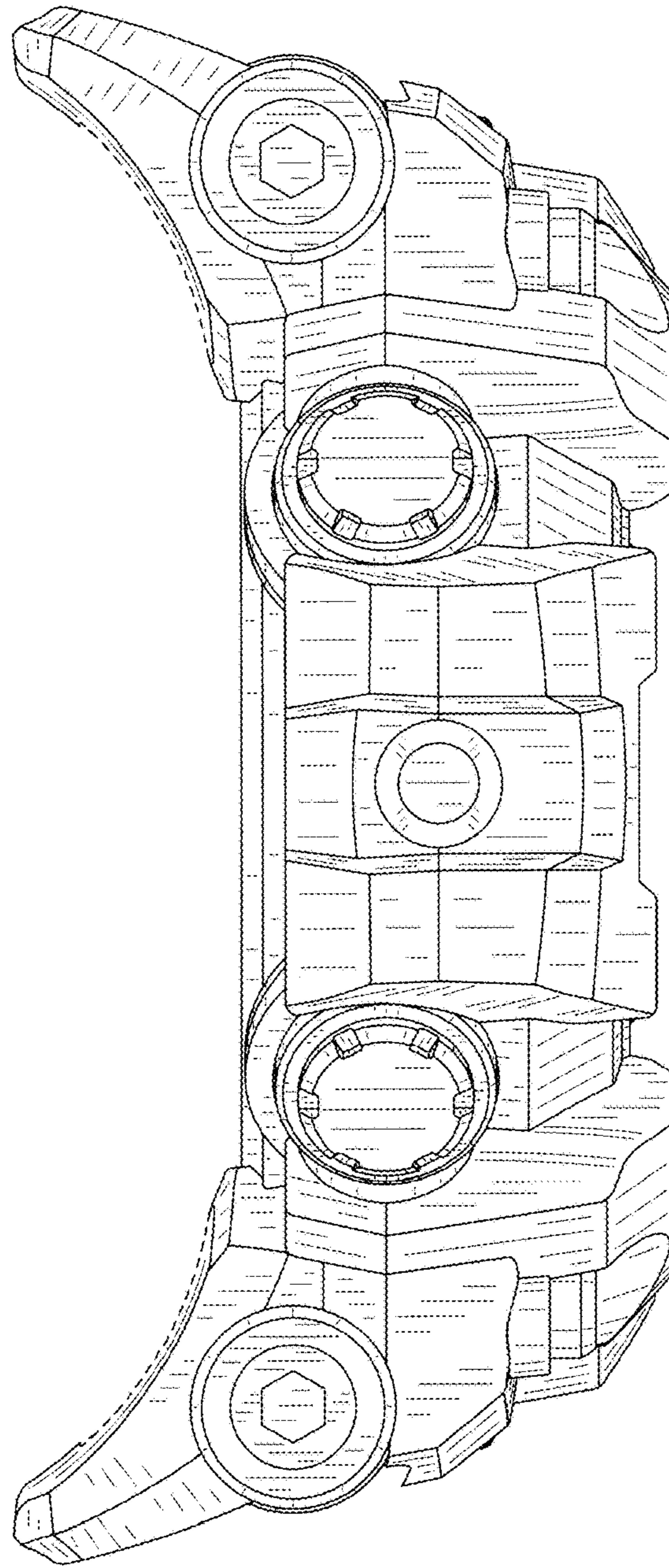


FIG. 4

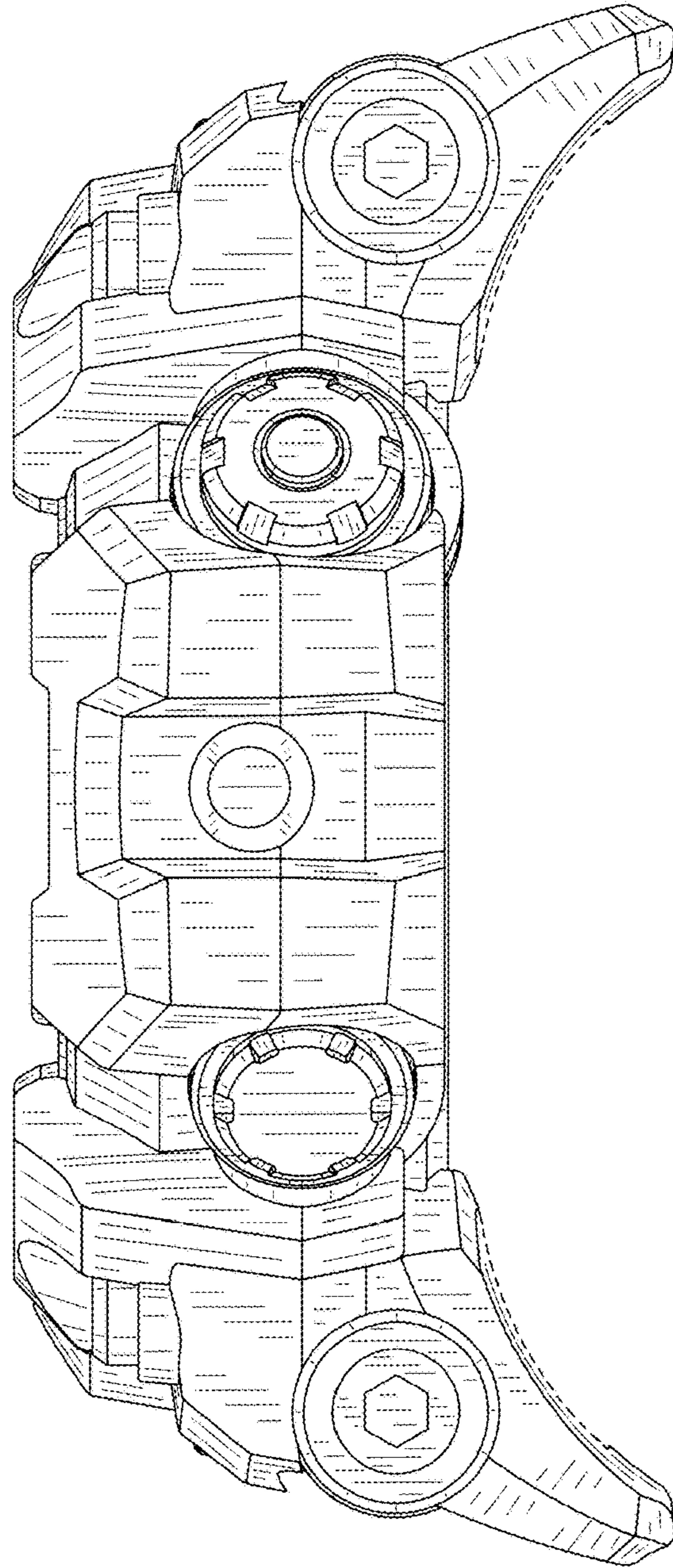


FIG. 5

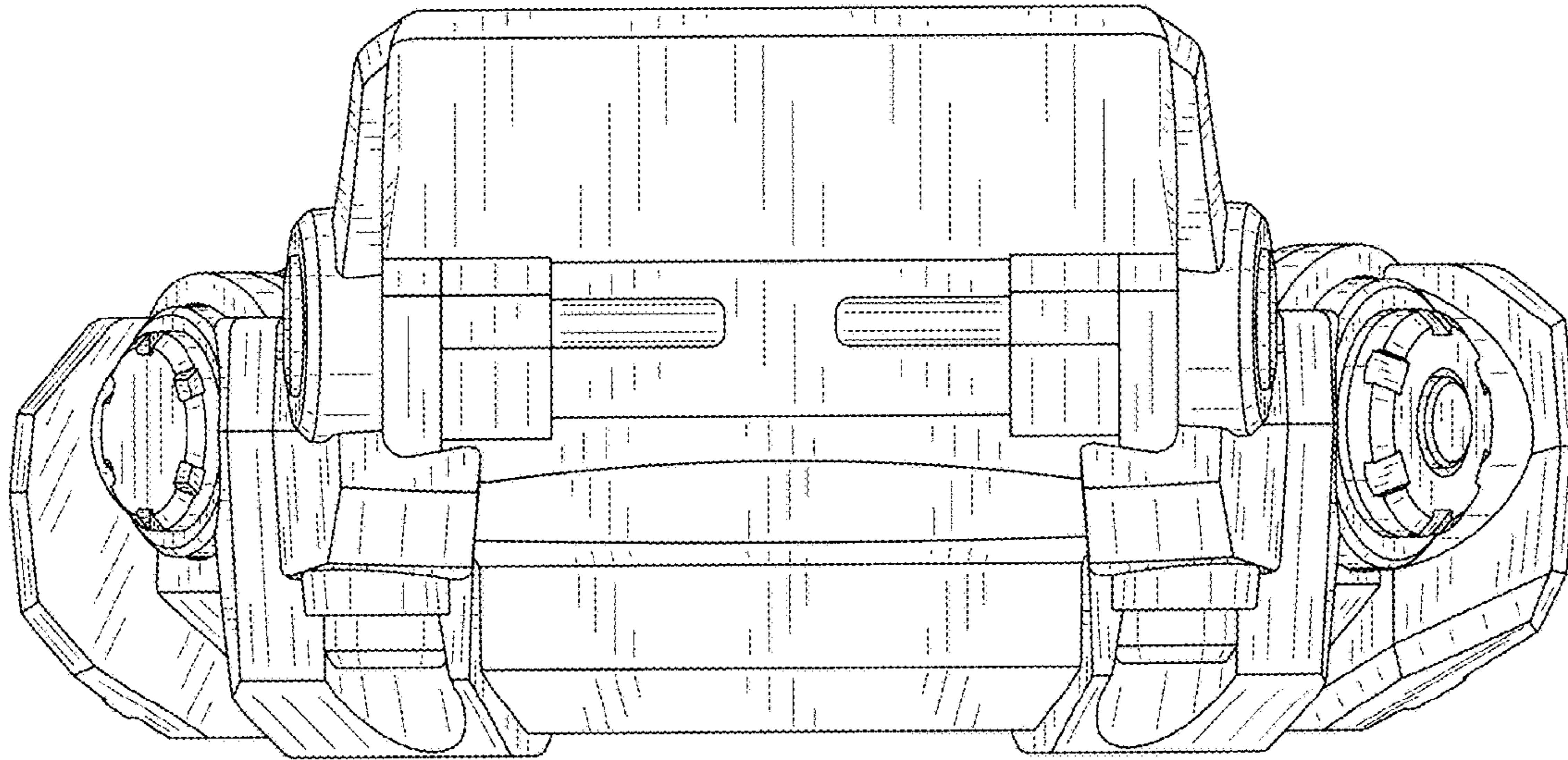


FIG. 6

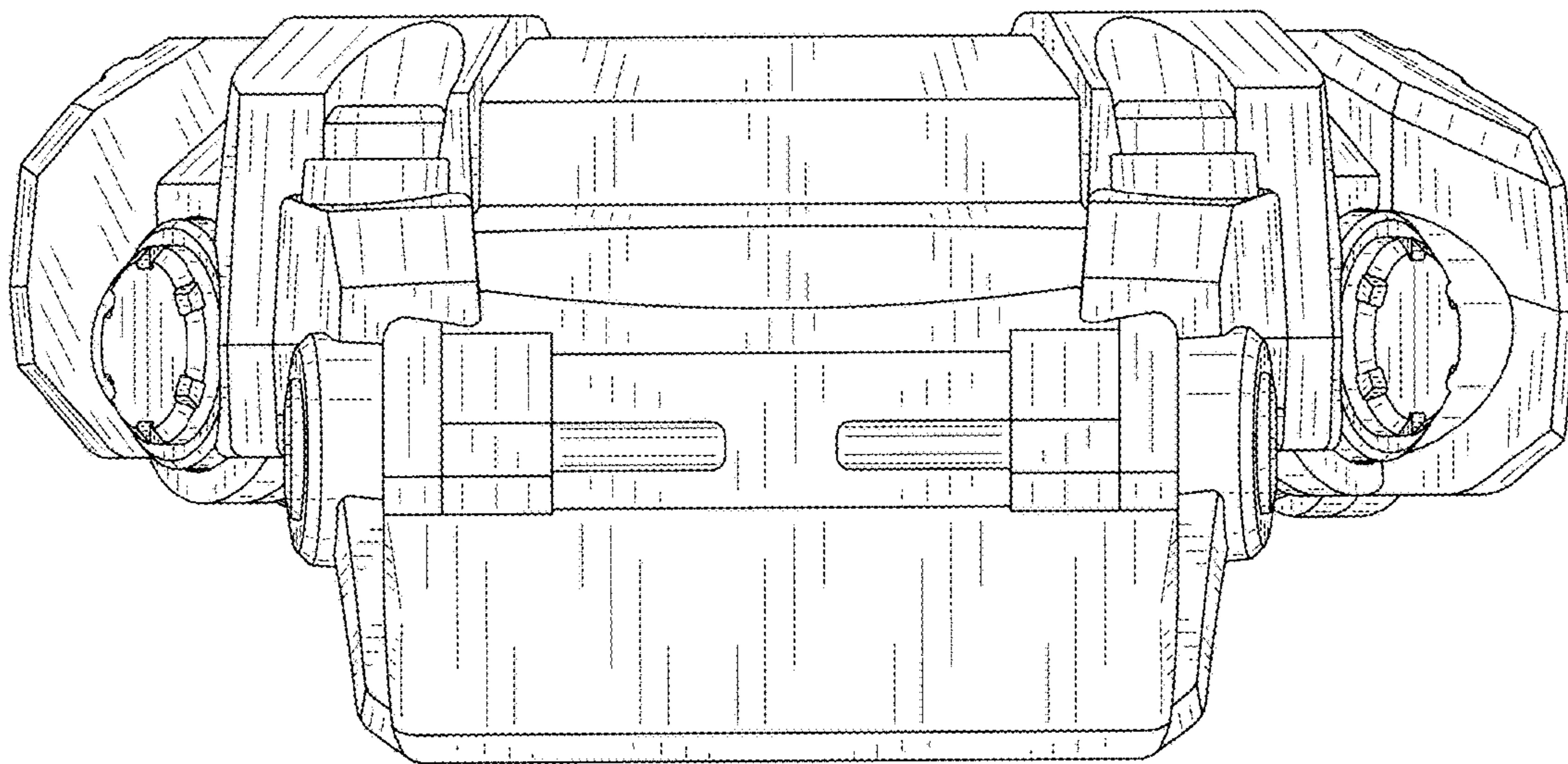


FIG. 7

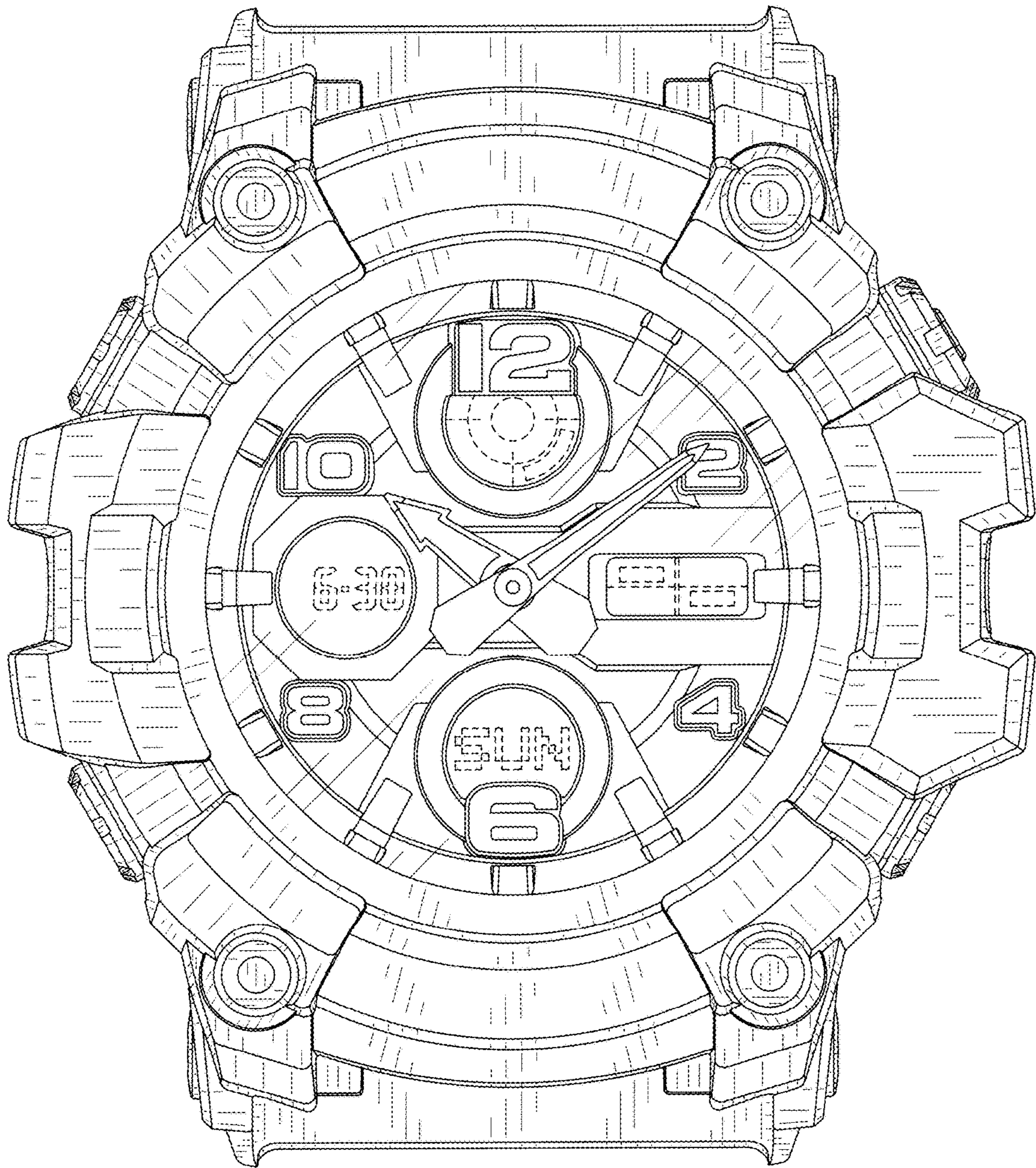


FIG. 8

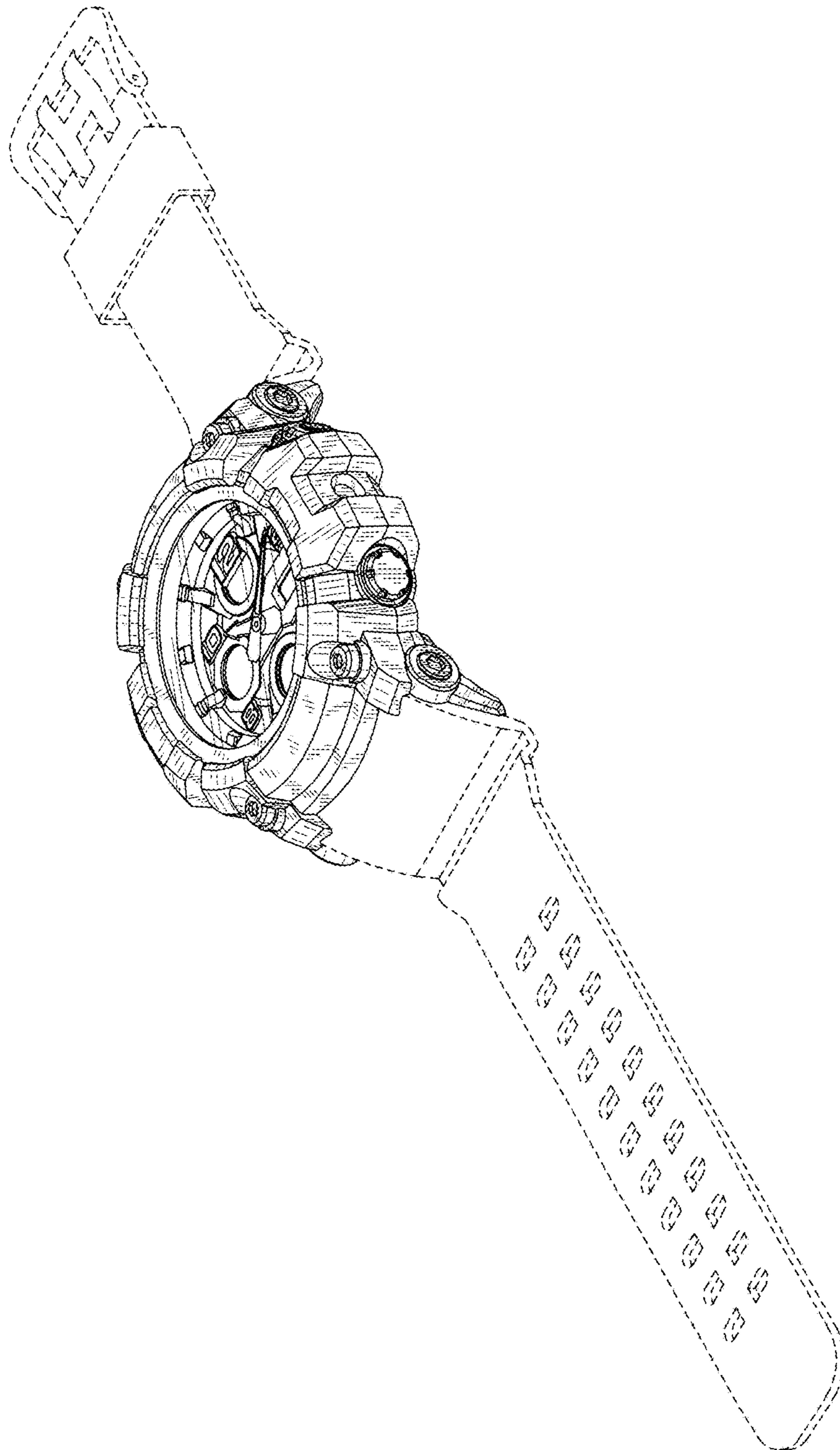


FIG. 9