



US00D848286S

(12) **United States Design Patent** (10) **Patent No.:** **US D848,286 S**  
**Behling** (45) **Date of Patent:** **\*\* May 14, 2019**

(54) **WATCH CASE WITH STRAP**  
(71) Applicant: **LVMH Swiss Manufactures SA**, La Chaux-de-Fonds (CH)  
(72) Inventor: **Christoph Behling**, London (GB)  
(73) Assignee: **LVMH SWISS MANUFACTURES SA**, La Chaux-de-Fonds (CH)

D726,675 S \* 4/2015 Choi ..... D10/38  
D731,455 S \* 6/2015 Park ..... D10/38  
D742,780 S \* 11/2015 Barnes ..... D11/87  
D748,624 S \* 2/2016 Magi ..... D14/344  
D750,622 S \* 3/2016 Chen ..... D10/38  
9,314,072 B2 \* 4/2016 Lee ..... A44B 11/24  
D756,832 S \* 5/2016 Riddiford ..... D11/3  
D778,533 S \* 2/2017 Chen ..... D2/636

(Continued)

(\*\*) Term: **15 Years**  
(21) Appl. No.: **29/614,562**  
(22) Filed: **Aug. 21, 2017**

(30) **Foreign Application Priority Data**  
Feb. 22, 2017 (WO) ..... 2459401  
(51) **LOC (11) Cl.** ..... **10-02**  
(52) **U.S. Cl.**  
USPC ..... **D10/32**  
(58) **Field of Classification Search**  
USPC ..... D10/30-39, 42, 122-124, 126, 128;  
D11/3; D14/344; D99/28, 99; D24/167,  
D24/186  
See application file for complete search history.

(56) **References Cited**  
U.S. PATENT DOCUMENTS  
D244,916 S \* 7/1977 Ueno ..... D10/38  
D285,422 S \* 9/1986 Grimes ..... D10/32  
D327,440 S \* 6/1992 Galli ..... D10/126  
D349,257 S \* 8/1994 Polenberg ..... D11/3  
D381,920 S \* 8/1997 Galli ..... D10/30  
D395,241 S \* 6/1998 Galli ..... D10/30  
D460,003 S \* 7/2002 Jamin ..... D10/32  
D536,627 S \* 2/2007 Behling ..... D10/38  
D580,277 S \* 11/2008 Brady ..... D10/32  
D630,121 S \* 1/2011 Roysky ..... D11/3  
D718,171 S \* 11/2014 Fakesch ..... D11/3

**OTHER PUBLICATIONS**

Tag Heuer Connected Unboxing | posted at youtube.com Nov. 2015 [online][site visited 6/8/208]. Available from internet: <https://www.youtube.com/watch?v=hsBjuzZ\_pY (Year: 2015).\*

(Continued)

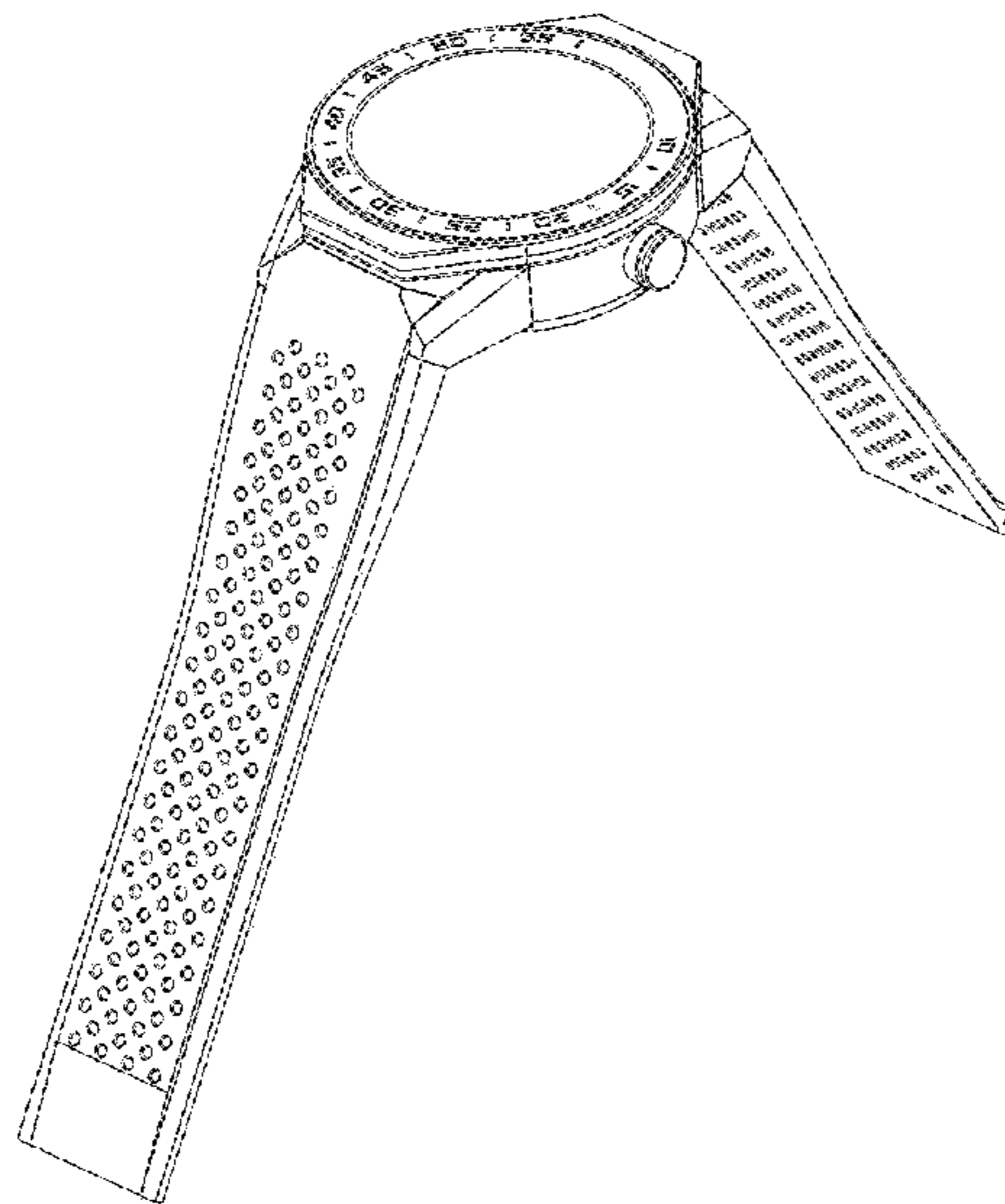
*Primary Examiner* — Sandra S Snapp  
*Assistant Examiner* — Katherine Glennon  
(74) *Attorney, Agent, or Firm* — Brinks Gilson & Lione; John C. Freeman

(57) **CLAIM**  
The ornamental design for a watch case with strap, as shown and described.

**DESCRIPTION**

FIG. 1 is a top view of a watch case with strap according to the present invention;  
FIG. 2 is a bottom view;  
FIG. 3 is a front view thereof;  
FIG. 4 is a right side view thereof;  
FIG. 5 is a top perspective view thereof;  
FIG. 6 is a bottom perspective view thereof;  
FIG. 7 is a top perspective exploded view thereof; and,  
FIG. 8 is a bottom perspective exploded view thereof.  
The ornamental design which is claimed is shown in solid lines in the drawings. The broken lines showing of portions of the article form no part of the claimed design.

**1 Claim, 8 Drawing Sheets**



(56)

**References Cited**

U.S. PATENT DOCUMENTS

D781,722 S \* 3/2017 Behling ..... D10/38  
D799,990 S \* 10/2017 Behling ..... D10/38  
D800,109 S \* 10/2017 Rouillac ..... D14/344  
2014/0083133 A1\* 3/2014 Lee ..... A44C 5/14  
63/3.1  
2014/0353349 A1\* 12/2014 De Oliveira ..... A44C 5/14  
224/164  
2016/0270491 A1\* 9/2016 Spencer ..... A44C 5/185  
2017/0181510 A1\* 6/2017 Novak ..... A44C 5/147

OTHER PUBLICATIONS

Tag Heuer Connected Modular 45 | posted at hodinkee.com Mar. 2017 © 2009-2018, Hodinkee Inc [online][site visited Jun. 8, 2018]. Available from internet: <<https://www.hodinkee.com/articles/tag-heuer-connected-modular-45-swiss-made-smartwatch>> (Year: 2017).\*

Carrera Heuer-02 Tourbillon | posted at forums.calibre11.com Oct. 2015 [online][site visited Jun. 8, 2018]. Available from internet: <<https://forums.calibre11.com/threads/live-photo-carrera-heuer-02-tourbillon.29957/#post-338420>> (Year: 2015).\*

\* cited by examiner

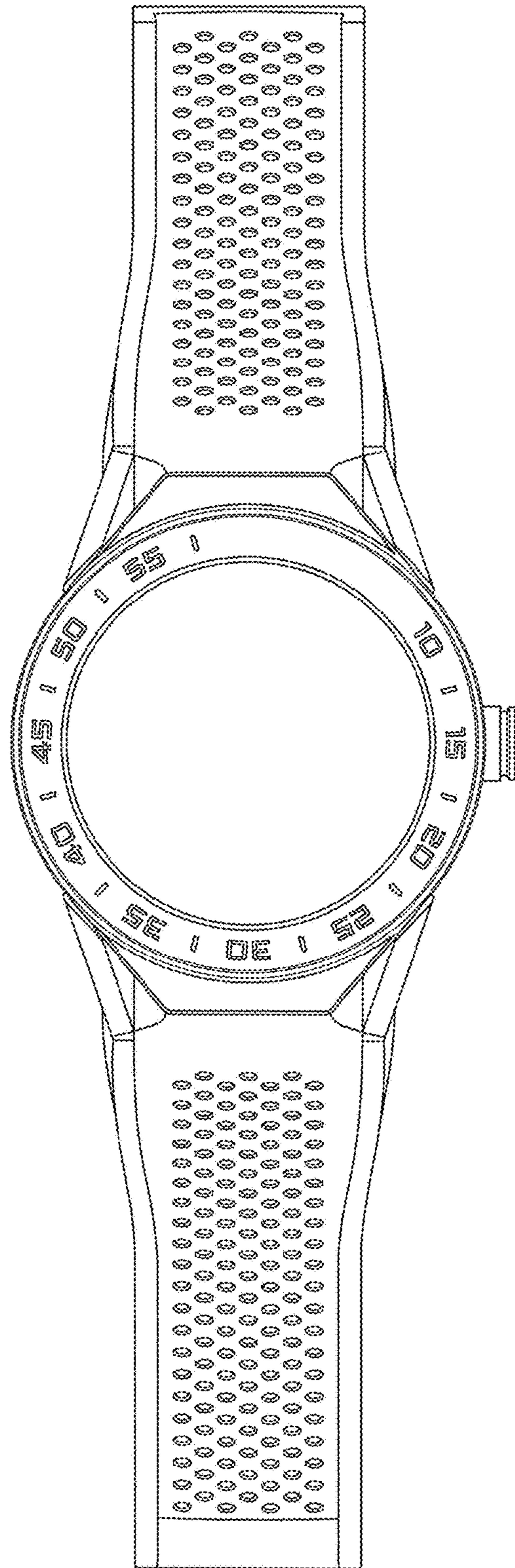


FIG. 1

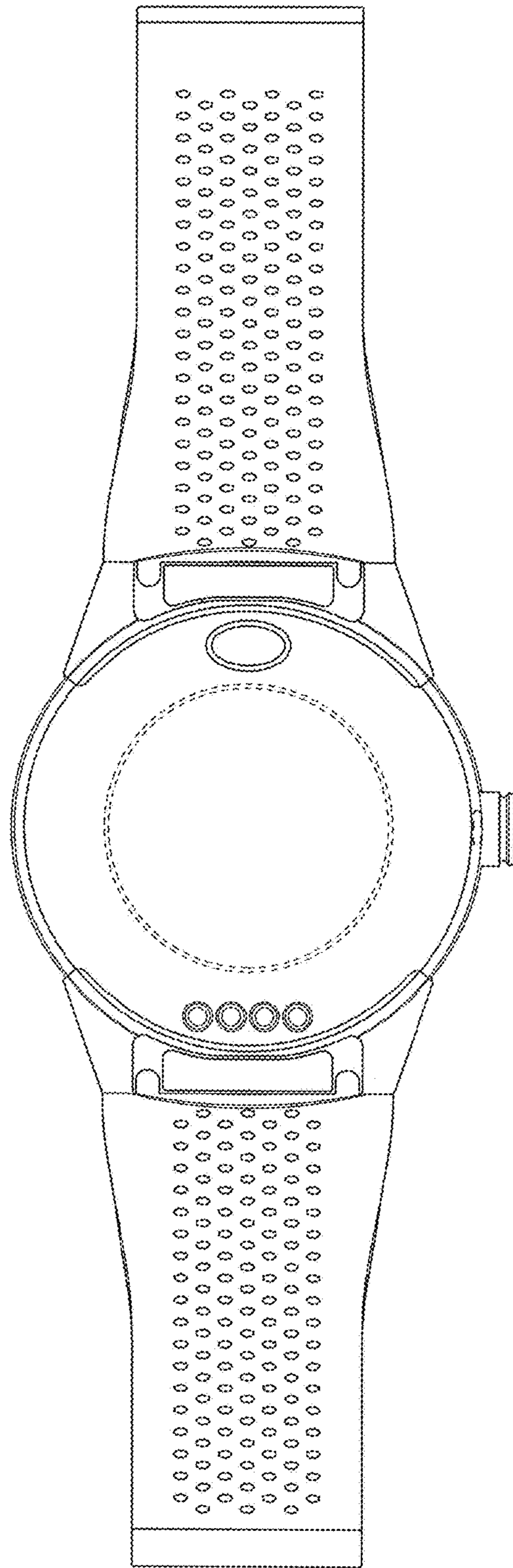


FIG. 2

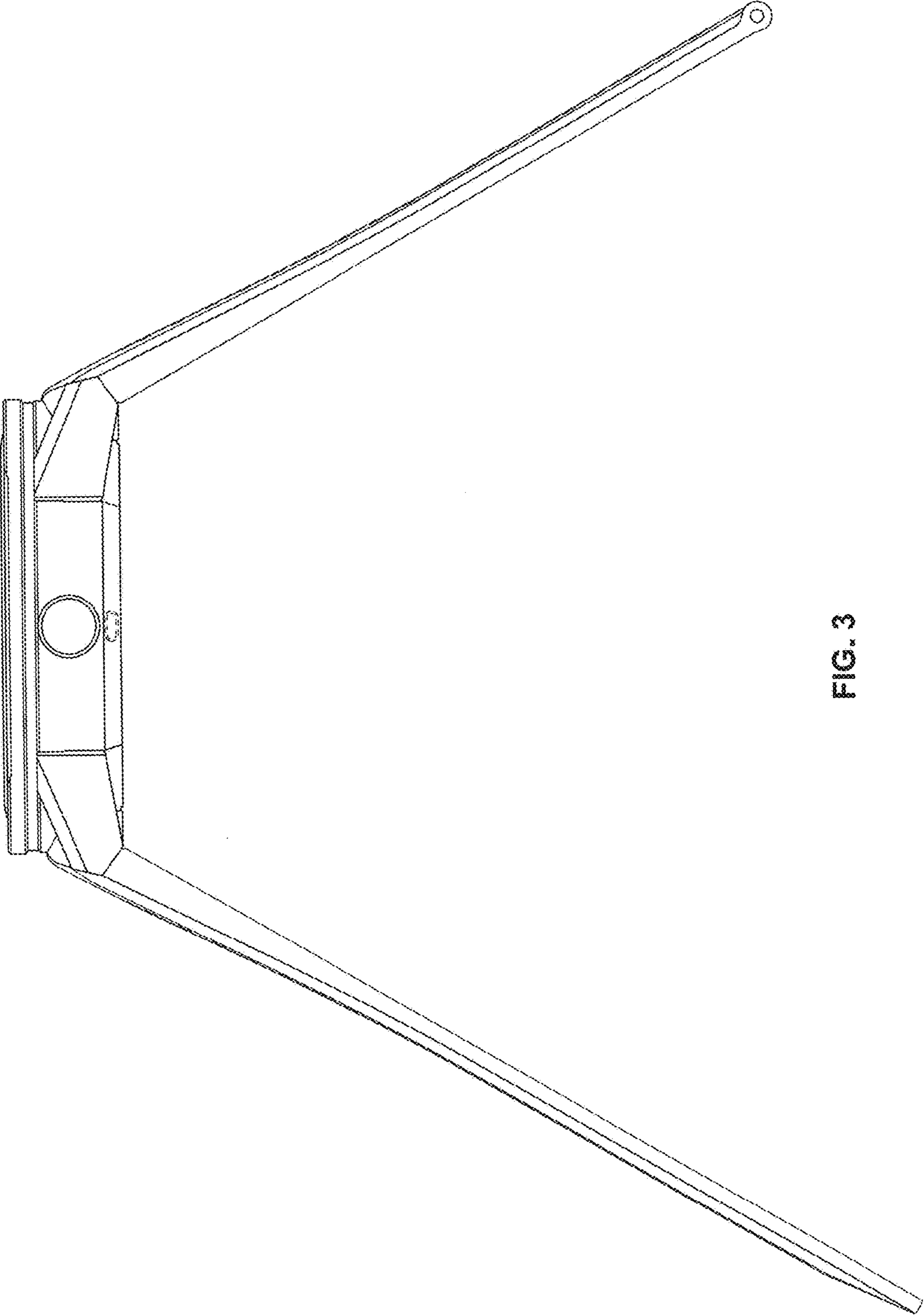


FIG. 3

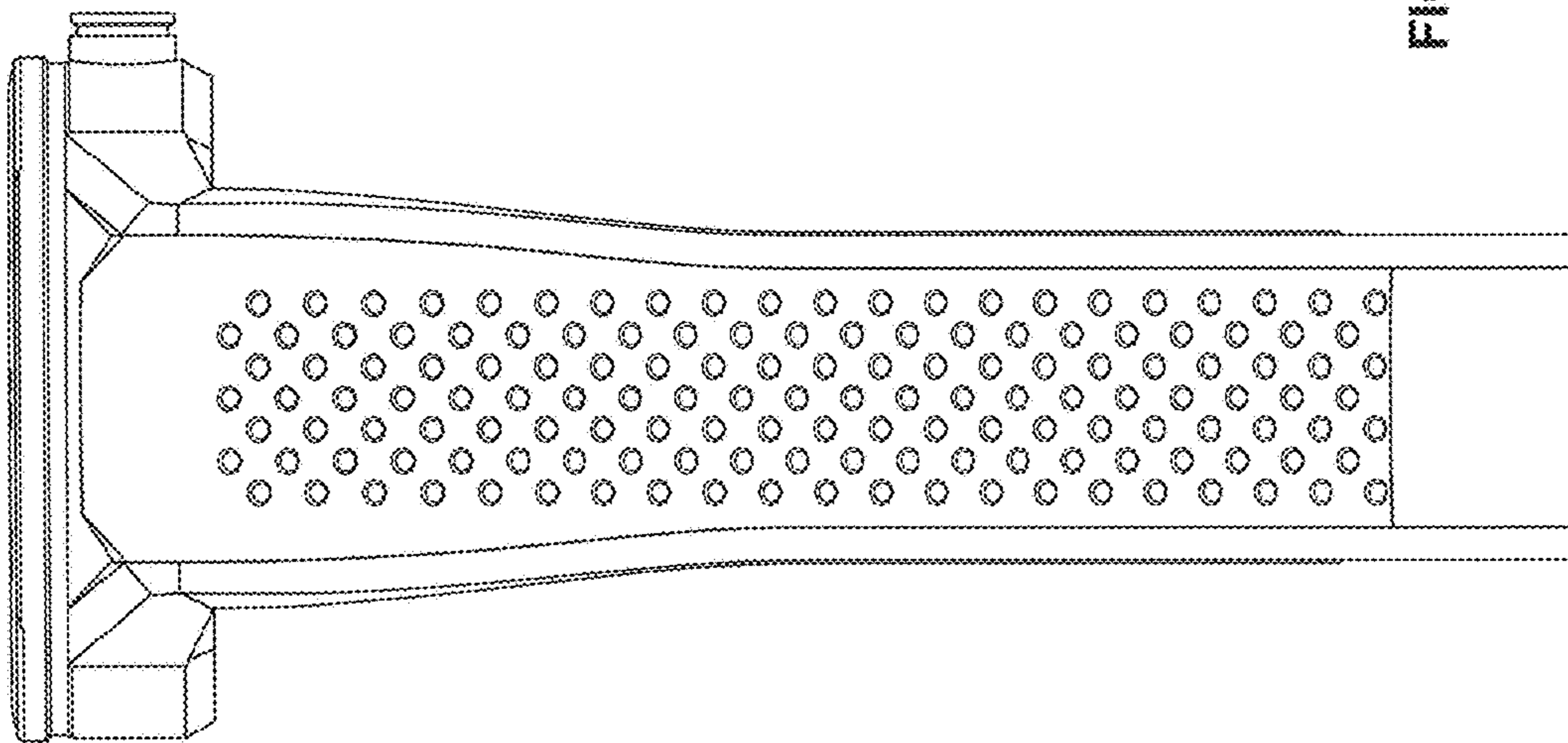


FIG. 4

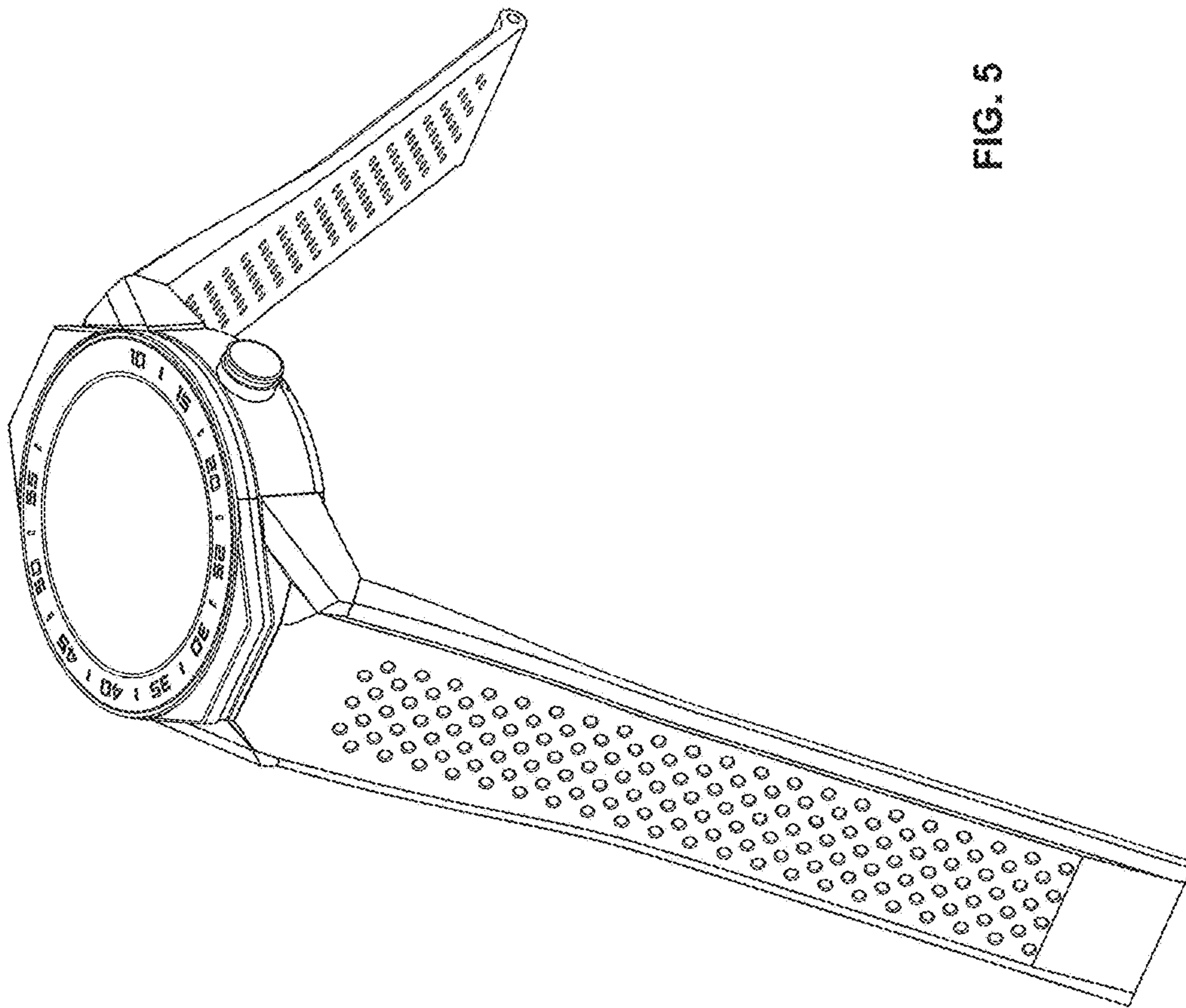


FIG. 5

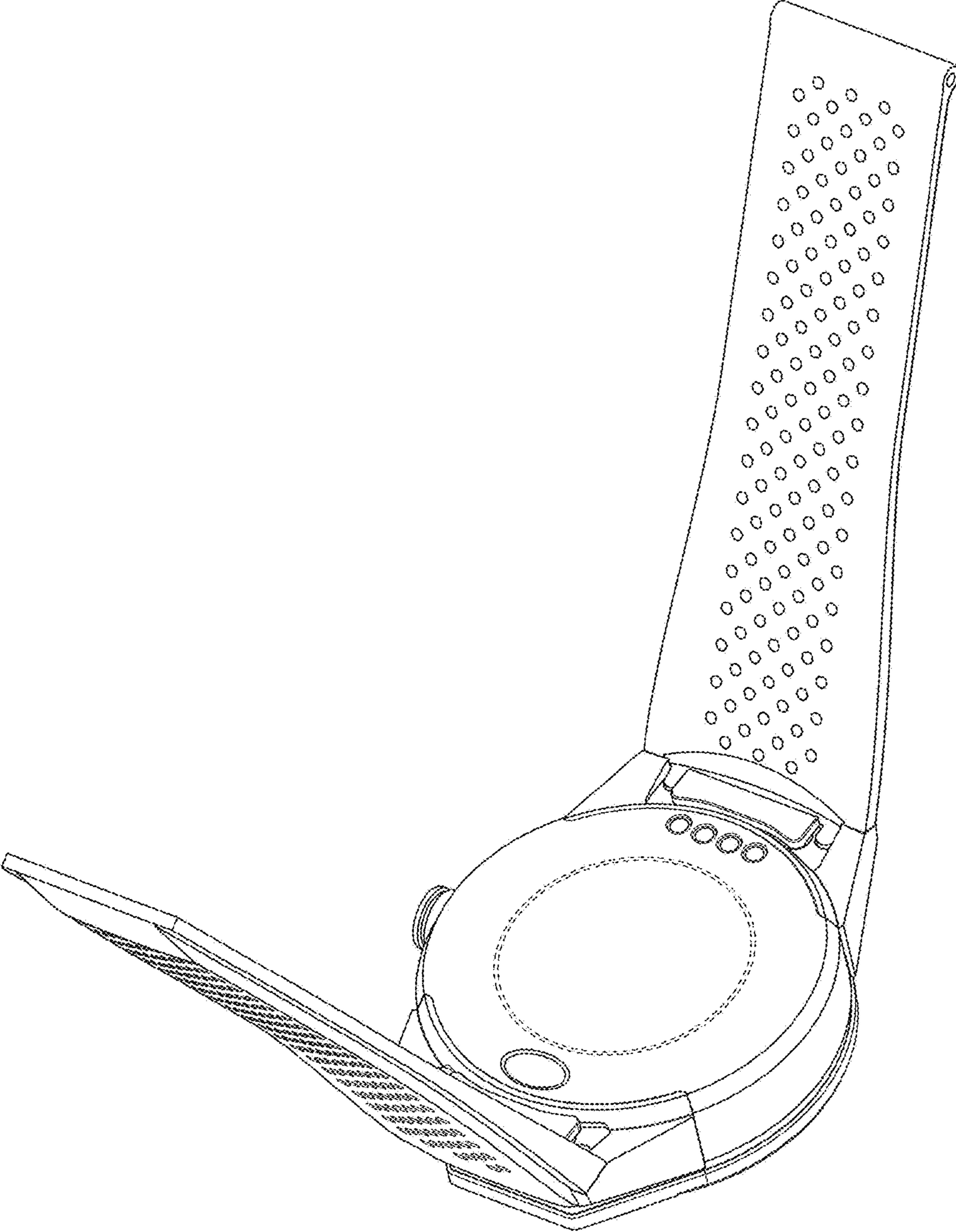


FIG. 6



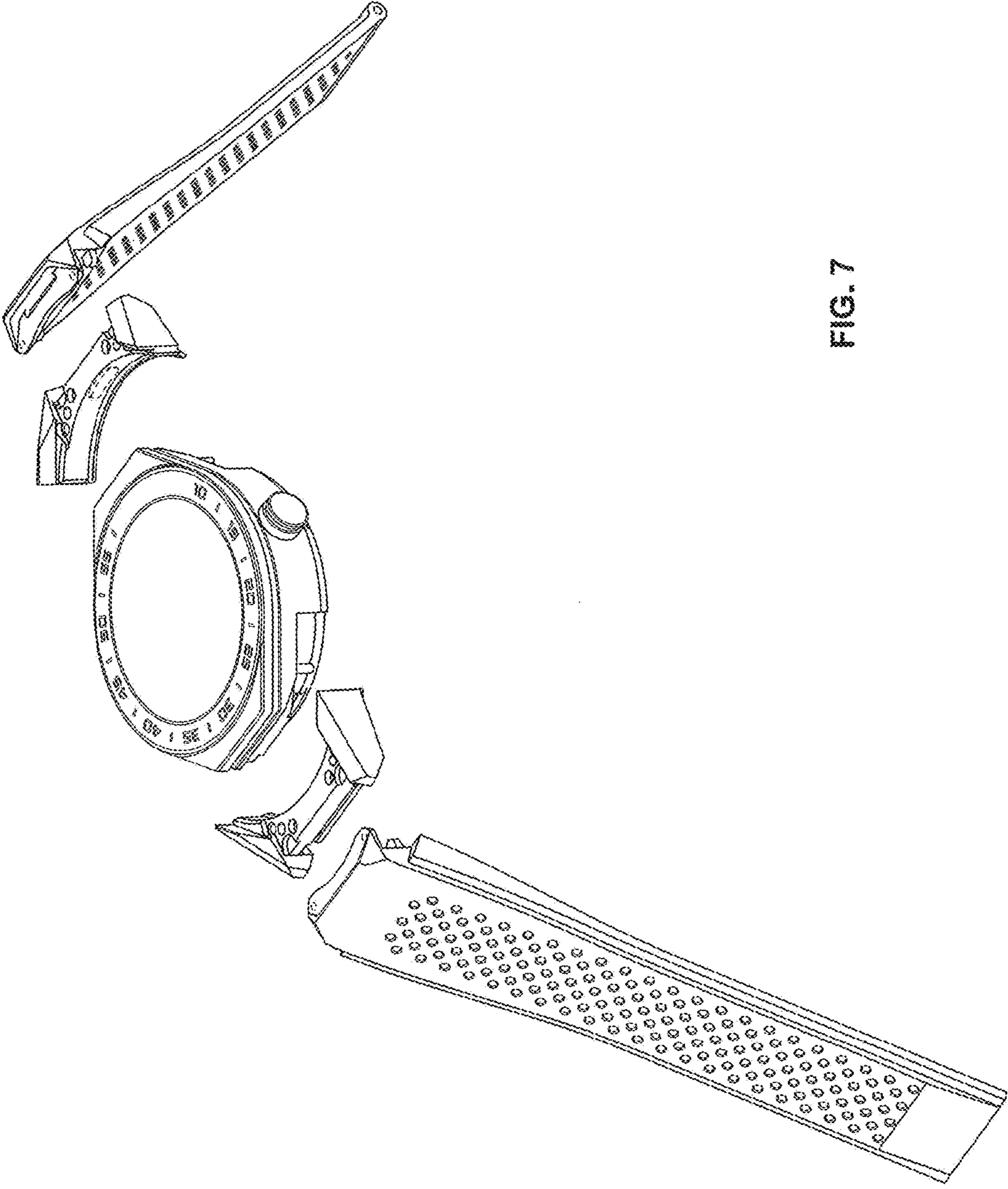


FIG. 7

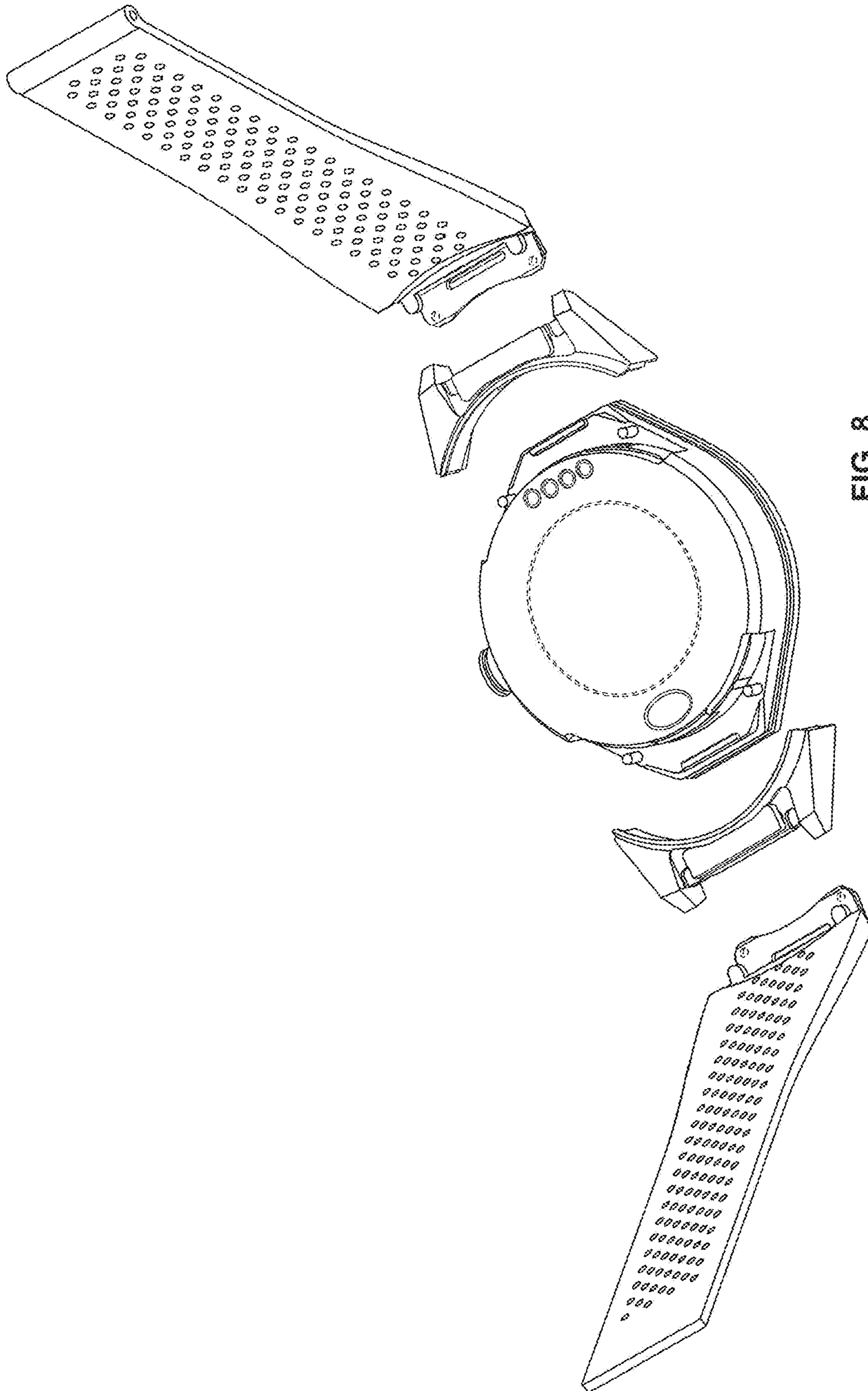


FIG. 8