



US00D848285S

(12) **United States Design Patent** (10) **Patent No.:** **US D848,285 S**
Inoue (45) **Date of Patent:** **** May 14, 2019**

- (54) **WATCHCASE**
- (71) Applicant: **CITIZEN WATCH CO., LTD.**,
Nishitokyo-shi, Tokyo (JP)
- (72) Inventor: **Hideki Inoue**, Musashino (JP)
- (73) Assignee: **CITIZEN WATCH CO., LTD.** (JP)
- (**) Term: **15 Years**
- (21) Appl. No.: **29/636,098**
- (22) Filed: **Feb. 6, 2018**
- (51) **LOC (11) Cl.** **10-02**
- (52) **U.S. Cl.**
USPC **D10/30**
- (58) **Field of Classification Search**
USPC D10/30-32, 37-39, 122-124, 126, 128
See application file for complete search history.

- D804,966 S * 12/2017 Inoue D10/30
- D821,891 S * 7/2018 Parmigiani D10/30
- D822,508 S * 7/2018 Tonohori D10/38
- D822,510 S * 7/2018 Kwong D10/39
- D831,509 S * 10/2018 Sasaki D10/39

OTHER PUBLICATIONS

Citizen 100th Anniversary Limited Models | citizenwatch-global.com; n.d.[online][retrieved Dec. 14, 2018] from Internet: <https://www.citizenwatch-global.com/100th/product/limited/modal/index.html#product03> (Year: 2018).*

Citizen Eco-Drive Bluetooth & Titanium | citizenwatchglobal.com posted Mar. 2018 [online]. © Citizen Watch Co., Ltd. [retrieved Apr. 12, 2018] from Internet: <https://www.citizenwatch-global.com/news/2018/20180322-5/index.html> (Year: 2018).*

* cited by examiner

Primary Examiner — Sandra S Snapp
Assistant Examiner — Katherine Glennon
 (74) *Attorney, Agent, or Firm* — RatnerPrestia

(57) **CLAIM**

The ornamental design for a watchcase, as shown and described.

DESCRIPTION

FIG. 1 is an enlarged perspective view of a watchcase showing my new design;
 FIG. 2 is a front elevational view thereof;
 FIG. 3 is a left side elevational view thereof;
 FIG. 4 is a right side elevational view thereof;
 FIG. 5 is a rear elevational view thereof;
 FIG. 6 is a top plan view thereof; and,
 FIG. 7 is a bottom plan view thereof.
 The broken lines depict portions of watchcase that form no part of the claimed design.

1 Claim, 4 Drawing Sheets

- (56) **References Cited**
- U.S. PATENT DOCUMENTS
- D338,161 S * 8/1993 Kizaki D10/126
- D400,804 S * 11/1998 Riley D10/30
- D538,181 S * 3/2007 Sugiura D10/31
- D606,424 S * 12/2009 Inoue D10/39
- D618,119 S * 6/2010 Tonohori D10/38
- D668,162 S * 10/2012 Inoue D10/39
- D668,557 S * 10/2012 Goto D10/32
- D701,465 S * 3/2014 Ganz D10/38
- D705,670 S * 5/2014 Emmenegger D10/32
- D711,750 S * 8/2014 Monachon D10/39
- D740,696 S * 10/2015 Monachon D10/126
- D762,490 S * 8/2016 Tonohori D10/126
- D762,491 S * 8/2016 Okazaki D10/126
- D767,411 S * 9/2016 Rabassa D10/30
- D792,786 S * 7/2017 Davoli D10/30
- D793,879 S * 8/2017 Tonohori D10/30

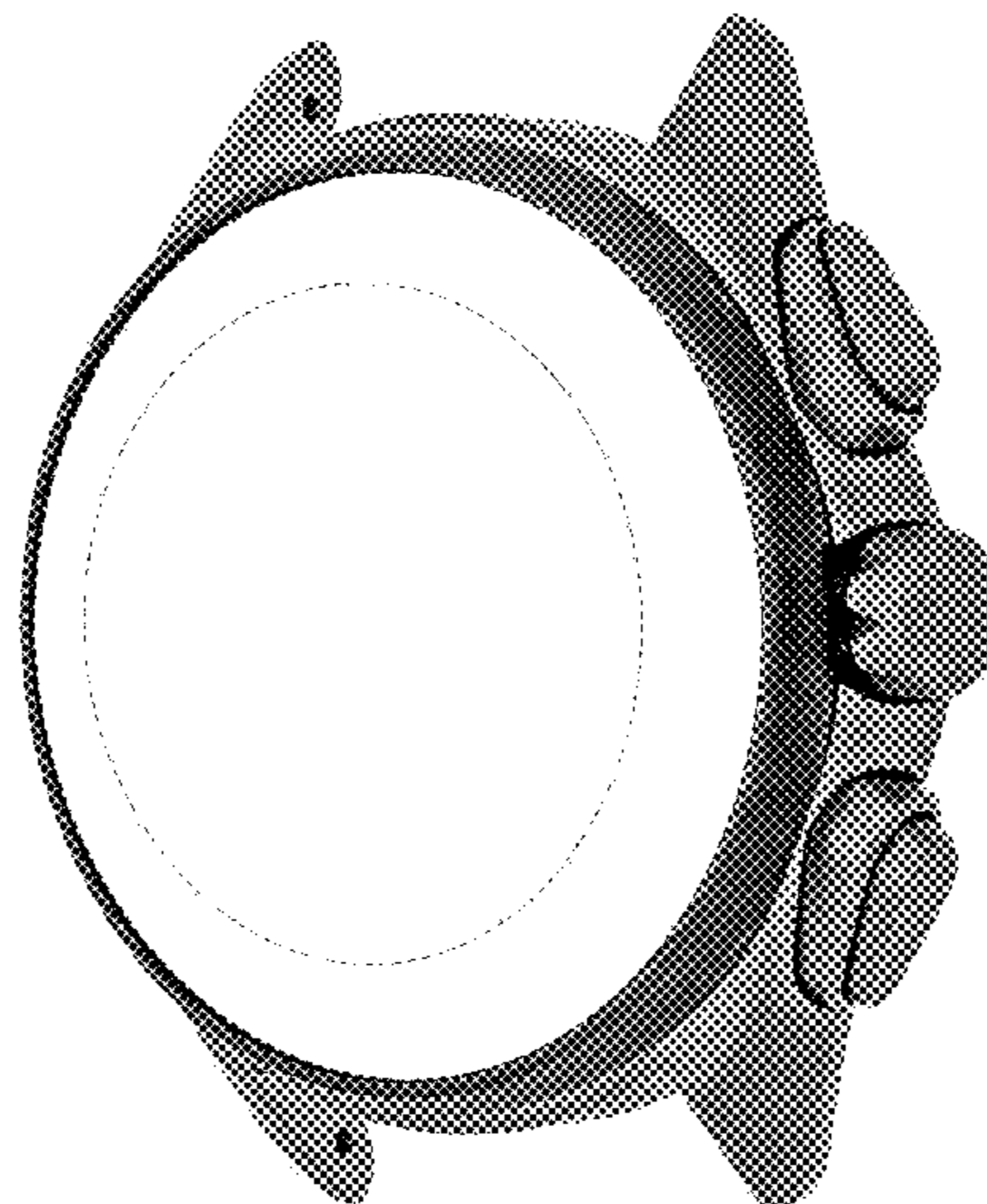


FIG. 1



FIG. 2

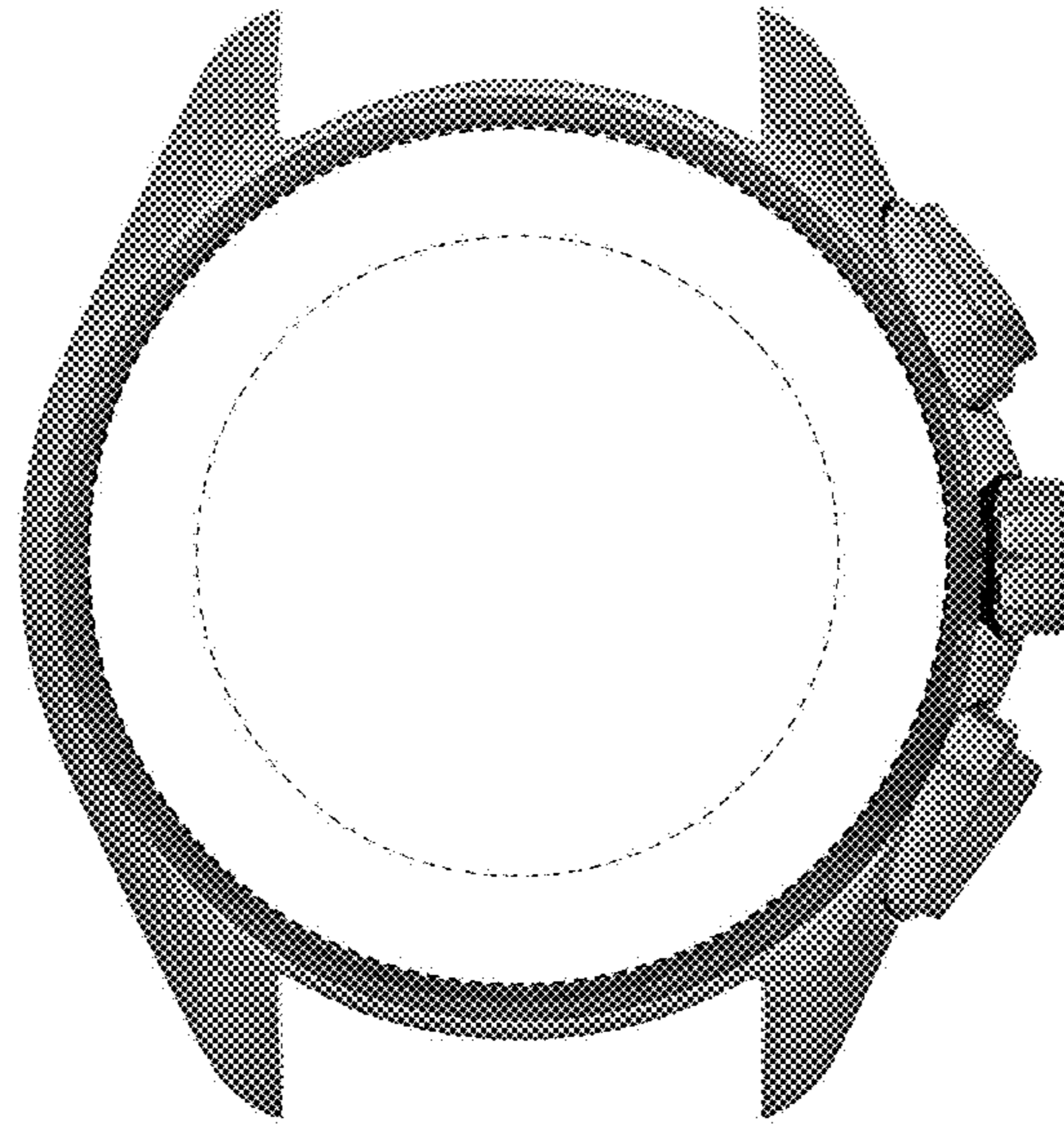


FIG. 3

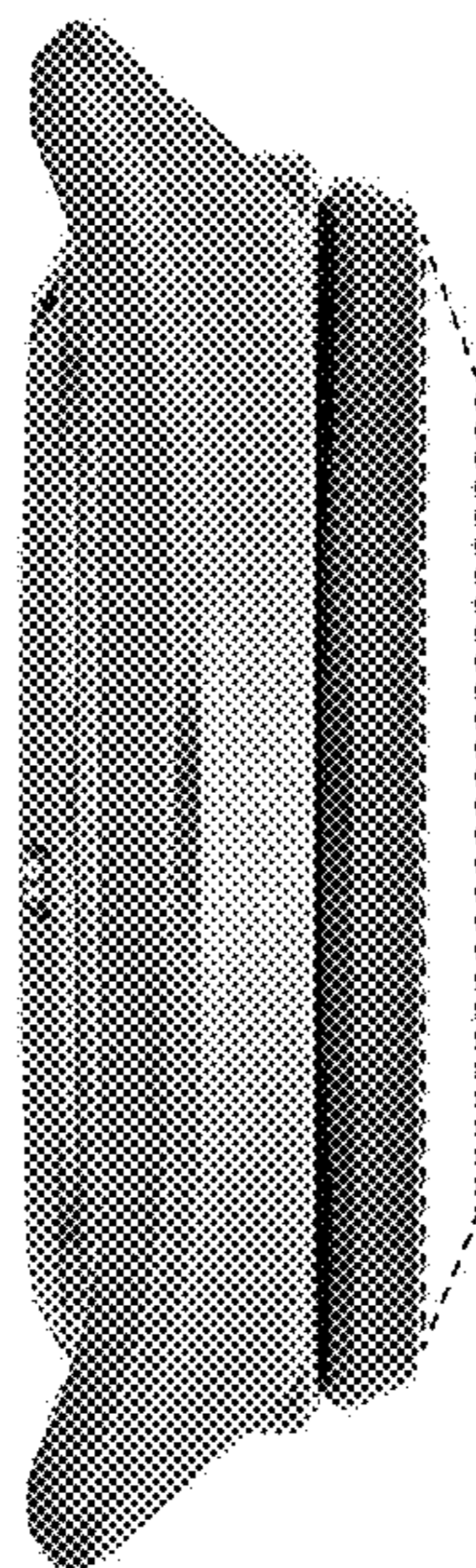


FIG. 4

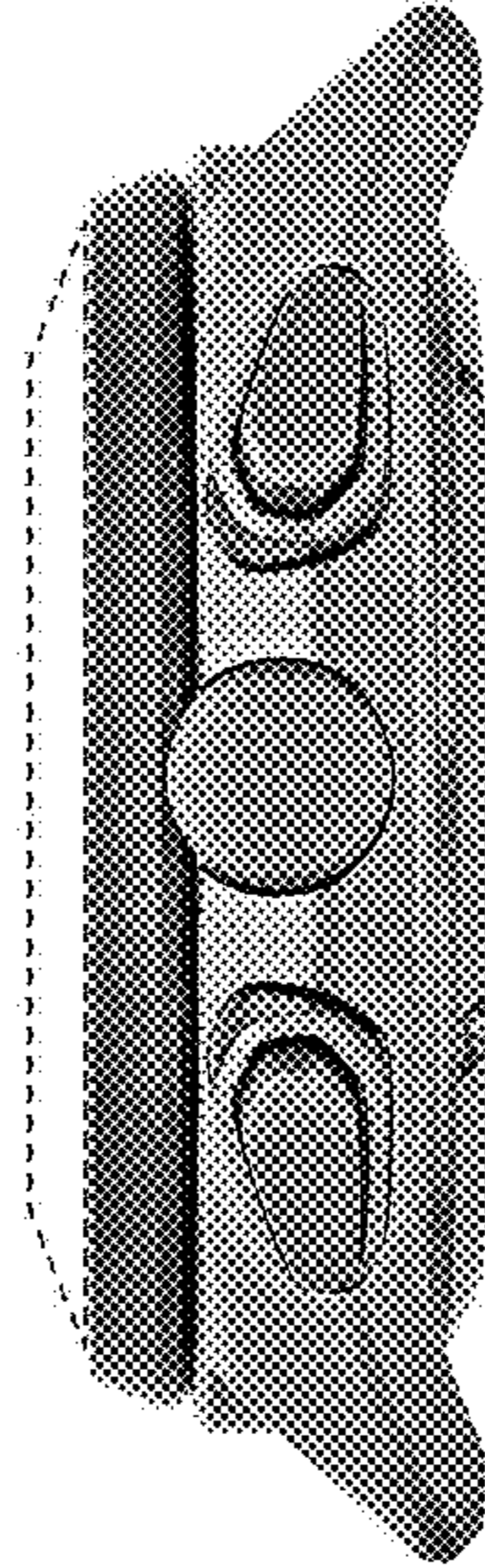


FIG. 5

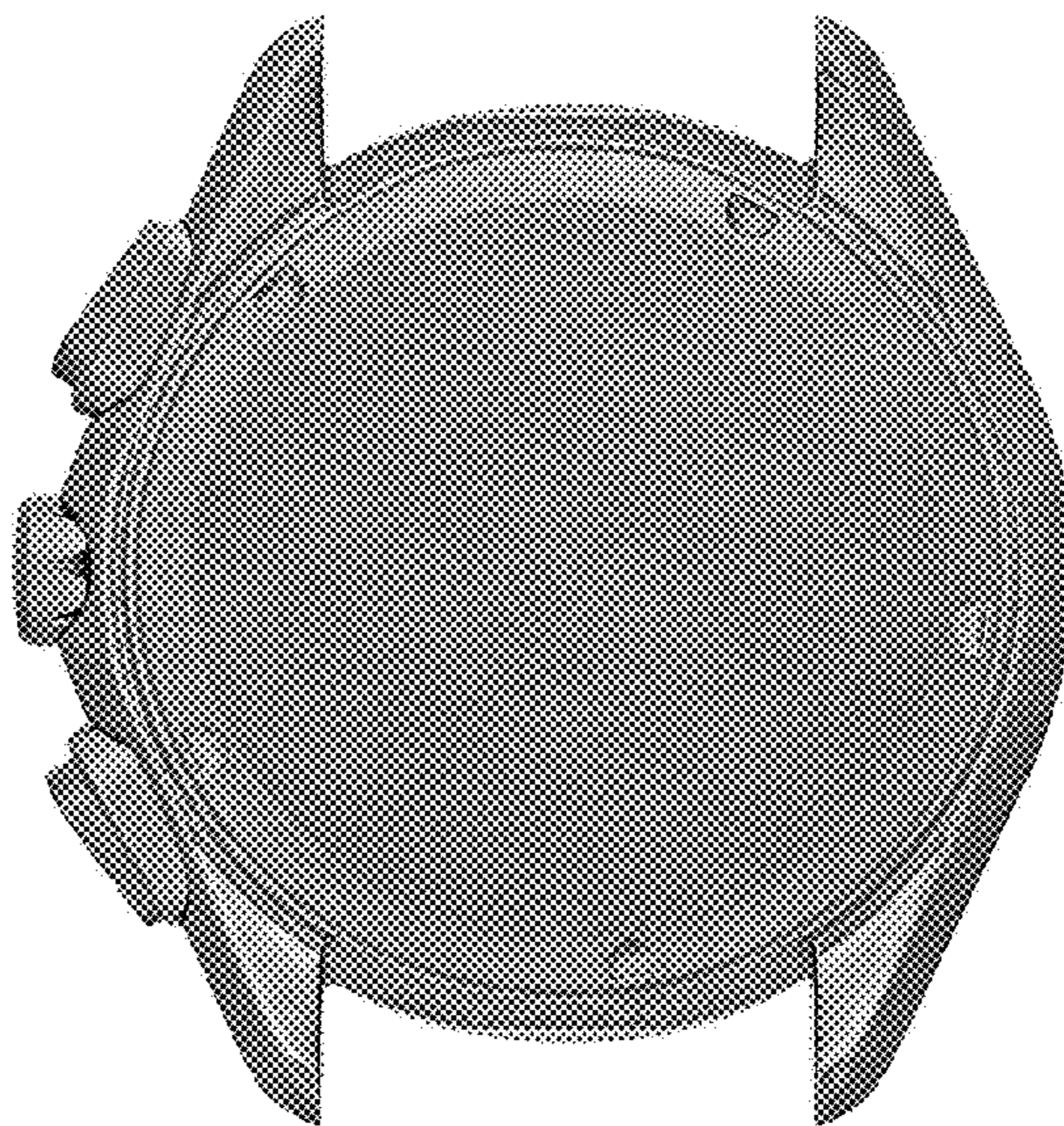


FIG. 6

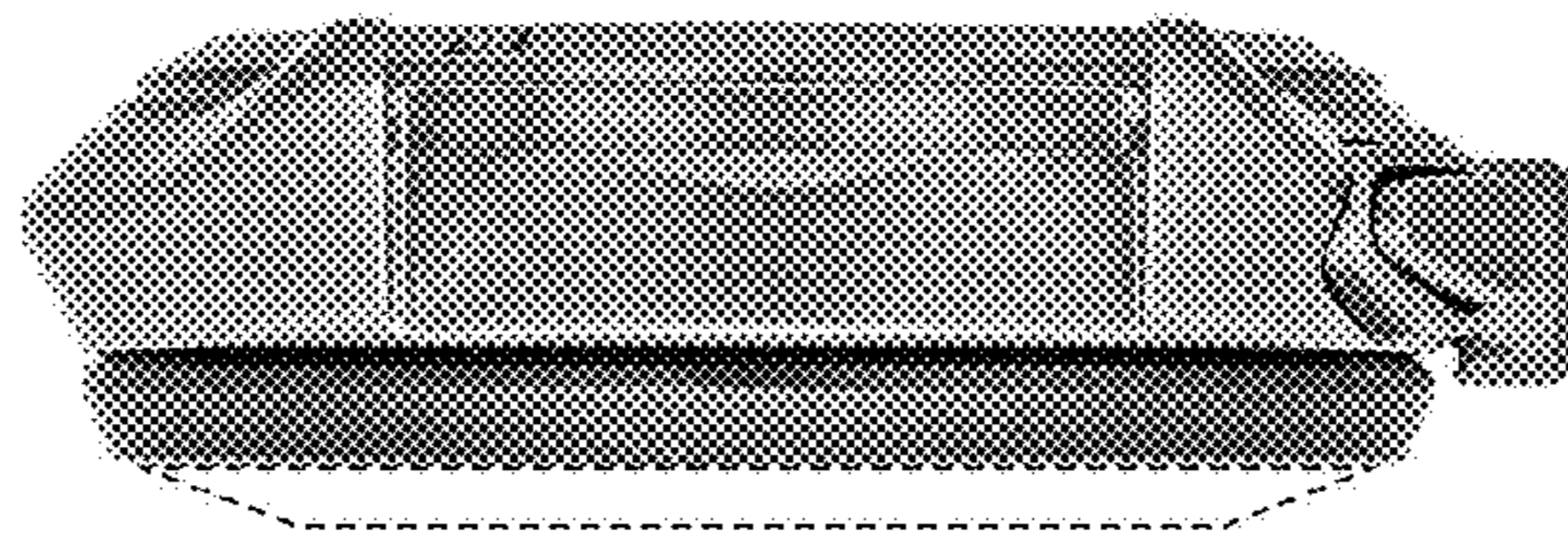


FIG. 7

