



US00D848281S

(12) **United States Design Patent**
Troudt et al.

(10) **Patent No.:** **US D848,281 S**

(45) **Date of Patent:** **** May 14, 2019**

(54) **CONTAINER**

B65D 2543/00083; B65D 2543/00268;
B65D 2543/00277; B65D 2543/00351;

(Continued)

(71) Applicant: **D6 Inc.**, Portland, OR (US)

(72) Inventors: **Martin Troudt**, Wood Village, OR (US); **Ed Dominion**, Portland, OR (US); **Ryan Newson**, Portland, OR (US)

(56) **References Cited**

U.S. PATENT DOCUMENTS

5,381,901 A * 1/1995 Hundley B65D 1/36
206/457
5,497,885 A * 3/1996 Sussman A47G 19/065
206/217

(Continued)

(73) Assignee: **D6 Inc.**, Portland, OR (US)

(**) Term: **15 Years**

(21) Appl. No.: **29/619,253**

(22) Filed: **Sep. 27, 2017**

(51) **LOC (11) Cl.** **09-03**

(52) **U.S. Cl.**
USPC **D9/737**

(58) **Field of Classification Search**

USPC D9/341, 347, 414-432, 440, 444, 447,
D9/449, 450-454, 503, 504, 737, 759,
D9/761; D7/672, 601, 550.1, 551.1,
D7/551.2, 551.3, 552.1, 552.2, 553.1,
D7/553.2, 553.3, 553.4, 553.5, 553.7,
D7/553.8, 554.1, 554.3, 555, 557, 602,
D7/629, 630, 538-542, 612-615, 584,
D7/586, 587, 392.1, 709, 502, 608, 622,
D7/701, 703, 543-549, 317-319, 391,
D7/392, 396.2, 510, 511; D3/273,
D3/201-206, 276, 283, 284, 295, 274,
D3/302; D11/143; 249/126, 134;
206/216, 217, 541-550, 518, 557, 558,
206/561, 564, 223, 467; 220/669-673,
220/675, 574-575, 573.1, 4.21, 660, 326,
220/236, 780-806, 4.24, 288, 260, 266,
220/306, 352, 356, 523, 23.8, 23.2, 23.83,
220/23.4, 662, 700, 701, 703, 711,
220/713-715, 719; 426/106; 229/107,
229/406, 120, 125.17; 215/211, 200, 224,
215/243

CPC B65D 1/36; B65D 2543/00194; B65D
2543/00296; B65D 2543/00555; B65D
2581/3425; B65D 25/04; B65D 43/0218;

OTHER PUBLICATIONS

U.S. Appl. No. 29/619,252 Application filed Sep. 27, 2017, 23 pages.

(Continued)

Primary Examiner — Cathron C Brooks

Assistant Examiner — W. A. Teddy Falloway

(74) *Attorney, Agent, or Firm* — Stoel Rives LLP

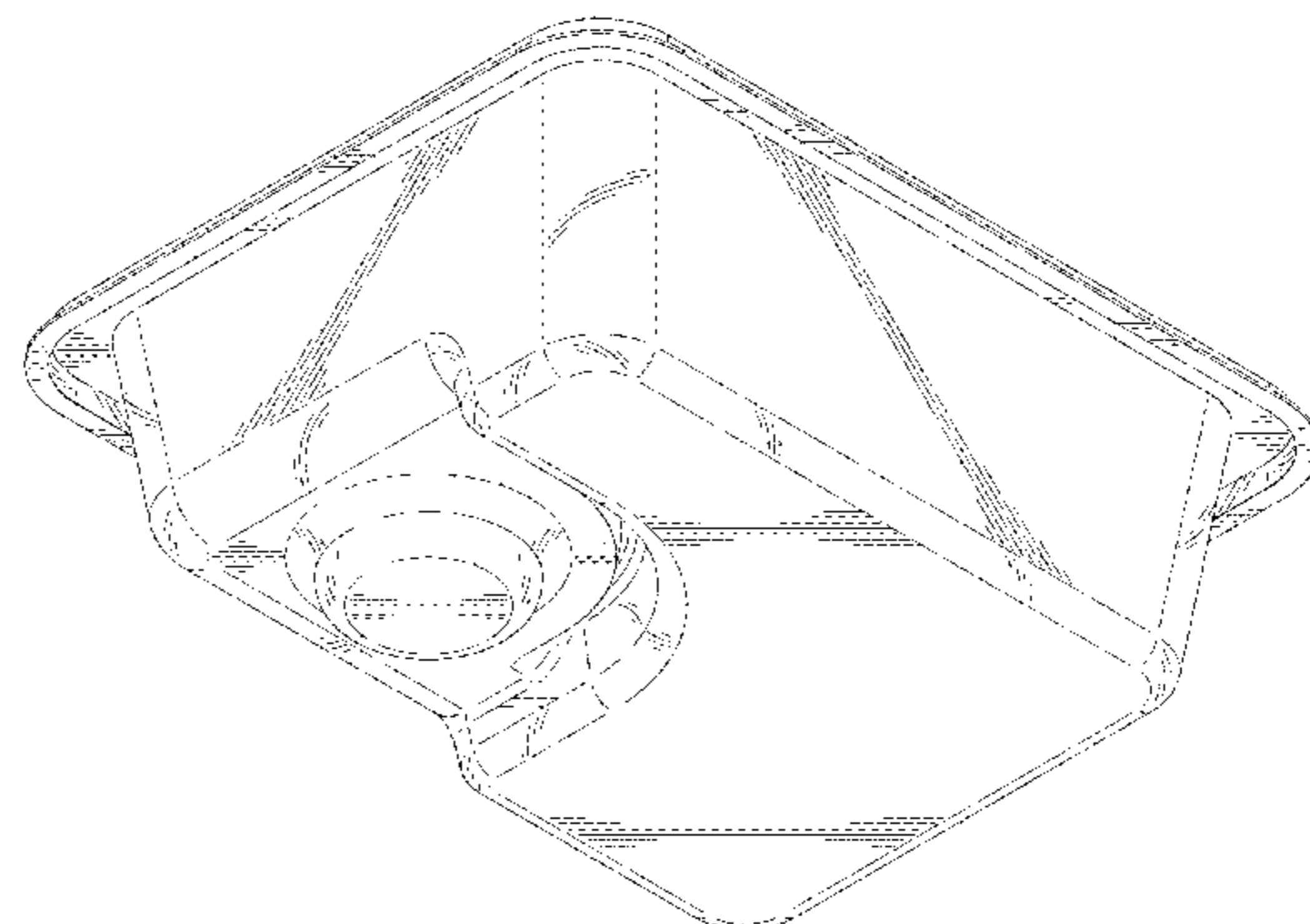
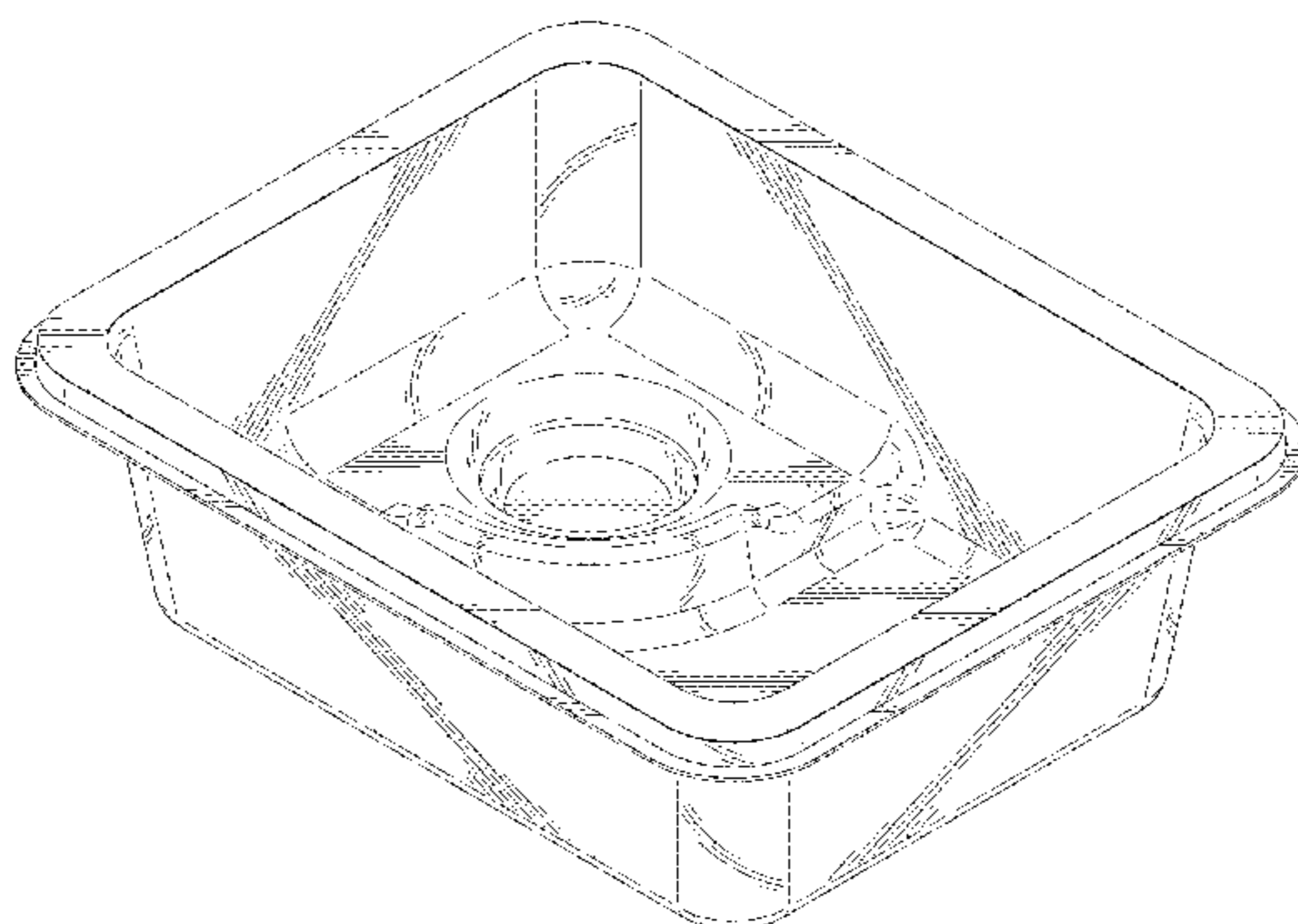
(57) **CLAIM**

The ornamental design for a container, as shown and described.

DESCRIPTION

FIG. 1 is a front, top perspective view of a container showing our new design;
FIG. 2 is front elevation view thereof;
FIG. 3 is rear elevation view thereof;
FIG. 4 is right side view thereof;
FIG. 5 is a left side view thereof;
FIG. 6 is a top plan view thereof;
FIG. 7 is a bottom plan view thereof; and,
FIG. 8 is a front, bottom perspective view thereof.
Any line shading shown illustrates the character and/or contour of the surfaces of the design.

1 Claim, 6 Drawing Sheets



(58) **Field of Classification Search**

CPC B65D 81/3453; B65D 43/16; B65D 51/28;
B65D 43/162; B65D 1/24; B65D
21/0237; B65D 2543/00101; A47G 19/02;
A47G 19/065; A47G 23/0608; A47G
23/06

See application file for complete search history.

(56) **References Cited**

U.S. PATENT DOCUMENTS

D414,409 S * 9/1999 Sanfilippo D7/553.4
D416,433 S * 11/1999 Fletcher D7/359
6,065,629 A * 5/2000 Sarnoff B65D 1/34
220/315
D514,441 S * 2/2006 Snedden D9/418
D527,628 S * 9/2006 Patel D9/429
7,874,449 B1 * 1/2011 Studee A47G 19/02
206/219
D735,573 S * 8/2015 Jondal D9/426
D787,930 S * 5/2017 Buck D9/425
2014/0156561 A1 * 6/2014 Steele B65D 1/36
705/500

OTHER PUBLICATIONS

U.S. Appl. No. 29/619,252 Filing Receipt dated Oct. 2, 2017, 3
pages.

U.S. Appl. No. 29/619,252 Office Action dated May 1, 2018, 15
pages.

U.S. Appl. No. 29/619,252 Response to Office Action dated Jul. 30,
2018, 6 pages.

* cited by examiner

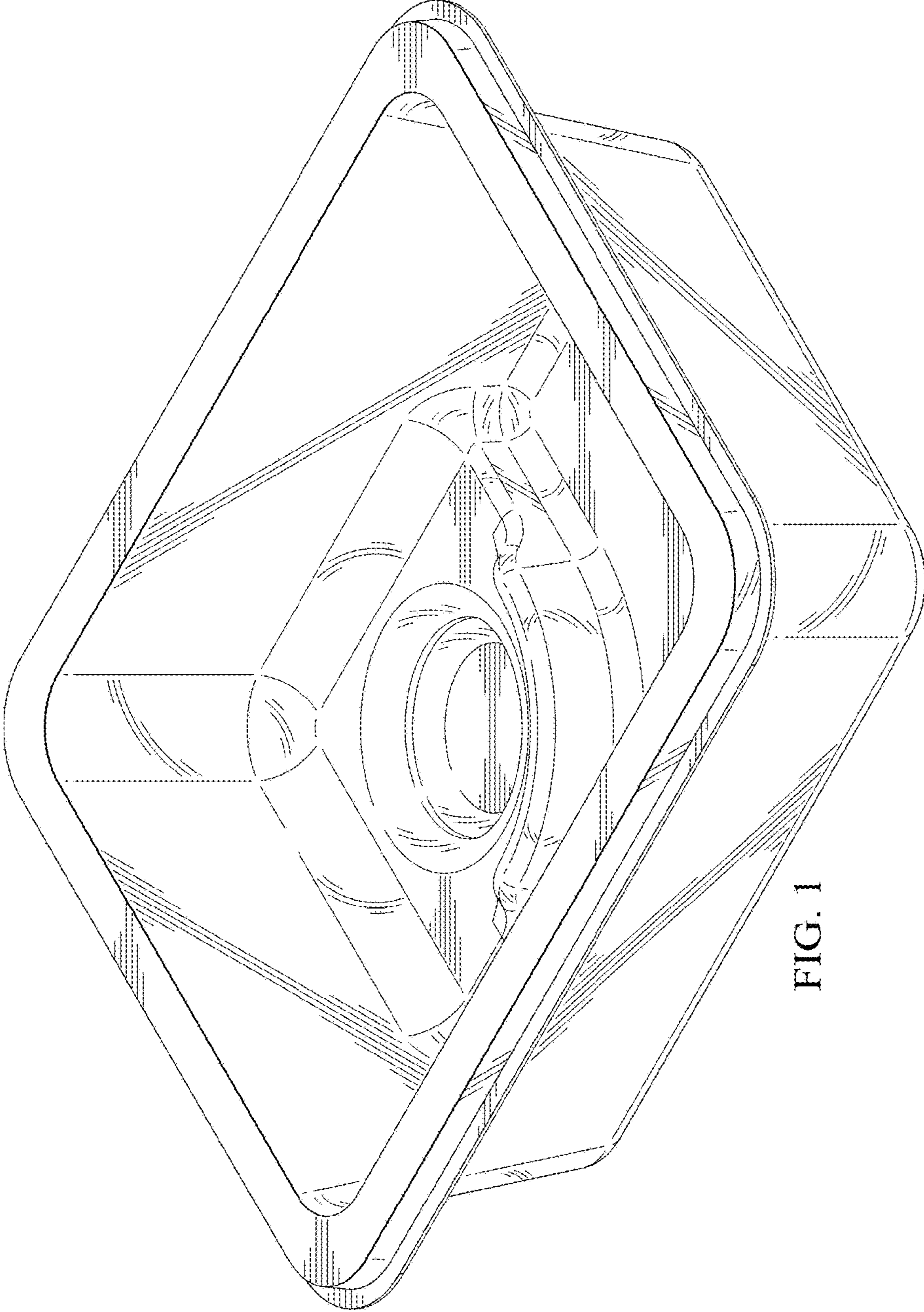


FIG. 1

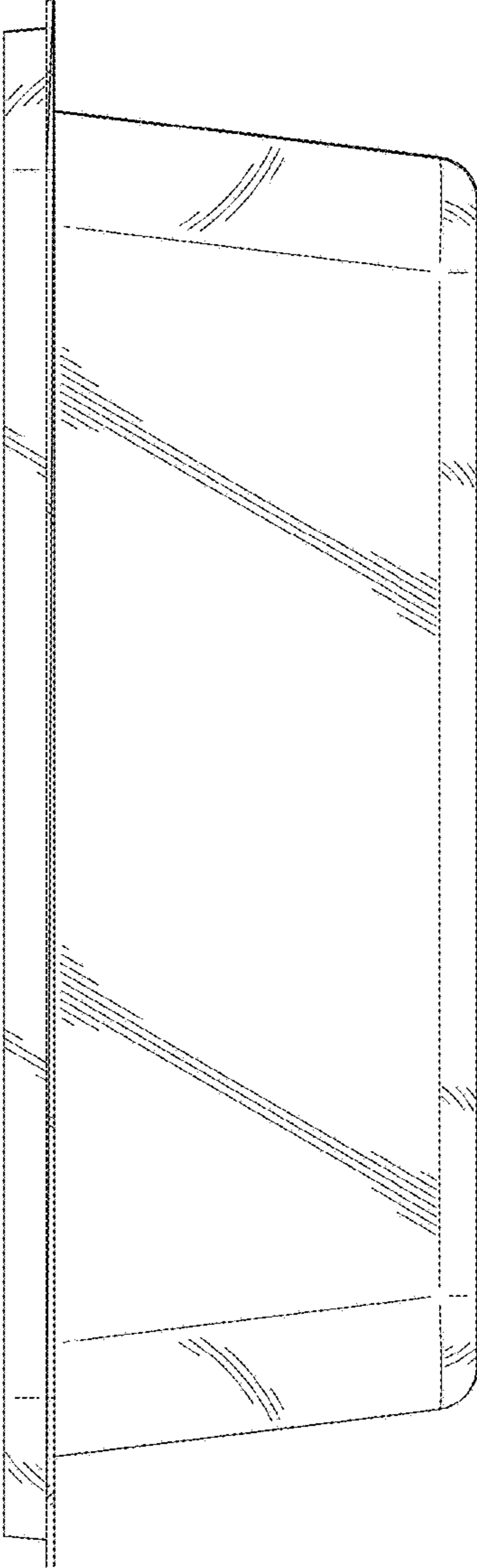


FIG. 2

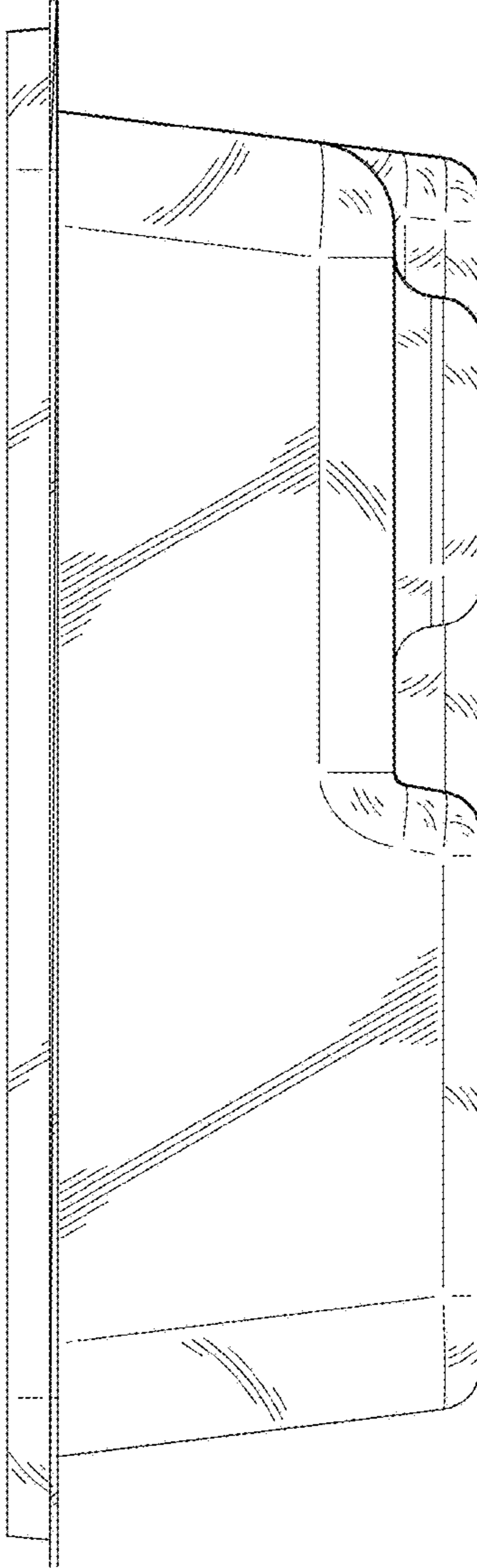


FIG. 3

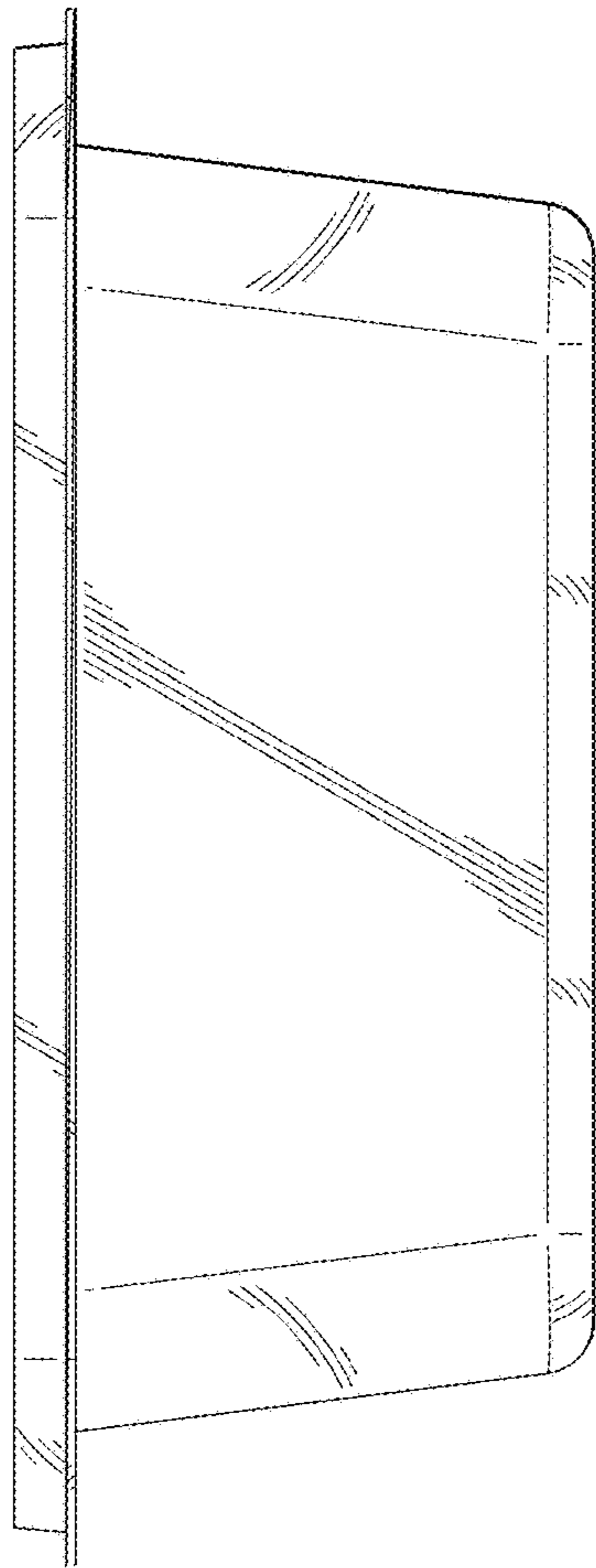


FIG. 4

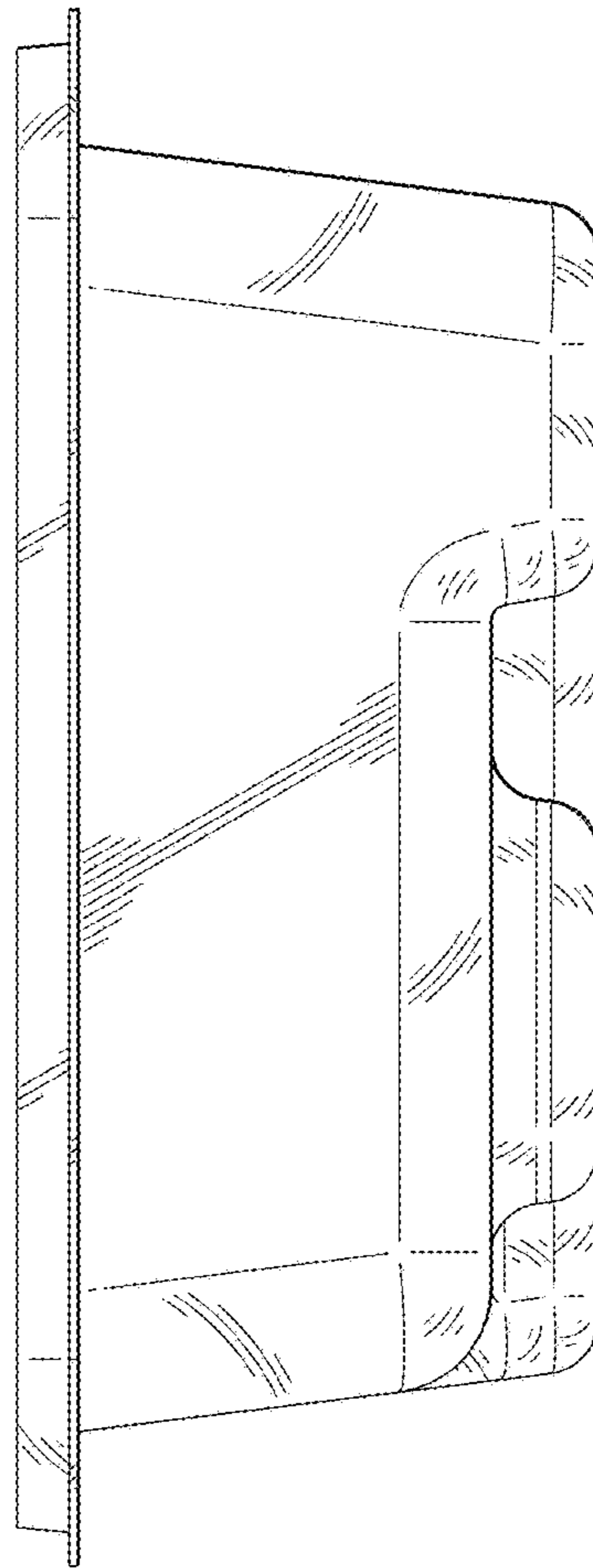


FIG. 5

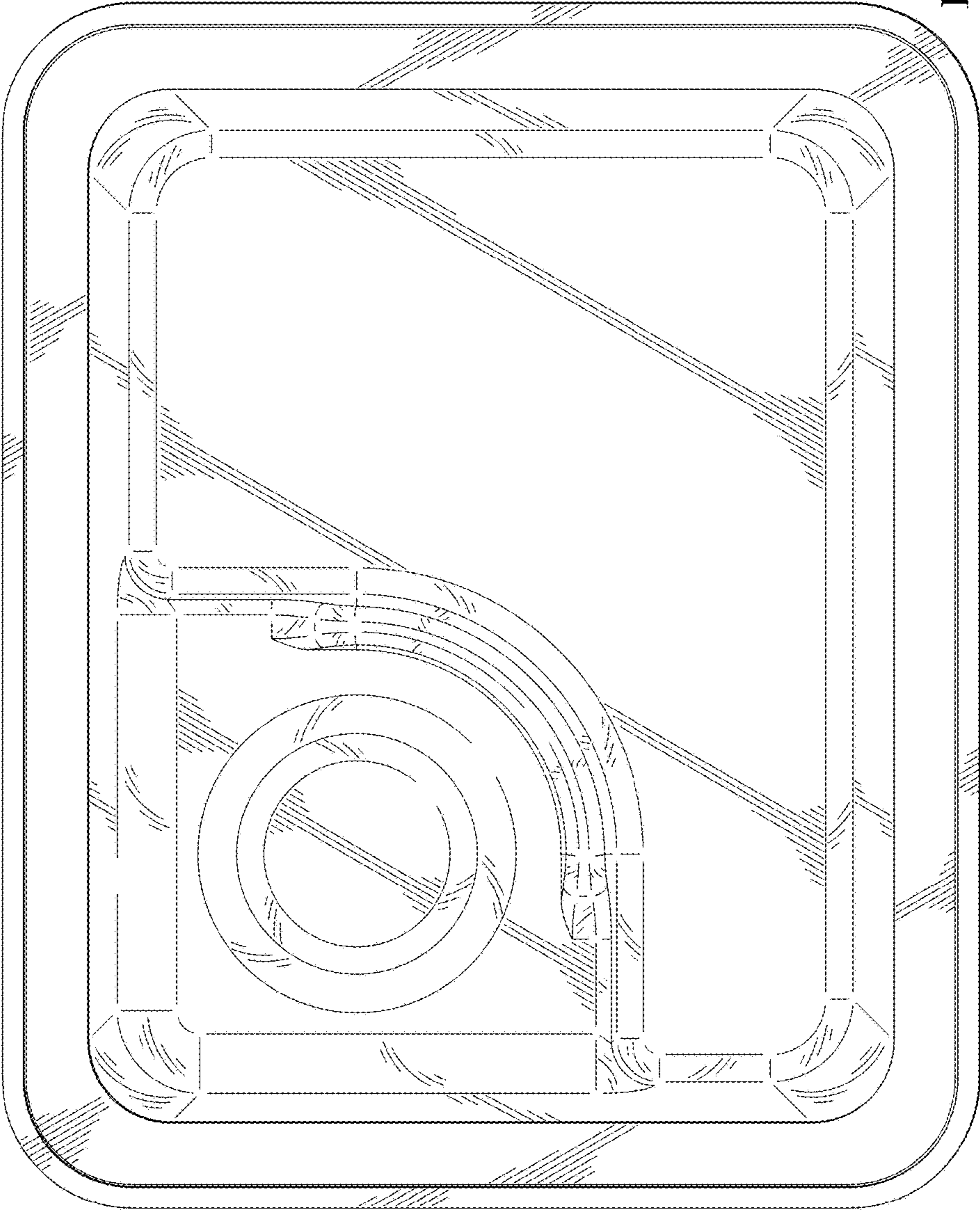


FIG. 6

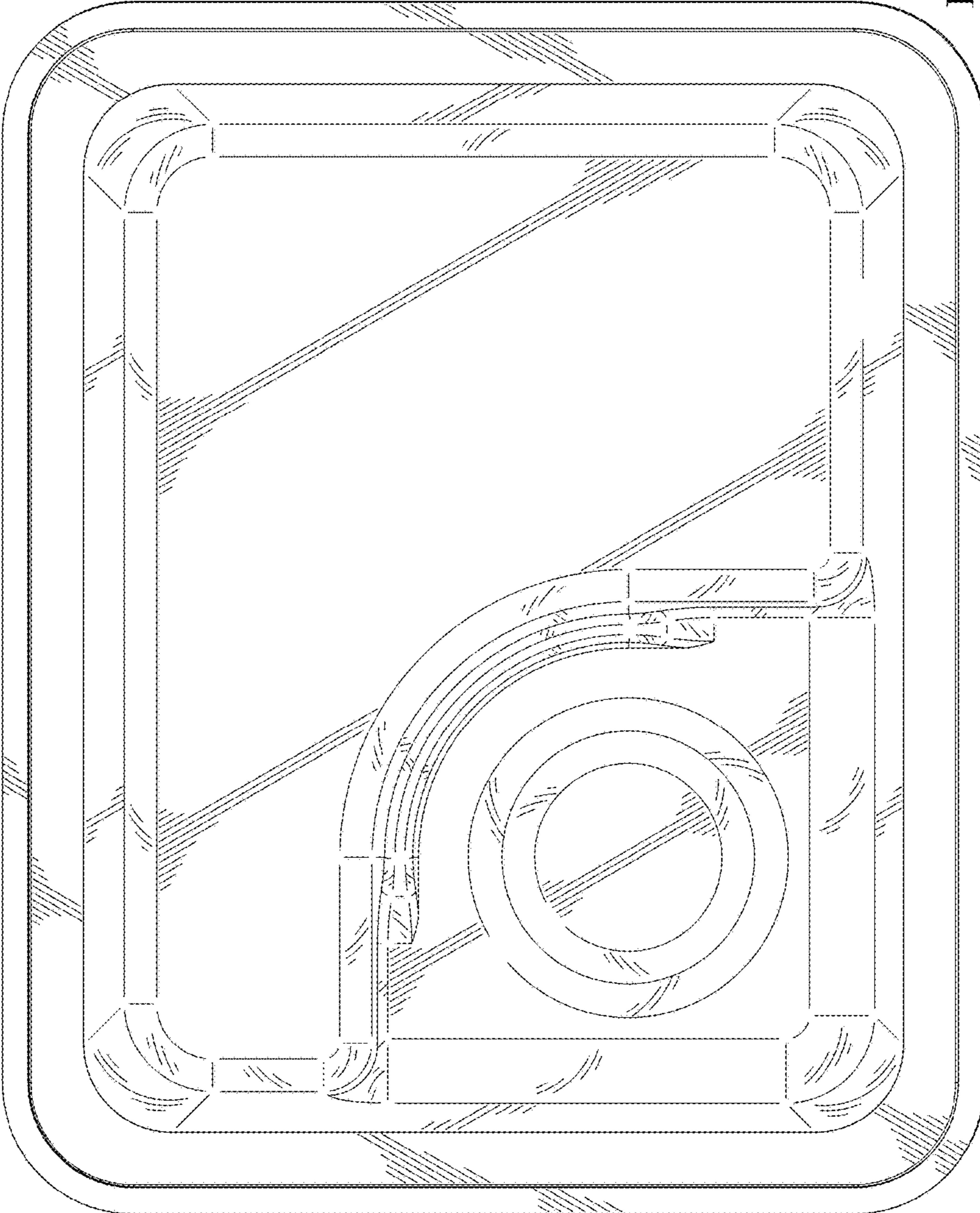


FIG. 7

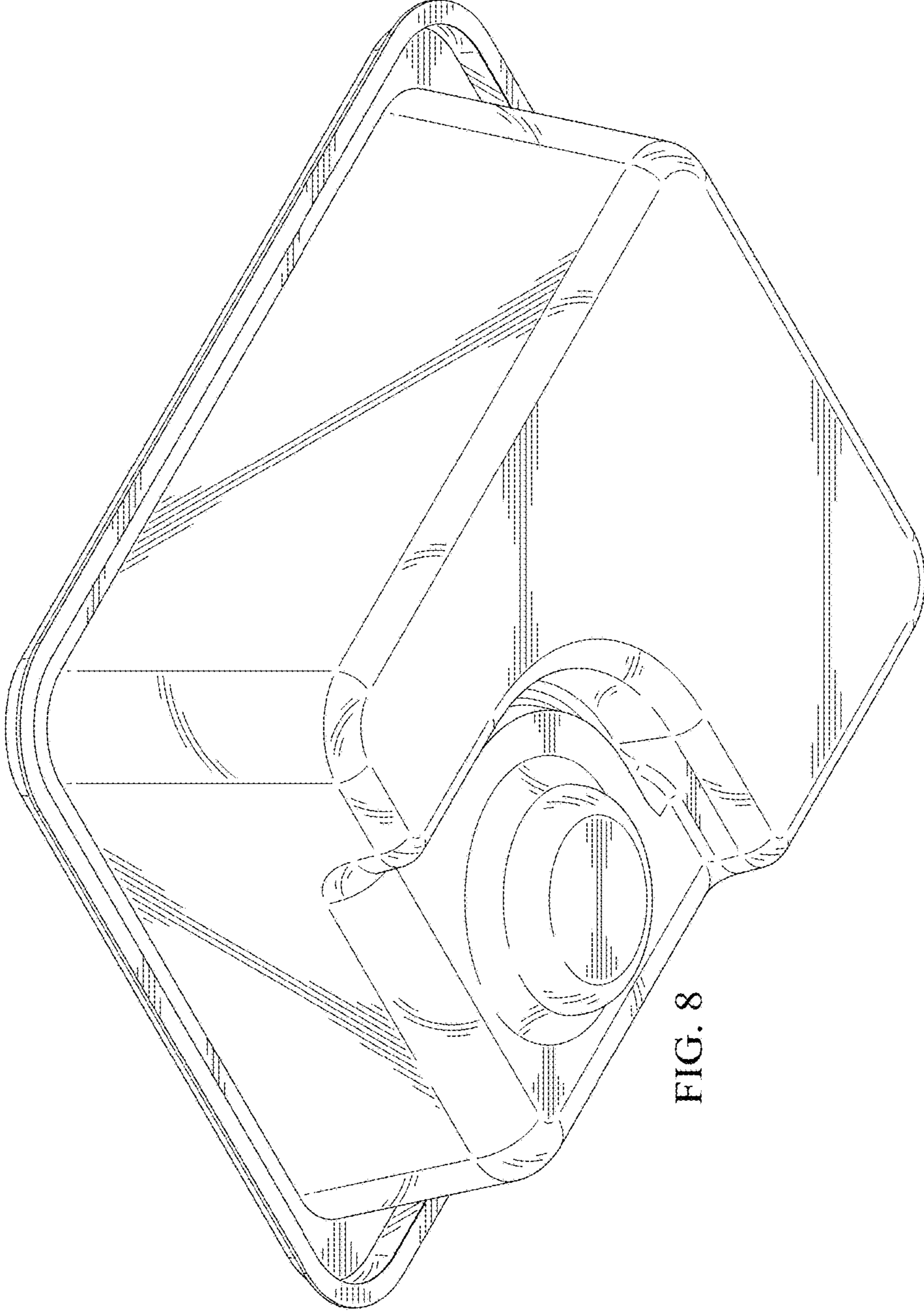


FIG. 8