



US00D848279S

(12) **United States Design Patent**
Mehta

(10) **Patent No.:** **US D848,279 S**
(45) **Date of Patent:** **** May 14, 2019**

(54) **APPLICATOR AND PACKAGING ASSEMBLY**

(71) Applicant: **JE MATADI, INC.**, Stafford, TX (US)

(72) Inventor: **Pershant Mehta**, Stafford, TX (US)

(73) Assignee: **JE MATADI, Inc.**, Stafford, TX (US)

(**) Term: **15 Years**

(21) Appl. No.: **29/634,062**

(22) Filed: **Jan. 18, 2018**

(51) **LOC (11) Cl.** **09-03**

(52) **U.S. Cl.**
USPC **D9/721**; D9/707

(58) **Field of Classification Search**
USPC D9/414, 424, 609, 702, 707, 710, 721;
D28/7; D24/100
CPC B65B 11/50; B65B 25/005; B65B 47/02;
B65B 9/04; B65B 1/04; B65B 61/06;
B65B 9/045; B65B 11/52; B65B 31/00;
B65B 47/04; B65B 51/10; B65B 53/02;
B65B 7/02; B65B 51/02; B65B 5/04;
B65B 69/0041
See application file for complete search history.

(56) **References Cited**

U.S. PATENT DOCUMENTS

1,791,351 A 2/1931 Chase
1,888,314 A * 11/1932 Framke A45D 40/0087
132/317
D111,709 S * 10/1938 Levy D9/721
2,598,323 A 5/1952 Wagar
(Continued)

FOREIGN PATENT DOCUMENTS

JP 04187627 11/1990
WO 2005027684 3/2005

Primary Examiner — Lauren R Calve

(74) *Attorney, Agent, or Firm* — Craft Chu PLLC;
Andrew W. Chu

(57) **CLAIM**

The ornamental design for an applicator and packaging assembly, as shown and described.

DESCRIPTION

FIG. 1 is an upper exploded perspective view of an applicator and packaging assembly showing my new design in an environmental use including a chemical composition in broken lines;

FIG. 2 is an upper perspective view of the applicator and packaging assembly;

FIG. 3 is a front elevation view of the packaging component of the applicator and packaging assembly for clarity of illustration;

FIG. 4 is a back elevation view thereof;

FIG. 5 is a front elevation view of the applicator component of the applicator and packaging assembly for clarity of illustration, a back elevation view being identical;

FIG. 6 is a side elevation view thereof, the opposite side elevation view, the end and opposite end views being identical;

FIG. 7 is a front elevation view of the applicator and packaging assembly of FIG. 2;

FIG. 8 is a back elevation view thereof;

FIG. 9 is a side elevation view thereof;

FIG. 10 is an opposite side elevation view thereof;

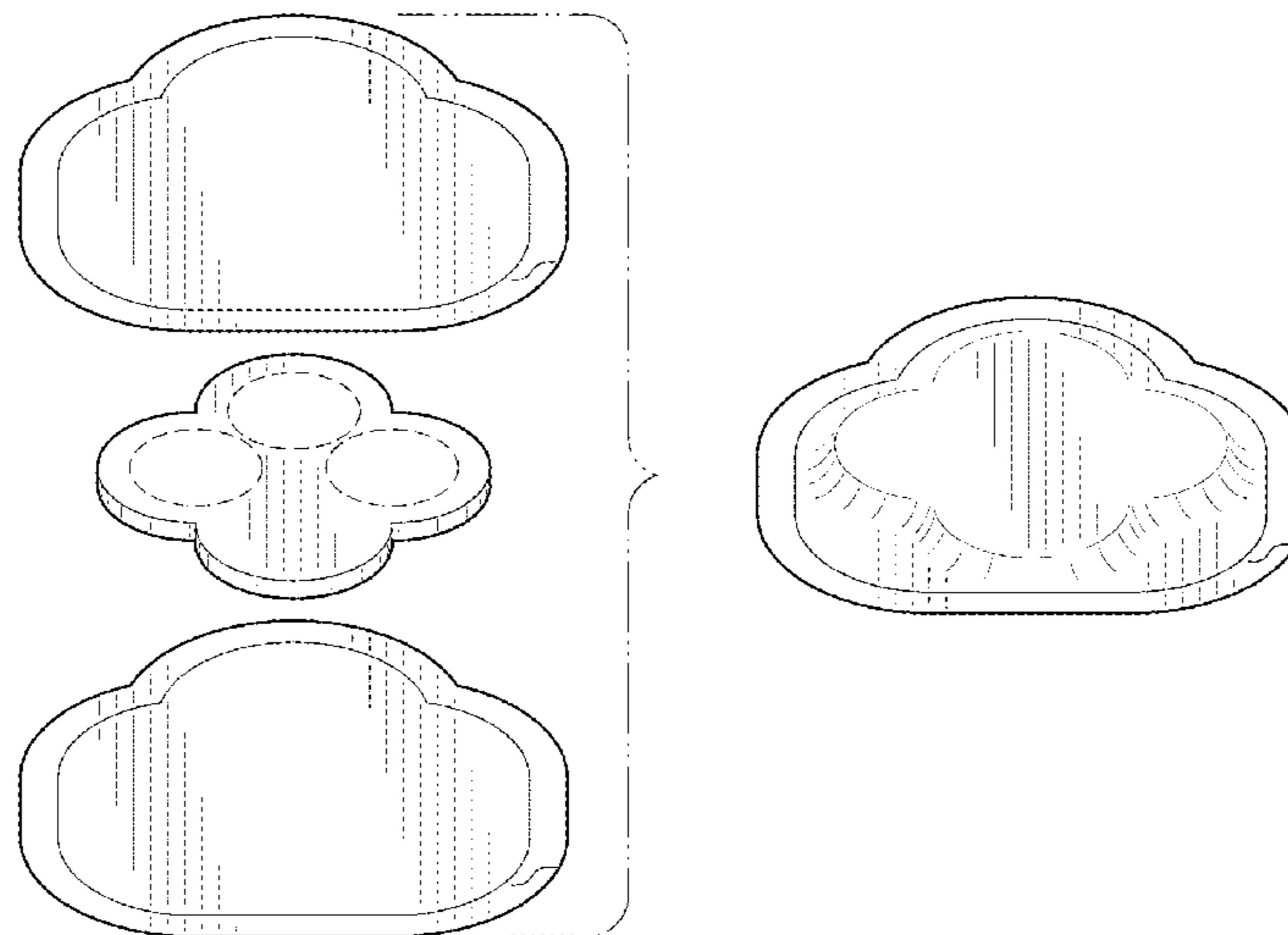
FIG. 11 is an end elevation view thereof; and,

FIG. 12 is an opposite end elevation view thereof.

The broken line portions of FIG. 1 are included for the purpose of illustrating use and environment and form no part of the claimed design.

The side, opposite side, end and opposite end elevation views of the foil wrapper component are not shown, and no claim is made to the side, opposite side, end and opposite end elevation views of the foil wrapper component.

1 Claim, 2 Drawing Sheets



(56)

References Cited

U.S. PATENT DOCUMENTS

4,369,885	A *	1/1983	Redmond	B65B 11/50 206/461				
5,647,941	A	7/1997	Gunderman et al.						
6,062,234	A	5/2000	Finocchiaro et al.						
6,190,730	B1	2/2001	Matsos						
6,260,887	B1	7/2001	Fujii						
6,312,181	B1 *	11/2001	Joulia	A45D 33/38 132/317				
7,297,285	B2	11/2007	Chang						
D578,011	S *	10/2008	Friedland	D9/707				
7,514,071	B2	4/2009	Simon						
D650,522	S *	12/2011	Gundersen	D28/7				
8,087,417	B2	1/2012	Dobler et al.						
D695,992	S *	12/2013	Wyne	D1/128				
D702,847	S *	4/2014	Arsenault	D24/206				
D720,213	S *	12/2014	Lee	D9/629				
D722,275	S *	2/2015	Lee	D9/703				
9,010,342	B2 *	4/2015	Orr	D21H 27/30 132/320				
9,113,692	B2	8/2015	Khan et al.						
9,301,589	B2	4/2016	Griffiths et al.						
D759,828	S *	6/2016	Riedle	D24/189				
D772,074	S *	11/2016	Gray	D9/702				
9,538,827	B2 *	1/2017	Burton	A45D 40/26				
D819,452	S *	6/2018	Chang	D9/707				
2007/0048062	A1 *	3/2007	Brunner	A47L 13/19 401/7				
2008/0002282	A1	1/2008	Henrik						
2008/0002286	A1	1/2008	Frank et al.						
2008/0002302	A1	1/2008	Burtzloff et al.						
2011/0229611	A1 *	9/2011	Sommerio	B65B 11/50 426/129				
2012/0051828	A1 *	3/2012	Gundersen	A45D 37/00 401/7				
2014/0019503	A1	7/2014	Balleis et al.						
2015/0063895	A1 *	3/2015	Dobler	B32B 37/226 401/261				
2016/0194129	A1 *	7/2016	Lebovich	B65B 11/48 426/87				

* cited by examiner

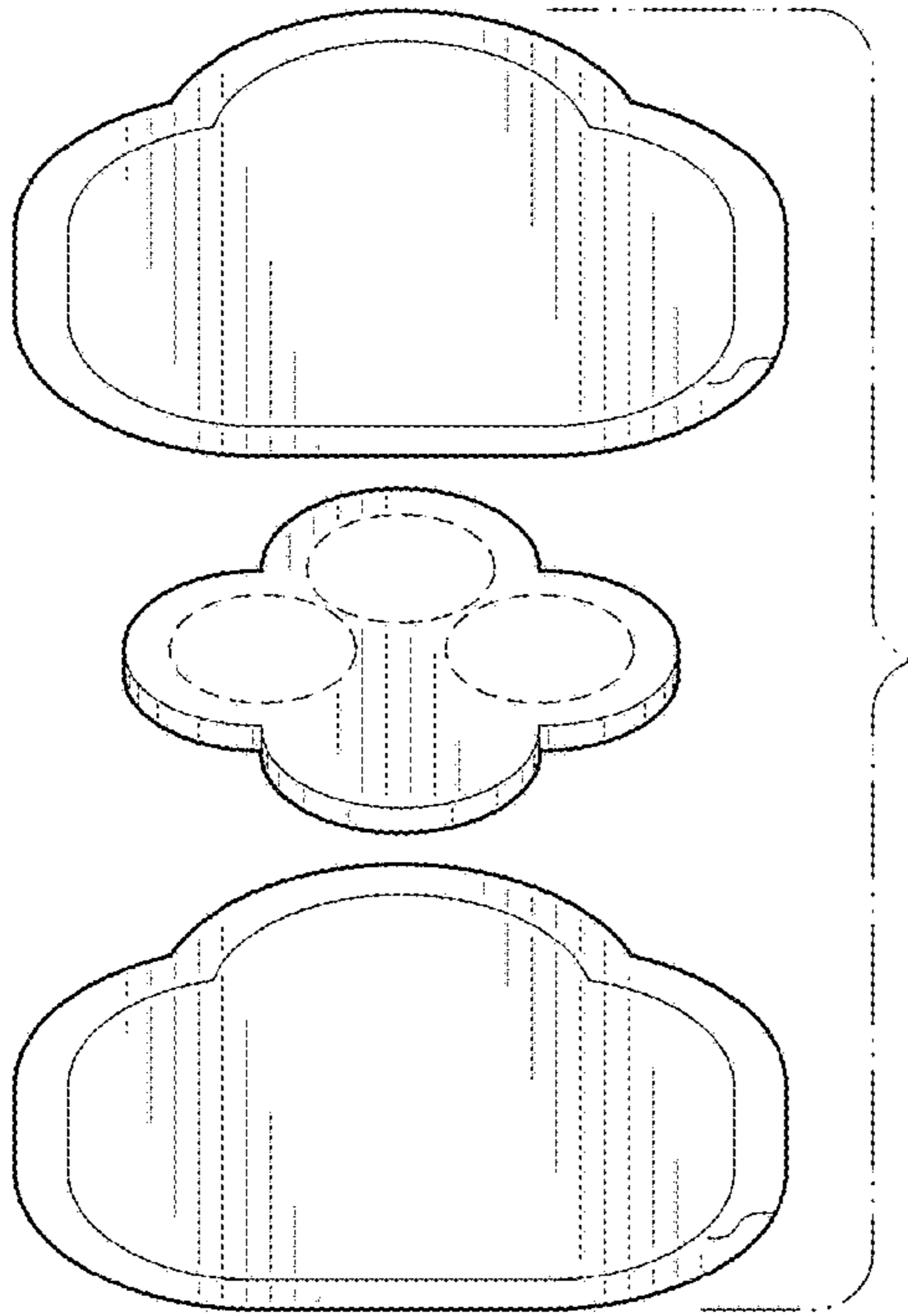


FIG. 1

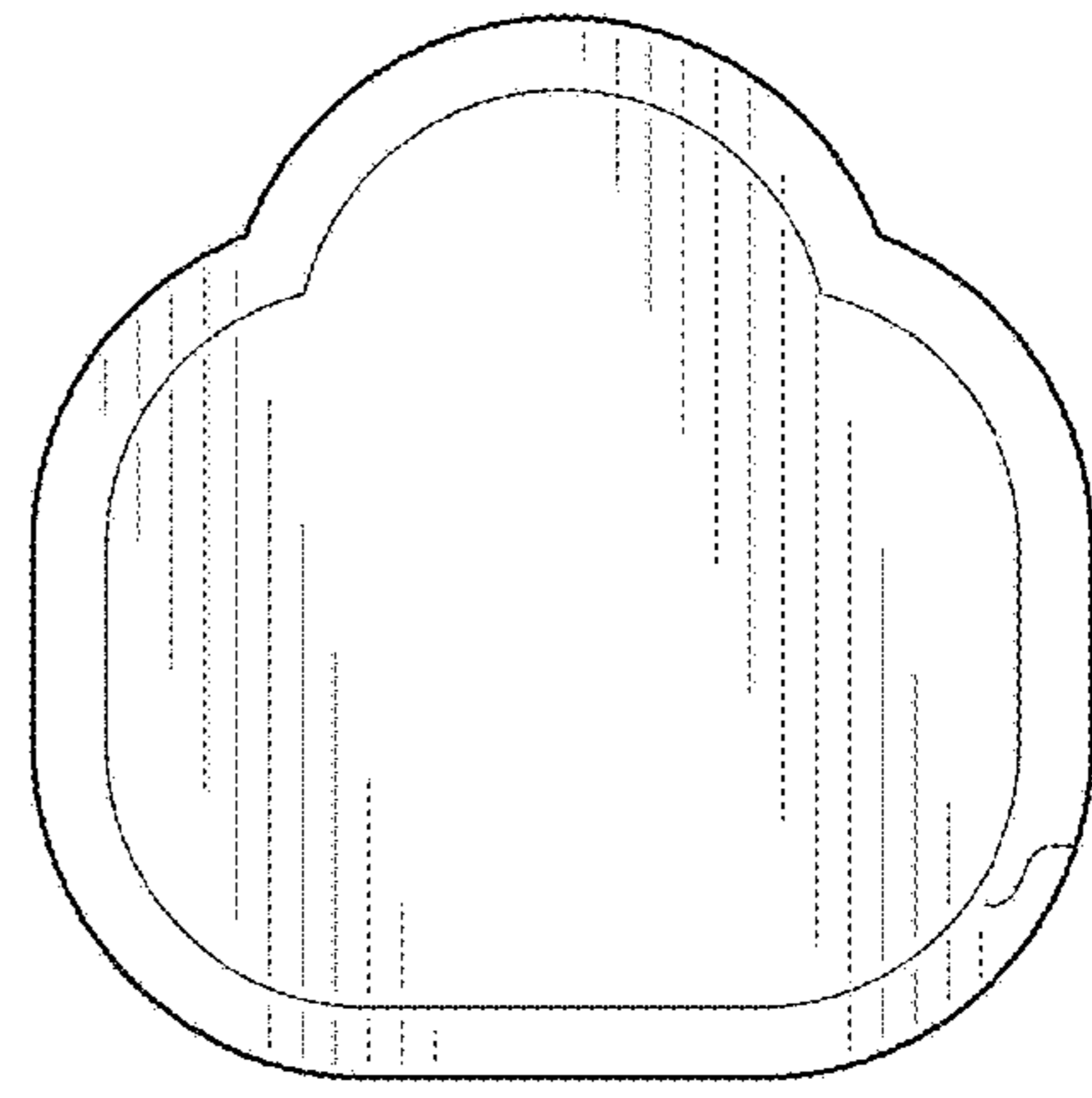


FIG. 3

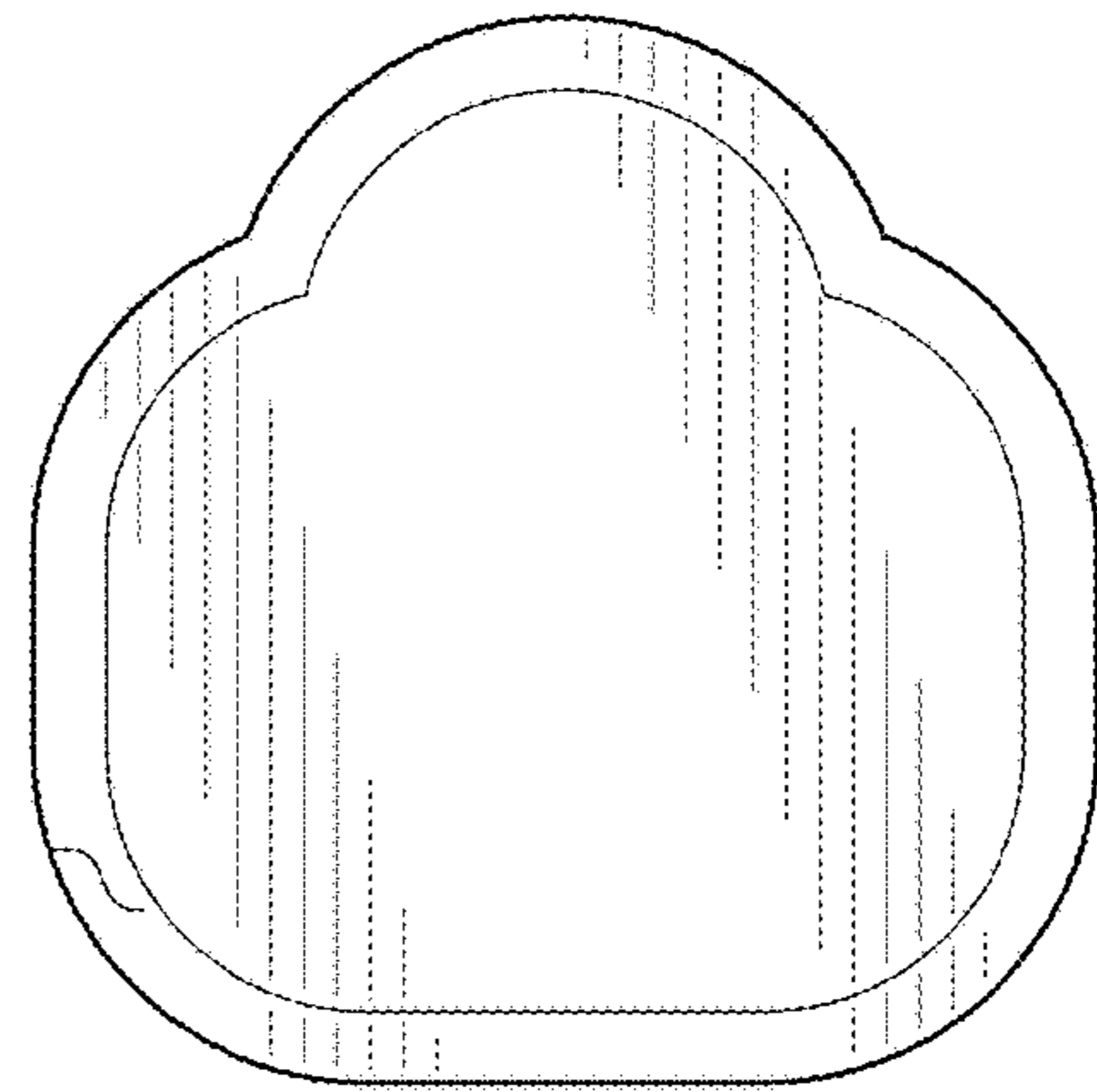


FIG. 4

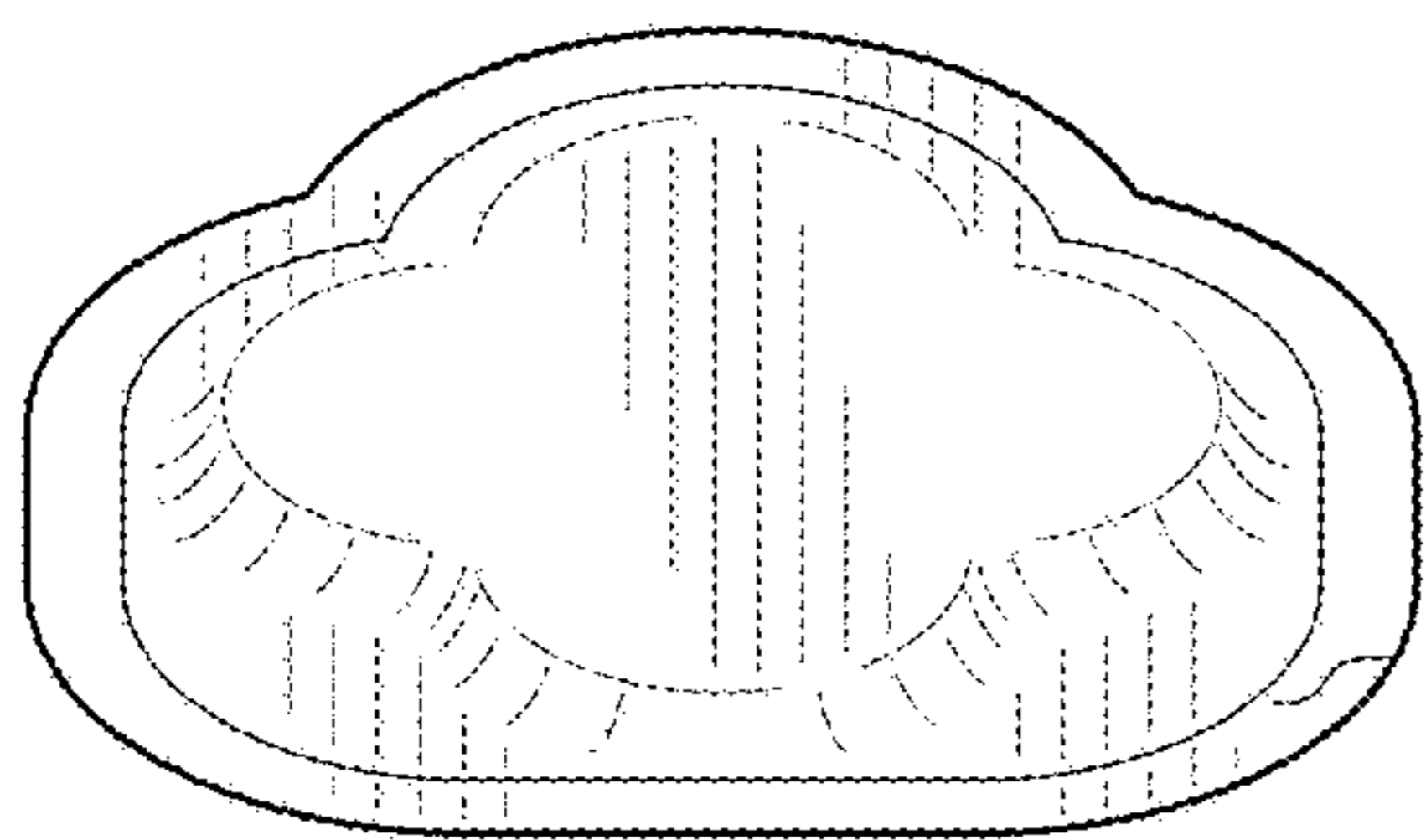


FIG. 2

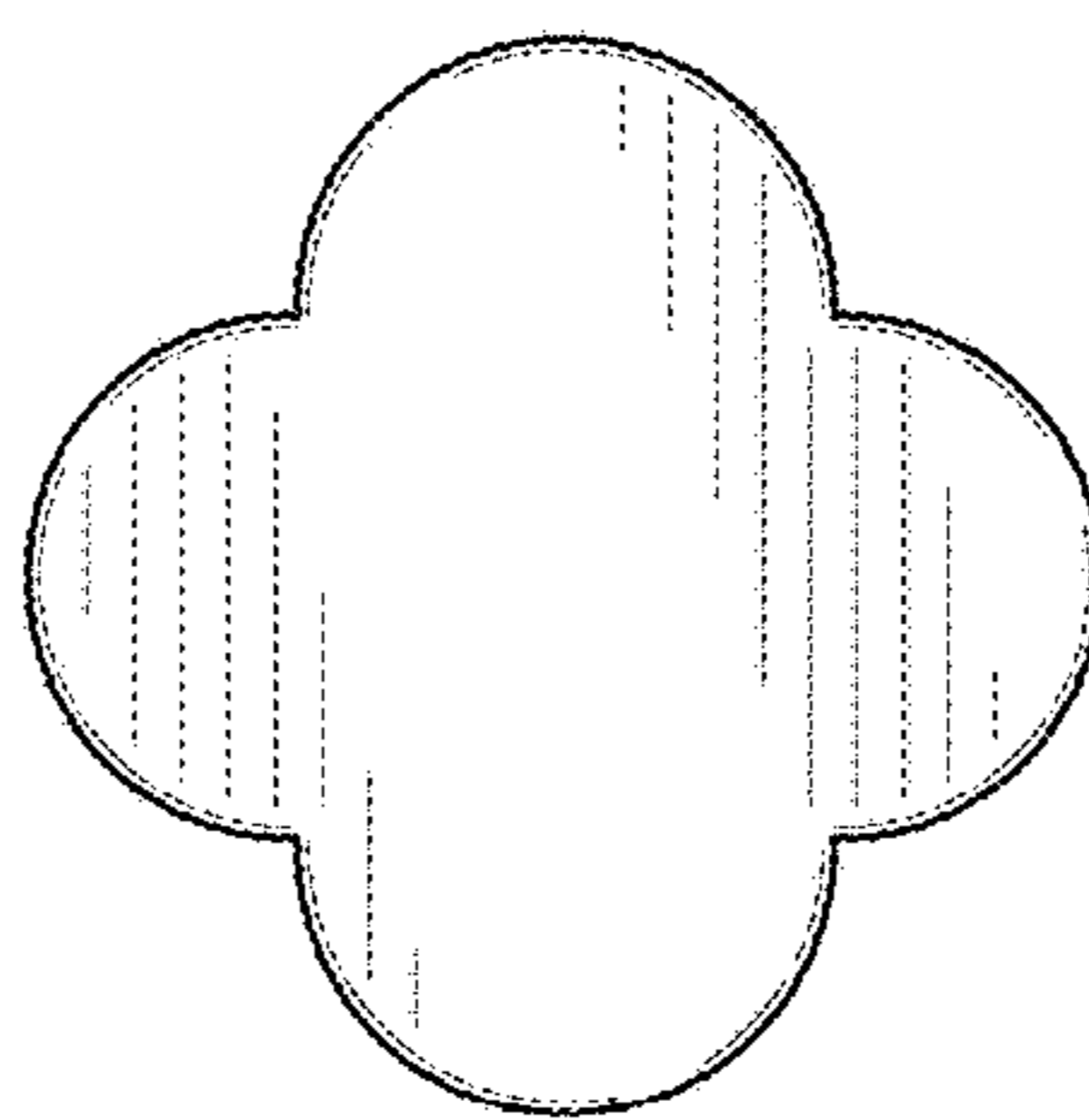


FIG. 5



FIG. 6

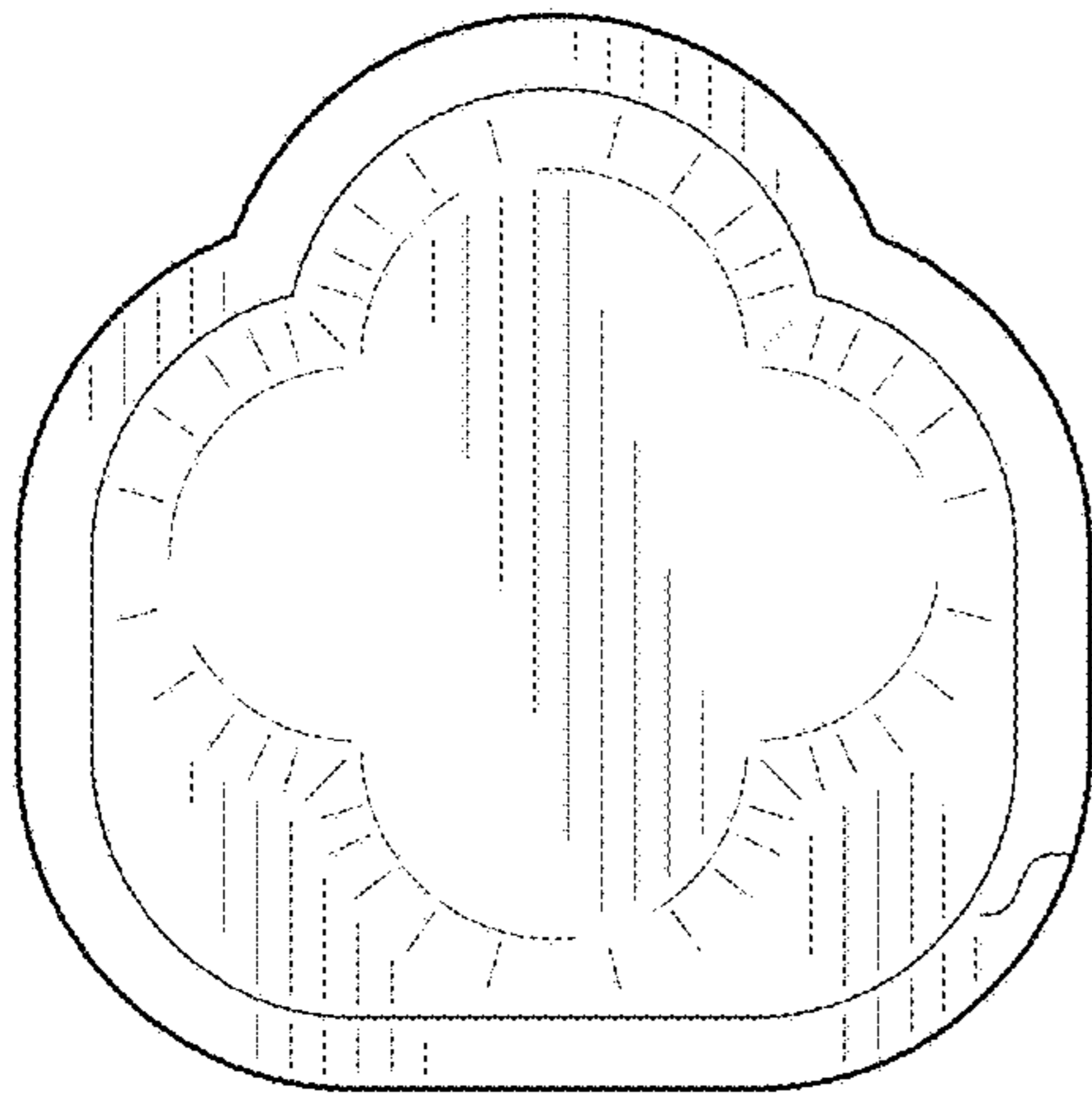


FIG. 7

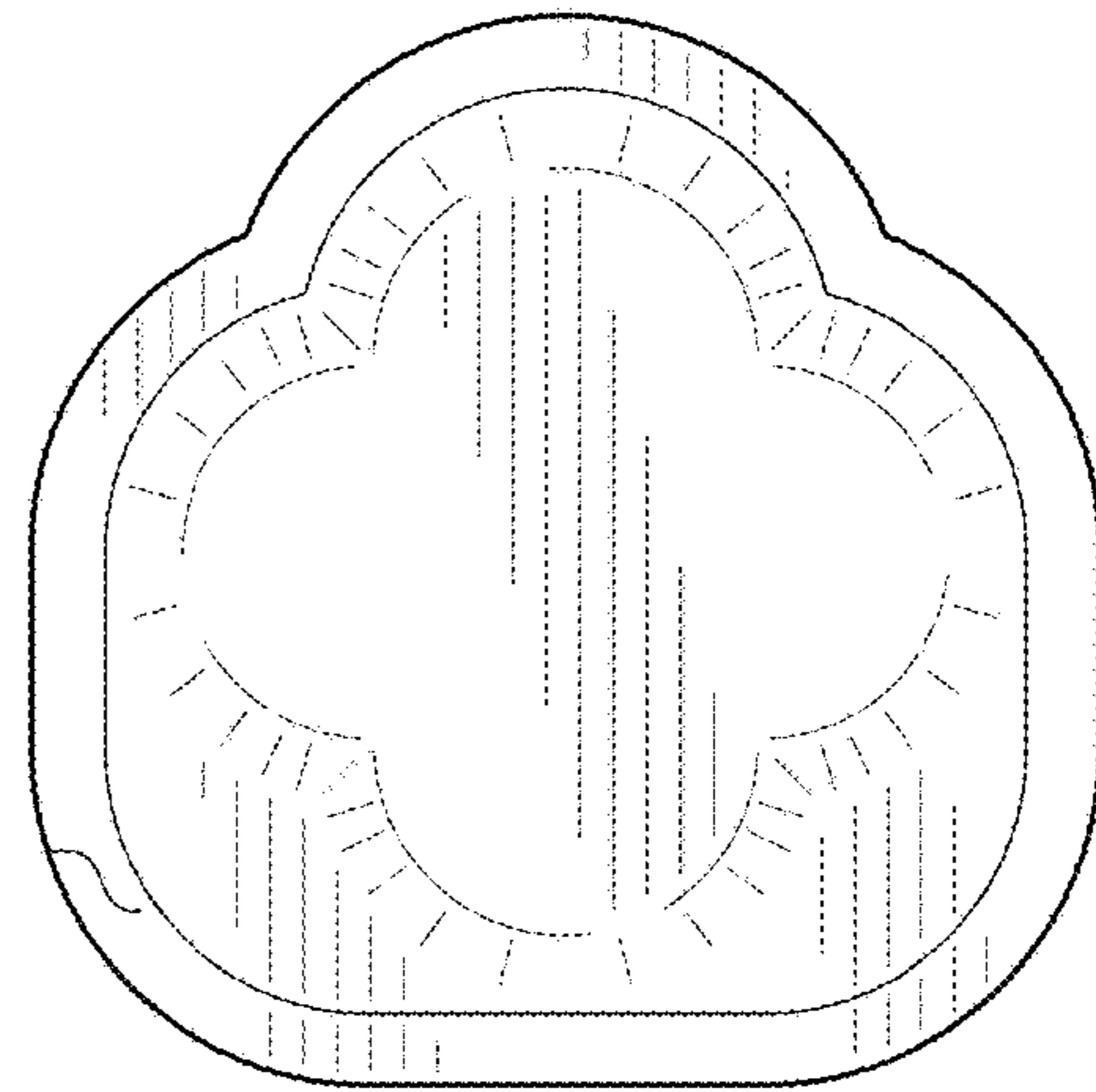


FIG. 8

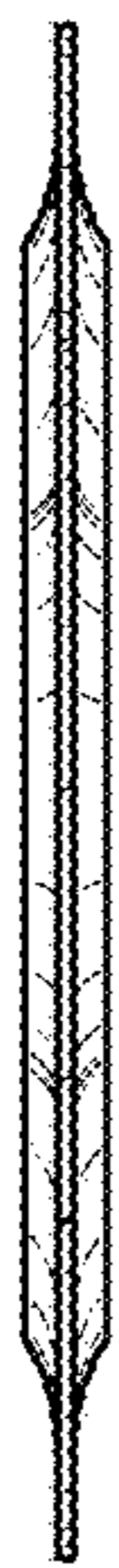


FIG. 9



FIG. 10

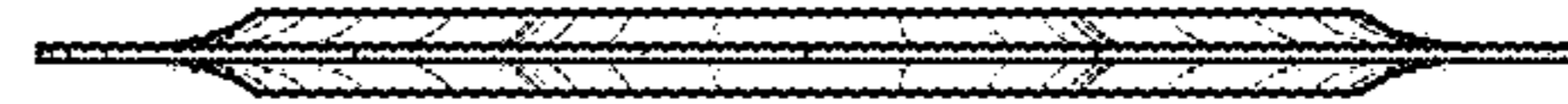


FIG. 11



FIG. 12