



US00D848278S

(12) **United States Design Patent**
Duck et al.

(10) **Patent No.:** **US D848,278 S**
(45) **Date of Patent:** **** May 14, 2019**

(54) **COMBINED PROBE COVERS AND PACKAGE**

(71) Applicant: **Medline Industries, Inc.**, Northfield, IL (US)

(72) Inventors: **Benjamin Duck**, McHenry, IL (US);
Allison Jamison, Chicago, IL (US)

(73) Assignee: **Medline Industries, Inc.**, Northfield, IL (US)

(**) Term: **15 Years**

(21) Appl. No.: **29/624,512**

(22) Filed: **Nov. 1, 2017**

(51) **LOC (11) Cl.** **09-03**

(52) **U.S. Cl.**
USPC **D9/721; D9/430**

(58) **Field of Classification Search**
USPC D9/414-423, 430-432, 433, 434, 456,
D9/457, 711, 713, 721-722
CPC ... B65D 5/00; B65D 5/02; B65D 5/18; B65D
5/20
See application file for complete search history.

(56) **References Cited**

U.S. PATENT DOCUMENTS

1,164,868	A *	12/1915	Redman	A01K 11/00 119/174
2,625,315	A *	1/1953	Fehrenkamp	B65D 5/106 229/113
2,670,892	A *	3/1954	Kendrick	B65D 5/4216 206/321
3,145,905	A *	8/1964	Moore	B65D 5/324 229/113
4,156,956	A	6/1979	Partridge et al.		
4,714,164	A	12/1987	Bachner		
D355,598	S *	2/1995	Aronhalt	D9/415
D433,942	S *	11/2000	Persson	D9/416
D438,463	S *	3/2001	Schill	D9/416
D456,710	S *	5/2002	Persson	D9/431

D469,687	S *	2/2003	Larian	D9/415
D564,794	S *	3/2008	Ehresman	D22/119
7,572,066	B2	8/2009	Lane et al.		
D633,787	S *	3/2011	Vinseiro	D9/431

(Continued)

OTHER PUBLICATIONS

Color Trapezoid Bags. [online] Published Nov. 12, 2017. Retrieved Aug. 29, 2018 from URL: http://www.swalter.com/online-store/bags/paper-shopping-bags/euroshoppers/color-trapezoid.*

(Continued)

Primary Examiner — Vy N Koenig

(74) *Attorney, Agent, or Firm* — Philip H. Burrus, IV

(57) **CLAIM**

The ornamental design for a combined probe covers and package, as shown and described.

DESCRIPTION

FIG. 1 is a first perspective view of a combined probe covers and package, shown in a closed configuration, and showing our new design;

FIG. 2 is a right elevation view thereof;

FIG. 3 is a left elevation view thereof;

FIG. 4 is a front elevation view thereof;

FIG. 5 is a rear elevation view thereof;

FIG. 6 is a top plan view thereof; and

FIG. 7 is a bottom plan view thereof.

FIG. 8 is a first perspective view of a combined probe covers and package, shown in an open configuration, and showing our new design;

FIG. 9 is a right elevation view thereof;

FIG. 10 is a left elevation view thereof;

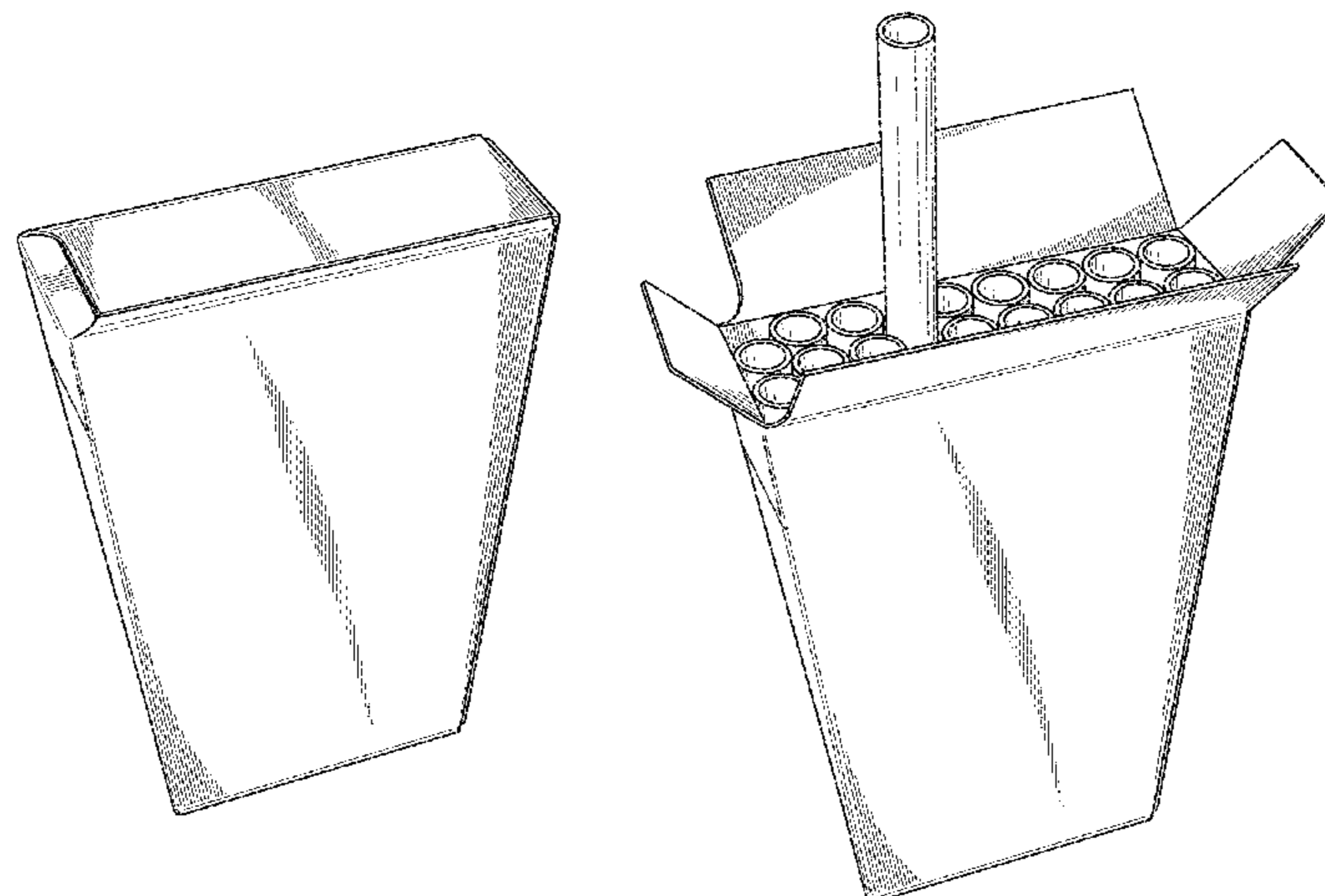
FIG. 11 is a front elevation view thereof;

FIG. 12 is a rear elevation view thereof;

FIG. 13 is a top plan view thereof; and,

FIG. 14 is a bottom plan view thereof.

1 Claim, 10 Drawing Sheets



(56)

References Cited

U.S. PATENT DOCUMENTS

8,479,972 B2 * 7/2013 Craft B65D 5/029
229/101
D769,114 S * 10/2016 Montemayor D9/431

OTHER PUBLICATIONS

Trapezoid Templatemaker. [online] Published Jul. 17, 2016. Retrieved Aug. 28, 2018 from URL: <https://www.templatemaker.nl/index.php?template=trapezoid&lang=en>.*

* cited by examiner

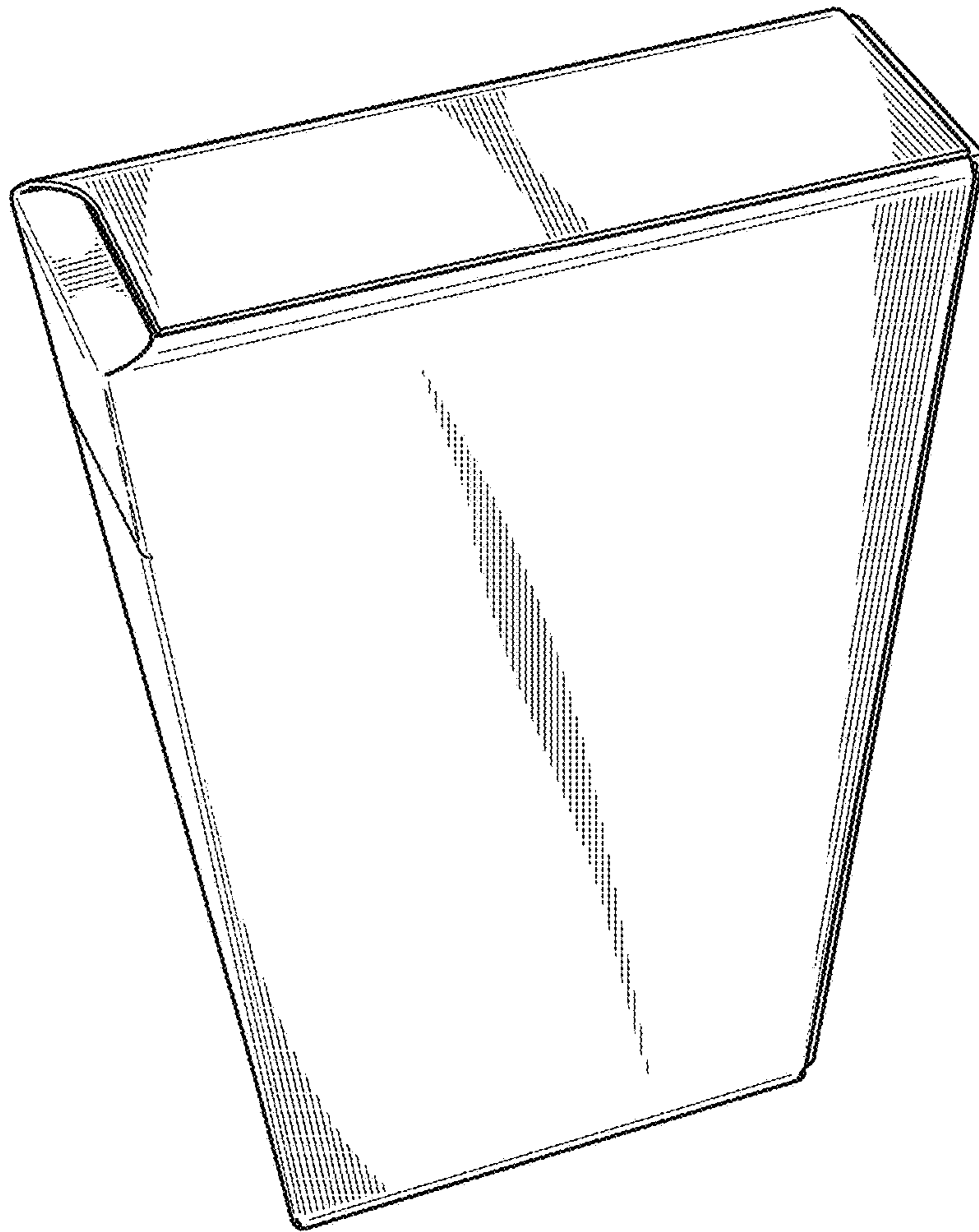


FIG. 1

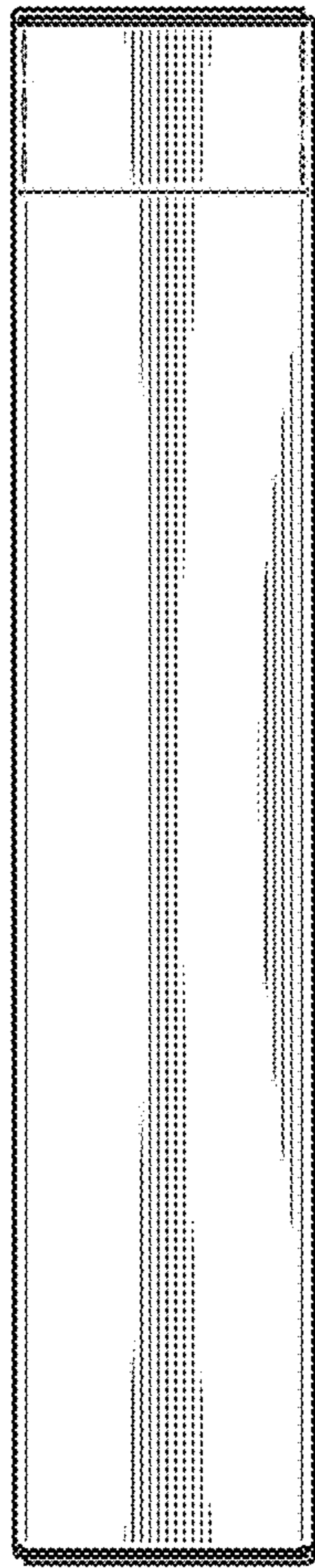


FIG. 2

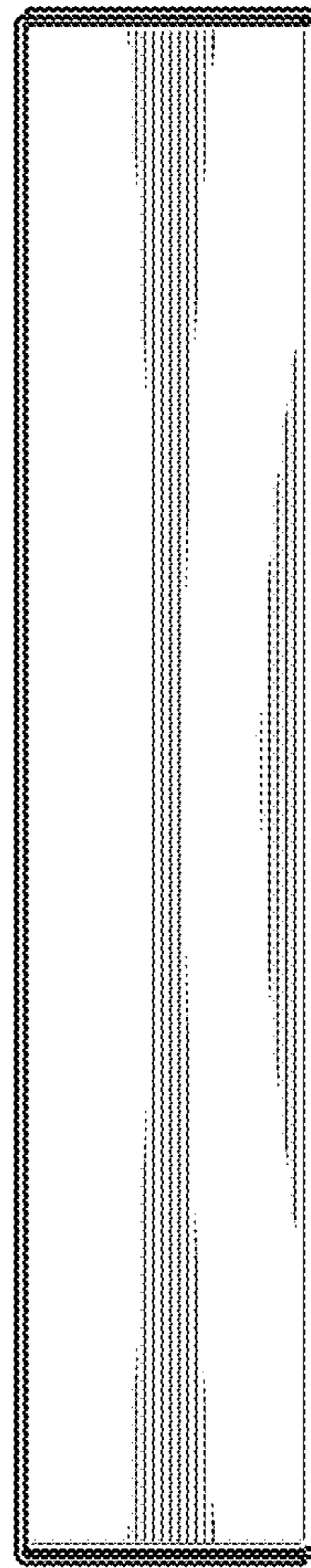


FIG. 3

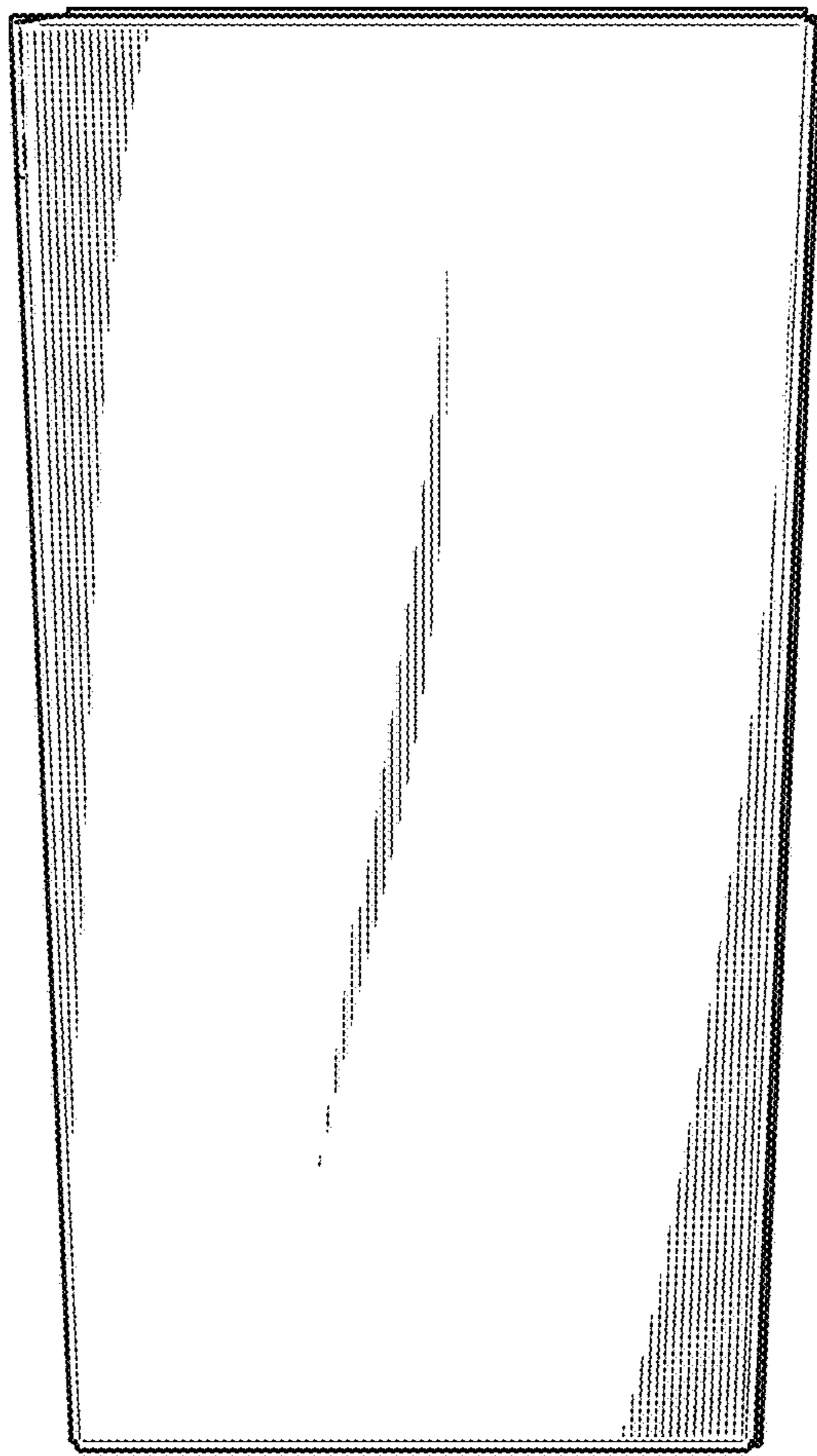


FIG. 4

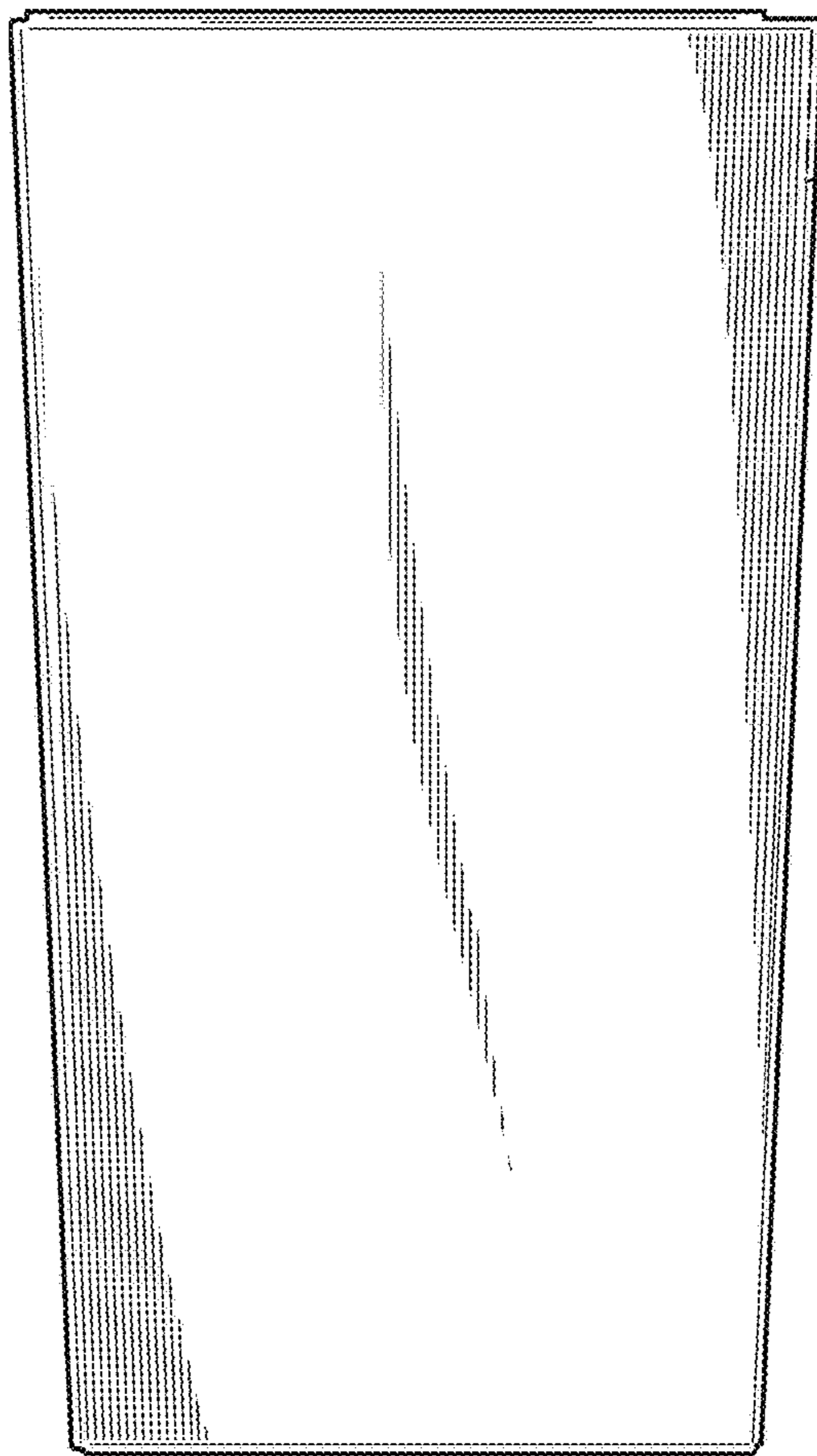


FIG. 5

5/10

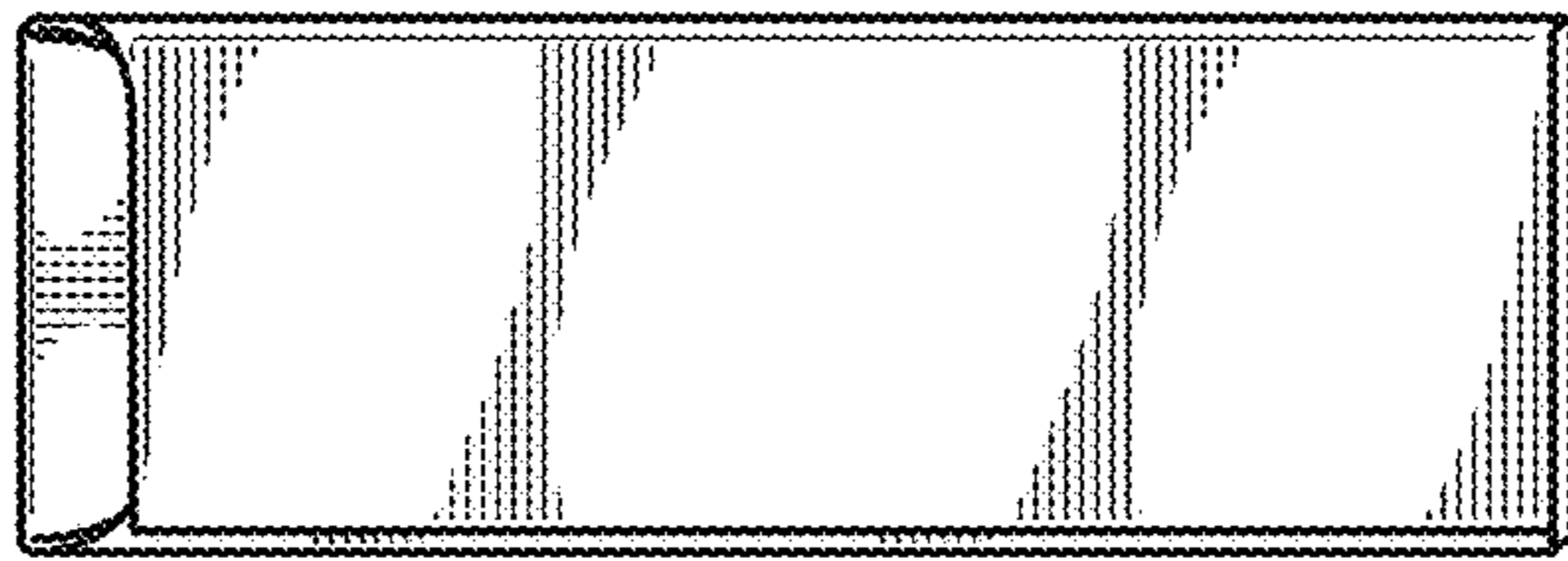


FIG. 6

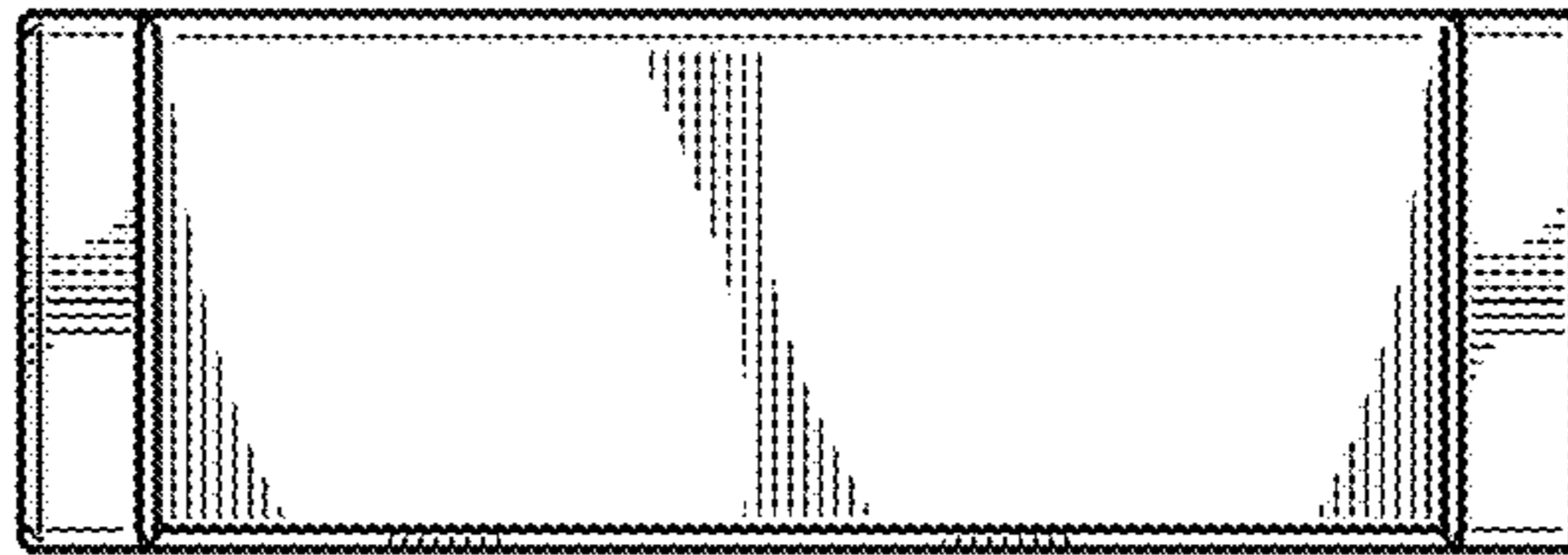


FIG. 7

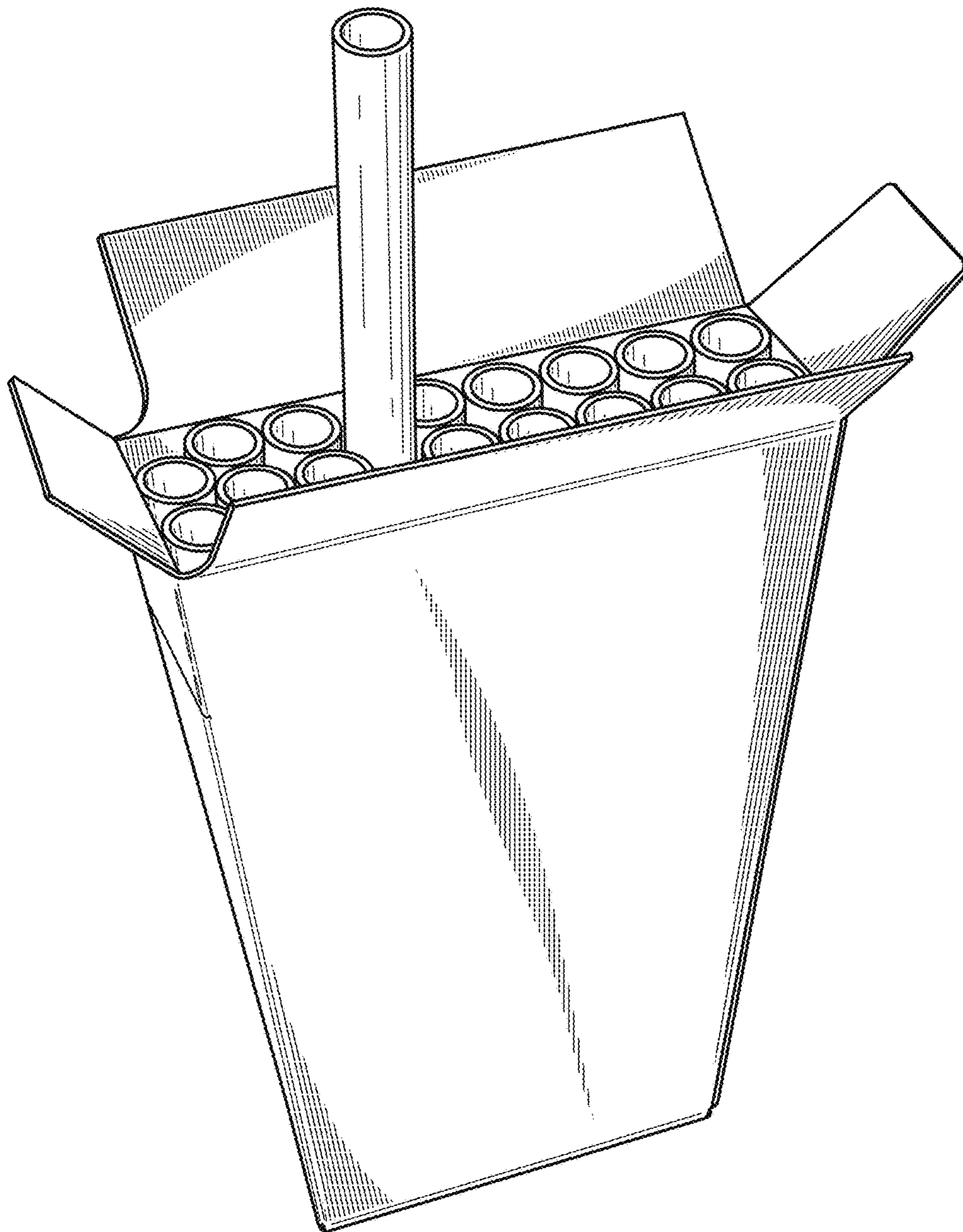


FIG. 8

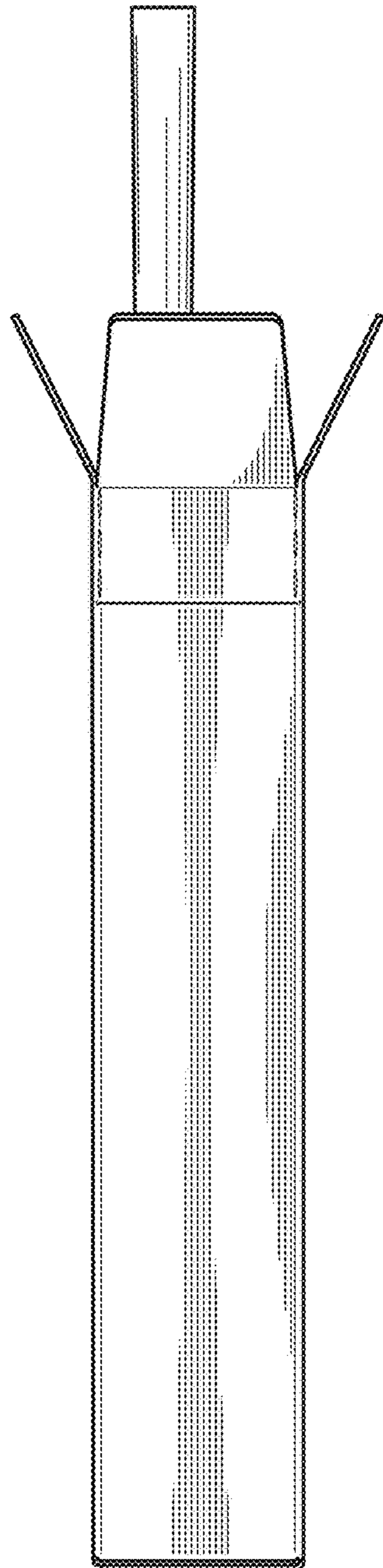


FIG. 9

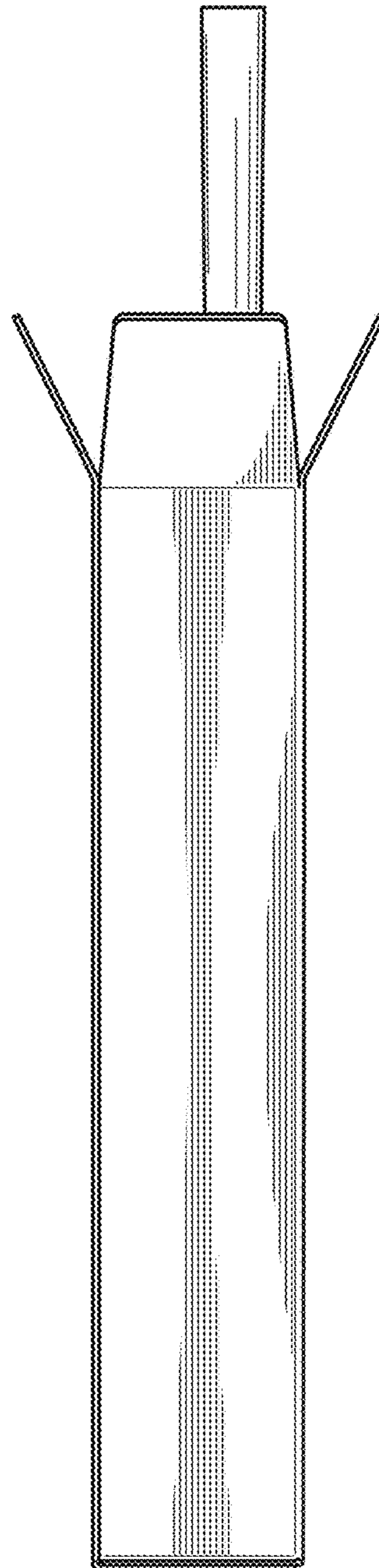


FIG. 10

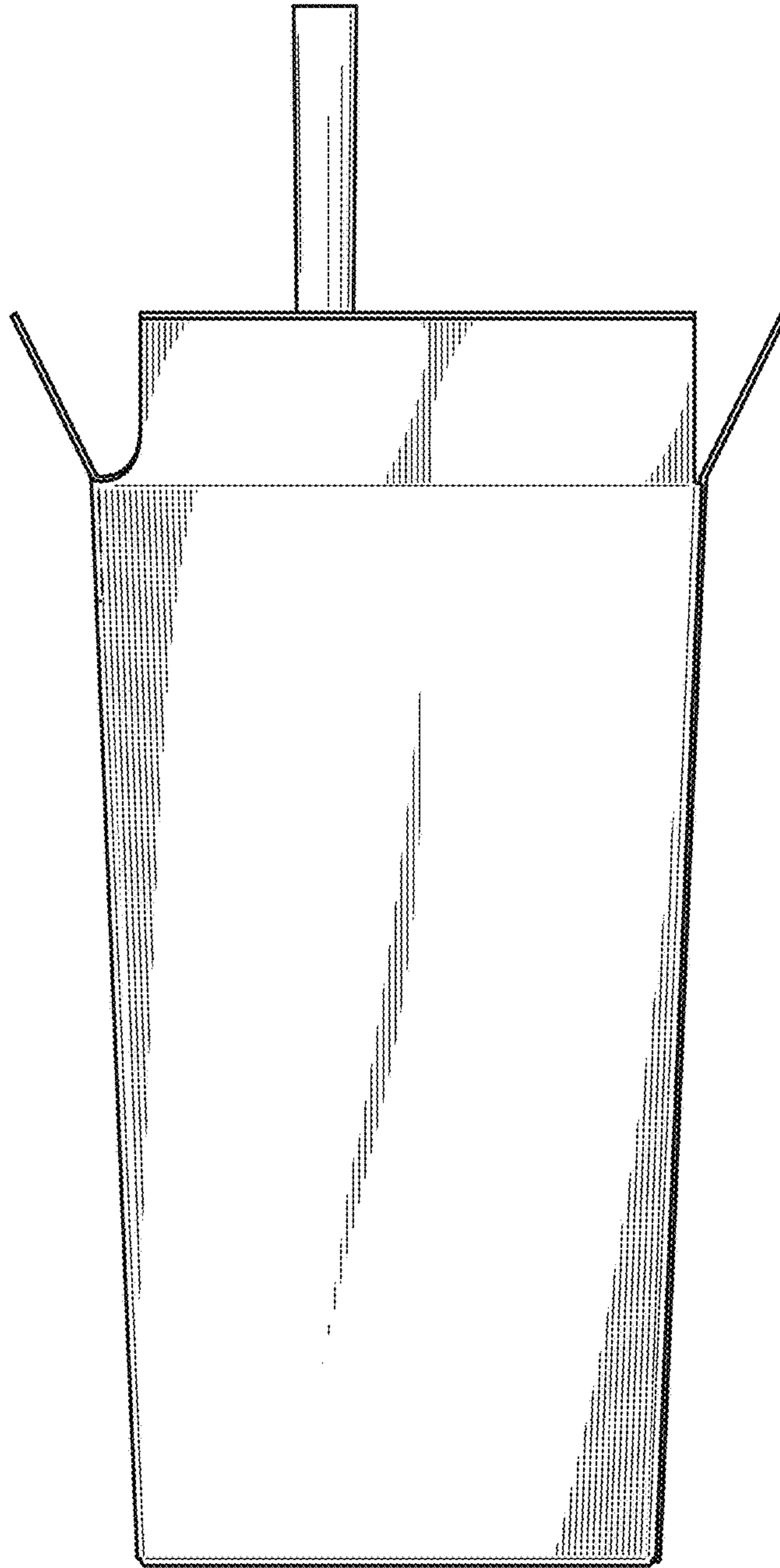


FIG. 11

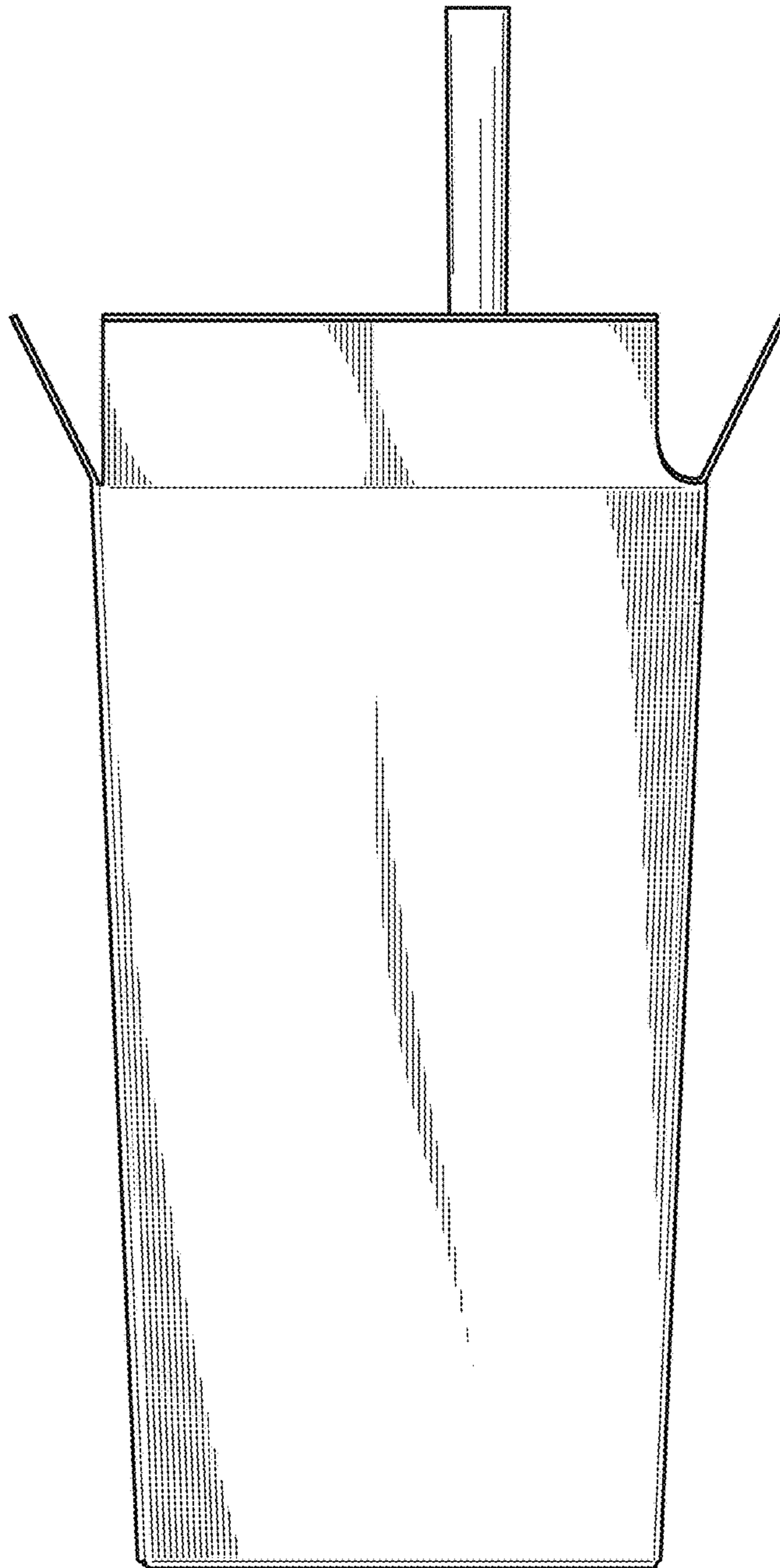


FIG. 12

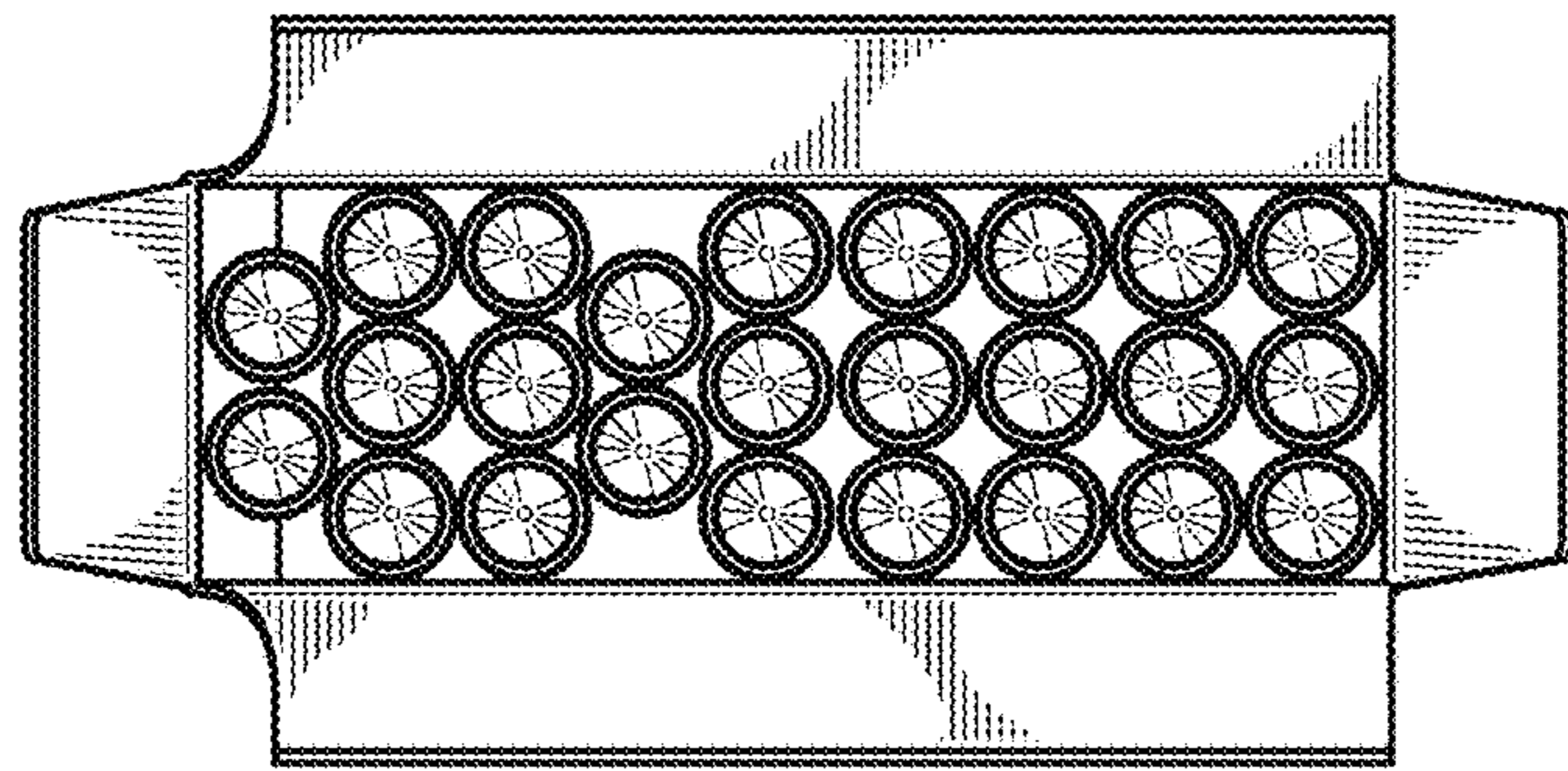


FIG. 13

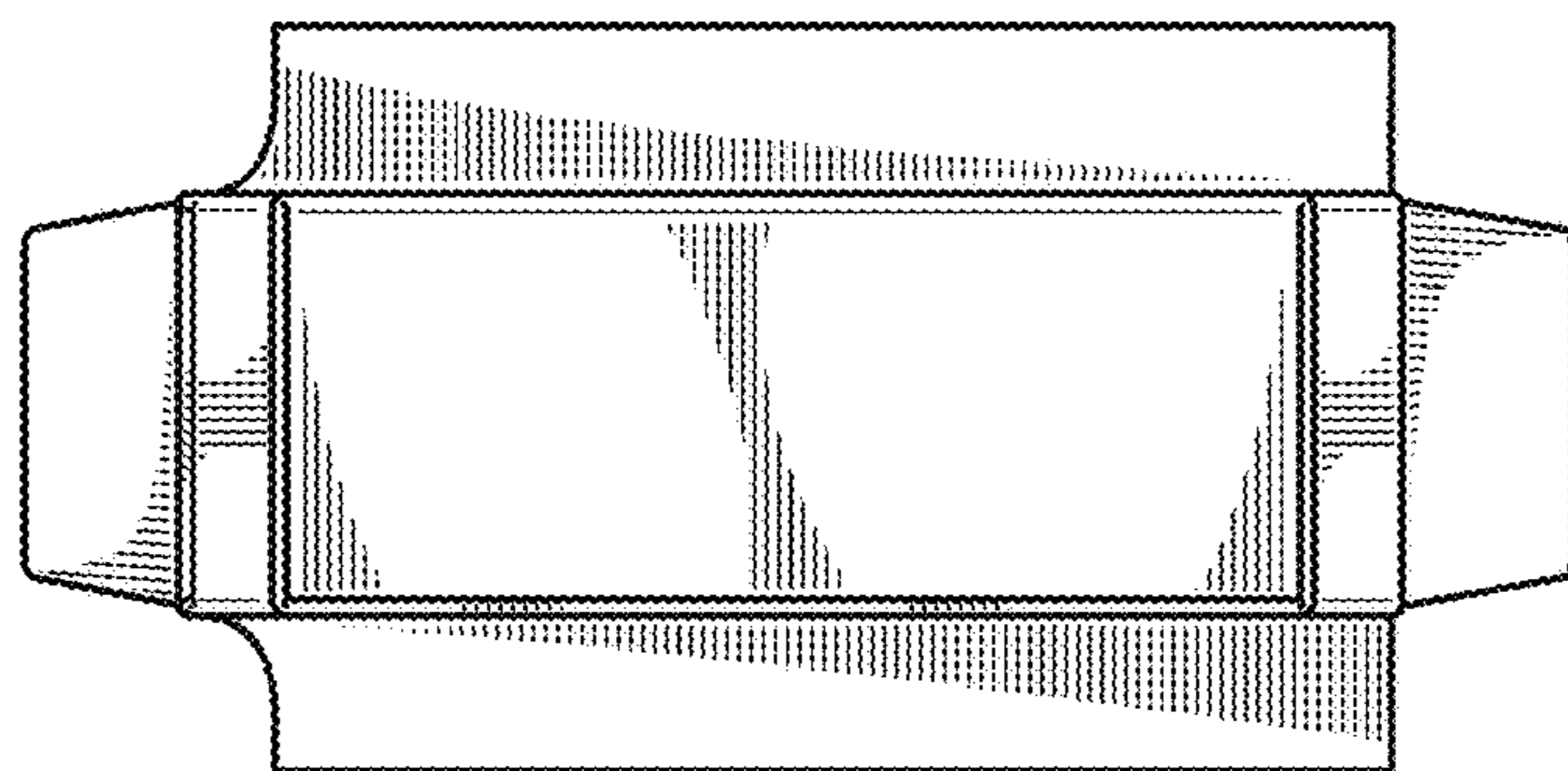


FIG. 14