



US00D848271S

(12) **United States Design Patent** (10) **Patent No.:** **US D848,271 S**
Galvin et al. (45) **Date of Patent:** **** May 14, 2019**

(54) **BOTTLE**
(71) Applicant: **PepsiCo, Inc.**, Purchase, NY (US)
(72) Inventors: **Ian Galvin**, Chicago, IL (US);
Raymundo Martinez, Berwyn, IL (US); **Katie Ozamiz**, Seattle, WA (US);
Wade Fournier, Chicago, IL (US)
(73) Assignee: **PepsiCo, Inc.**, Purchase, NY (US)

D51,893 S 3/1918 Temple
D56,983 S 1/1921 Lewis
D74,502 S 12/1926 Ginter
D84,239 S 5/1931 Furest
D86,280 S 2/1932 Smith
D86,816 S 4/1932 Von Till
D90,649 S 7/1933 Fleisch
D93,630 S 8/1933 Merolle
D97,465 S 3/1935 Conner
(Continued)

(**) Term: **15 Years**
(21) Appl. No.: **29/627,107**
(22) Filed: **Nov. 22, 2017**

FOREIGN PATENT DOCUMENTS

CA 106315 3/2006
GB 4000790 12/2006
(Continued)

OTHER PUBLICATIONS

Aveeno. Online, published date unknown. Retrieved on Aug. 31, 2017 from URL: <http://www.ulta.com/daily-moisturizing-lotion?productId=xlslmpprod3190091>.

Primary Examiner — Karen S Acker
Assistant Examiner — Omeed Agilee
(74) *Attorney, Agent, or Firm* — Sterne, Kessler, Goldstein & Fox P.L.L.C.

Related U.S. Application Data

(63) Continuation of application No. 29/582,183, filed on Oct. 25, 2016, now Pat. No. Des. 804,315.

(51) **LOC (11) Cl.** **09-01**
(52) **U.S. Cl.**
USPC **D9/542**

(58) **Field of Classification Search**
USPC D9/434-435, 439, 447, 449, 450, 452, D9/454, 516, 520, 522-524, 528-531, D9/541-544, 549-551, 558-560, 563, D9/565-566, 571-575, 682, 686, 687, D9/693-694, 715, 719; D7/300, 300.1, D7/316, 317, 598; D23/211, 225
CPC ... B65D 1/00; B65D 1/02; B65D 1/12; B65D 1/18; B65D 1/20; B65D 1/0223; B65D 23/00; B65D 21/0237; B65D 2501/0009; B65D 2501/0081

See application file for complete search history.

(57) **CLAIM**
The ornamental design for a bottle, as shown and described.

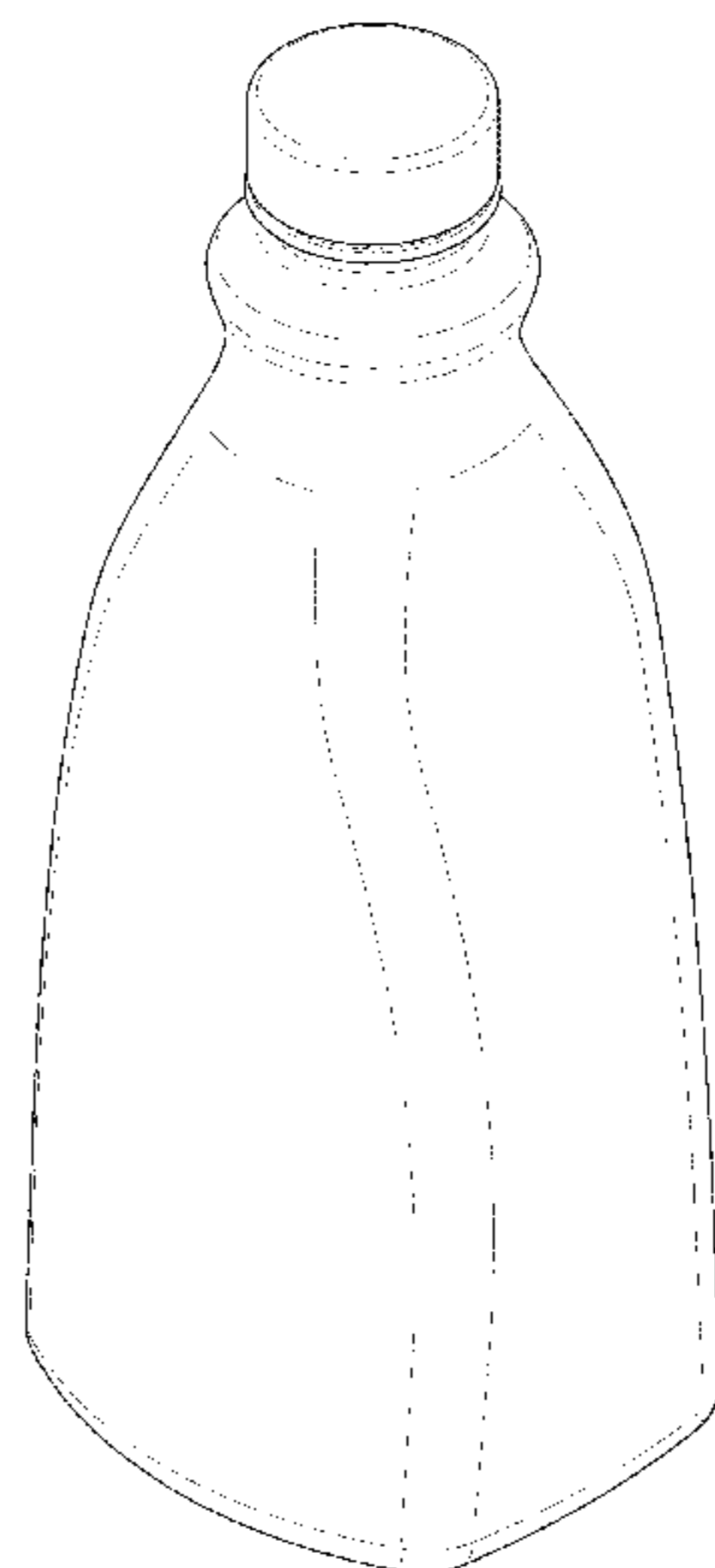
DESCRIPTION

FIG. 1 is a top front perspective view of a bottle showing the claimed design;
FIG. 2 is a bottom rear perspective view thereof;
FIG. 3 is a front view thereof;
FIG. 4 is a rear view thereof;
FIG. 5 is a left side view thereof;
FIG. 6 is a right side view thereof;
FIG. 7 is a top view thereof; and,
FIG. 8 is a bottom view thereof.

(56) **References Cited**
U.S. PATENT DOCUMENTS

D19,798 S 4/1890 Wardle
D29,673 S 11/1898 Nightingale

1 Claim, 7 Drawing Sheets



(56)

References Cited

U.S. PATENT DOCUMENTS

D103,774 S	3/1937	Funkey	D458,146 S	6/2002	Sadeghi et al.
D103,987 S	4/1937	Ennever	D458,147 S	6/2002	Sadeghi et al.
D109,518 S	1/1938	Meier	D458,148 S	6/2002	Sadeghi et al.
D111,962 S	11/1938	Frank	D460,695 S	7/2002	Sadeghi et al.
D113,133 S	1/1939	De Nero	D463,281 S	9/2002	Oruitt
D115,430 S	6/1939	Street	D463,287 S	9/2002	Moore et al.
D119,303 S	3/1940	Deletzke	D465,730 S	11/2002	Oruitt
D136,438 S	3/1943	Tatro	D468,213 S	1/2003	Moore et al.
D144,500 S	4/1946	Frederics	D477,066 S	7/2003	Lonczak et al.
D149,617 S	5/1948	Conman	D480,315 S	10/2003	Sadeghi et al.
D155,868 S	11/1949	Braun	D480,644 S	10/2003	Oruitt
D178,808 S	9/1956	Rosenak	D483,675 S	12/2003	Lindsay et al.
D192,942 S	5/1962	DuPree	D488,060 S	4/2004	Yourist
3,323,668 A	6/1967	Hills	D489,991 S	5/2004	Deubel et al.
D208,332 S	8/1967	Marona	D491,068 S	6/2004	Heliste et al.
D212,672 S	1/1968	Weckman	D491,069 S *	6/2004	Heliste D9/560
D212,357 S	10/1968	Rohde	D492,201 S	6/2004	Pritchett et al.
D212,463 S	10/1968	Vanderhyde	6,783,014 B2	8/2004	Luker
3,403,804 A	10/1968	Colombo	D496,282 S	9/2004	Heliste et al.
D213,038 S	12/1968	Pettengill	D500,677 S	1/2005	Druitt
D213,767 S	4/1969	Fuerst	D509,740 S	9/2005	Collins et al.
D216,459 S	1/1970	Viitanen	D509,984 S	9/2005	Zboch et al.
D216,540 S	2/1970	Douglas	D510,026 S	9/2005	Nelson et al.
D217,803 S	6/1970	Douglas	D510,523 S	10/2005	Pitman et al.
D232,079 S	7/1974	Luedtke	6,997,336 B2	2/2006	Yourist et al.
D233,828 S	12/1974	Leary	7,017,763 B2	3/2006	Kelley
D236,587 S	9/1975	Kretz	D525,141 S	6/2006	Beard et al.
D261,104 S	10/1981	Cohen Skalli	D525,529 S	7/2006	Oguchi et al.
D263,562 S	3/1982	Cincala	D526,209 S	8/2006	Beard et al.
D265,058 S	6/1982	Ewry	D526,210 S	8/2006	Beard et al.
D265,550 S	7/1982	Young et al.	D526,905 S	8/2006	Beard et al.
D286,021 S	10/1986	O'Reilly	7,097,061 B2	8/2006	Simpson et al.
D287,933 S	1/1987	Mills et al.	D530,217 S	10/2006	Krause
D292,380 S	10/1987	Smith	D531,042 S	10/2006	Venkatamman et al.
D308,483 S	6/1990	Weckman	D533,408 S	12/2006	Jackson et al.
4,993,565 A	2/1991	Ota et al.	D533,786 S	12/2006	Ogg et al.
D315,293 S	3/1991	Moglia	D534,808 S	1/2007	Haubert, III et al.
5,037,684 A	8/1991	Dundas et al.	D535,189 S	1/2007	Pitman et al.
D322,213 S	12/1991	Maginnis	D536,257 S	2/2007	Weber
D325,347 S	4/1992	Doering	D538,464 S	3/2007	Chen
5,123,554 A	6/1992	Arvidson et al.	D539,158 S	3/2007	Miller et al.
D328,245 S	7/1992	Noble	D539,159 S	3/2007	Slat et al.
D329,868 S	9/1992	Sakaguchi et al.	D542,656 S	5/2007	Szczesniak
D333,425 S	2/1993	Boussiquet	D542,669 S	5/2007	Arthur et al.
5,261,544 A	11/1993	Weaver, Jr.	D544,364 S	6/2007	Archeny et al.
D343,793 S	2/1994	Crawford	D547,198 S	7/2007	Eaton et al.
D346,548 S	5/1994	Maddox	D547,665 S	7/2007	Lepoitevin
D352,461 S	11/1994	Flanagan et al.	D547,670 S	7/2007	Heisner
D352,891 S	11/1994	Lalique	D548,092 S	8/2007	Klemm
5,370,250 A	12/1994	Gilbert	D555,500 S	11/2007	Johnston et al.
D356,506 S	3/1995	Kornick et al.	D560,508 S	1/2008	Lepoitevin
D356,871 S	3/1995	Dunn	D561,040 S	2/2008	Sequeira
D362,799 S	10/1995	Noble	D562,146 S	2/2008	Zboch et al.
D365,752 S	1/1996	Flanagan-Boos et al.	D565,422 S	4/2008	Cowan-Hughes et al.
D375,900 S	11/1996	DeVore	D566,570 S	4/2008	Pence et al.
D384,890 S	10/1997	Goldman	D567,098 S	4/2008	Sequeira
D387,670 S	12/1997	Larkin	D568,747 S	5/2008	Sequeira
D415,964 S	2/1999	Manderfield, Jr. et al.	D568,754 S	5/2008	Sequeira
D411,740 S	6/1999	Kim	D569,261 S	5/2008	Sequeira
5,908,127 A	6/1999	Weick et al.	D573,031 S	7/2008	Hestehave
D413,265 S	8/1999	Hestehave et al.	D573,481 S	7/2008	Chewning et al.
D413,511 S	9/1999	Guthrie et al.	D577,593 S	9/2008	Hestehave
D420,588 S	2/2000	Fitelson et al.	D578,007 S	10/2008	Hestehave
D422,493 S	4/2000	Clarke	D578,399 S	10/2008	Hestehave
D425,793 S	5/2000	Walker	D578,889 S	10/2008	Sadiq
D427,513 S	6/2000	Boisset	D579,338 S	10/2008	Hestehave
D437,226 S	2/2001	Sadeghi et al.	D579,778 S	11/2008	De Gopegui et al.
D442,089 S	5/2001	Sadeghi et al.	D582,784 S *	12/2008	Boiros D9/560
D443,513 S	6/2001	Goettner	D583,236 S	12/2008	Fuchs
D447,698 S	9/2001	Kaufman	D584,635 S	1/2009	Montgomery
D449,539 S	10/2001	Lakatosh et al.	D588,463 S	3/2009	Forget
D452,650 S	1/2002	Moore et al.	D591,157 S	4/2009	Bourne
D456,272 S	4/2002	Sadeghi et al.	D594,331 S	6/2009	Herb et al.
D457,437 S	5/2002	Sadeghi et al.	D594,748 S	6/2009	Herb et al.
D458,145 S	6/2002	Sadeghi et al.	D596,488 S	7/2009	Chupak
			D596,942 S	7/2009	Britto
			D597,847 S	8/2009	Floyd et al.
			D606,401 S	12/2009	Kamath et al.
			D608,201 S	1/2010	Fluch

(56)

References Cited

U.S. PATENT DOCUMENTS

D610,017 S 2/2010 Howell
 D610,913 S 3/2010 Lesueur
 D611,356 S 3/2010 Kaminski et al.
 D612,247 S 3/2010 Lembke et al.
 D612,256 S 3/2010 Wurster et al.
 D612,257 S 3/2010 Wurster et al.
 D613,162 S 4/2010 Oruitt
 D613,175 S 4/2010 Oelbon
 D616,745 S 6/2010 Stull et al.
 D616,746 S 6/2010 Stull et al.
 D616,747 S 6/2010 Stull et al.
 D617,191 S 6/2010 Sutll et al.
 D617,195 S * 6/2010 Williams D9/500
 D617,203 S 6/2010 Yourist
 D619,014 S 7/2010 Jensen et al.
 D619,468 S 7/2010 Lembke et al.
 D623,070 S 9/2010 Jamison et al.
 D623,528 S 9/2010 Brandt
 D623,530 S 9/2010 Ungrady
 D623,531 S 9/2010 Ungmdy et al.
 D624,422 S 9/2010 Caldwell et al.
 D624,823 S 10/2010 Brown
 D629,305 S 12/2010 Arnell et al.
 D631,349 S 1/2011 Arnell et al.
 D640,927 S 7/2011 Scum et al.
 D643,291 S 8/2011 Haskins
 D655,198 S 3/2012 Finlay et al.
 D656,835 S 4/2012 Geeraert et al.
 D657,258 S 4/2012 Geeraert et al.
 D659,006 S * 5/2012 Wiescinski D9/542

D666,915 S 9/2012 Wiescinski et al.
 D667,731 S 9/2012 Enciso et al.
 D668,959 S * 10/2012 Brown D9/541
 D671,416 S 11/2012 Nukuto et al.
 D702,131 S * 4/2014 Handy D9/691
 D719,458 S * 12/2014 Handy D9/574
 D721,968 S 2/2015 Hughes et al.
 D721,973 S 2/2015 Das et al.
 D736,637 S 8/2015 Castillo Higareda et al.
 D744,833 S * 12/2015 Cotton D9/500
 D758,874 S * 6/2016 Nguyen D9/520
 D759,495 S 6/2016 Hawry
 D782,911 S 4/2017 Dominick et al.
 D784,151 S 4/2017 Finlay et al.
 D791,607 S * 4/2017 Kuzma D9/560
 D791,607 S 7/2017 Hawry et al.
 D804,315 S * 12/2017 Galvin D9/542
 D820,095 S * 6/2018 Palm D9/542
 D826,061 S * 8/2018 Snell D9/500
 D830,827 S * 10/2018 Prater D9/500
 D831,492 S * 10/2018 Bram D9/545
 D832,109 S * 10/2018 Clelland D9/542
 D832,711 S * 11/2018 McGreevy D9/542
 2005/0006334 A1 1/2005 Luker
 2015/0034584 A1 * 2/2015 Renner B29C 49/08
 215/43

FOREIGN PATENT DOCUMENTS

GB 4005313 11/2007
 IN 256754-0001 9/2013

* cited by examiner

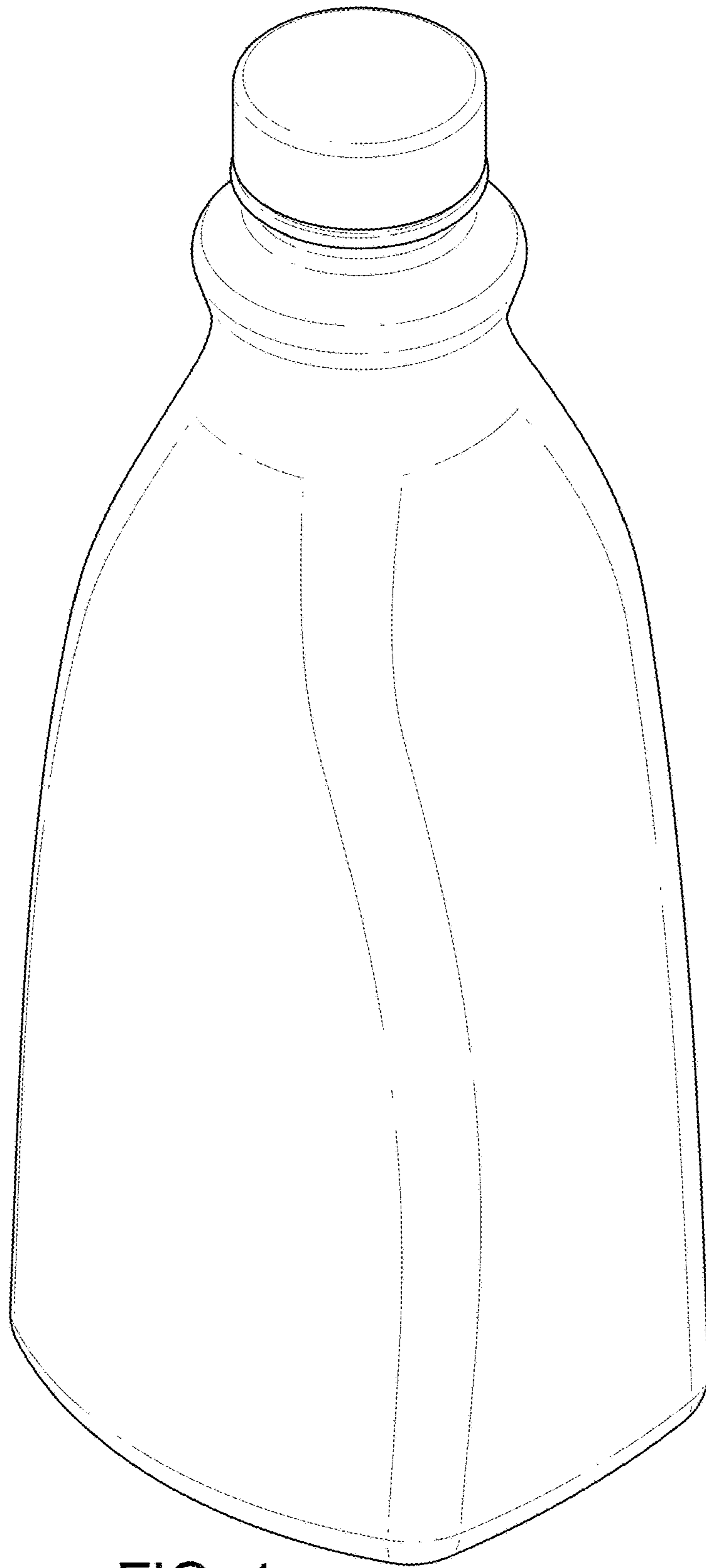


FIG. 1

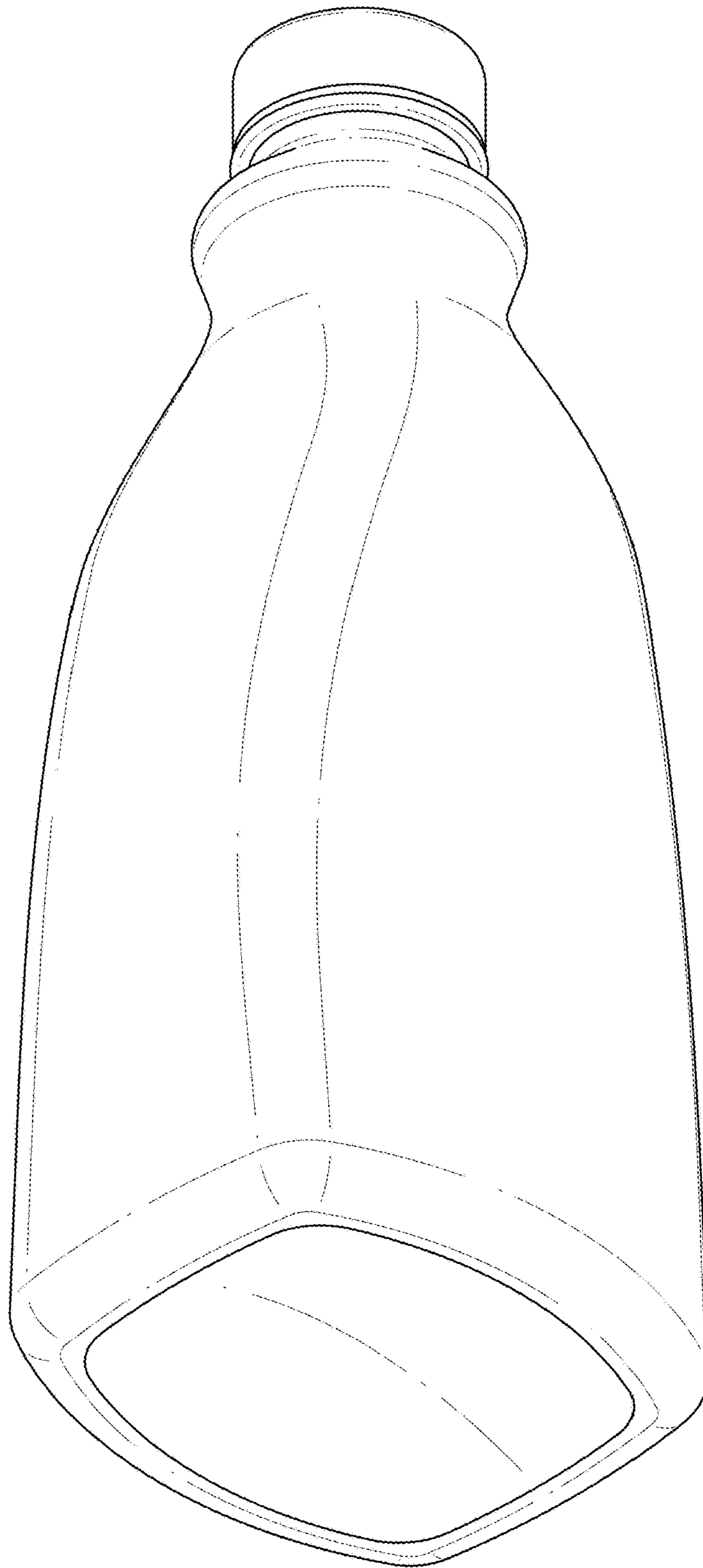


FIG. 2

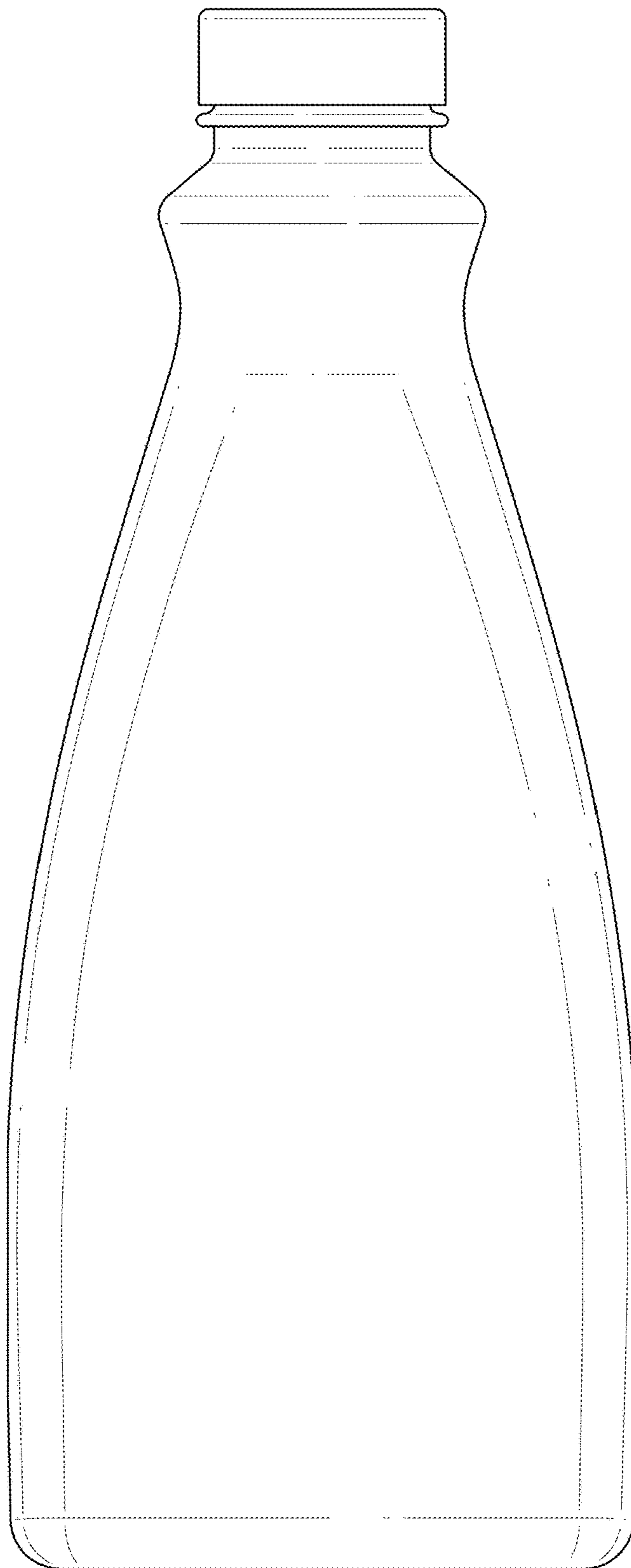


FIG. 3

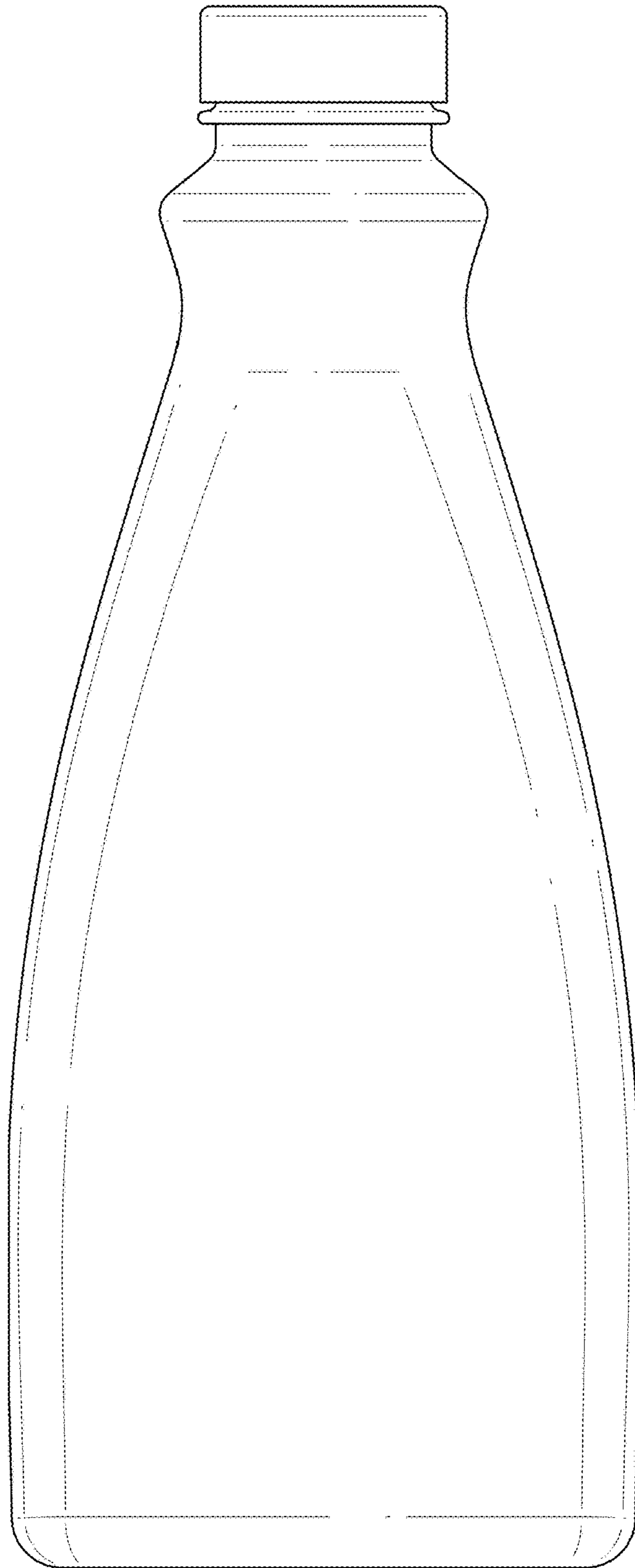


FIG. 4

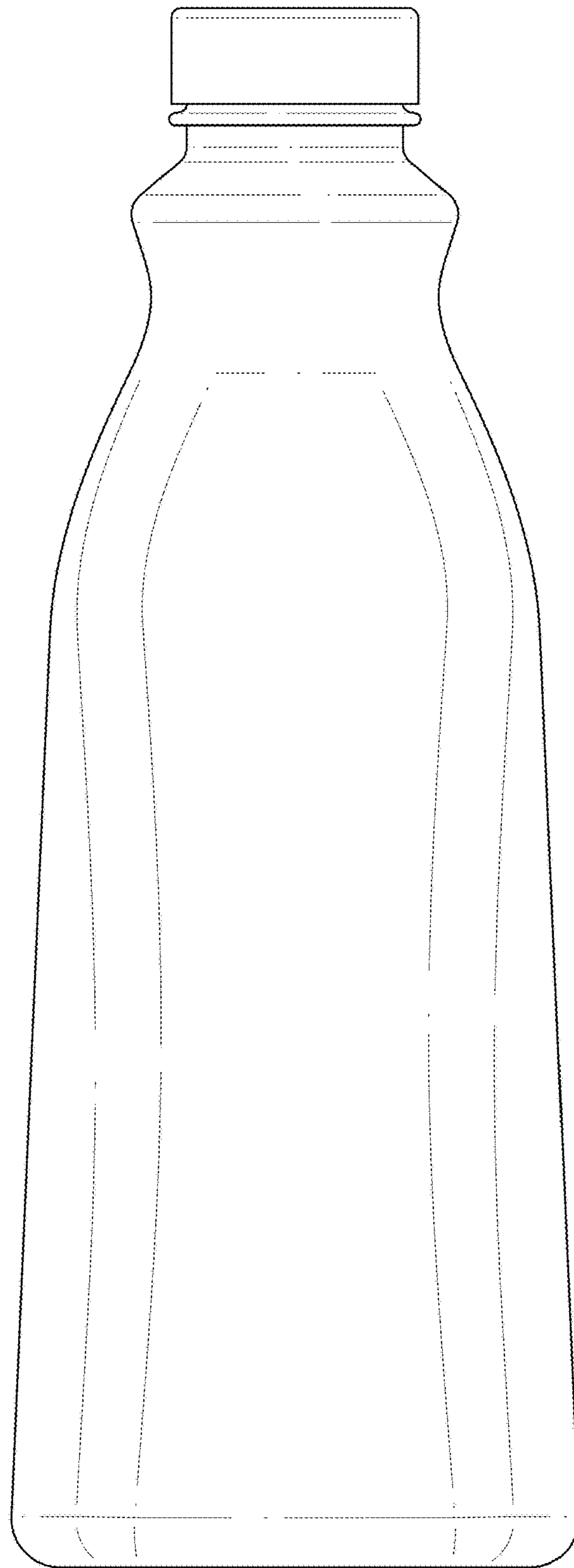


FIG. 5

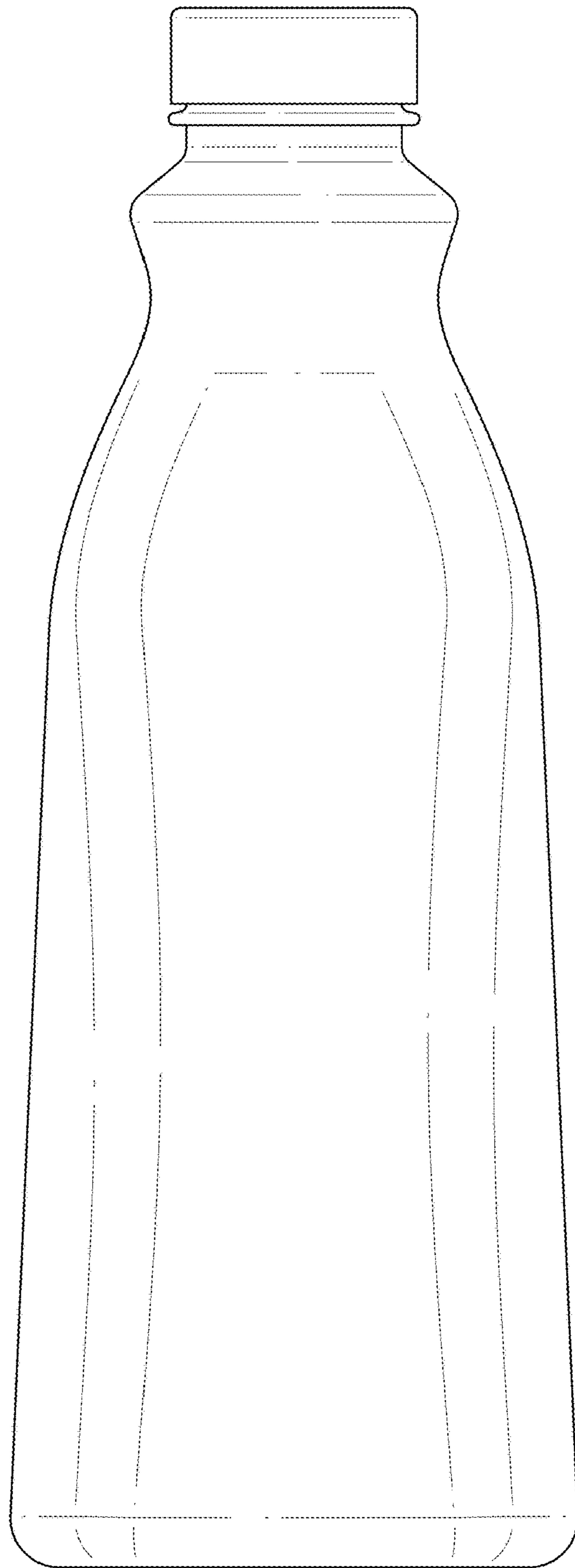


FIG. 6

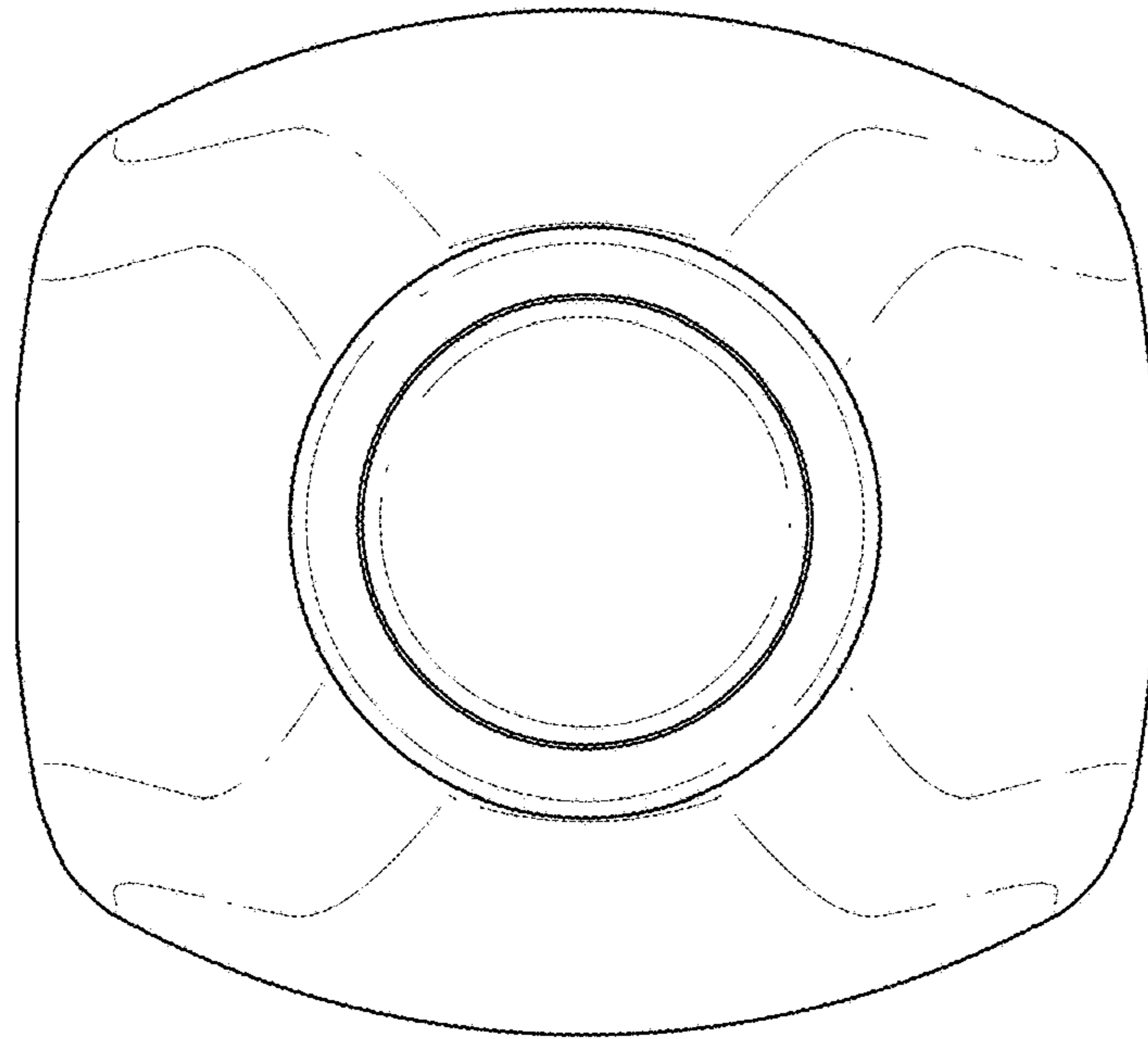


FIG. 7

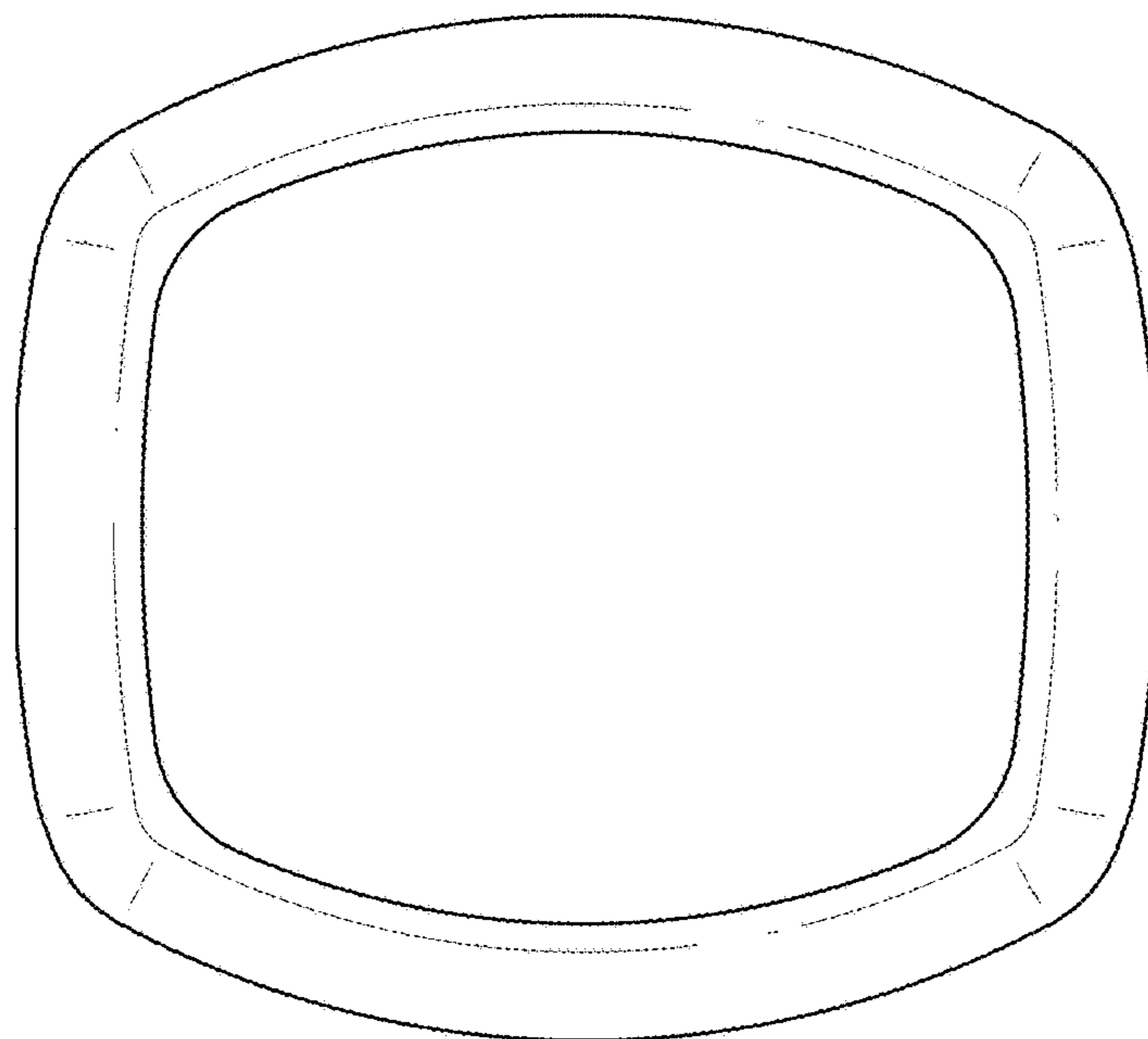


FIG. 8