



US00D848266S

(12) **United States Design Patent**
Yi et al.

(10) **Patent No.:** **US D848,266 S**

(45) **Date of Patent:** **** May 14, 2019**

(54) **CUSTOMIZABLE CONTAINER**

(71) Applicant: **EDIBLE IP, LLC**, Wallingford, CT (US)

(72) Inventors: **Kyle Yi**, Foshan (CN); **Maggie Cui**, Foshan (CN); **Joey Chan**, Brooklyn, NY (US); **Nick Mallory**, West New York, NJ (US)

(73) Assignee: **EDIBLE IP, LLC**, Wallingford, CT (US)

(**) Term: **15 Years**

(21) Appl. No.: **29/635,979**

(22) Filed: **Feb. 5, 2018**

(51) **LOC (11) Cl.** **09-01**

(52) **U.S. Cl.**
USPC **D9/500**; D9/428; D9/501; D9/715; D11/152

(58) **Field of Classification Search**

USPC D9/414, 418, 424–425, 428–429, 434, D9/455–456, 500, 503–504, 516, 549, D9/558; D7/629, 630; D11/152
CPC . B65D 1/00; B65D 1/26; B65D 1/265; B65D 17/00; B65D 17/02; B65D 17/50; B65D 17/501; B65D 81/00; B65D 2501/00
See application file for complete search history.

(56) **References Cited**

U.S. PATENT DOCUMENTS

2,828,789 A * 4/1958 Geisler B65D 43/0206 220/783
D206,358 S * 11/1966 Griese, Jr. D9/428

5,036,998 A * 8/1991 Dunn A47G 19/30 220/23.87
D412,232 S * 7/1999 Anderson D11/152
D652,266 S * 1/2012 Smyers D7/630
D669,814 S * 10/2012 Plucinski D11/152

* cited by examiner

Primary Examiner — Dana Meyrow

(74) *Attorney, Agent, or Firm* — Troutman Sanders, LLP; Christopher C. Close, Jr.

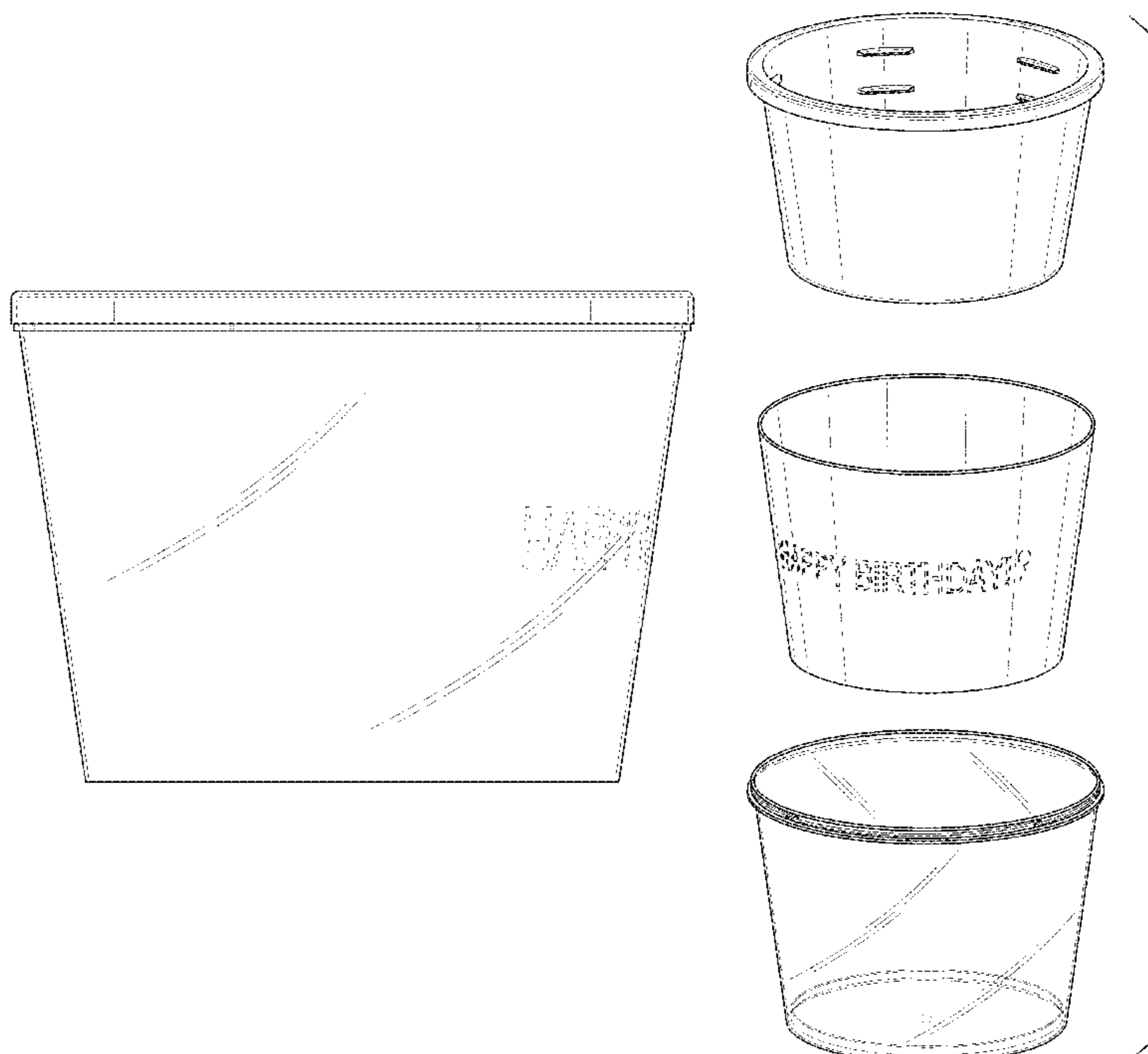
(57) **CLAIM**

We claim the ornamental design for a customizable container, as shown and described.

DESCRIPTION

FIG. 1 is a front and top perspective view of a customizable container in accordance with the present invention;
FIG. 2 is a front view thereof;
FIG. 3 is a back view thereof;
FIG. 4 is a left side view thereof;
FIG. 5 is a right side view thereof;
FIG. 6 is a top view thereof;
FIG. 7 is a bottom view thereof; and,
FIG. 8 is an exploded view thereof.
The broken lines in the drawings illustrate the portions of the customizable container that form no part of the claim.

1 Claim, 8 Drawing Sheets



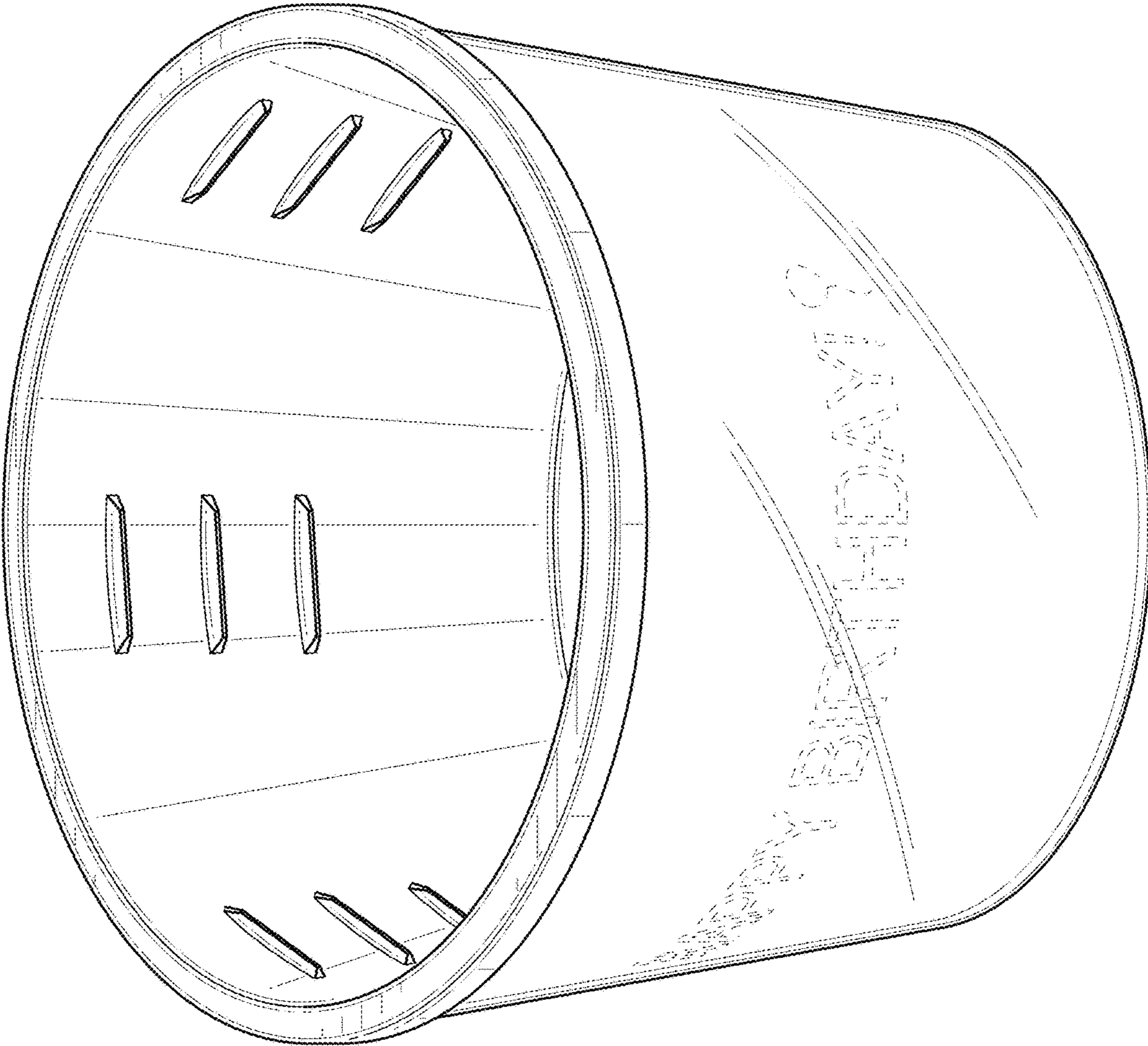


FIG. 1

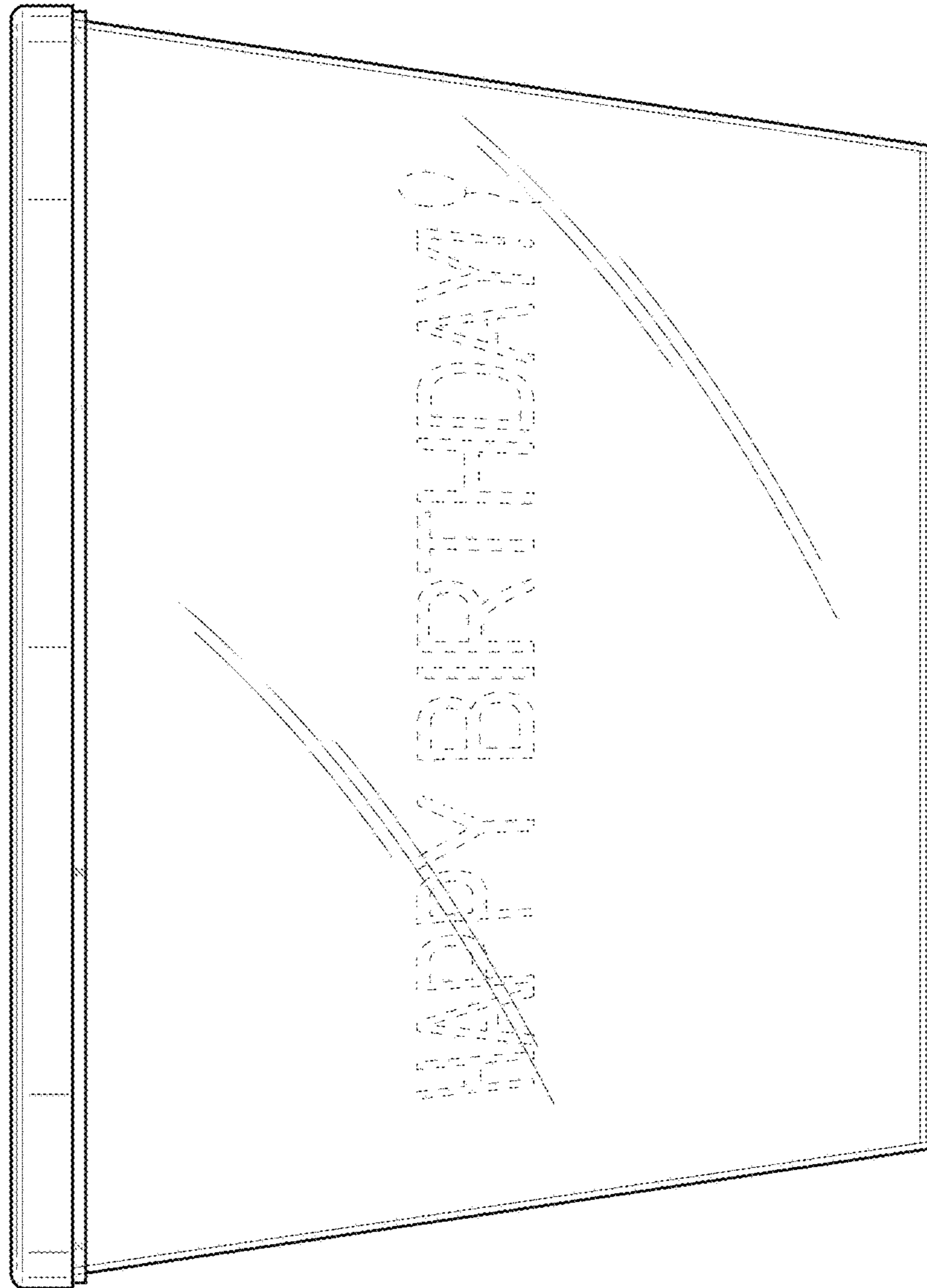


FIG. 2

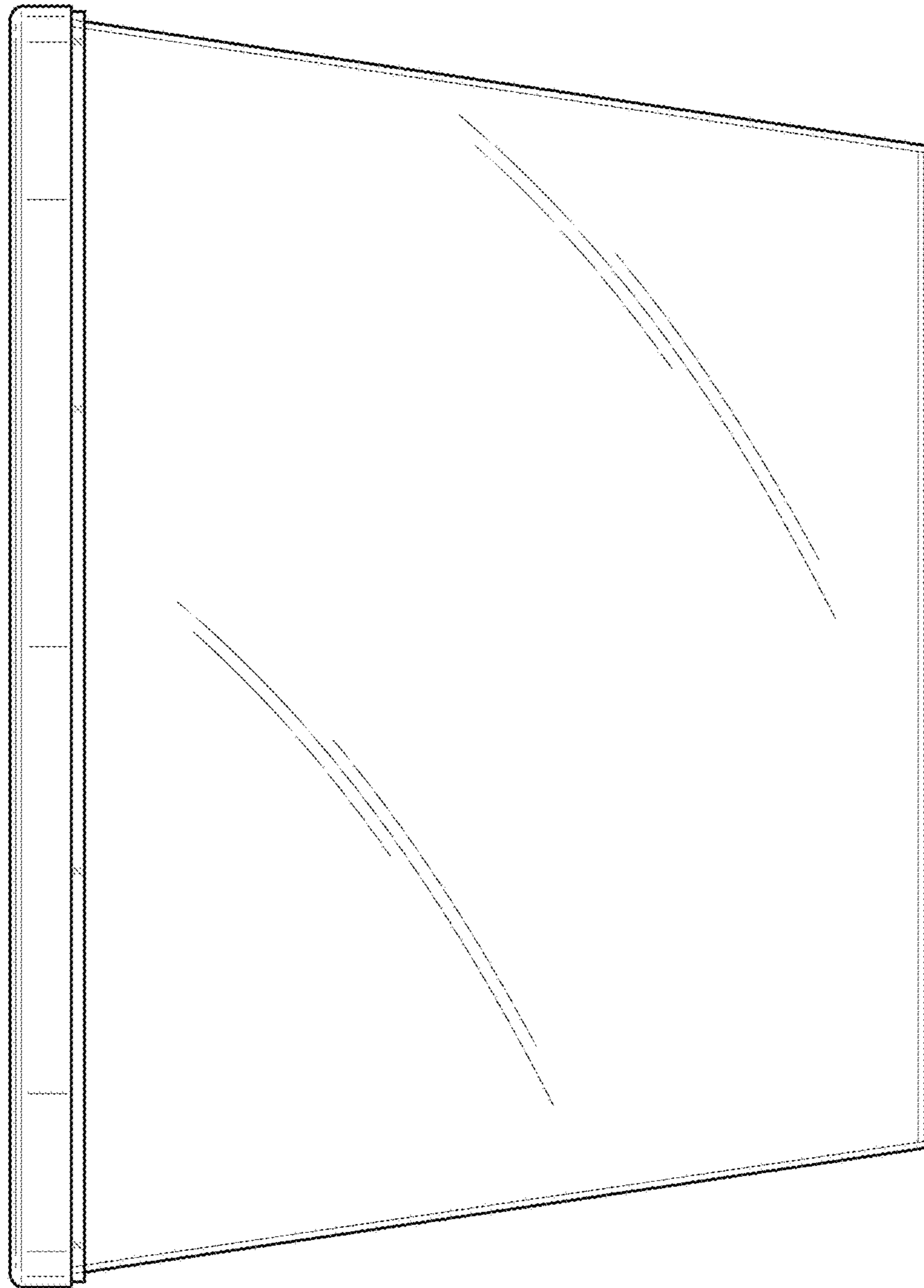


FIG. 3

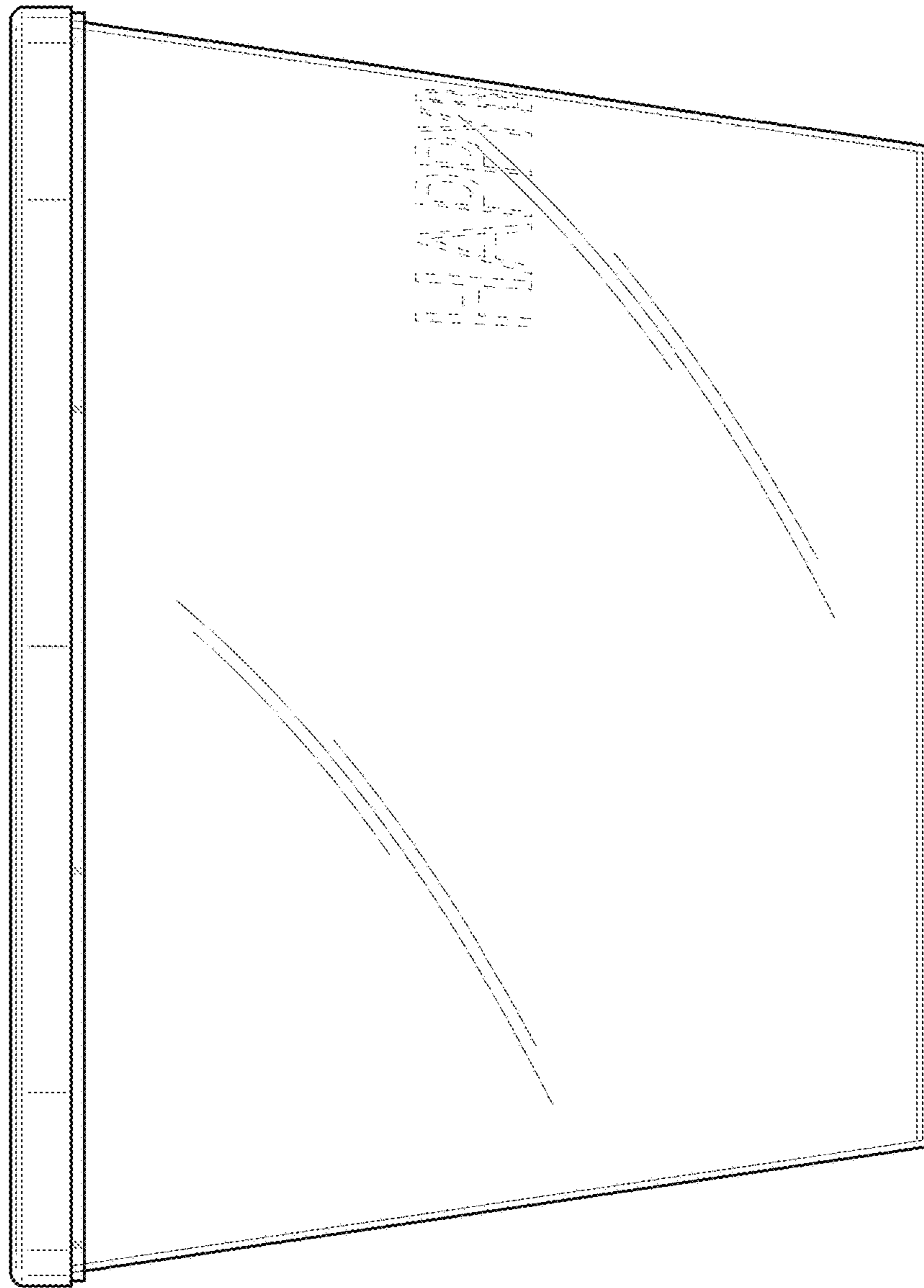


FIG. 4

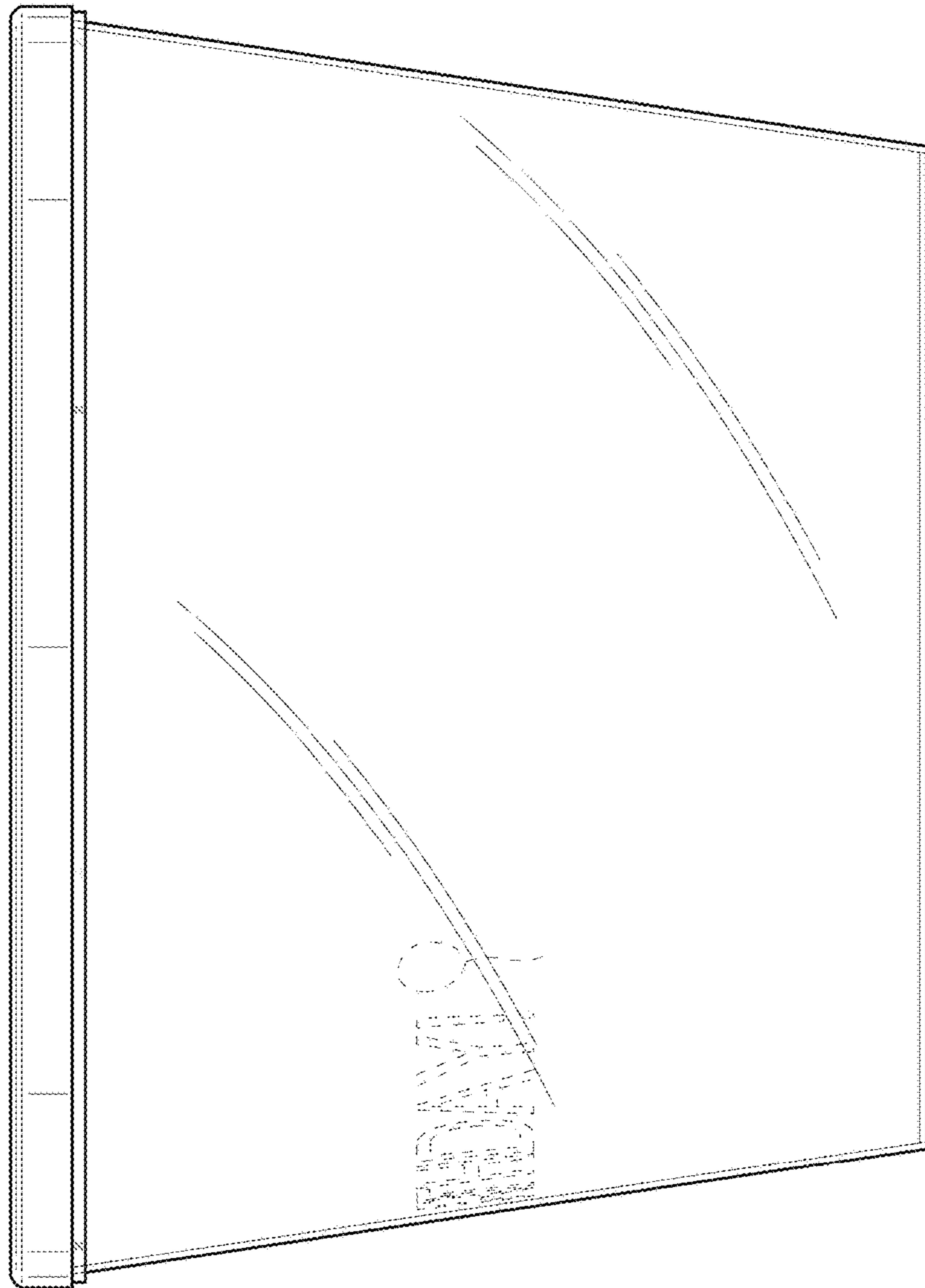


FIG. 5

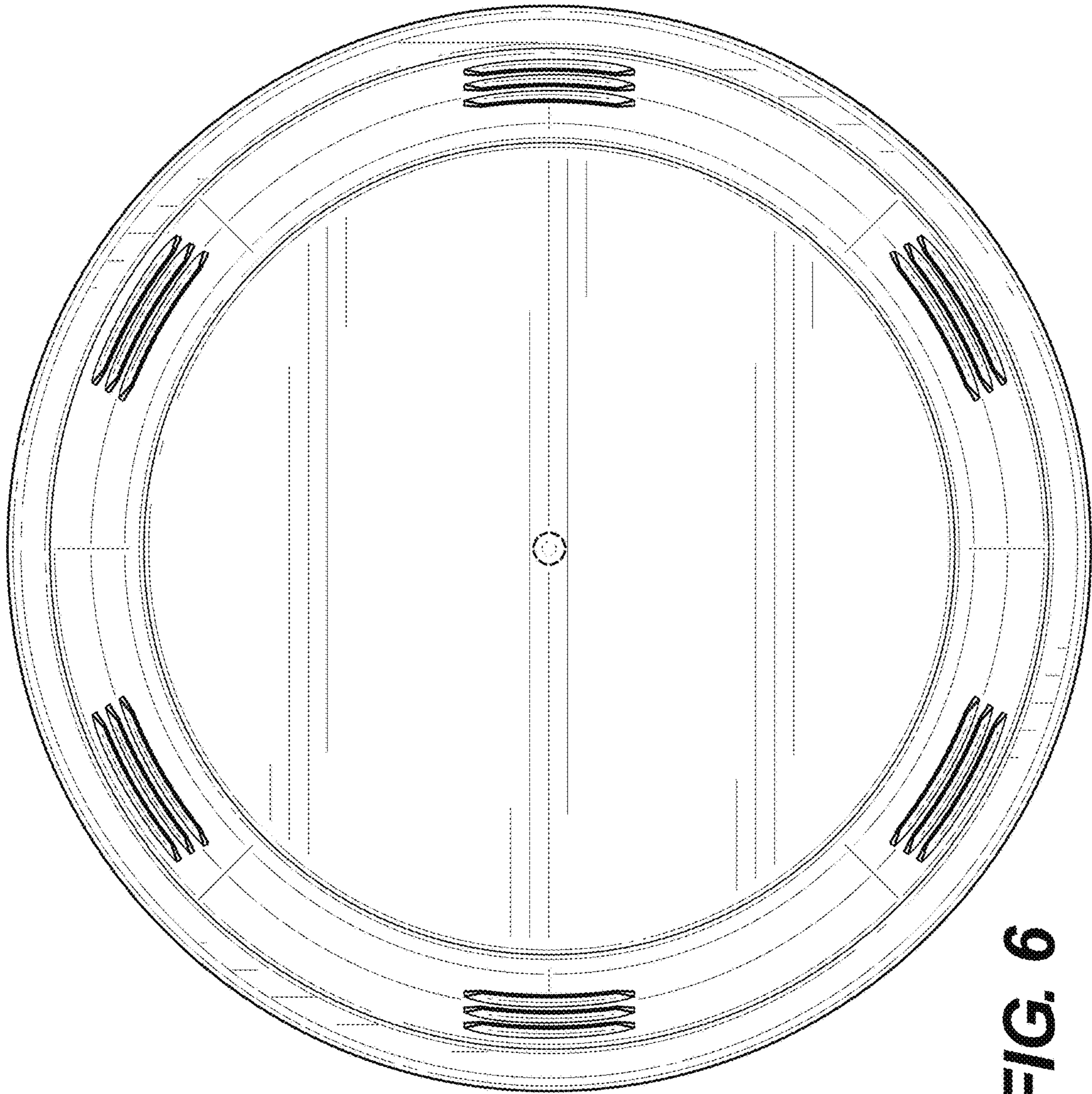


FIG. 6

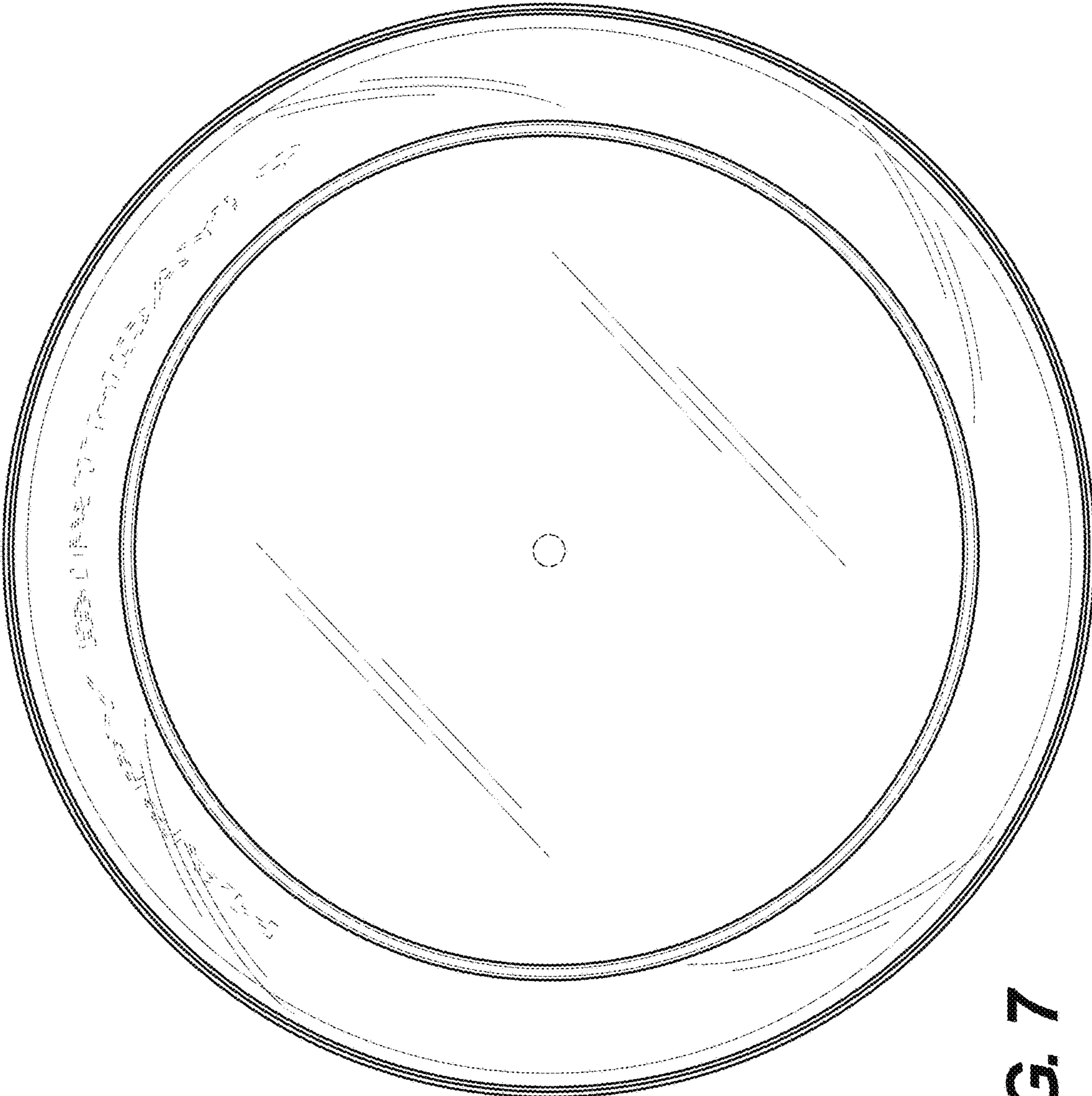


FIG. 7

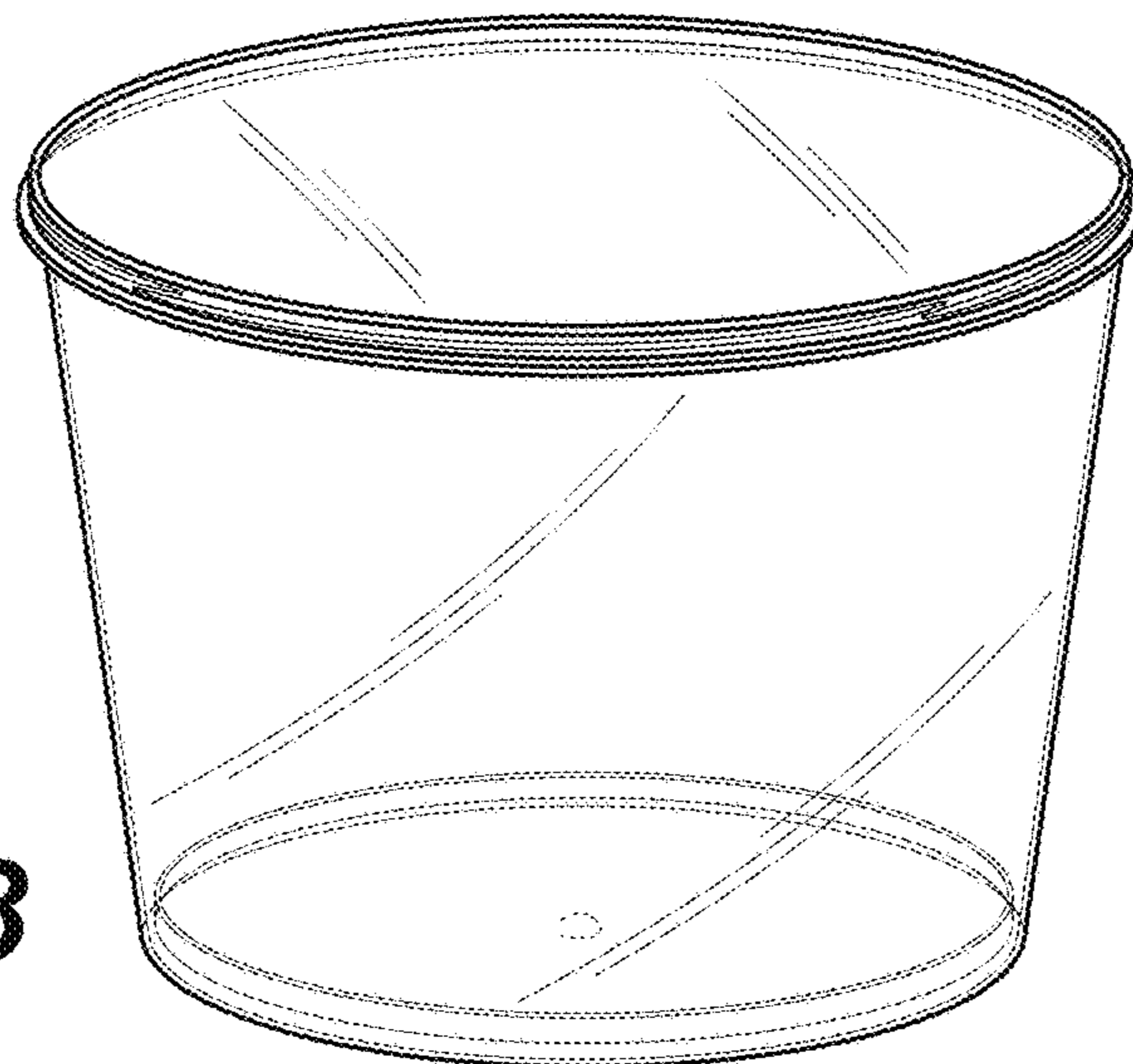
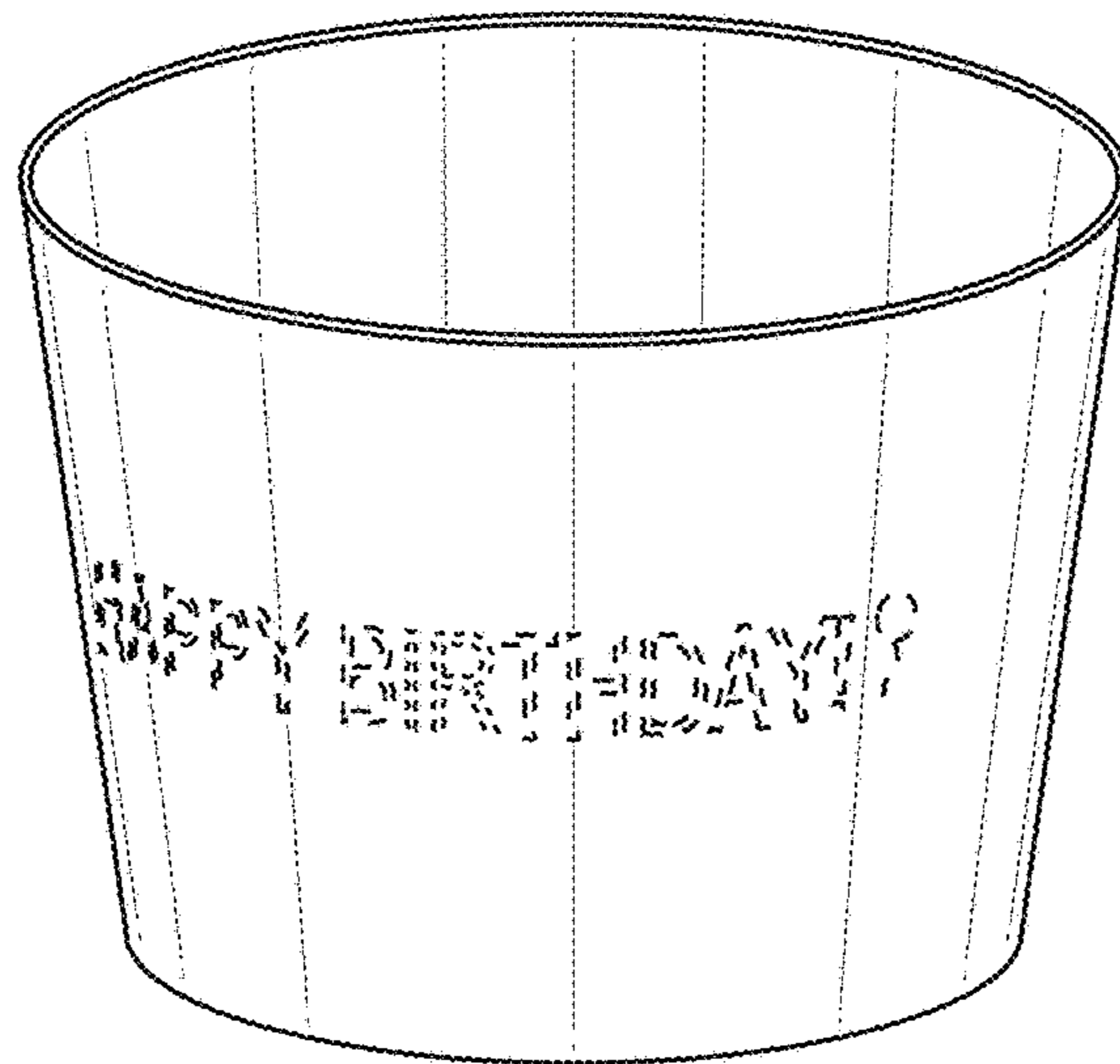
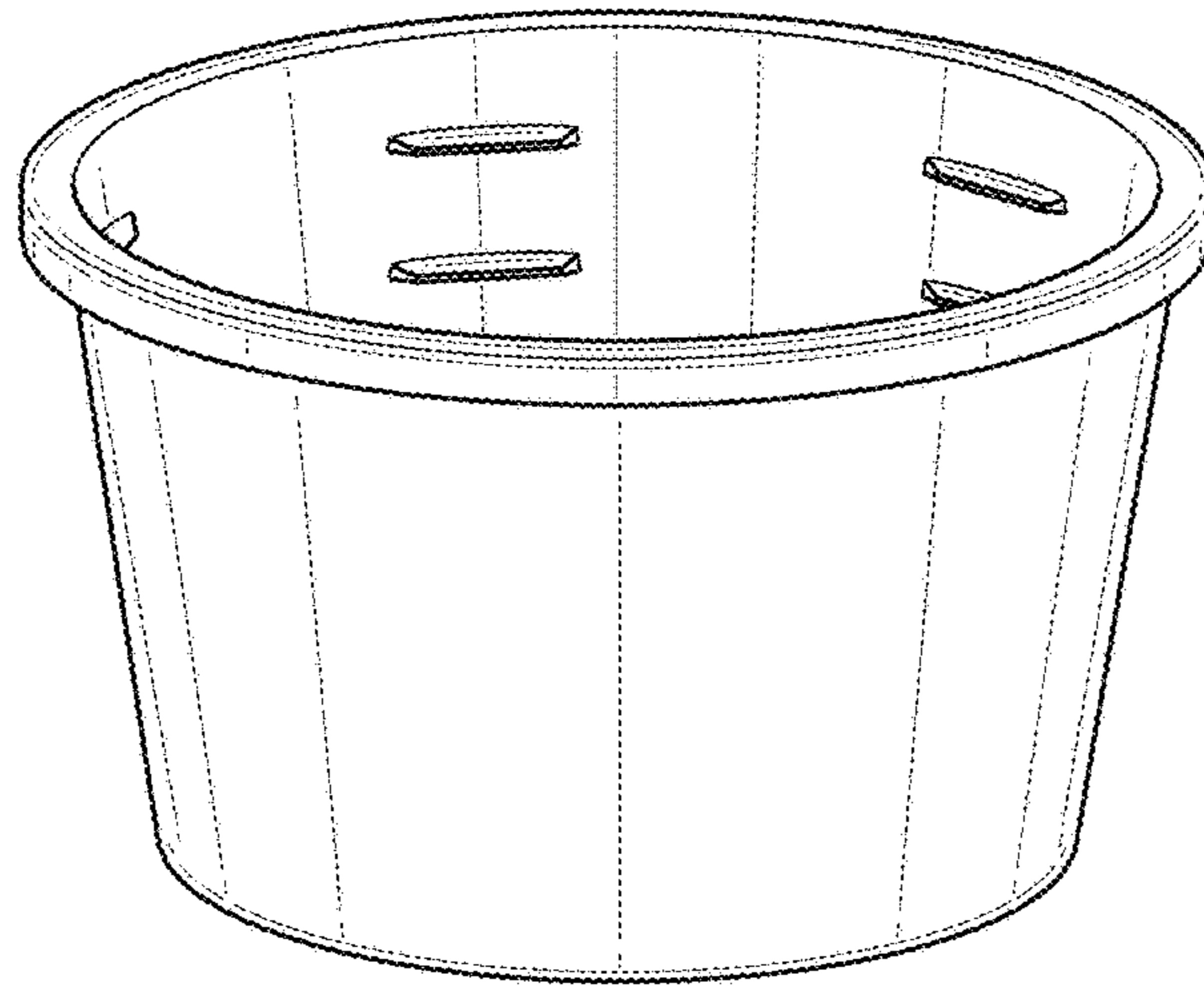


FIG. 8