



US00D848264S

(12) **United States Design Patent** (10) **Patent No.:** **US D848,264 S**  
**Martinez** (45) **Date of Patent:** **\*\* May 14, 2019**

(54) **BOTTLE**  
(71) Applicant: **Tropicana Products, Inc.**, Bradenton, FL (US)  
(72) Inventor: **Raymundo Martinez**, Berwyn, IL (US)  
(73) Assignee: **Tropicana Products, Inc.**, Bradenton, FL (US)  
(\*\*) Term: **15 Years**  
(21) Appl. No.: **29/588,343**  
(22) Filed: **Dec. 20, 2016**  
(51) **LOC (11) Cl.** ..... **09-01**  
(52) **U.S. Cl.**  
USPC ..... **D9/500**  
(58) **Field of Classification Search**  
USPC ..... D9/500, 502-503, 516, 530, 537-539, D9/549, 550, 557-558  
CPC ..... B65D 1/00; B65D 1/02; B65D 1/0223; B65D 23/00; B65D 81/00; B65D 2501/00; B65D 2501/0009  
See application file for complete search history.

D121,802 S 8/1940 Benjamin, Jr.  
D142,746 S 10/1945 Stackpole  
D166,542 S 4/1952 Kunett  
D166,731 S 5/1952 Blunt  
D187,399 S \* 3/1960 Campbell ..... D9/500  
(Continued)

**FOREIGN PATENT DOCUMENTS**

DE M8903410-0001 8/1990  
DE M9407029-0003 2/1995  
(Continued)

**OTHER PUBLICATIONS**

U.S. Trademark Registration No. 2229933, Tropicana Products, Inc., registered Mar. 9, 1999.  
(Continued)

*Primary Examiner* — Dana Meyrow  
(74) *Attorney, Agent, or Firm* — Sterne, Kessler, Goldstein & Fox P.L.L.C.

(57) **CLAIM**

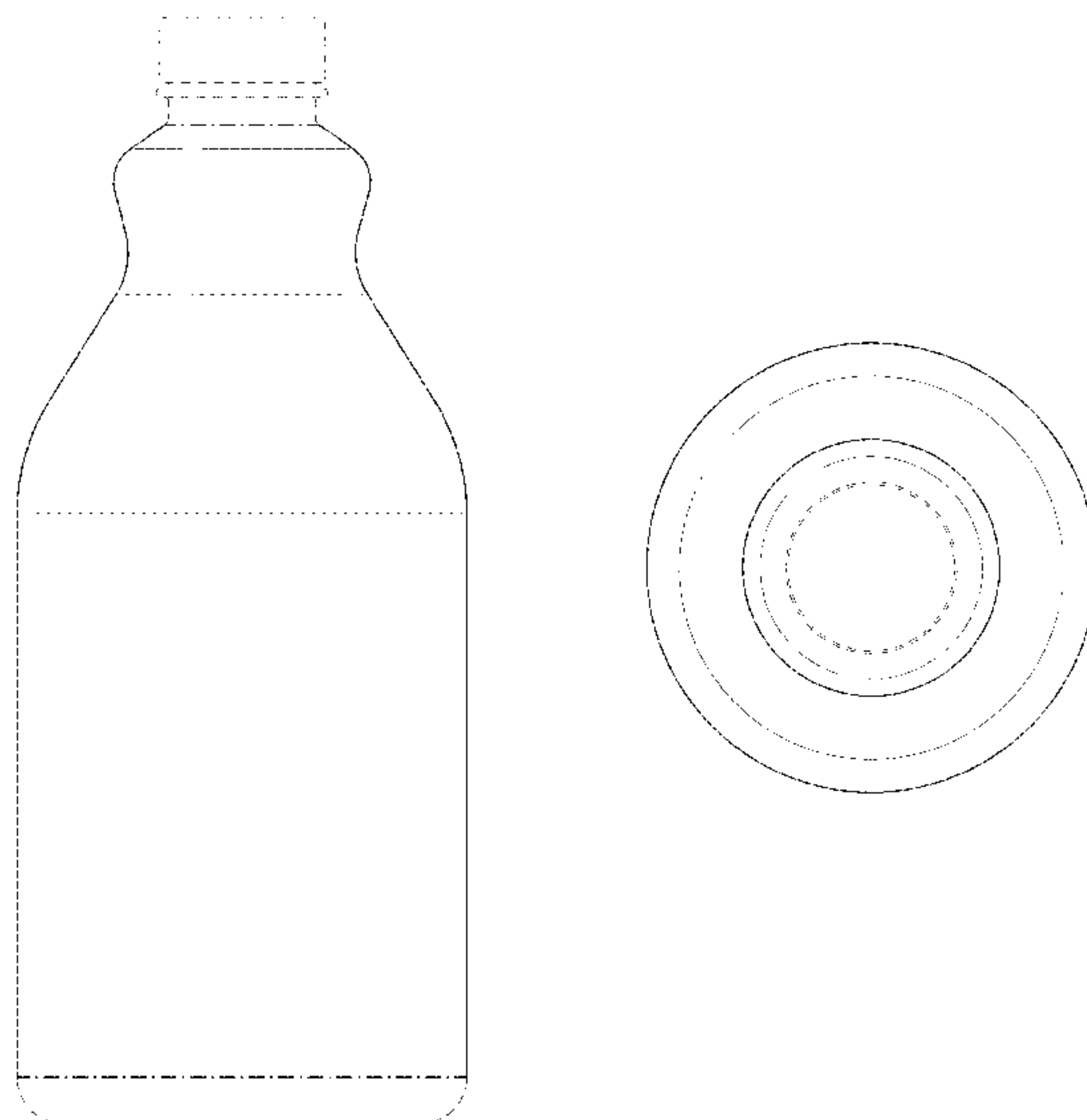
The ornamental design for a bottle, as shown and described.

**DESCRIPTION**

FIG. 1 is a top front perspective view of a bottle showing the claimed design;  
FIG. 2 is a bottom rear perspective view thereof;  
FIG. 3 is a front view thereof;  
FIG. 4 is a rear view thereof;  
FIG. 5 is a left side view thereof;  
FIG. 6 is a right side view thereof;  
FIG. 7 is a top view thereof; and,  
FIG. 8 is a bottom view thereof.  
The dashed broken lines in the figures show portions of the bottle that form no part of the claimed design.  
The dot-dash broken lines in the figures show boundaries that form no part of the claimed design.

**1 Claim, 7 Drawing Sheets**

(56) **References Cited**  
**U.S. PATENT DOCUMENTS**  
59,159 A 10/1866 Atterbury et al.  
D31,681 S 10/1899 Miller  
D39,921 S 4/1909 Boldt  
D73,288 S 8/1927 Harrison  
D77,407 S 1/1929 Grossman  
D77,619 S 1/1929 Mas  
D79,585 S 10/1929 Edwards  
D86,746 S 4/1932 Root  
D114,660 S 5/1939 Kerckhoff  
D115,956 S 8/1939 Dennis  
D116,861 S 9/1939 Mas  
D116,863 S 9/1939 Mas  
D121,192 S 6/1940 McKnight



(56)

References Cited

U.S. PATENT DOCUMENTS

D192,453 S \* 3/1962 Wilhelm ..... D9/500  
 3,043,461 A \* 7/1962 Glassco ..... B65D 1/0276  
 215/375  
 D208,953 S 10/1967 Belcher et al.  
 D211,683 S \* 7/1968 Johson et al. .... D9/500  
 D217,129 S \* 4/1970 Beeby ..... D9/504  
 D222,529 S 11/1971 Terner  
 D225,725 S 1/1973 Pettengill  
 D232,520 S \* 8/1974 Canfield ..... D9/500  
 D234,292 S 2/1975 Plummer  
 D237,944 S 12/1975 Taylor  
 D240,018 S 5/1976 Reynolds  
 D241,714 S 10/1976 Plummer  
 D243,316 S \* 2/1977 Reynolds ..... D9/500  
 D245,068 S \* 7/1977 Ruriani ..... D9/503  
 D246,028 S 10/1977 McNab  
 D247,471 S \* 3/1978 Strand ..... D9/500  
 D247,847 S 5/1978 Kretz  
 D248,834 S 8/1978 Morgan  
 D250,170 S 11/1978 Strand  
 D260,966 S 9/1981 Kretz  
 D262,516 S 1/1982 Oshita  
 D263,119 S 2/1982 Oshita  
 D264,306 S 5/1982 Pardo  
 D273,092 S 3/1984 Kretz  
 D274,217 S 6/1984 Aramaki  
 D274,501 S 7/1984 Campbell  
 D288,905 S 3/1987 Platte, Sr.  
 D292,880 S \* 11/1987 Jacobs ..... D9/500  
 D293,888 S \* 1/1988 Rogler ..... D9/500  
 D294,677 S \* 3/1988 Rogler ..... D9/500  
 D308,575 S 6/1990 Mariol  
 D315,869 S 4/1991 Collette  
 5,056,674 A \* 10/1991 Swartley ..... B65D 1/023  
 215/382  
 D327,006 S 6/1992 Bostwick et al.  
 D333,268 S 2/1993 Arlinghaus et al.  
 D333,434 S 2/1993 Sosenko  
 D337,518 S 7/1993 Bostwick et al.  
 D337,724 S 7/1993 Bostwick et al.  
 5,242,066 A 9/1993 Kelsey  
 D340,868 S 11/1993 Gormley  
 D345,506 S 3/1994 Potts et al.  
 D345,693 S 4/1994 Edstrom  
 D348,606 S 7/1994 Edstrom  
 5,350,078 A 9/1994 Potts et al.  
 D374,826 S 10/1996 Mackinson et al.  
 D382,487 S 8/1997 Tippitt et al.  
 D384,889 S 10/1997 Nasrallah  
 D387,668 S 12/1997 Bond  
 D391,493 S 3/1998 Panella et al.  
 5,762,221 A 6/1998 Tobias et al.  
 D397,614 S 9/1998 Krishnakumar et al.  
 D399,424 S 10/1998 Young  
 D399,756 S 10/1998 Lonczak et al.  
 D405,372 S 2/1999 Yucknut  
 D405,698 S 2/1999 Lykken et al.

D407,980 S 4/1999 Dinand  
 D409,091 S 5/1999 Beaver et al.  
 D409,493 S 5/1999 Waggaman et al.  
 D411,453 S 6/1999 Piccioli et al.  
 D411,460 S 6/1999 Nobuto  
 D412,281 S 7/1999 Lindsay et al.  
 D413,067 S 8/1999 Haley  
 D413,265 S 8/1999 Hestehave et al.  
 5,931,323 A 8/1999 Wilkinson et al.  
 D414,112 S 9/1999 Waggaman et al.  
 D415,031 S 10/1999 Mahlmann  
 D415,428 S 10/1999 Keller et al.  
 D418,758 S 1/2000 Yucknut  
 D419,882 S 2/2000 Bretz et al.  
 D420,448 S 2/2000 Brown et al.  
 D420,592 S 2/2000 Bretz et al.  
 D422,915 S 4/2000 Hestehave et al.  
 D423,107 S 4/2000 Brown et al.  
 D427,909 S 7/2000 Doritty et al.  
 D428,813 S 8/2000 Haley  
 D435,108 S 12/2000 Chomik et al.  
 D436,032 S 1/2001 Croft et al.  
 D436,033 S 1/2001 Croft et al.  
 D445,033 S 7/2001 Bretz et al.  
 D445,034 S 7/2001 Bretz et al.  
 D445,035 S 7/2001 Bretz et al.  
 D448,670 S 10/2001 Bretz et al.  
 D450,590 S 11/2001 Van Dyk et al.  
 D455,351 S 4/2002 Bailey  
 D467,179 S 12/2002 Nelson et al.  
 D477,226 S \* 7/2003 Chirico ..... D9/503  
 D531,042 S 10/2006 Venkataraman et al.  
 D579,334 S \* 10/2008 Williams ..... D9/500  
 D617,195 S \* 6/2010 Williams ..... D9/500  
 D623,070 S 9/2010 Jamison et al.  
 D691,477 S \* 10/2013 Tomkins ..... D9/500  
 D759,492 S \* 6/2016 Dominick ..... D9/542  
 D782,911 S \* 4/2017 Dominick ..... D9/542

FOREIGN PATENT DOCUMENTS

DE	M9603588- 0001	12/1996
GB	2037456	3/1994
GB	2038269	4/1994
GB	2038271	4/1994
GB	2038272	4/1994
GB	2051122	10/1996

OTHER PUBLICATIONS

U.S. Trademark Application No. 75621184, Compagnie Gervais Danone, filed Jan. 15, 1999.  
 U.S. Trademark Application No. 75909886, Mistic Brands, Inc., filed Feb. 4, 2000.  
 U.S. Trademark Registration No. 2445602, Mistic Brands, Inc, registered Apr. 24, 2001.  
 Packet magazine, "Блеск России," Jun. 2002, p. 38, No. 3, Kursiv Publishing House, Moscow, Russia.

\* cited by examiner

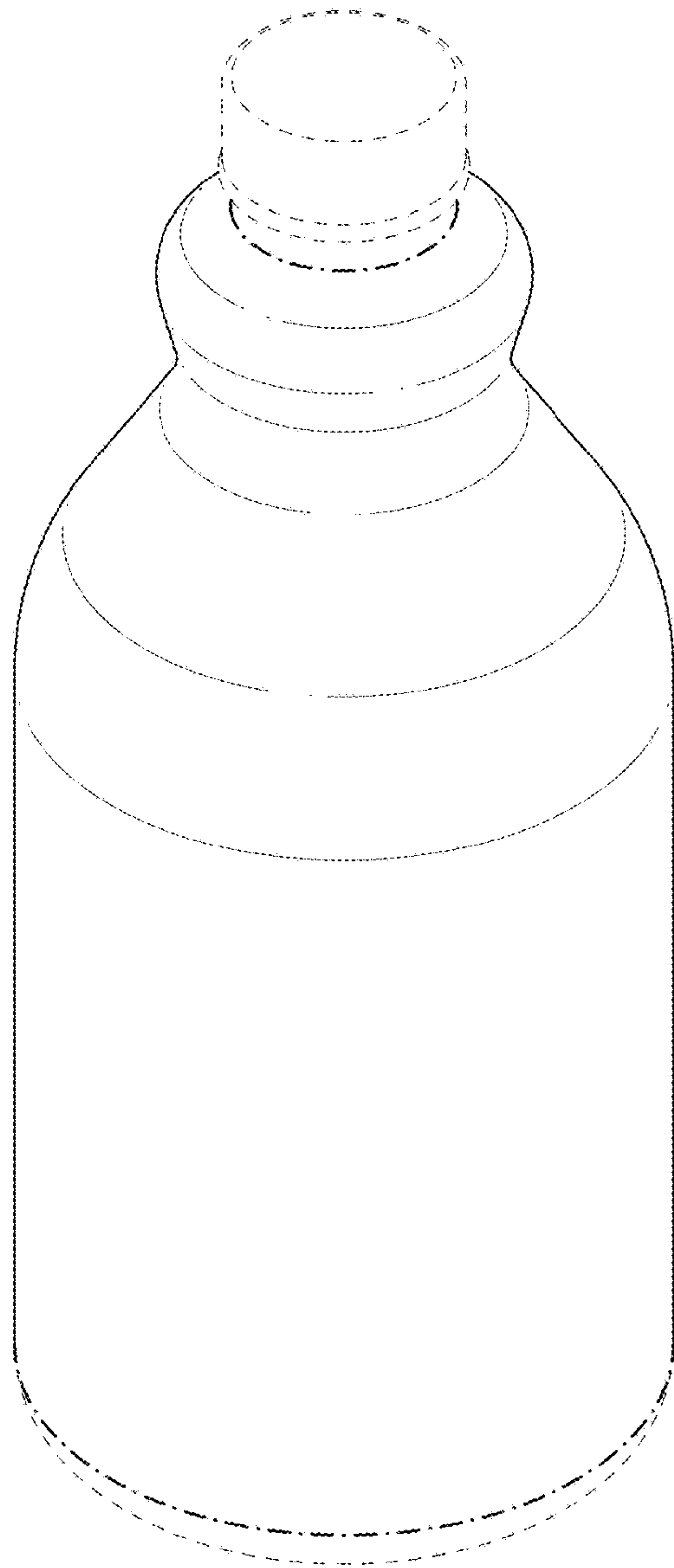


FIG. 1

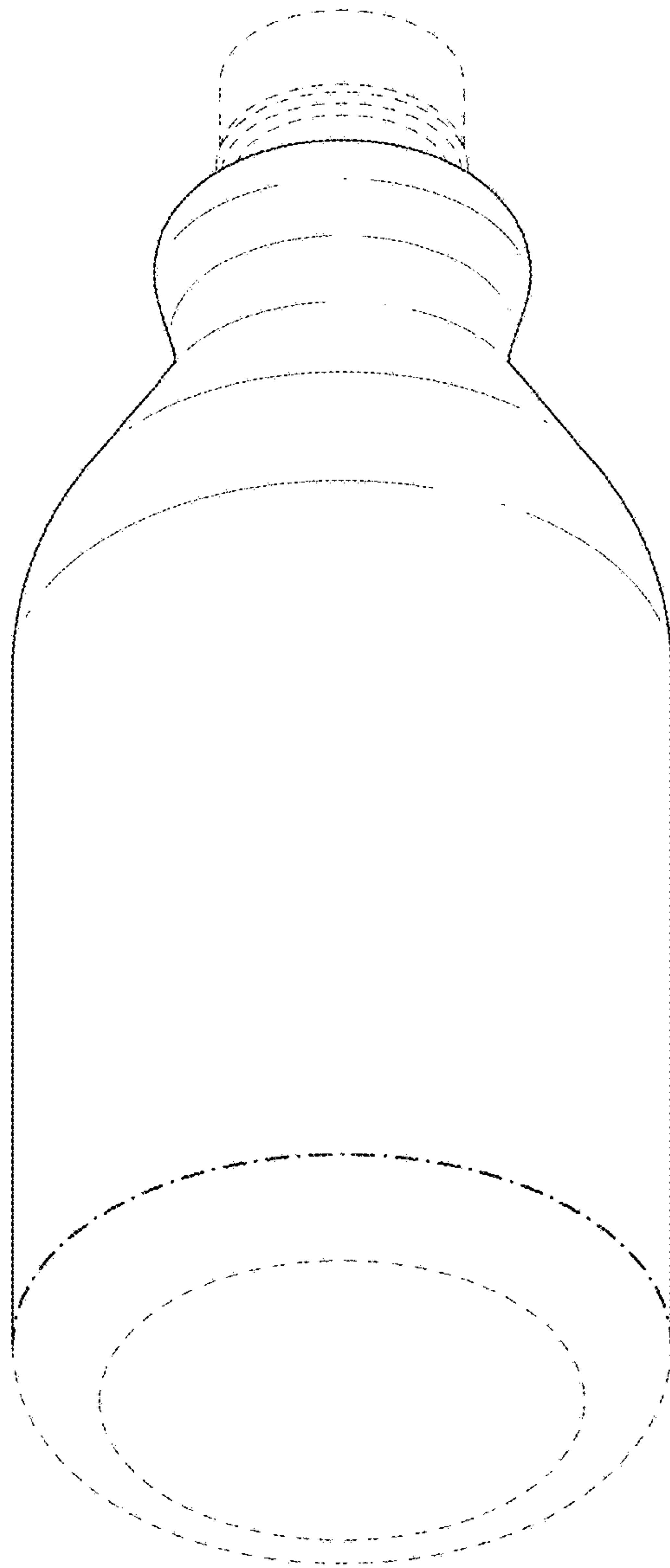


FIG. 2

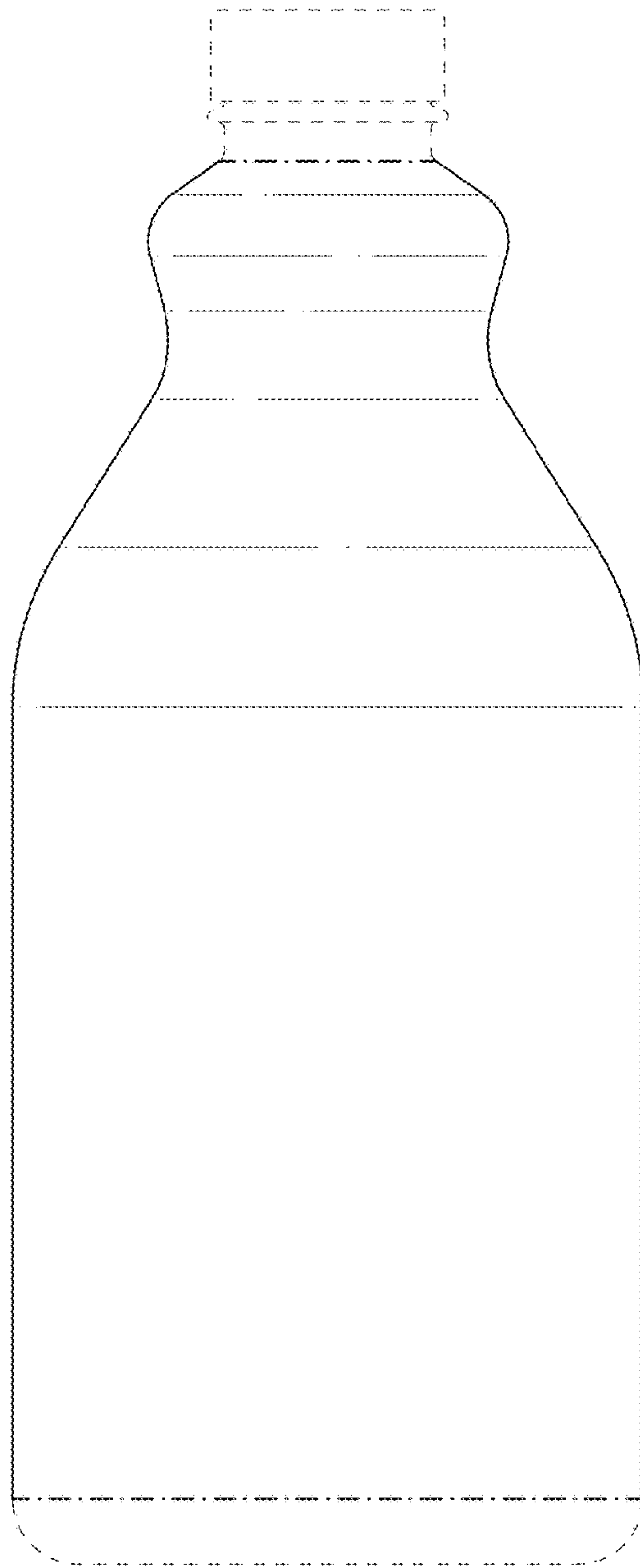


FIG. 3



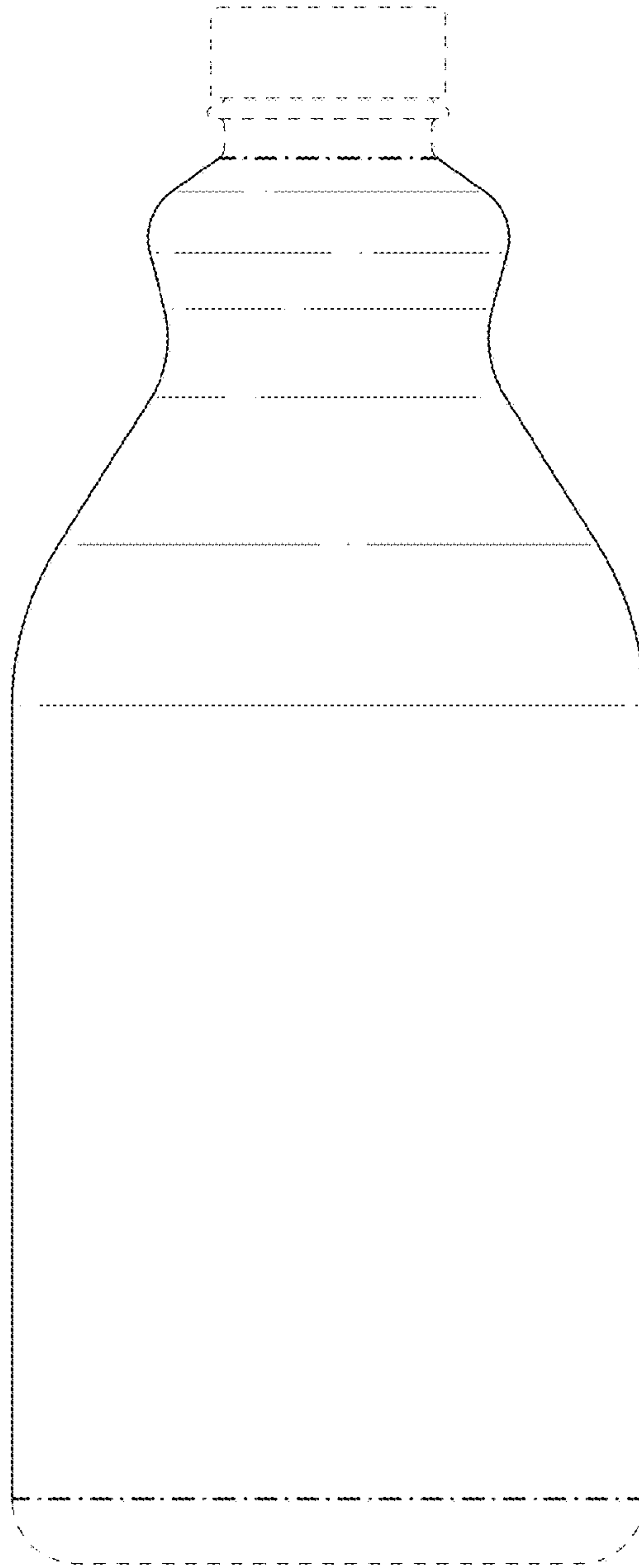


FIG. 4

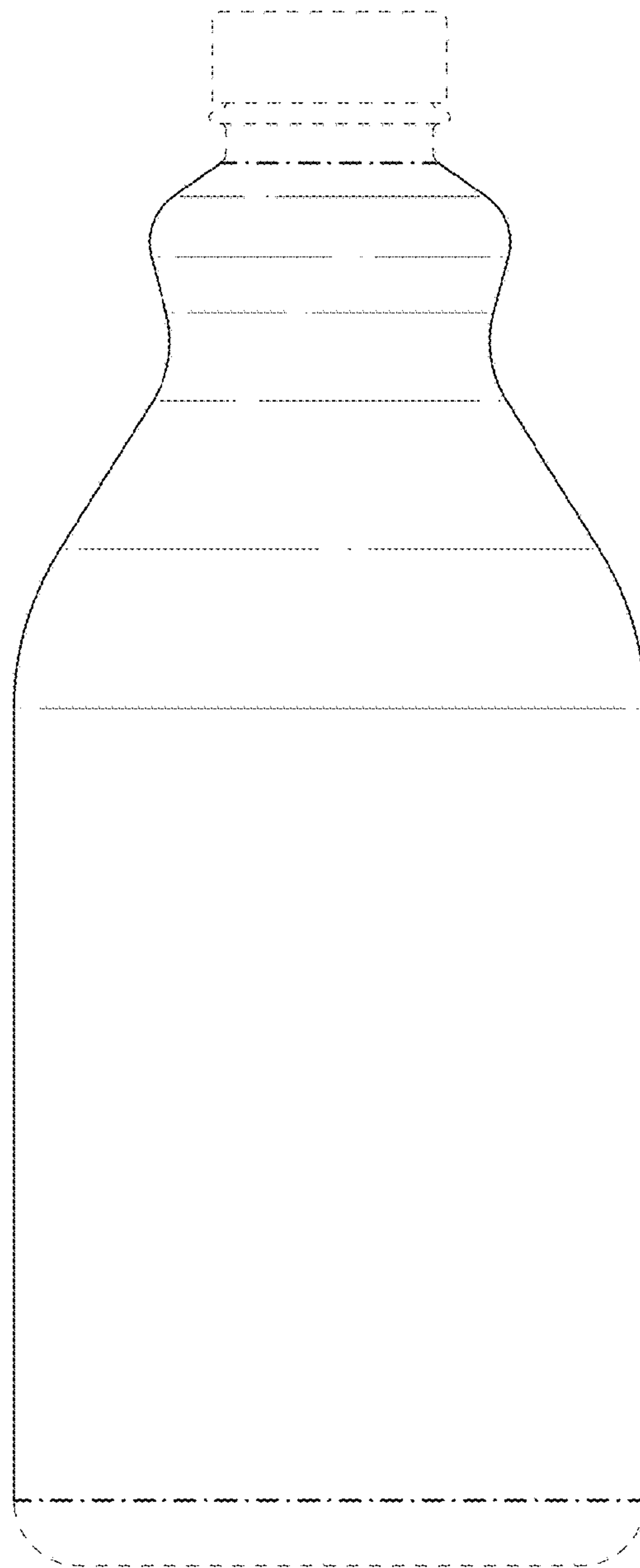


FIG. 5

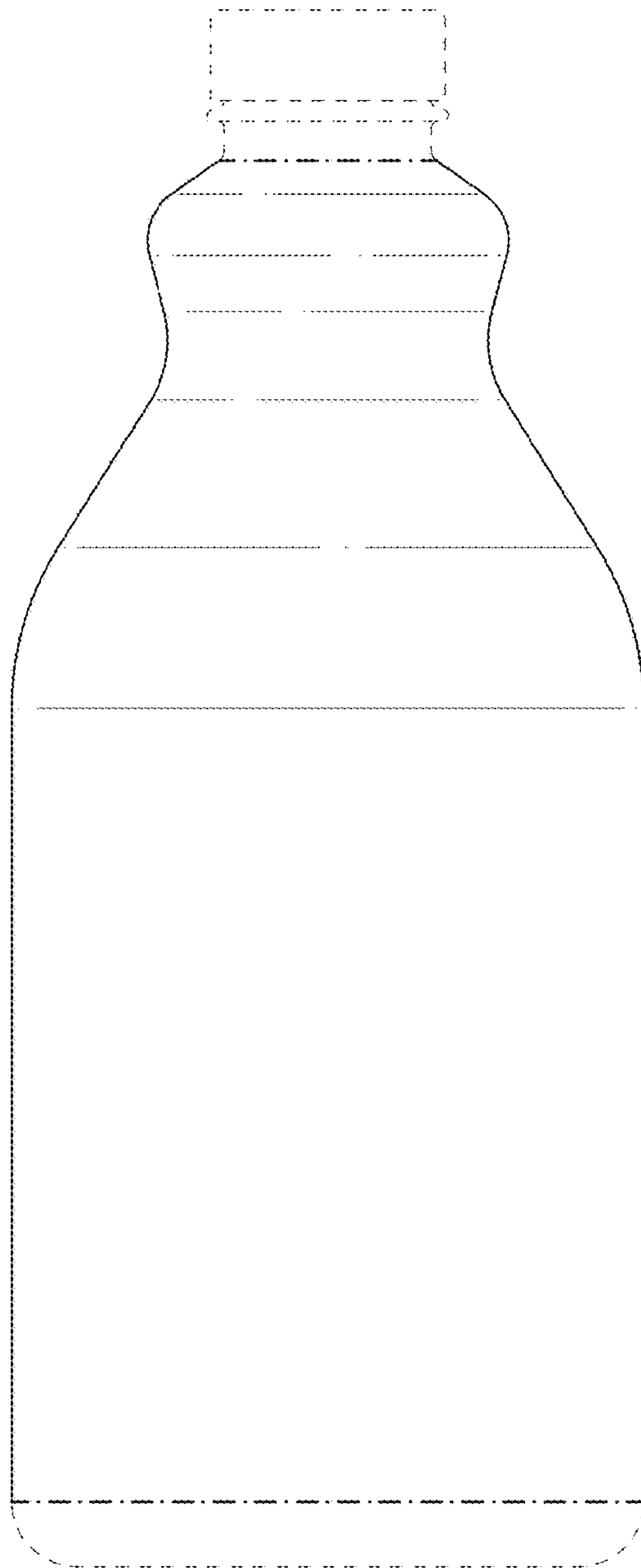


FIG. 6



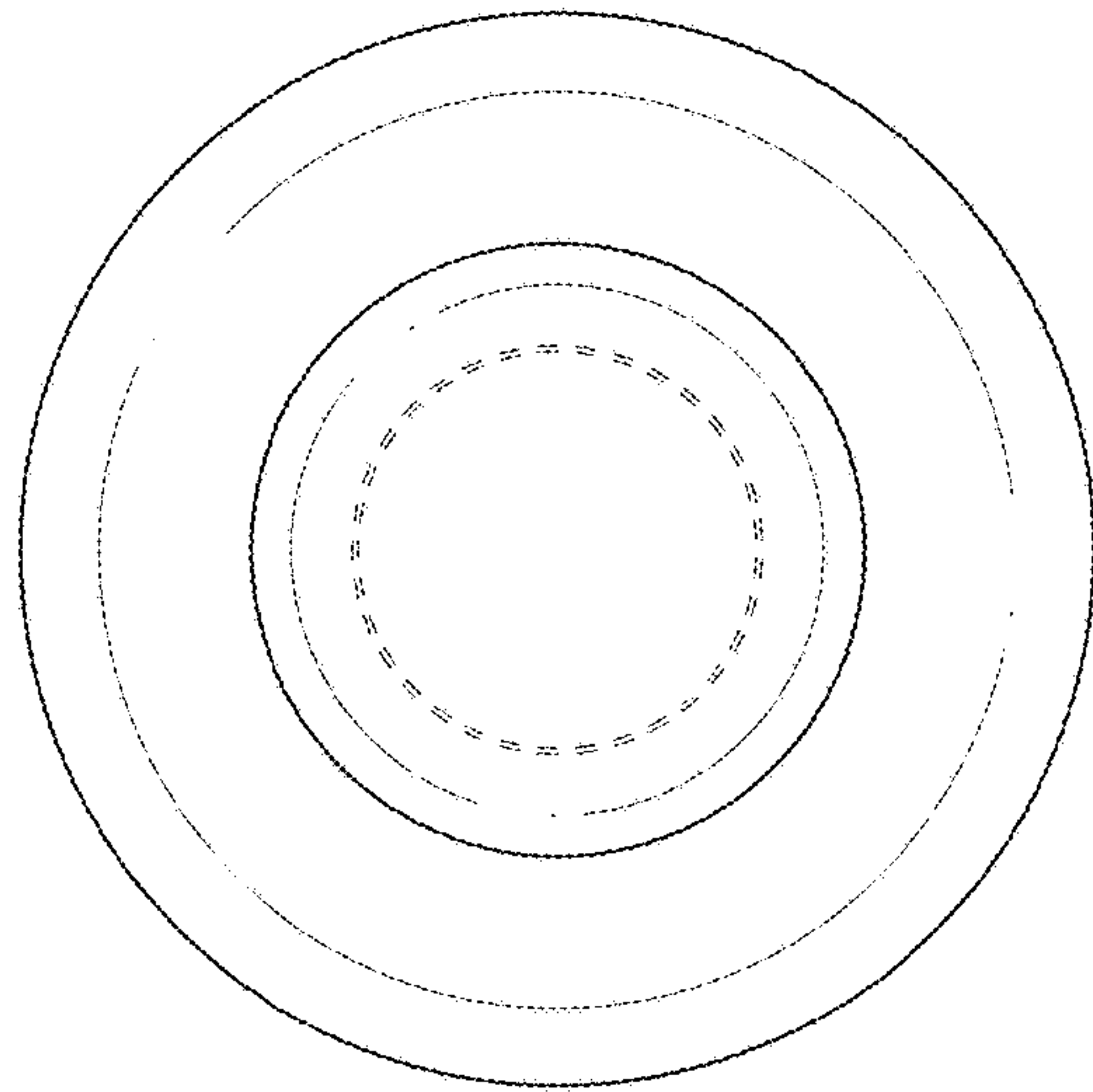


FIG. 7

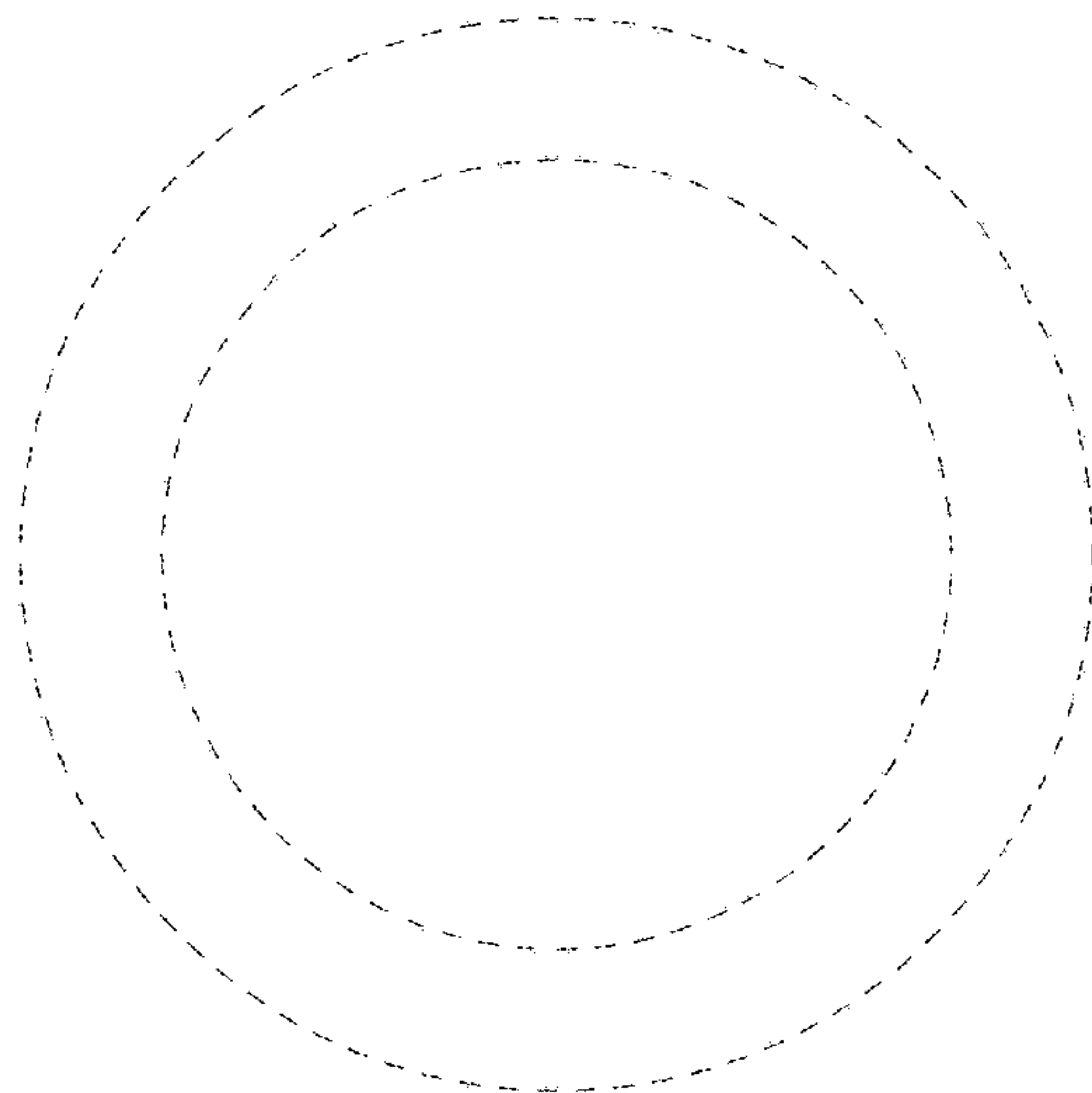


FIG. 8