



US00D848263S

(12) **United States Design Patent** (10) **Patent No.:** **US D848,263 S**
Longobardi (45) **Date of Patent:** **** May 14, 2019**

(54) **GIFT WRAP WITH RUFFLED ENDS**

(71) Applicant: **Linda R. Longobardi**, Glastonbury, CT (US)

(72) Inventor: **Linda R. Longobardi**, Glastonbury, CT (US)

(**) Term: **15 Years**

(21) Appl. No.: **29/587,392**

(22) Filed: **Dec. 13, 2016**

(51) **LOC (11) Cl.** **09-99**

(52) **U.S. Cl.**
USPC **D9/499**; D5/99; D9/434

(58) **Field of Classification Search**
USPC D3/201; D7/396.1, 550.1, 553.1, 553.2, D7/553.3, 554.4, 601, 602, 629; D9/414-416, 418-421, 423-426, D9/428-436, 455-457, 499, 443, 452; D2/603, 785, 790, 811, 819; D5/48, 99; D11/184
CPC B65D 33/28; B65D 65/38; B65D 65/46
See application file for complete search history.

(56) **References Cited**

U.S. PATENT DOCUMENTS

2,071,976	A	2/1937	Hanson	
2,157,193	A	5/1939	Webber et al.	
D136,290	S *	8/1943	McCoy	D2/811
D137,773	S *	4/1944	McCoy	D2/785
3,276,671	A	10/1966	Fleitman	
3,311,289	A	3/1967	French	
3,366,313	A	1/1968	Culberg et al.	
D219,805	S *	2/1971	Courreges	D9/414
5,004,144	A	4/1991	Selga	
5,392,983	A	2/1995	Clarke-Bolling et al.	
5,407,125	A	4/1995	Yates et al.	
5,456,062	A	10/1995	Wechsler	
5,529,395	A	6/1996	French	
5,904,289	A	5/1999	Hagan	

(Continued)

OTHER PUBLICATIONS

Amazon. Wrapeez Valentines Day and Everyday Wine Bags. Apr. 4, 2017 [earliest online date], [site visited Mar. 8, 2018]. Available from Internet, <URL:https://goo.gl/vsJBwe>. (Year: 2017).*

(Continued)

Primary Examiner — George D. Kirschbaum

Assistant Examiner — Darcey E Heflin

(74) *Attorney, Agent, or Firm* — UConn IP Law Clinic; Hao Zhang; Sara Bonaiuto

(57) **CLAIM**

The ornamental design for a gift wrap with ruffled ends, as shown and described.

DESCRIPTION

FIG. 1 is an upper view in perspective of a gift wrap with ruffled ends.

FIG. 2 is a top view of the article of FIG. 1.

FIG. 3 is an end view of the article of FIG. 1, the perimeter of the opening in broken lines forming no part of the claimed invention.

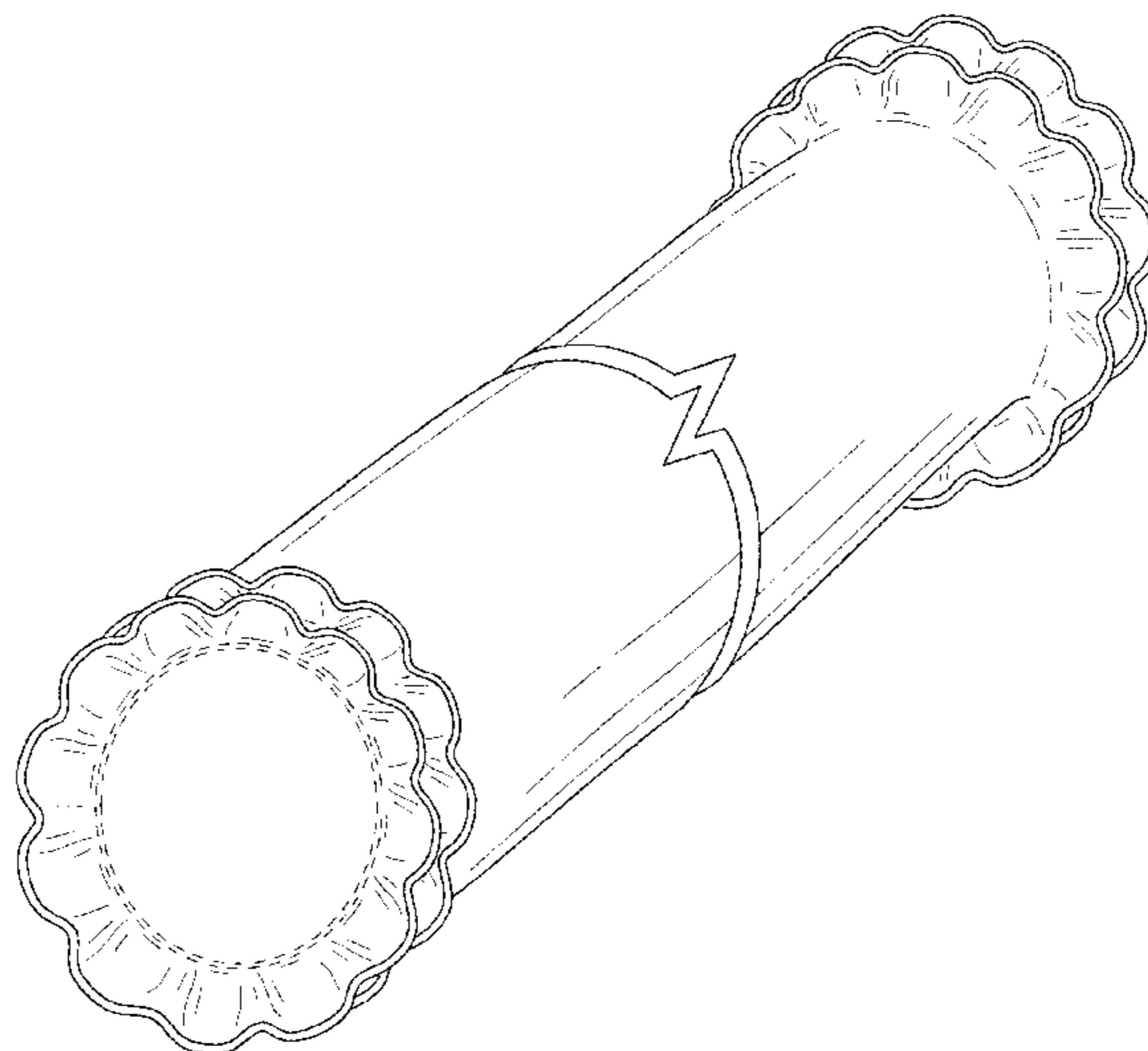
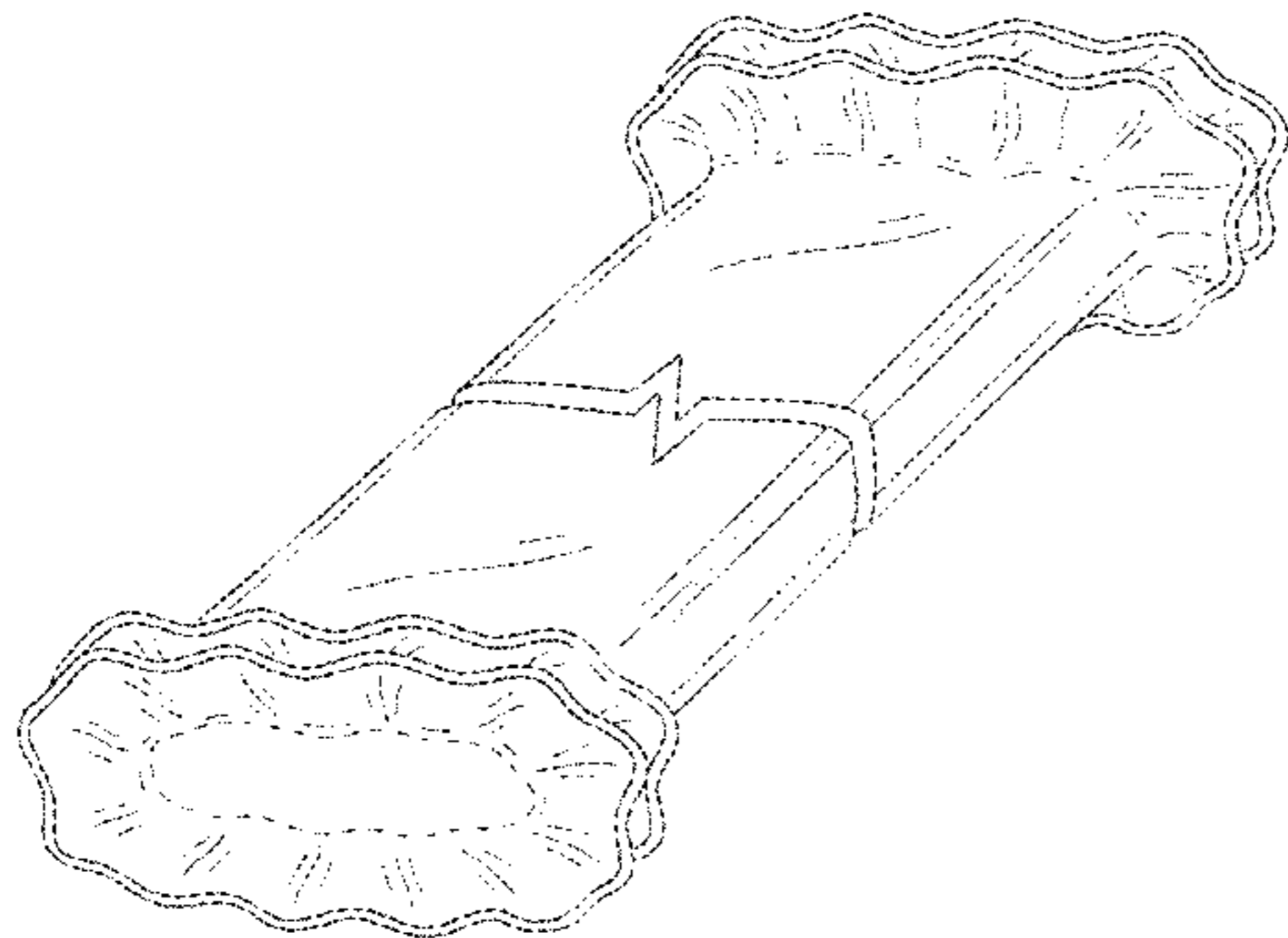
FIG. 4 is a side view of the article of FIG. 1.

FIG. 5 is a perspective view of the article of FIG. 1 in an exemplary use on a cylindrical package, the package in broken lines forming no part of the claimed invention; and, FIG. 6 is a perspective view of the article of FIG. 1 in an exemplary use on a rectangular package, the package in broken lines forming no part of the claimed invention.

In the drawings, the broken lines show portions of a gift wrap and a package that form no part of the claim.

The gift wrap with ruffled ends is shown with a symbolic break in its midsection. The appearance of any portion of the article between the break lines forms no part of the claimed design.

1 Claim, 4 Drawing Sheets



(56)

References Cited

U.S. PATENT DOCUMENTS

5,934,548	A	8/1999	Kenyon	
D495,255	S *	8/2004	Lewis	D9/436
D516,426	S *	3/2006	Golding	D9/452
7,007,308	B1	3/2006	Howland et al.	
D649,395	S *	11/2011	Gehring	D7/391
8,128,288	B2	3/2012	Feeney	
D723,327	S *	3/2015	Morgan	D7/392.1
9,174,783	B1	11/2015	Grabell et al.	
D799,961	S *	10/2017	Yu	D9/452
2007/0041670	A1	2/2007	Spizman et al.	
2010/0064634	A1	3/2010	Hughes et al.	
2010/0127053	A1	5/2010	Johnson	

OTHER PUBLICATIONS

CG Trader. Candy wrapper 3D model. Apr. 7, 2016 [earliest online date], [site visited Mar. 8, 2018]. Available from Internet, <URL:https://

www.cgtrader.com/3d-models/food/miscellaneous/candy-wrapper>. (Year: 2016).*

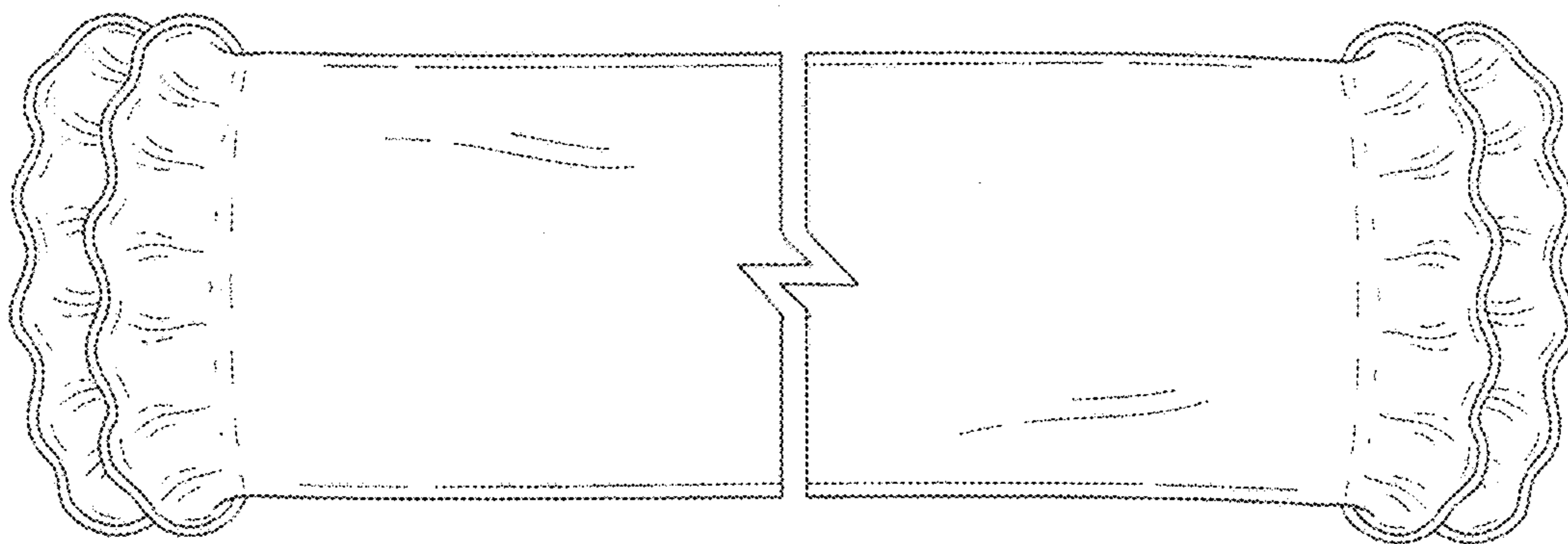
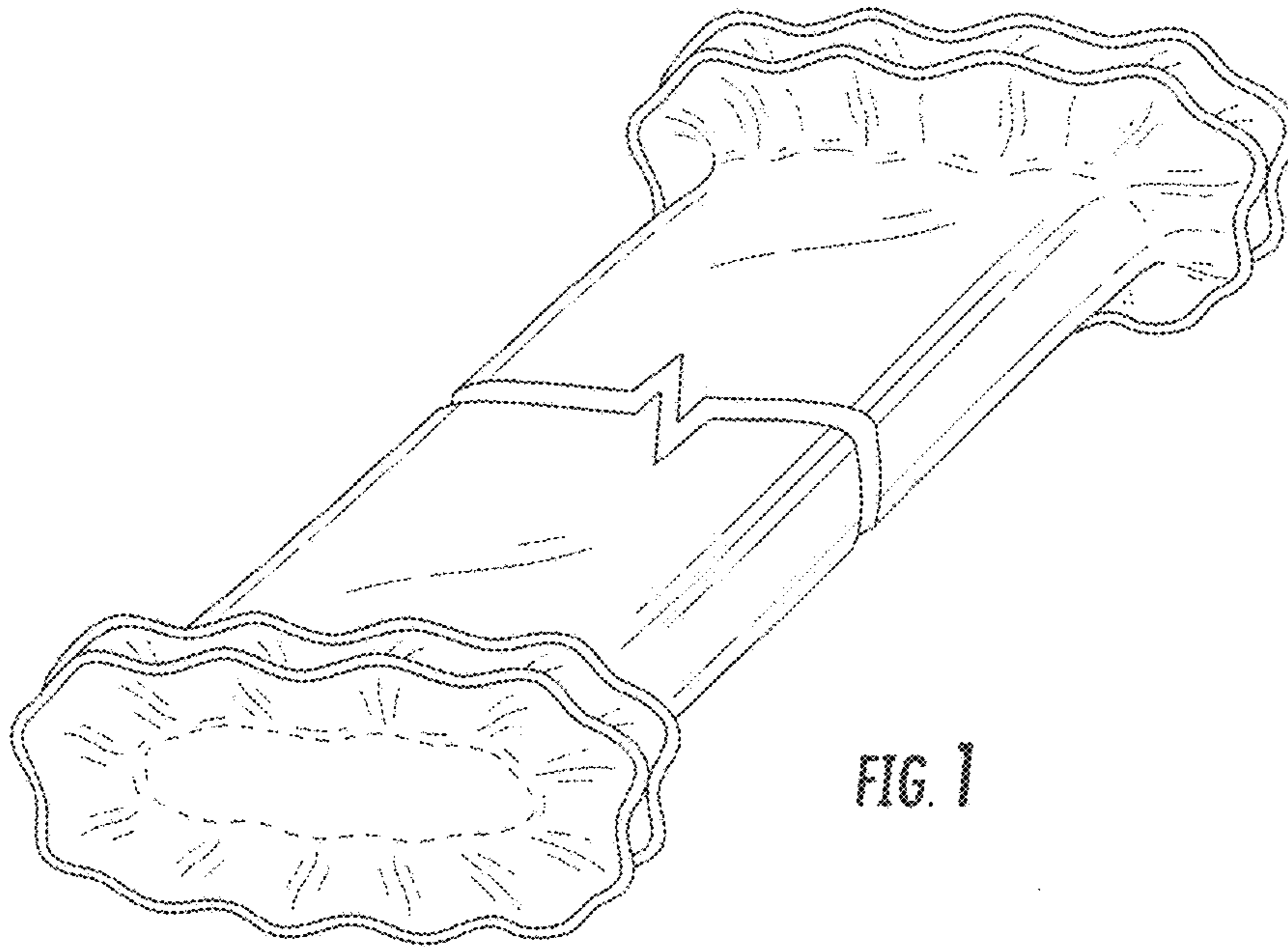
HubPages. Tootsie Roll Wrapper Craft Ideas. Apr. 14, 2013 [earliest online date], [site visited Mar. 8, 2018]. Available from Internet, <URL:https://hubpages.com/living/tootsie-rolls>. (Year: 2013).*

Ruffle Butts. Pink Ballet Bow Leg Warmers. Sep. 30, 2014 [earliest online date], [site visited Mar. 8, 2018]. Available from Internet, <URL: https://www.rufflebutts.com/white-pink-ballet-legwarmer.html>. (Year: 2014).*

Etsy. Headtoe2009—White Linen ruffled tissue box cover. Mar. 23, 2018 [earliest online date], [site visited Mar. 27, 2018]. Available from Internet, <URL:https://www.etsy.com/listing/126536835/white-linen-ruffled-tissue-box-cover?ref=shop_home_active_1>. (Year: 2018).*

www.wrapez.com/shop/ (downloaded from the web on Dec. 9, 2016).

* cited by examiner



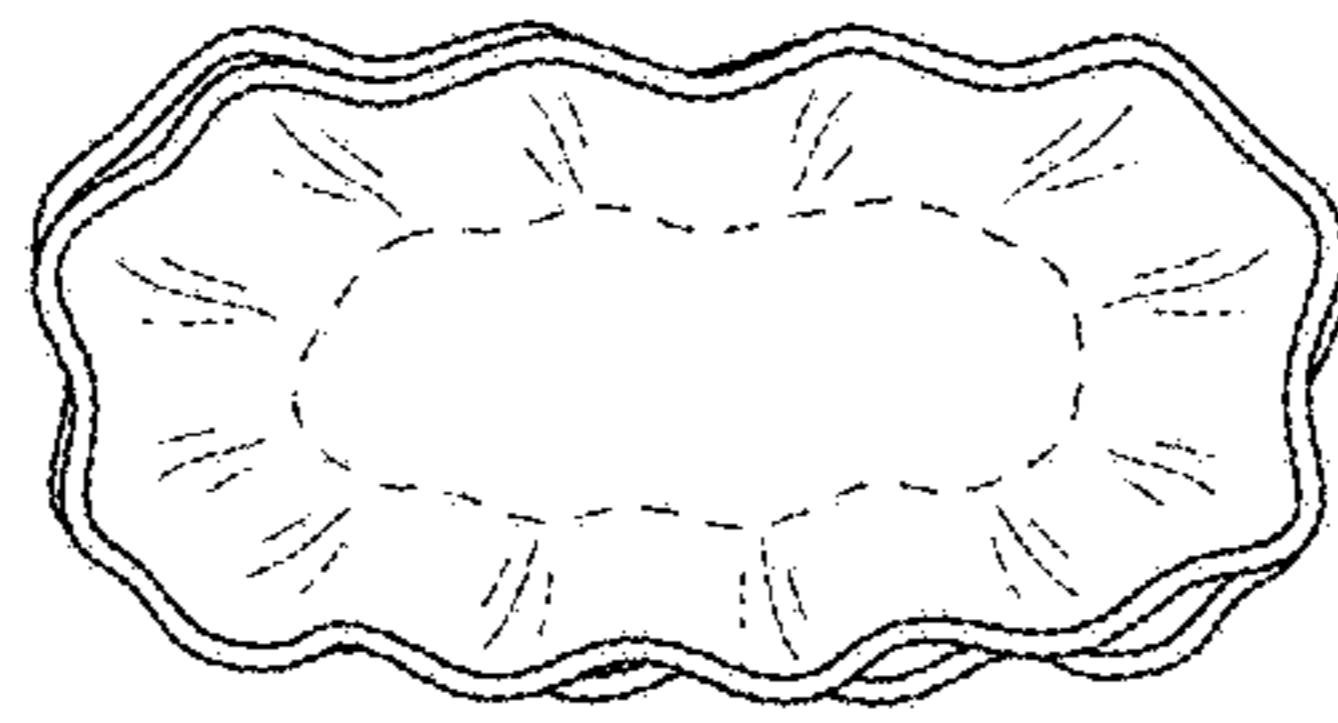


FIG. 3

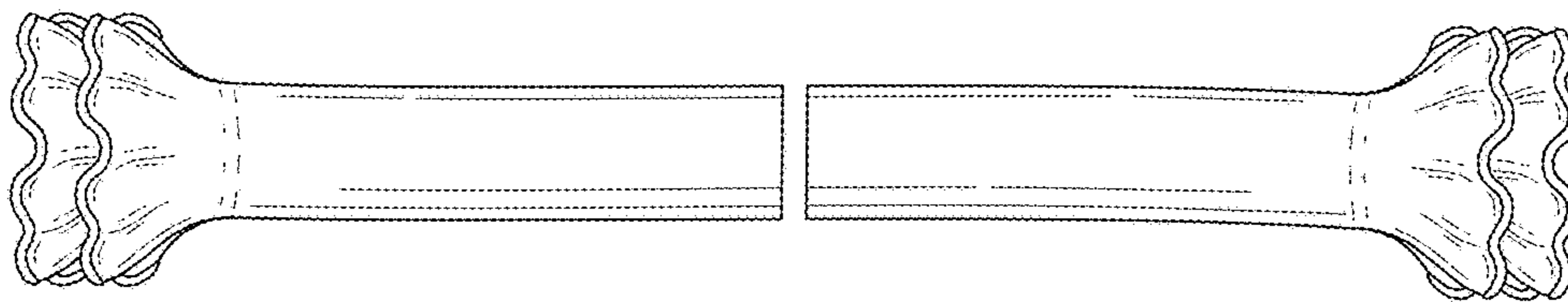


FIG. 4

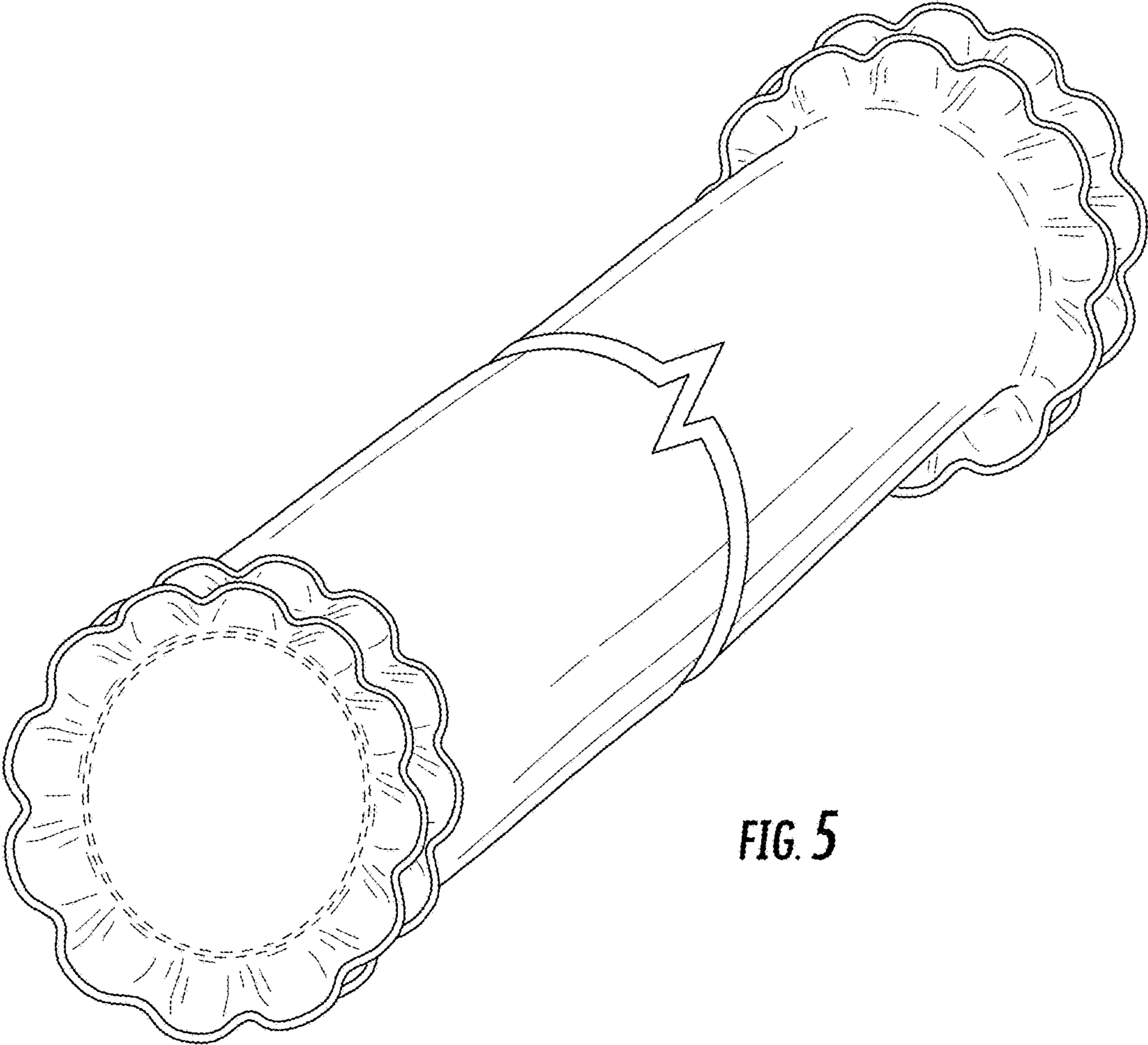


FIG. 5

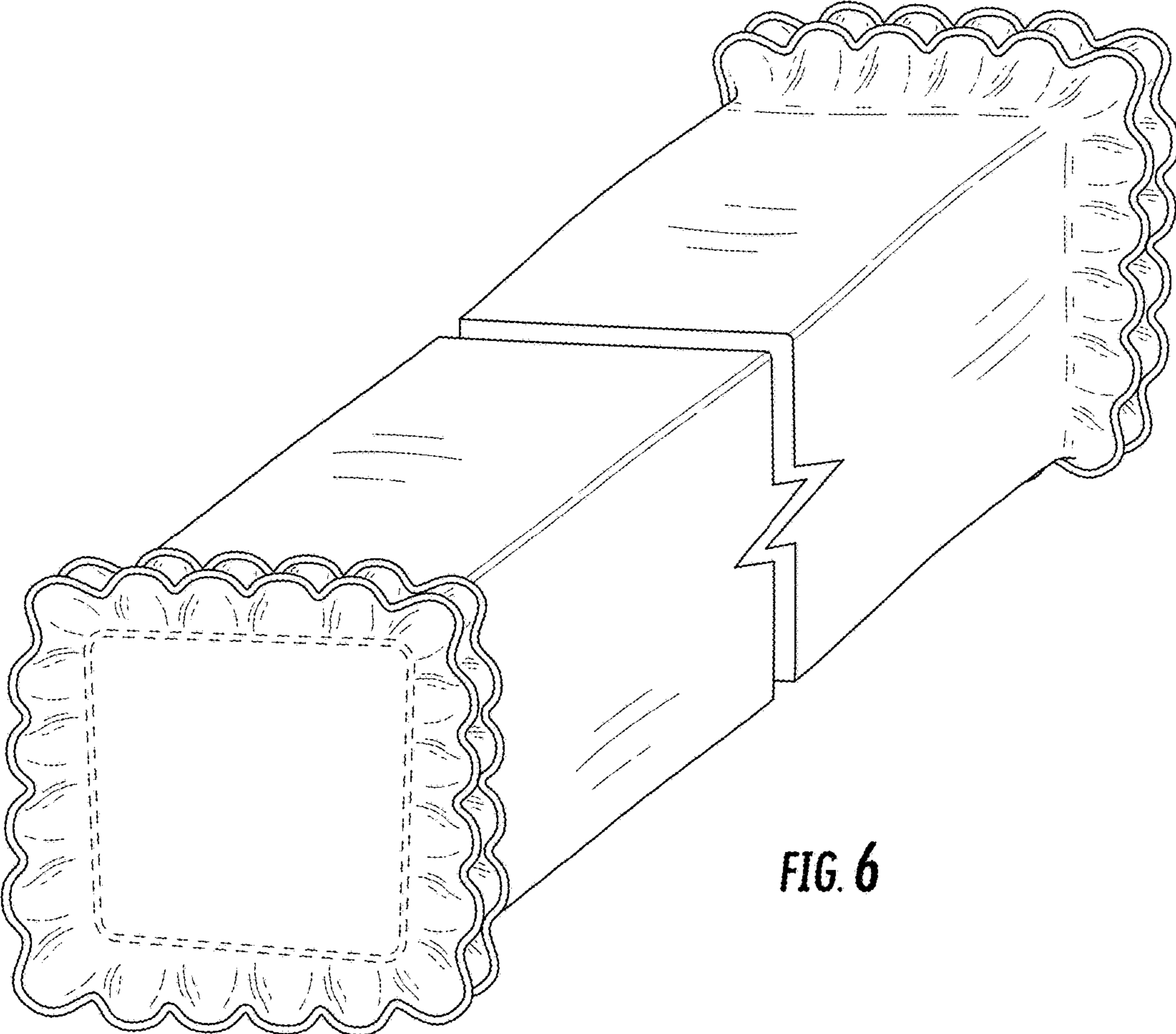


FIG. 6