



US00D848262S

(12) **United States Design Patent** (10) **Patent No.:** **US D848,262 S**
Luu et al. (45) **Date of Patent:** **** May 14, 2019**

(54) **BOTTLE CAP**

(71) Applicant: **LeChat**, Hercules, CA (US)

(72) Inventors: **Newton Luu**, Hercules, CA (US);
Christina Kleppe, Antioch, CA (US)

(73) Assignee: **LeChat**, Hercules, CA (US)

(**) Term: **15 Years**

(21) Appl. No.: **29/630,918**

(22) Filed: **Dec. 22, 2017**

(51) **LOC (11) Cl.** **09-07**

(52) **U.S. Cl.**
USPC **D9/454**

(58) **Field of Classification Search**
USPC D9/516, 447, 452, 454, 548, 560, 562,
D9/570, 573-574, 682, 715, 719, 723;
D4/116; D28/7, 76, 77, 88
CPC B65D 1/00; B65D 1/02; B65D 1/0223;
B65D 23/00; B65D 81/00; B65D 83/00;
B65D 2501/00; B65D 2501/0009; B65D
2501/0081; A45D 34/00; A45D 34/042;
A45D 34/045; A45D 34/046; A45D
34/048; A45D 34/06; A45D 2034/007;
A45D 40/0068; A45D 40/0075; A45D
40/26; A45D 40/262; A45D 40/264;
A45D 40/265

See application file for complete search history.

(56) **References Cited**
U.S. PATENT DOCUMENTS

D90,558 S	8/1933	Tricard
D93,074 S	8/1934	Westlake
D105,396 S	7/1937	McIntosh
D270,331 S	8/1983	Benson
D271,565 S	11/1983	Slater

D316,034 S	4/1991	DeGaetano	
D329,592 S *	9/1992	Crawford	D9/529
D379,764 S *	6/1997	Litton	D9/452
D469,356 S	1/2003	Vo	
D471,108 S	3/2003	Calderone, Jr.	
D494,476 S	8/2004	Cwynar-laska et al.	
6,966,716 B2 *	11/2005	Pink	A45D 34/045 401/126
7,311,457 B2	12/2007	Pink	
D561,027 S	2/2008	Nguyen	
D604,167 S	11/2009	Tran et al.	
D695,121 S	12/2013	Seo	
D701,124 S	3/2014	O'Hara	
D756,234 S	5/2016	Orset	
D758,737 S *	6/2016	Tan	D4/116
D767,405 S	9/2016	Orset	
D769,124 S	10/2016	Wieland	
D770,284 S	11/2016	Luu et al.	
D770,285 S	11/2016	Luu et al.	
D770,295 S	11/2016	Luu et al.	
D770,901 S	11/2016	Luu et al.	
D802,420 S *	11/2017	Luu	D9/452
D803,055 S *	11/2017	Luu	D9/452
D805,910 S *	12/2017	Luu	D9/560
D813,551 S *	3/2018	Tan	D4/116

* cited by examiner

Primary Examiner — Dana Meyrow

(74) *Attorney, Agent, or Firm* — Aka Chan LLP

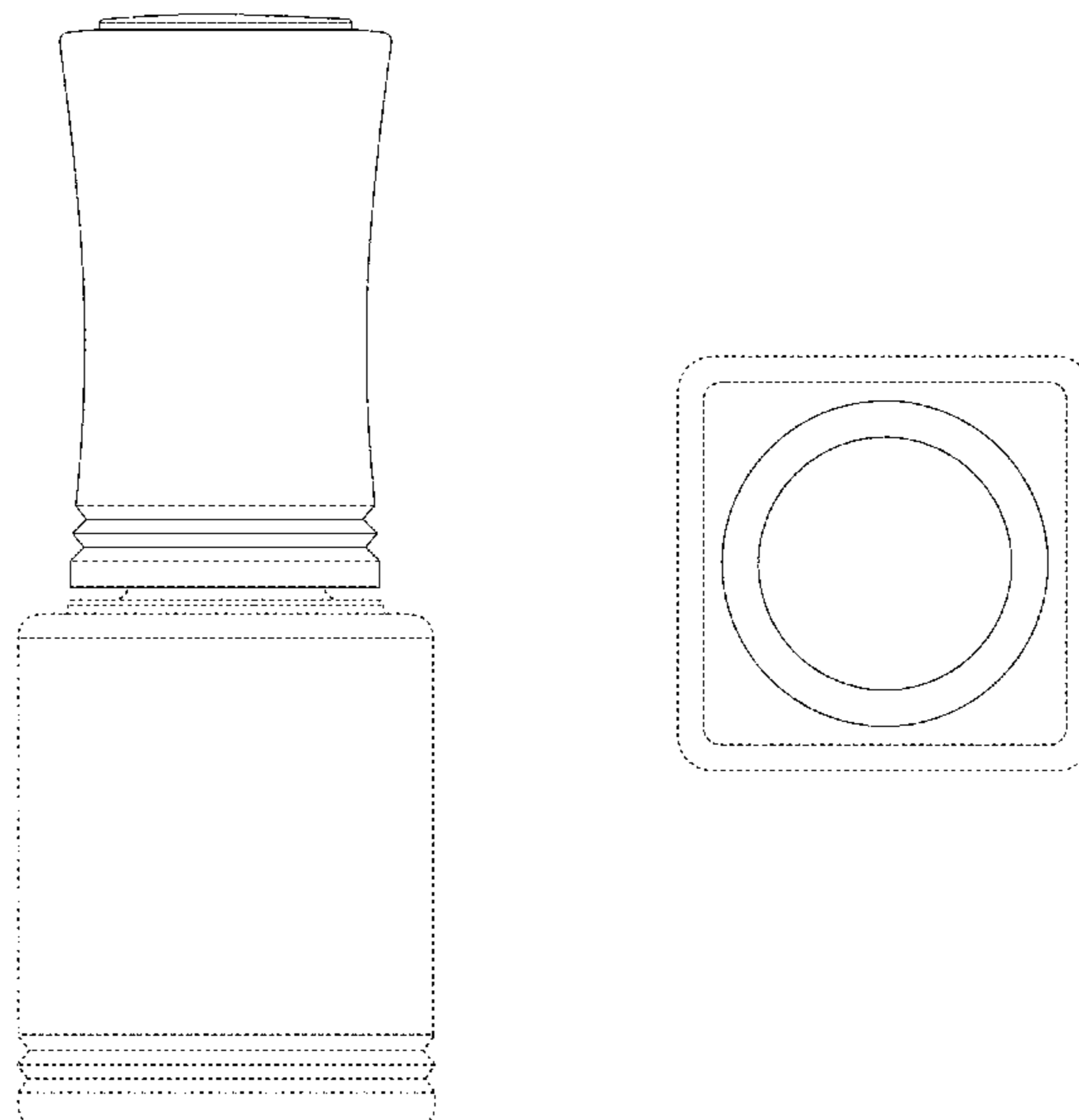
(57) **CLAIM**

The ornamental design for a bottle cap, as shown and described.

DESCRIPTION

FIG. 1 shows a perspective view of a design for a bottle cap. FIG. 2 shows a side view of the design; and, FIG. 3 shows a top view of the design. The broken lines in the drawings illustrate the portions of the design that form no part of the claim.

1 Claim, 3 Drawing Sheets



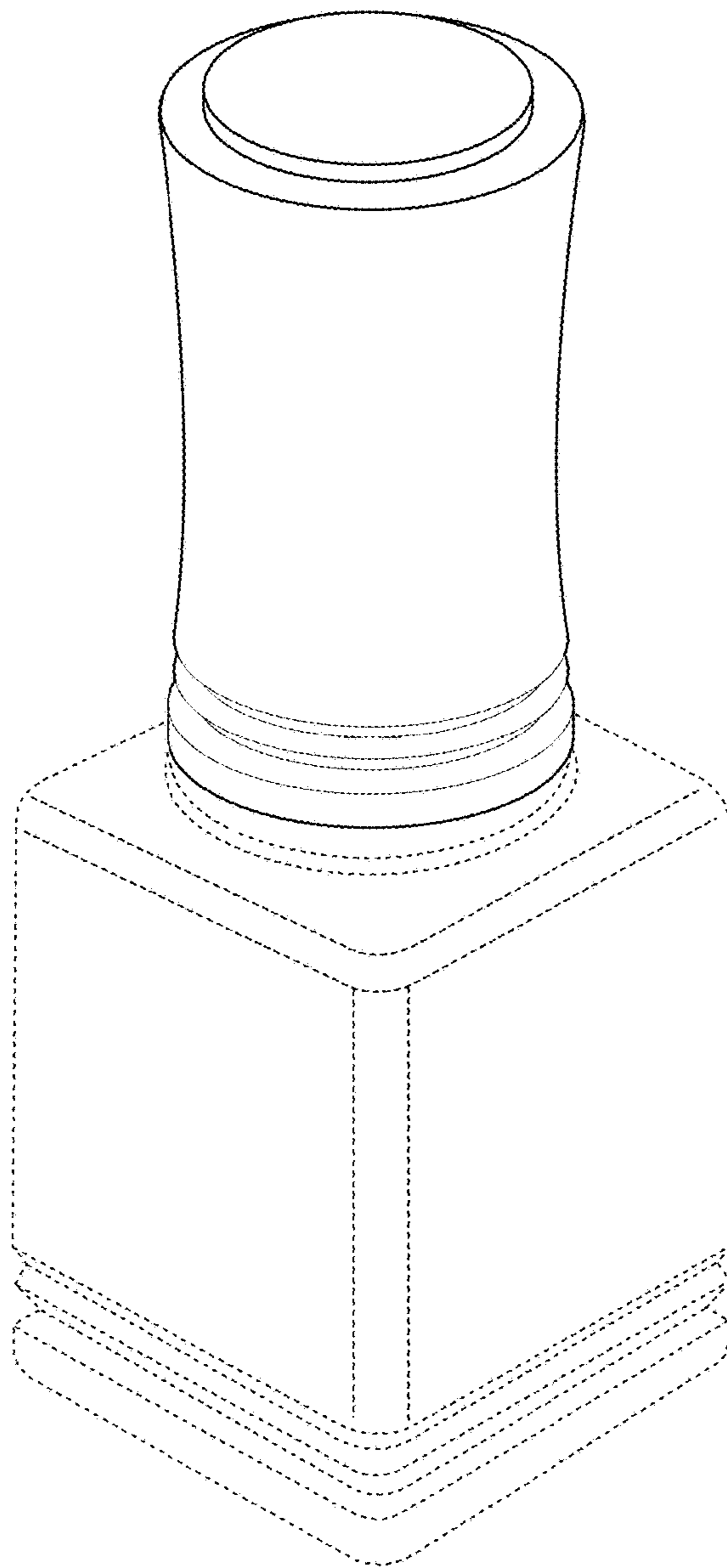


FIG. 1

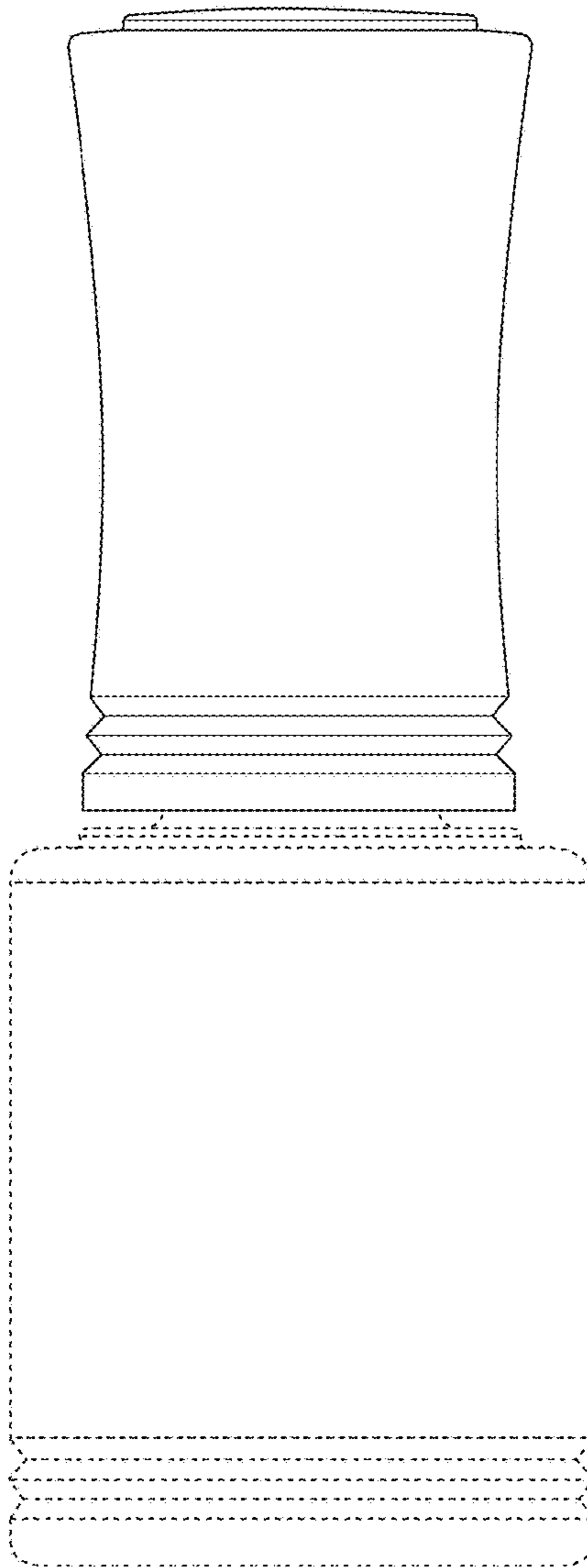


FIG. 2

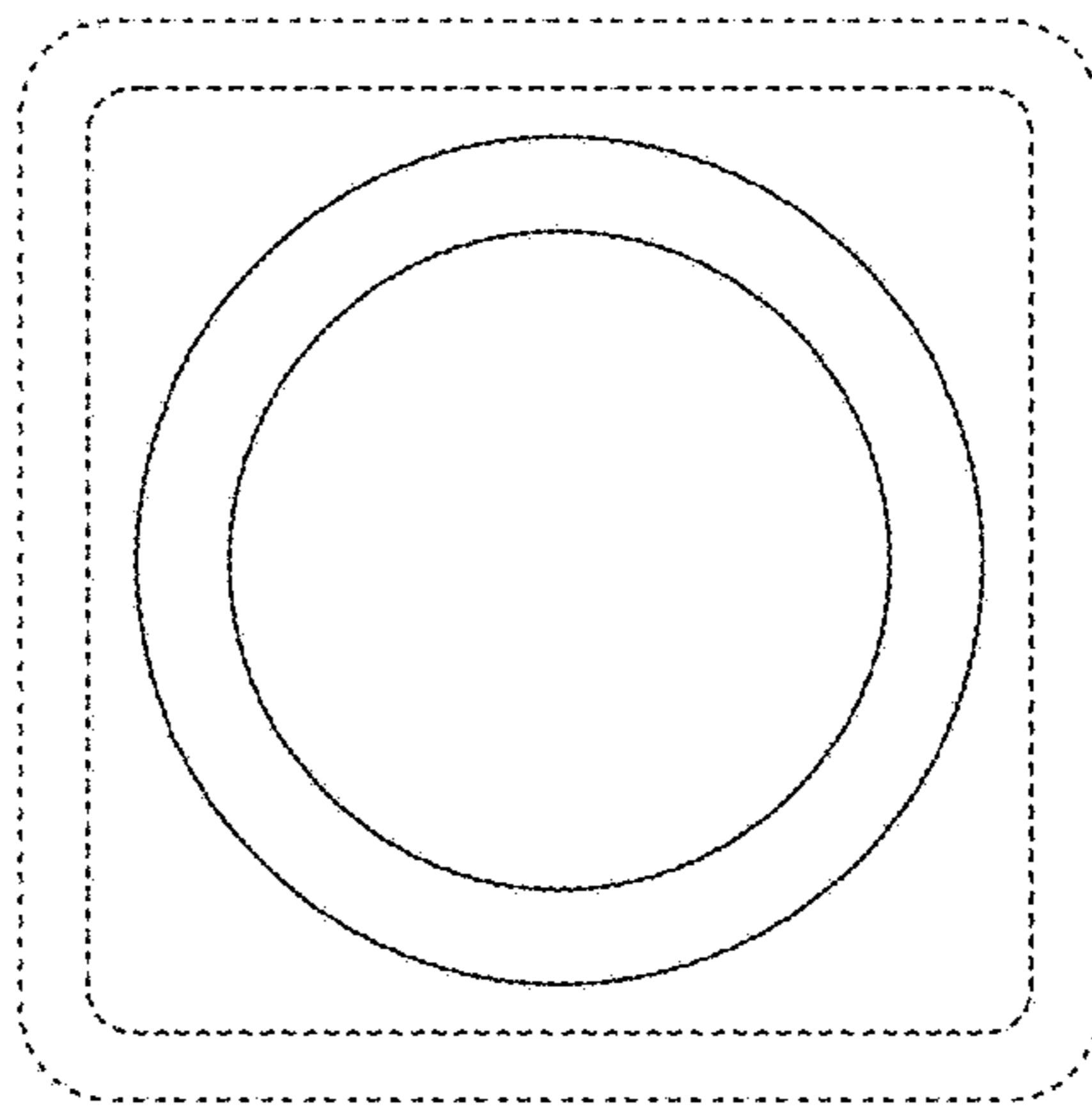


FIG. 3