



US00D848261S

(12) **United States Design Patent** (10) **Patent No.:** **US D848,261 S**
Wilkins et al. (45) **Date of Patent:** **** May 14, 2019**

(54) **BOTTLE CAP**
(71) Applicant: **The Procter & Gamble Company**,
Cincinnati, OH (US)
(72) Inventors: **Guy Baskerville Wilkins**, Cincinnati,
OH (US); **Lindsey Christine**
Sunderhaus, Hamilton, OH (US);
Benjamin Patrick Landrum, San
Antonio, TX (US)

D495,949 S 9/2004 Rymer et al.
D520,873 S 5/2006 Lovell
D567,096 S 4/2008 Toh
D573,882 S 7/2008 Toh
D585,739 S 2/2009 Dombrowski et al.
D590,717 S 4/2009 Weber
D594,747 S 6/2009 Moretti
D603,707 S 11/2009 Lourenco et al.
D646,978 S 10/2011 Horowitz
D651,520 S 1/2012 Teitelbaum et al.

(Continued)

(73) Assignee: **The Procter & Gamble Company**,
Cincinnati, OH (US)

FOREIGN PATENT DOCUMENTS

JP D1246125 S 7/2005
JP D1406546 S 2/2011

(**) Term: **15 Years**

OTHER PUBLICATIONS

(21) Appl. No.: **29/627,645**

Conditioning Hair & Body Wash, posted on oldspice.com, oldest review dated Aug. 2, 2010, no production date given,[online], Available from Internet, URL: <https://oldspice.com/en/content/conditioning-hair-and-bodywash#ratings-reviews-wrapper>.

(22) Filed: **Nov. 29, 2017**

(Continued)

Related U.S. Application Data

(62) Division of application No. 29/559,757, filed on Mar. 31, 2016, now Pat. No. Des. 807,174.

(51) **LOC (11) Cl.** **09-07**

Primary Examiner — Sandra L Morris

(52) **U.S. Cl.**
USPC **D9/449**

(57) **CLAIM**

(58) **Field of Classification Search**
USPC D7/392.1; D9/600, 667, 669, 678, 434,
D9/441, 444-454; 206/494, 457, 459.1,
206/459.2; 220/890; 215/206, 260,
215/387-400
CPC B65D 67/00; B65D 81/36; B65D 41/00;
B65D 41/02; B65D 43/00; B65D 43/02
See application file for complete search history.

The ornamental design for a bottle cap, as shown and described.

DESCRIPTION

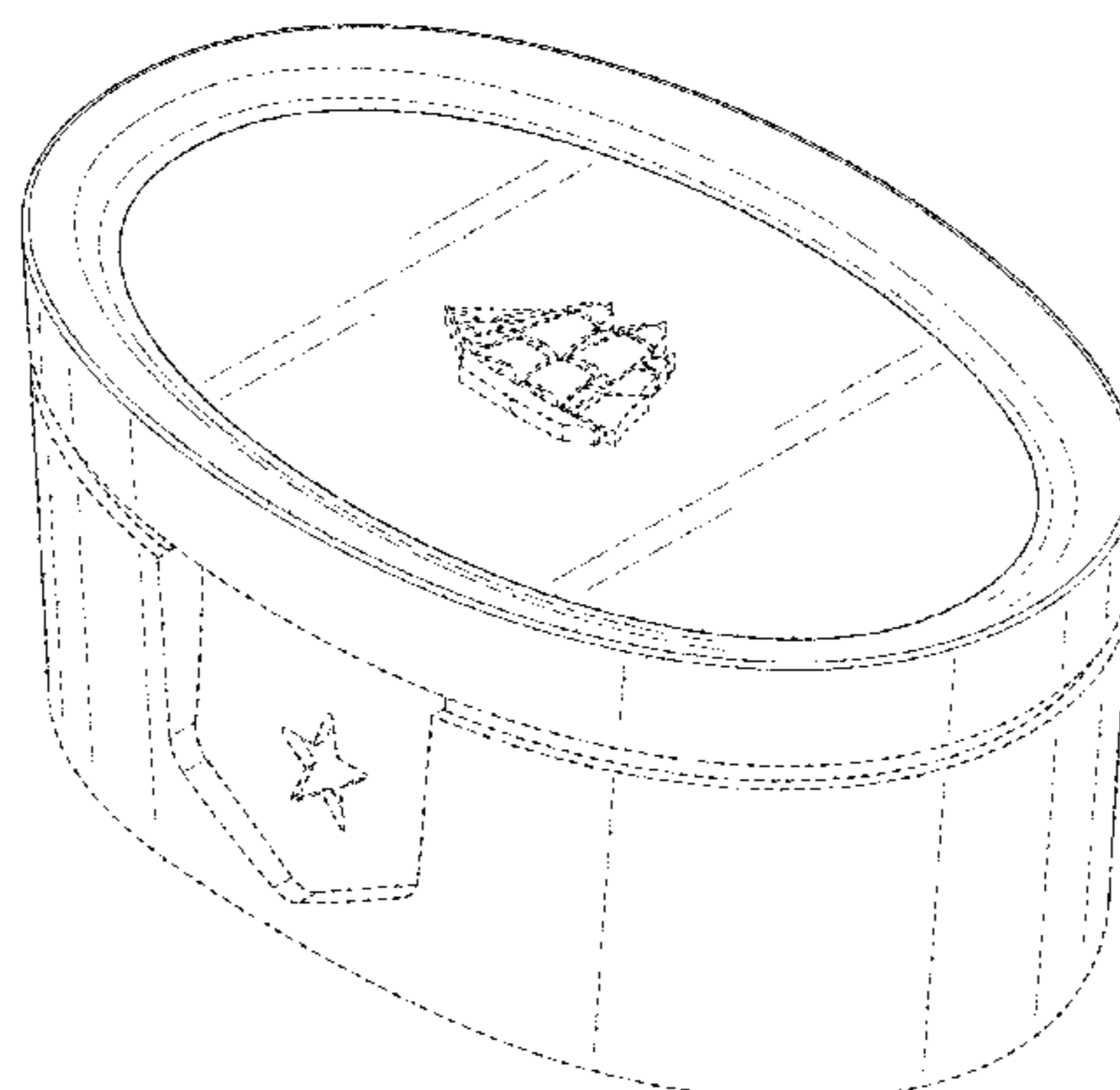
(56) **References Cited**

U.S. PATENT DOCUMENTS

D379,309 S 5/1997 Crawford
D414,650 S 10/1999 Lillelund et al.
6,039,224 A 3/2000 Dallas, Jr. et al.
D444,027 S 6/2001 Gilliam et al.

FIG. 1 is a front perspective view of a bottle cap of our new design;
FIG. 2 is a front view thereof;
FIG. 3 is a back view thereof;
FIG. 4 is a first side view thereof;
FIG. 5 is a second side view thereof;
FIG. 6 is a top view thereof; and,
FIG. 7 is a bottom view thereof.
The broken lines shown in the drawings are for illustrative purposes only and form no part of the claimed design.

1 Claim, 4 Drawing Sheets



(56)

References Cited

U.S. PATENT DOCUMENTS

D655,611 S 3/2012 Teitelbaum et al.
 D661,991 S 6/2012 Brummelhuis et al.
 D661,992 S 6/2012 Brummelhuis et al.
 D666,097 S 8/2012 Cummings et al.
 D670,172 S 11/2012 Bruscha et al.
 D670,566 S 11/2012 Teitelbaum et al.
 D671,414 S 11/2012 Teitelbaum et al.
 D683,226 S 5/2013 Baldrige et al.
 D685,269 S 7/2013 Macias Mejia et al.
 D701,122 S 3/2014 Brummelhuis et al.
 D711,231 S 8/2014 Pun
 D714,153 S 9/2014 Brewer et al.
 D715,655 S 10/2014 Brewer et al.
 D717,175 S 11/2014 Brewer et al.
 D722,272 S 2/2015 Brewer et al.
 D723,930 S 3/2015 Brewer et al.
 D726,541 S 4/2015 Xu et al.
 D726,542 S 4/2015 Xu et al.
 D733,361 S 6/2015 Welborn
 D736,620 S 8/2015 Markle et al.
 D742,228 S 11/2015 Dyer et al.
 D743,261 S 11/2015 Jordan et al.
 D746,692 S 1/2016 Alvarez de Cienfuegos
 Hernandez et al.
 D750,964 S 3/2016 Alvarez De Cienfuegos
 Hernandez et al.
 D750,965 S 3/2016 Alvarez De Cienfuegos
 Hernandez et al.
 D751,905 S 3/2016 Alvarez de Cienfuegos
 Hernandez et al.

D751,911 S 3/2016 Alvarez de Cienfuegos
 Hernandez et al.
 D752,441 S 3/2016 Alvarez De Cienfuegos
 Hernandez et al.
 D753,493 S 4/2016 Alvarez De Cienfuegos
 Hernandez et al.
 D758,869 S 6/2016 Blake et al.
 D758,872 S 6/2016 Blake et al.
 D760,082 S 6/2016 Baissero et al.
 D763,088 S 8/2016 Le Bonniec et al.
 D763,694 S 8/2016 Herman et al.
 D769,715 S 10/2016 Bois
 D776,539 S 1/2017 Jin
 D776,540 S 1/2017 Jin
 D781,153 S 3/2017 Blake et al.
 D789,796 S 6/2017 McSweeney et al.
 D805,392 S 12/2017 Wilkins et al.
 D807,174 S 1/2018 Wilkins et al.

OTHER PUBLICATIONS

Pantene Pro-V Color Preserve Volume Shampoo, posted on target.com, oldest review posted "one year ago", no production date given, [online], Available from Internet, URL: <http://www.target.com/p/pantene-pro-v-colorpreserve-volume-shampoo-21-1-fl-oz/-/A-14898206>.
 U.S. Appl. No. 29/625,396, filed Nov. 9, 2017, Guy Baskerville Wilkins et al.
 U.S. Appl. No. 29/559,755, filed Mar. 31, 2016, Guy Baskerville Wilkins et al.
 U.S. Appl. No. 29/646,389, filed May 3, 2018, Guy Baskerville Wilkins et al.
 U.S. Appl. No. 29/646,391, filed May 3, 2018, Guy Baskerville Wilkins et al.

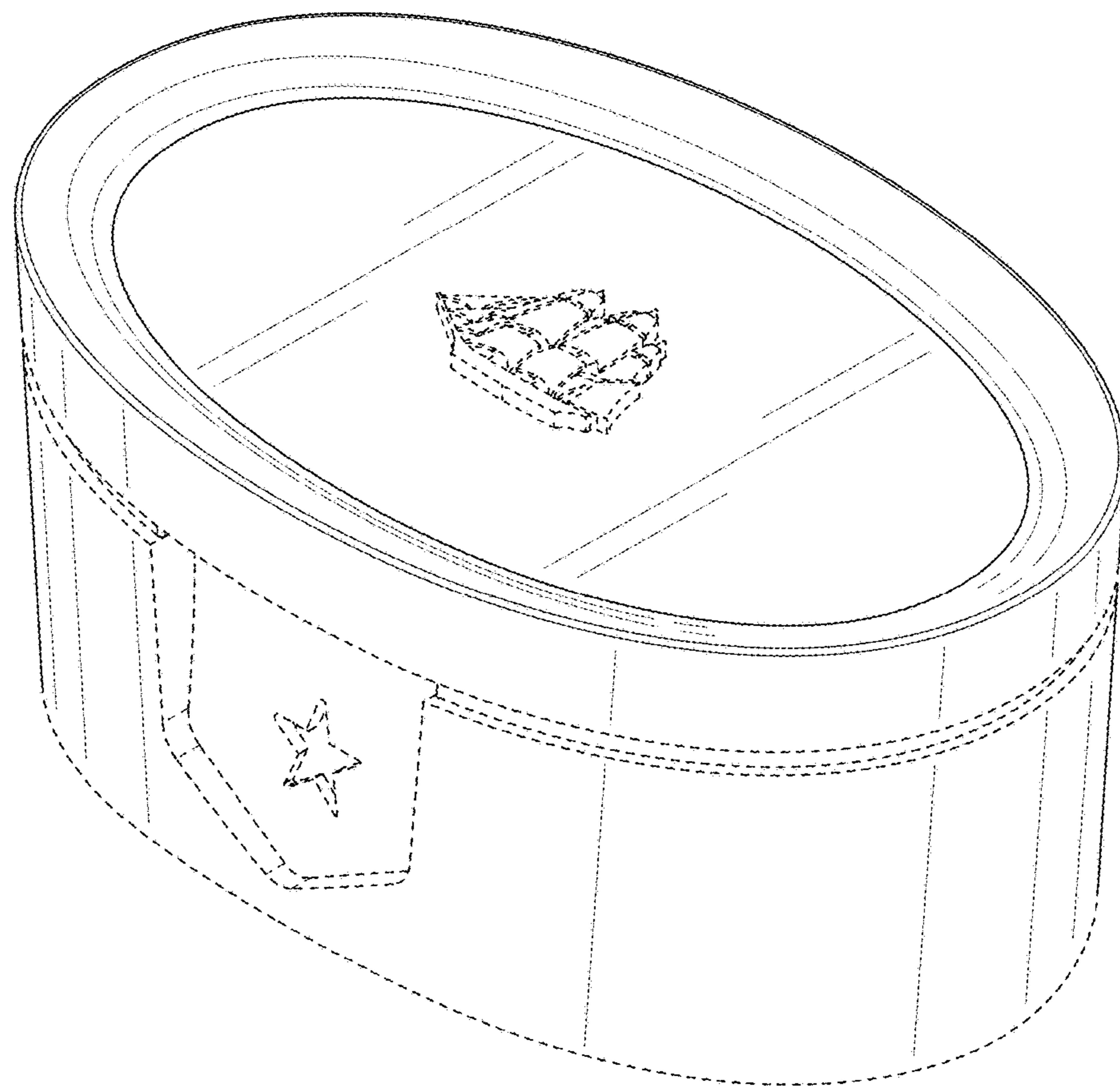


FIG. 1

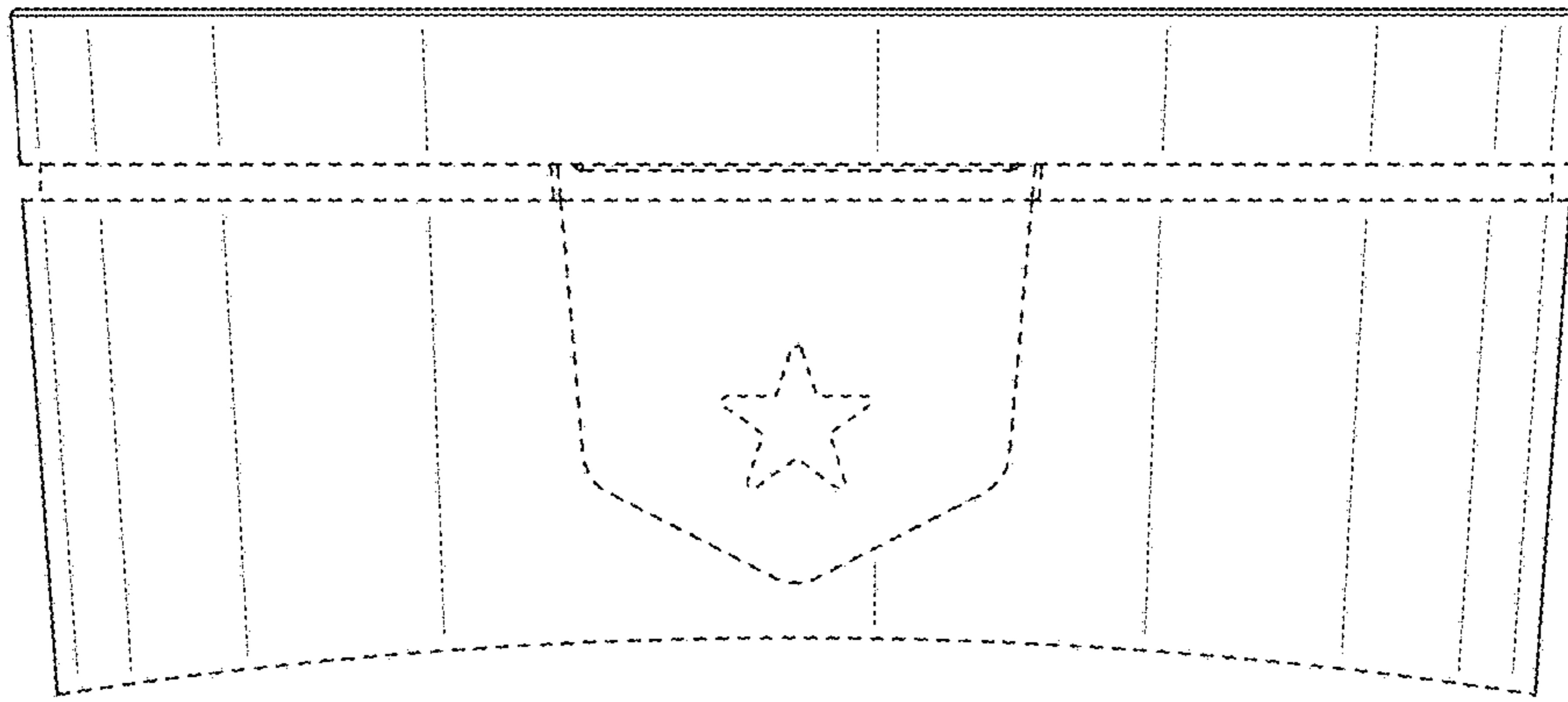


FIG. 2

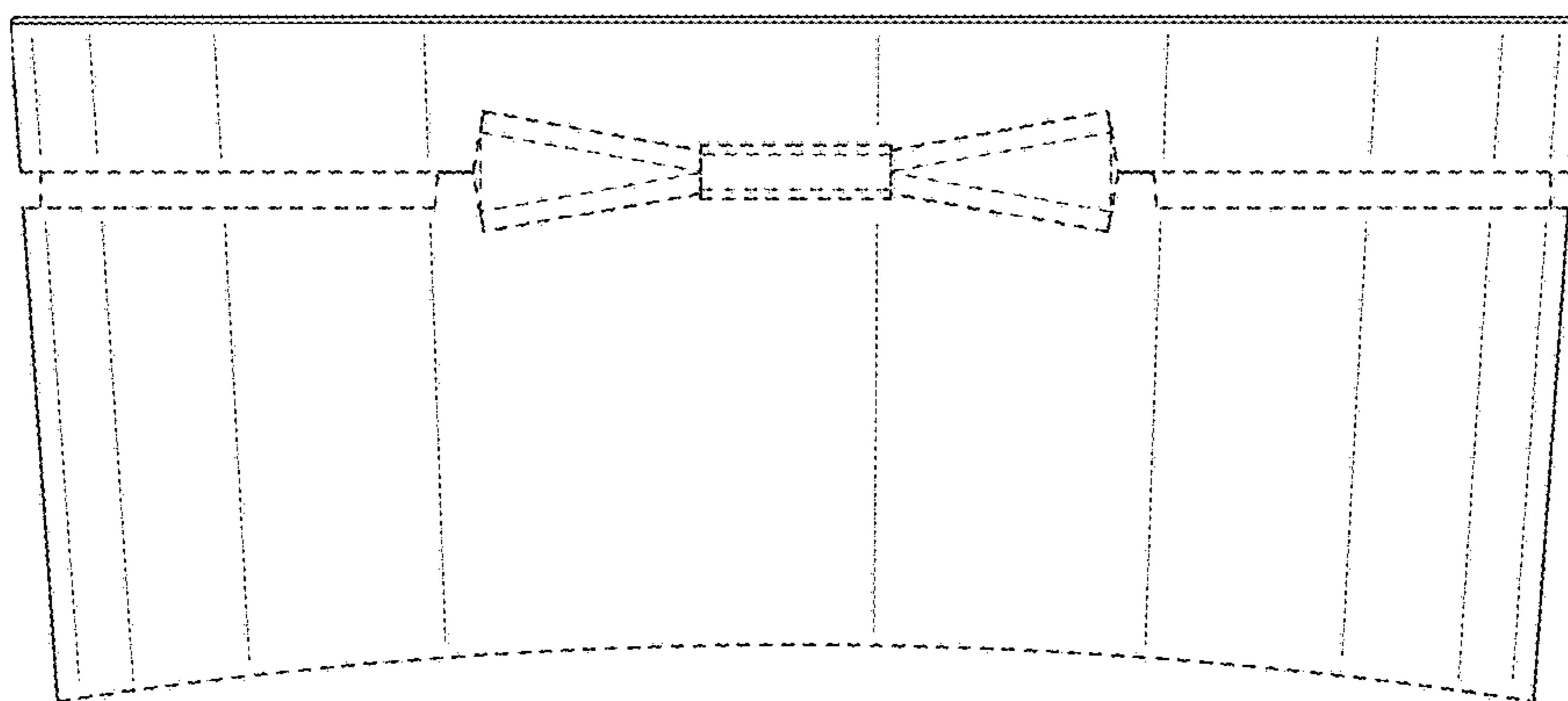


FIG. 3

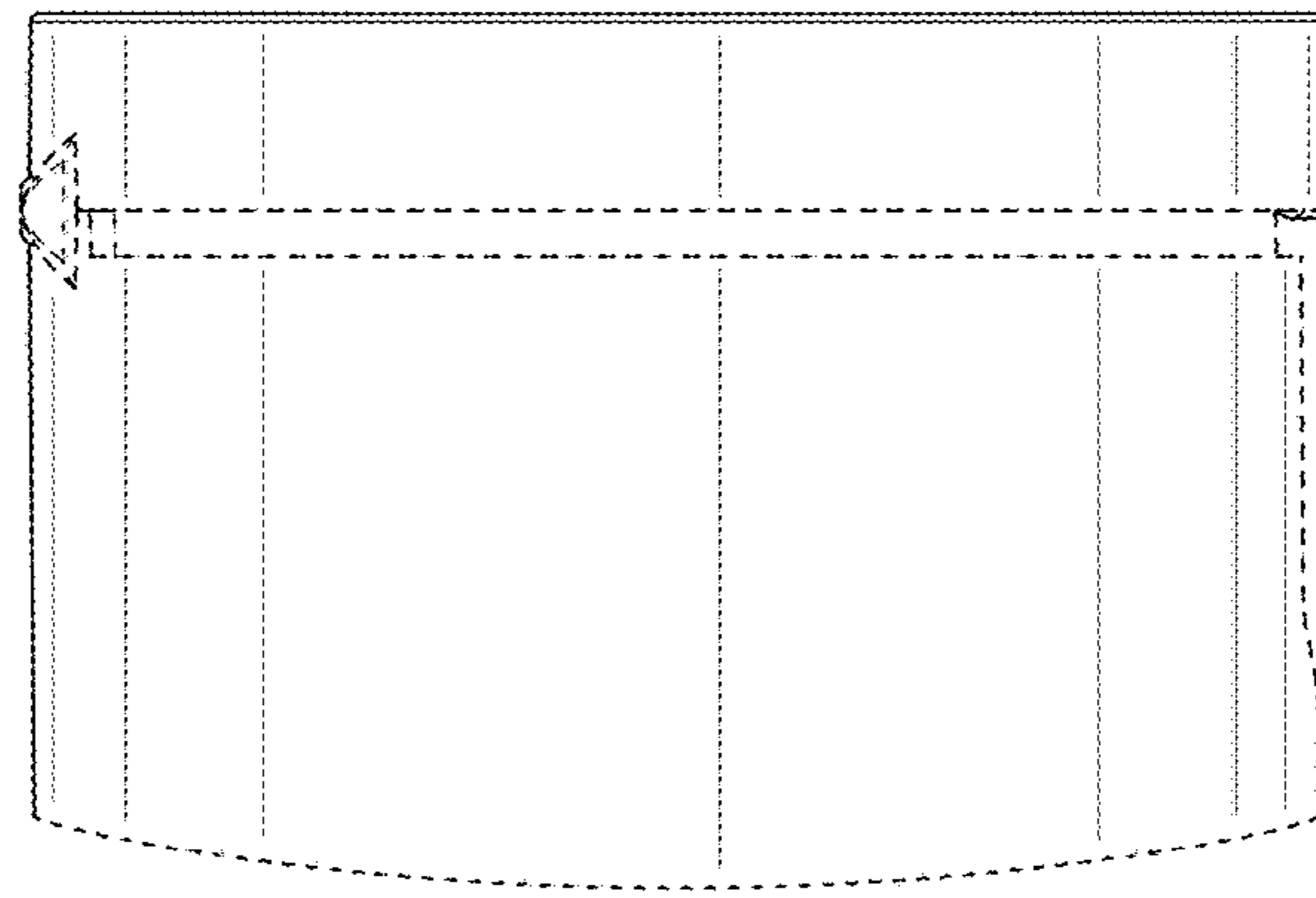


FIG. 4

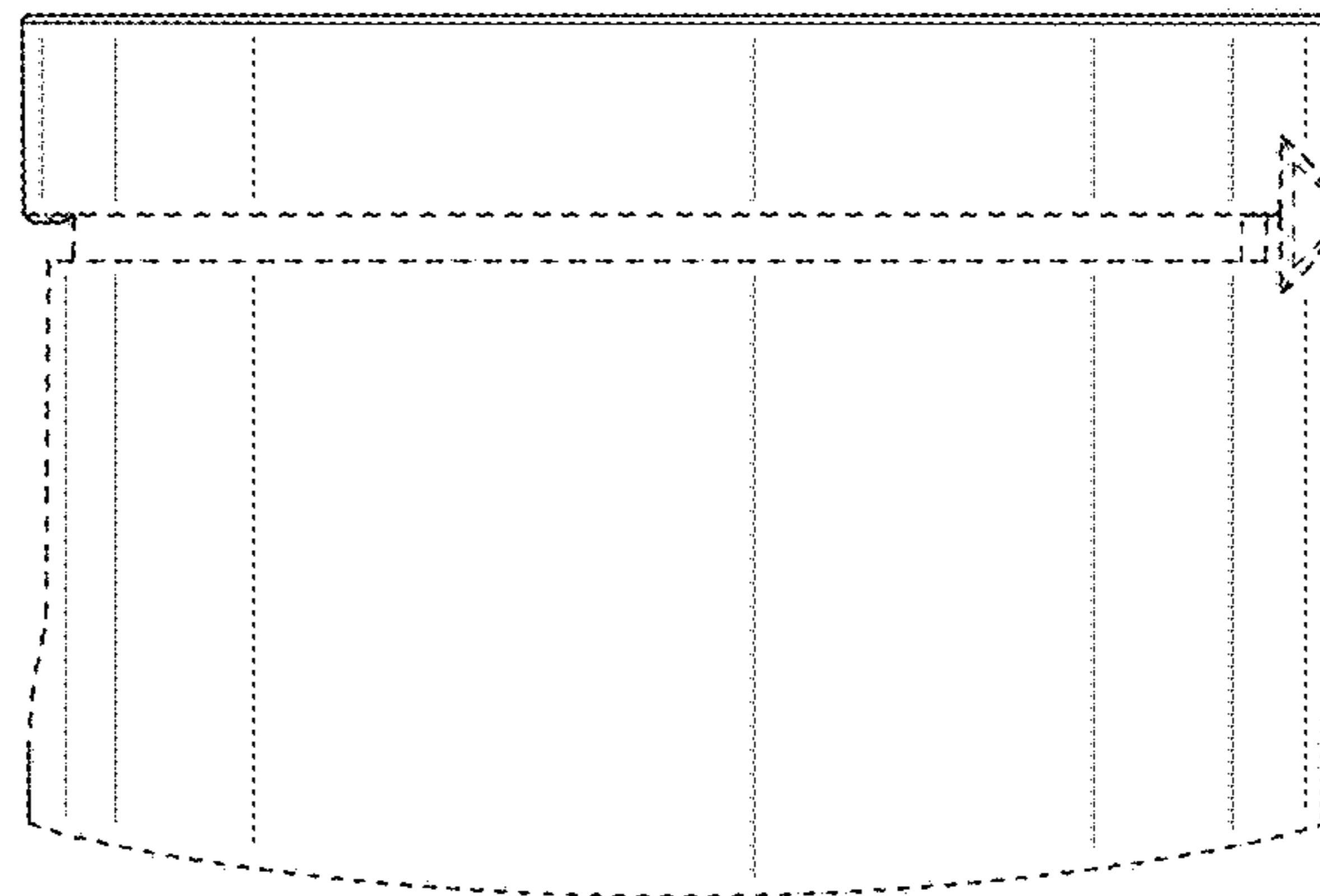


FIG. 5

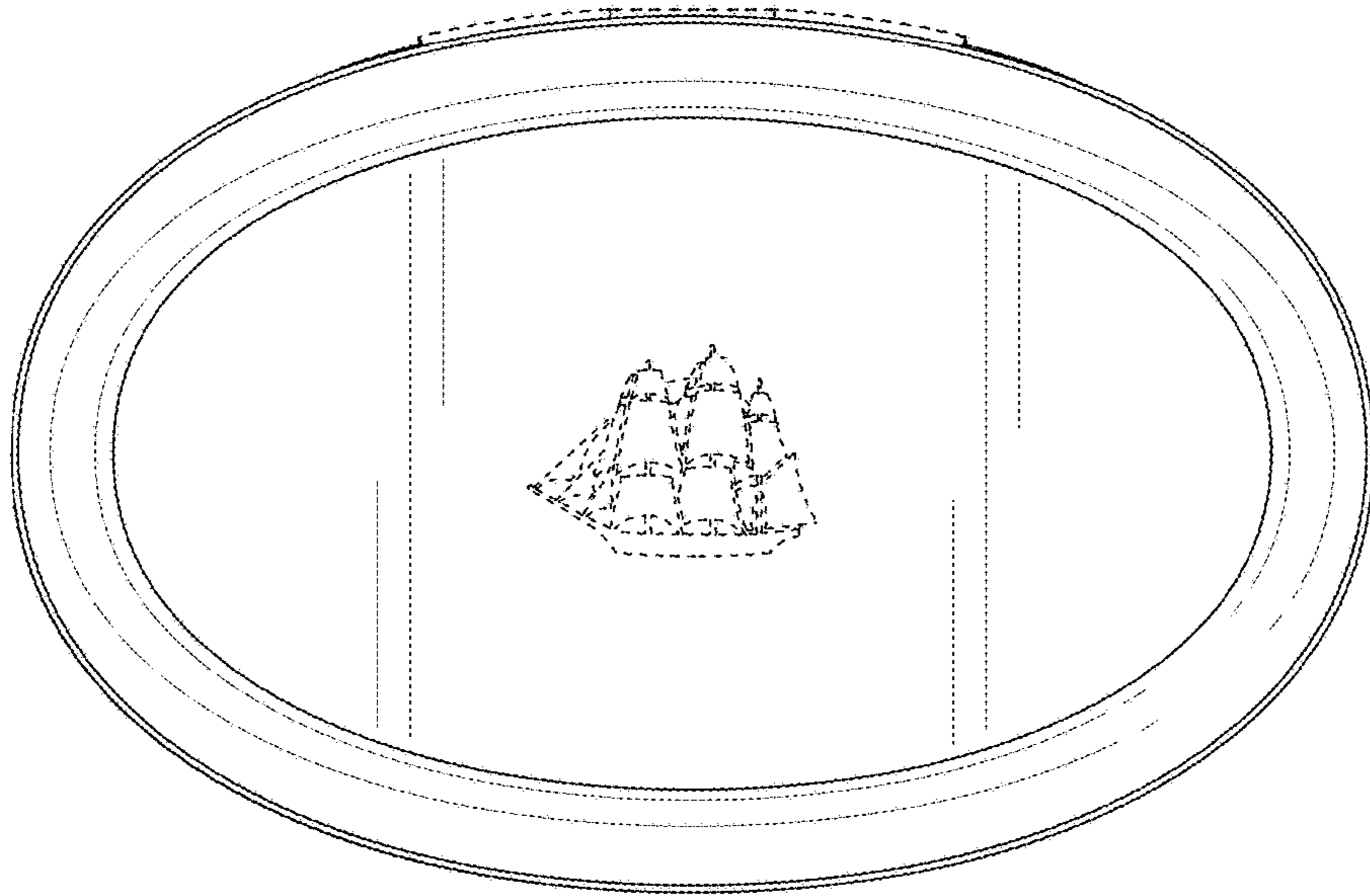


FIG. 6

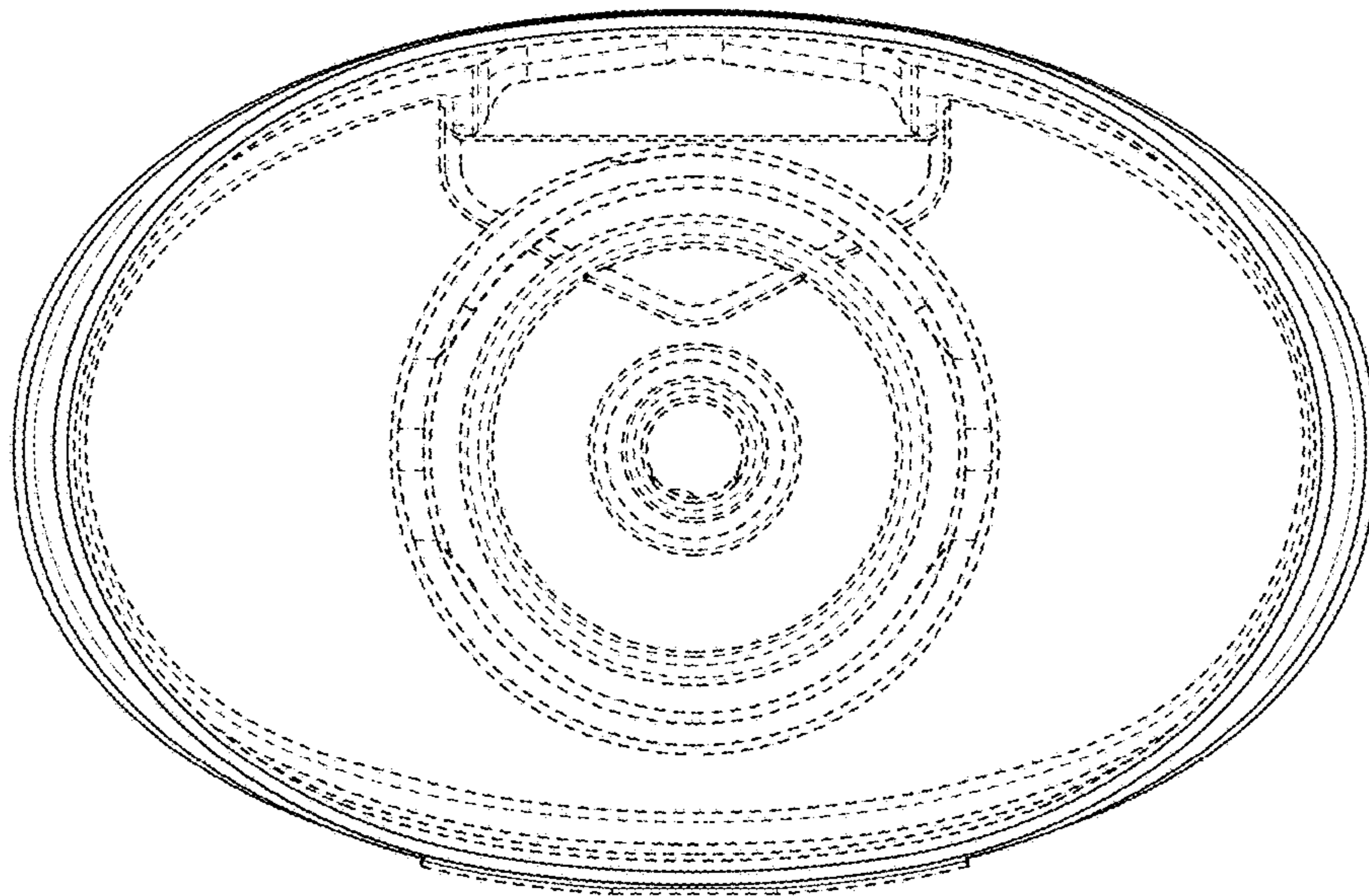


FIG. 7