



US00D848256S

(12) **United States Design Patent** (10) **Patent No.:** **US D848,256 S**
Tempel et al. (45) **Date of Patent:** **** May 14, 2019**

(54) **CONTAINER**

(71) Applicant: **Wells Enterprises, Inc.**, Le Mars, IA (US)

(72) Inventors: **Seth Tempel**, Evansville, IN (US);
Darin Koestring, Evansville, IN (US)

(73) Assignee: **Wells Enterprises, Inc.**, Le Mars, IA (US)

(**) Term: **15 Years**

(21) Appl. No.: **29/611,081**

(22) Filed: **Jul. 18, 2017**

(51) **LOC (11) Cl.** **09-03**

(52) **U.S. Cl.**
USPC **D9/425**

(58) **Field of Classification Search**
USPC D7/538-542, 602, 608, 629; D9/414,
D9/420, 424-426, 429, 432, 761;
206/501-509; 220/781, 791, 793,
220/811-813, 835, 839
CPC B65D 1/24; B65D 25/04; B65D 43/03;
B65D 43/16; B65D 43/0212
See application file for complete search history.

(56) **References Cited**

U.S. PATENT DOCUMENTS

D396,172 S	7/1998	Nask et al.	
D405,014 S	2/1999	Nask et al.	
D416,797 S *	11/1999	Rabe	D9/431
D514,931 S *	2/2006	Snedden	D9/418
D528,412 S *	9/2006	Snedden	D9/418
D568,693 S *	5/2008	Furlong	D7/629
D624,817 S	10/2010	Fisher et al.	
D656,815 S	4/2012	Fisher et al.	
D672,615 S *	12/2012	Stamper	D7/602
D673,009 S *	12/2012	Stamper	D7/602
D702,509 S *	4/2014	Segal	D7/629

D739,723 S	9/2015	Dorfman et al.	
D741,706 S *	10/2015	Astorga	D9/425
2011/0272318 A1 *	11/2011	Gallop	B65D 1/265 206/518

* cited by examiner

Primary Examiner — Derrick E Holland

Assistant Examiner — Janice Patyk

(74) *Attorney, Agent, or Firm* — Neal, Gerber & Eisenberg LLP

(57) **CLAIM**

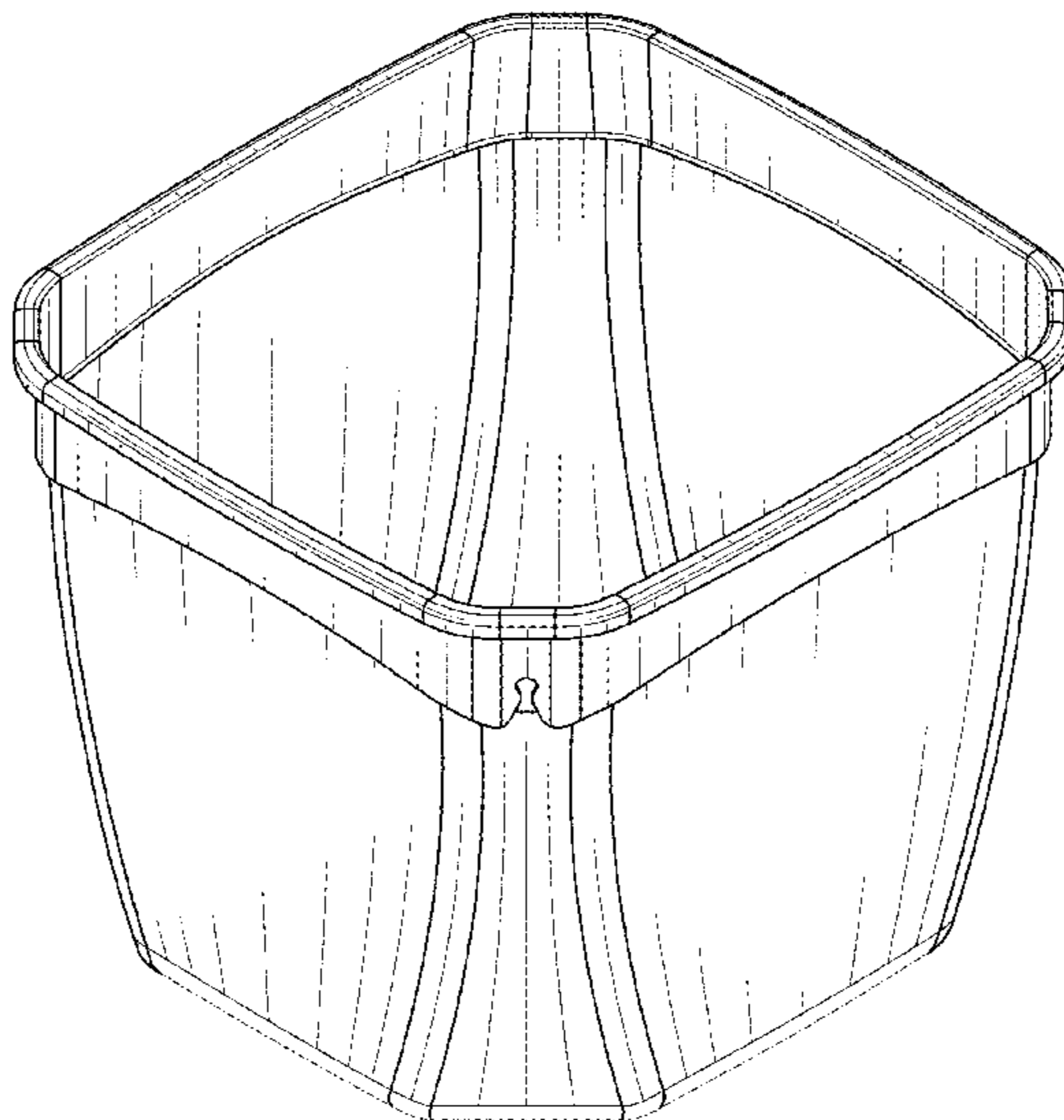
The ornamental design for a container, as shown and described herein.

DESCRIPTION

FIG. 1 is a top perspective view of a container, showing our new design;
FIG. 2 is a bottom view thereof;
FIG. 3 is a top view thereof;
FIG. 4 is a side view thereof, and the opposite side view being a mirror image thereof;
FIG. 5 is a front view thereof, and the rear view being a mirror image thereof;
FIG. 6 is a cross sectional view thereof, taken along the line 6-6 of FIG. 3; and,
FIG. 7 is a partially enlarged view thereof, take from FIG. 6.

The broken lines in the figures illustrate the portions of the design that form no part of the claimed design. The dot-dash broken lines immediately adjacent to the claimed areas in the views represent the boundaries of the design and form no part thereof. The broken lines of FIG. 7 are included to show a partially enlarged view only and form no part of the claimed design. None of the broken lines form any part of the claimed design.

1 Claim, 6 Drawing Sheets



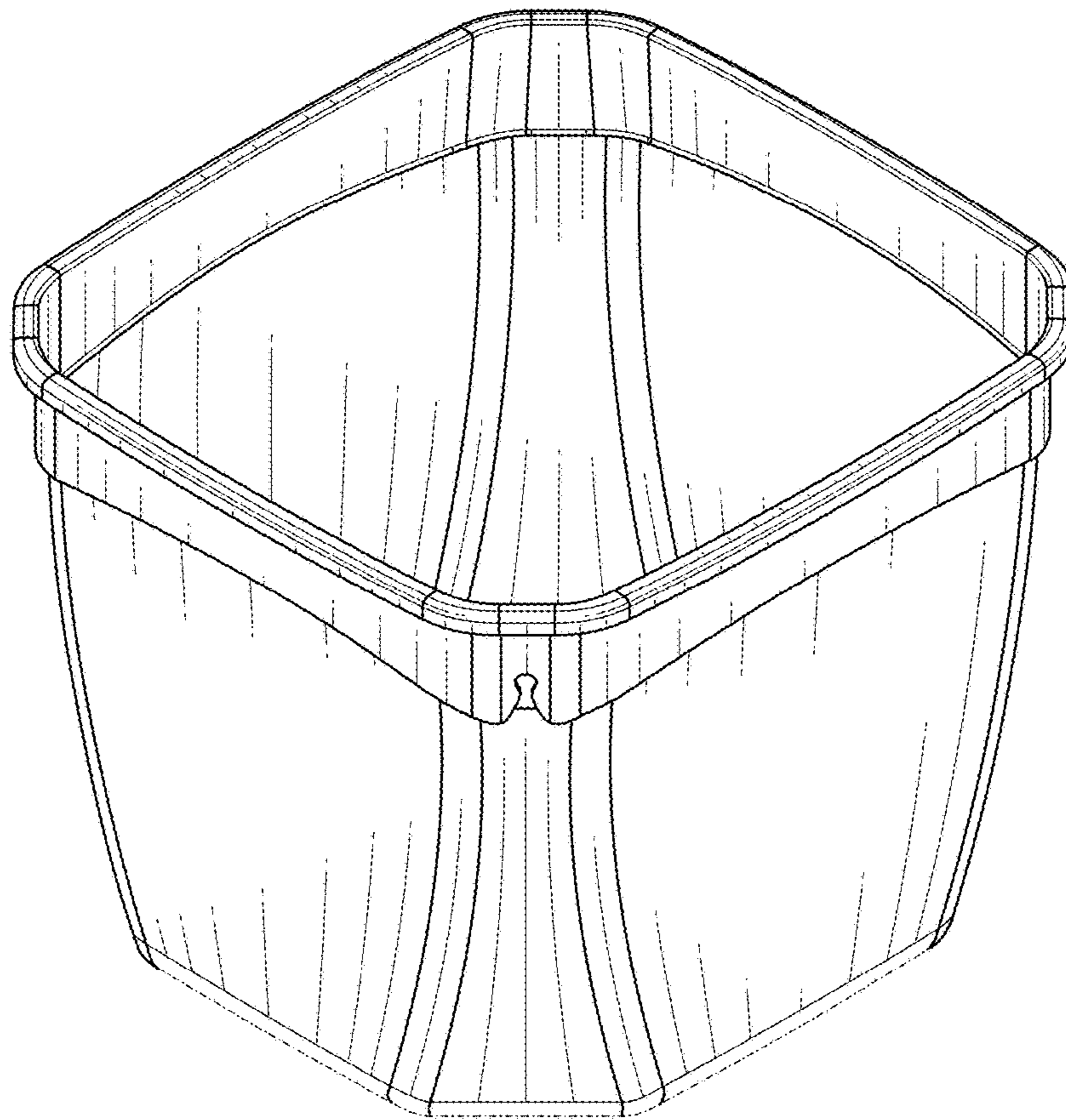


FIG. 1

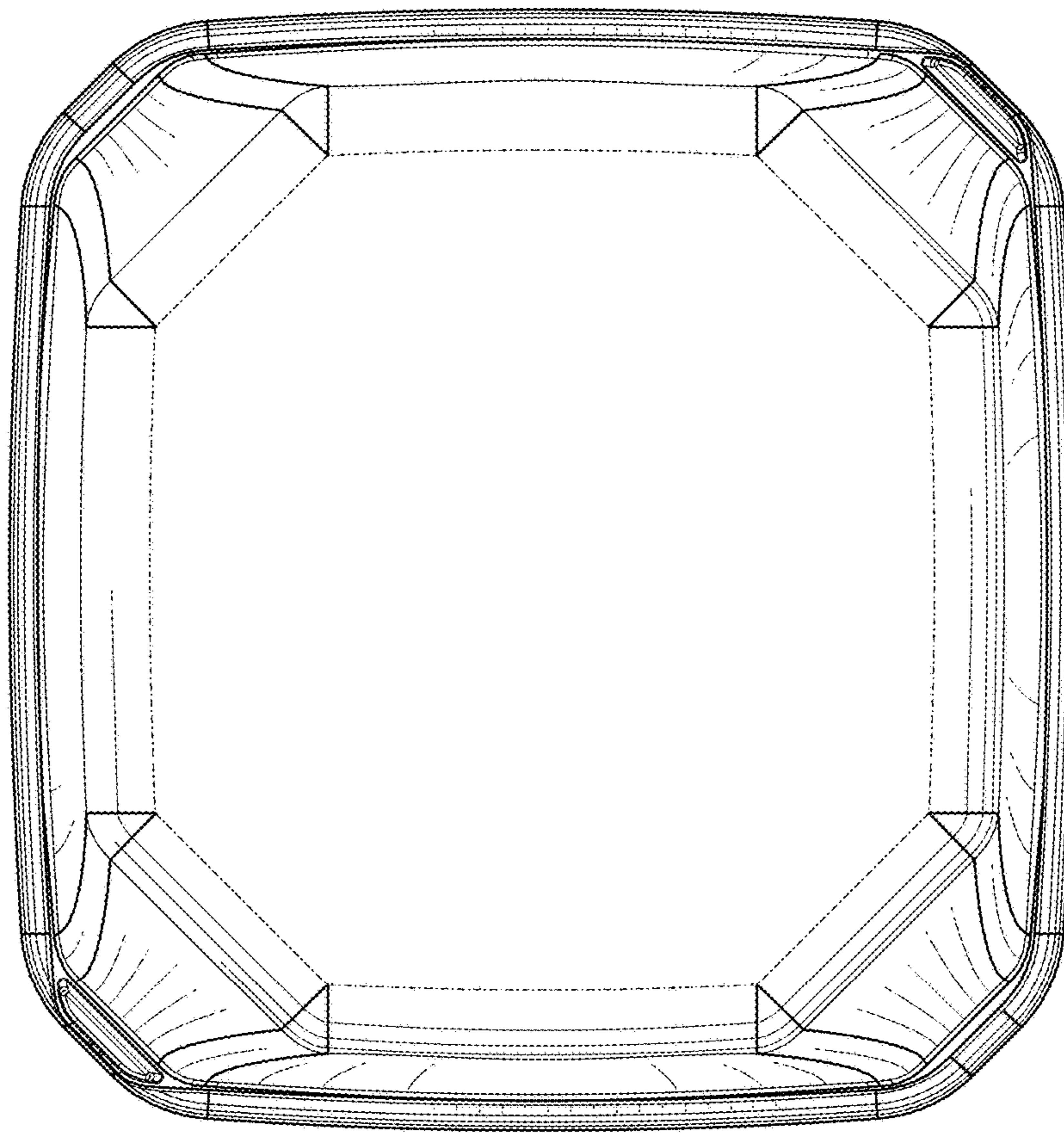


FIG. 2

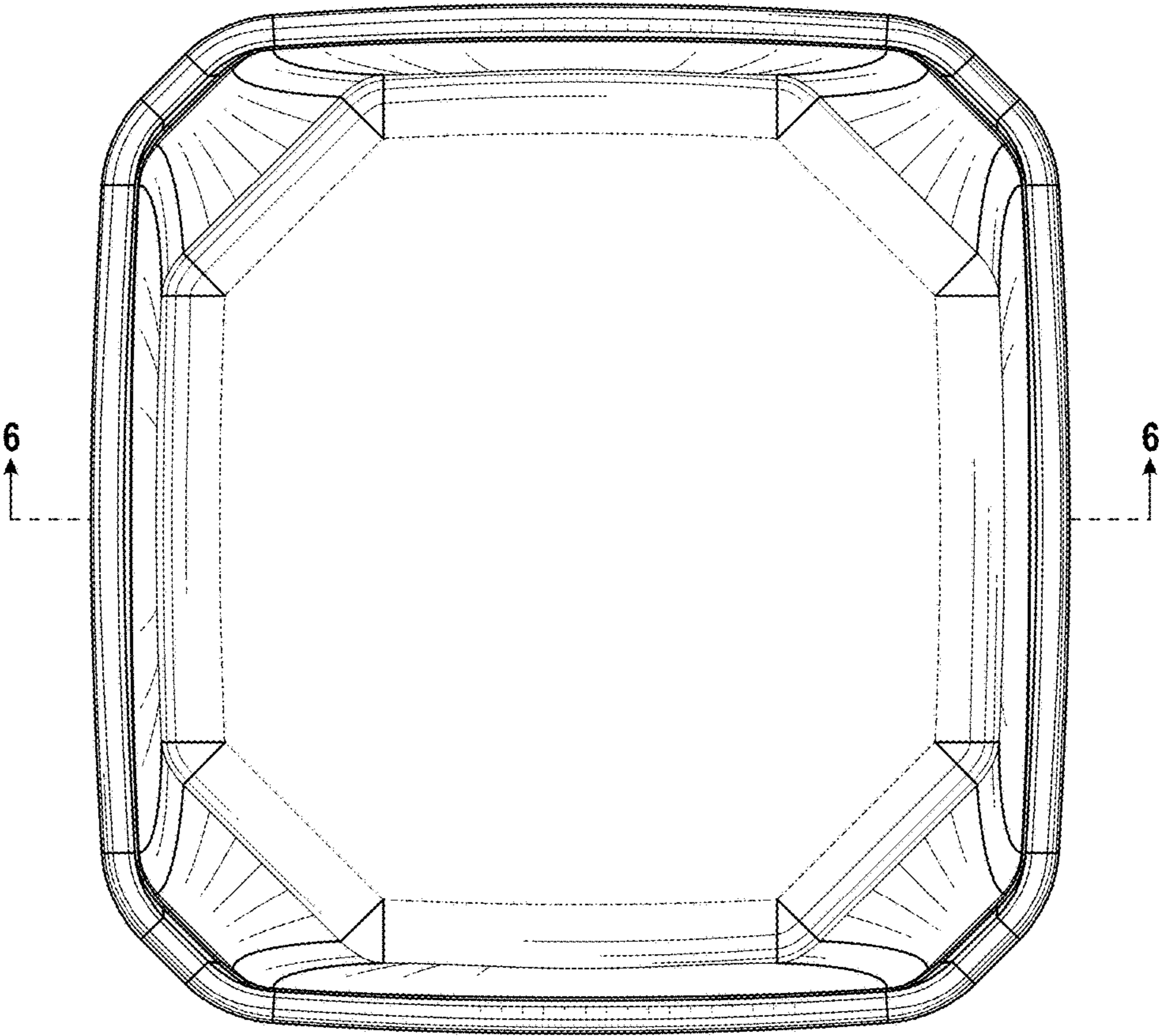


FIG. 3

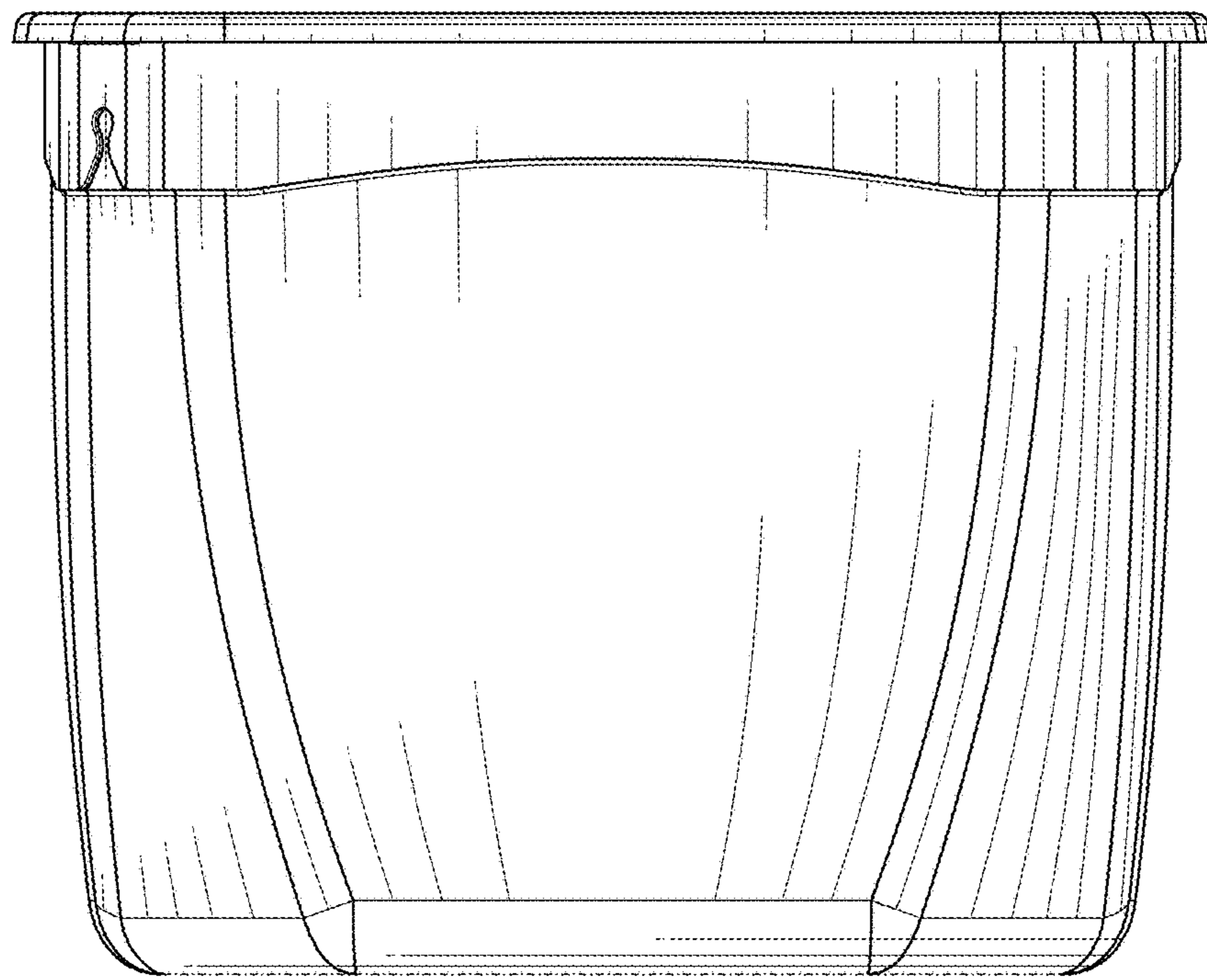


FIG. 4

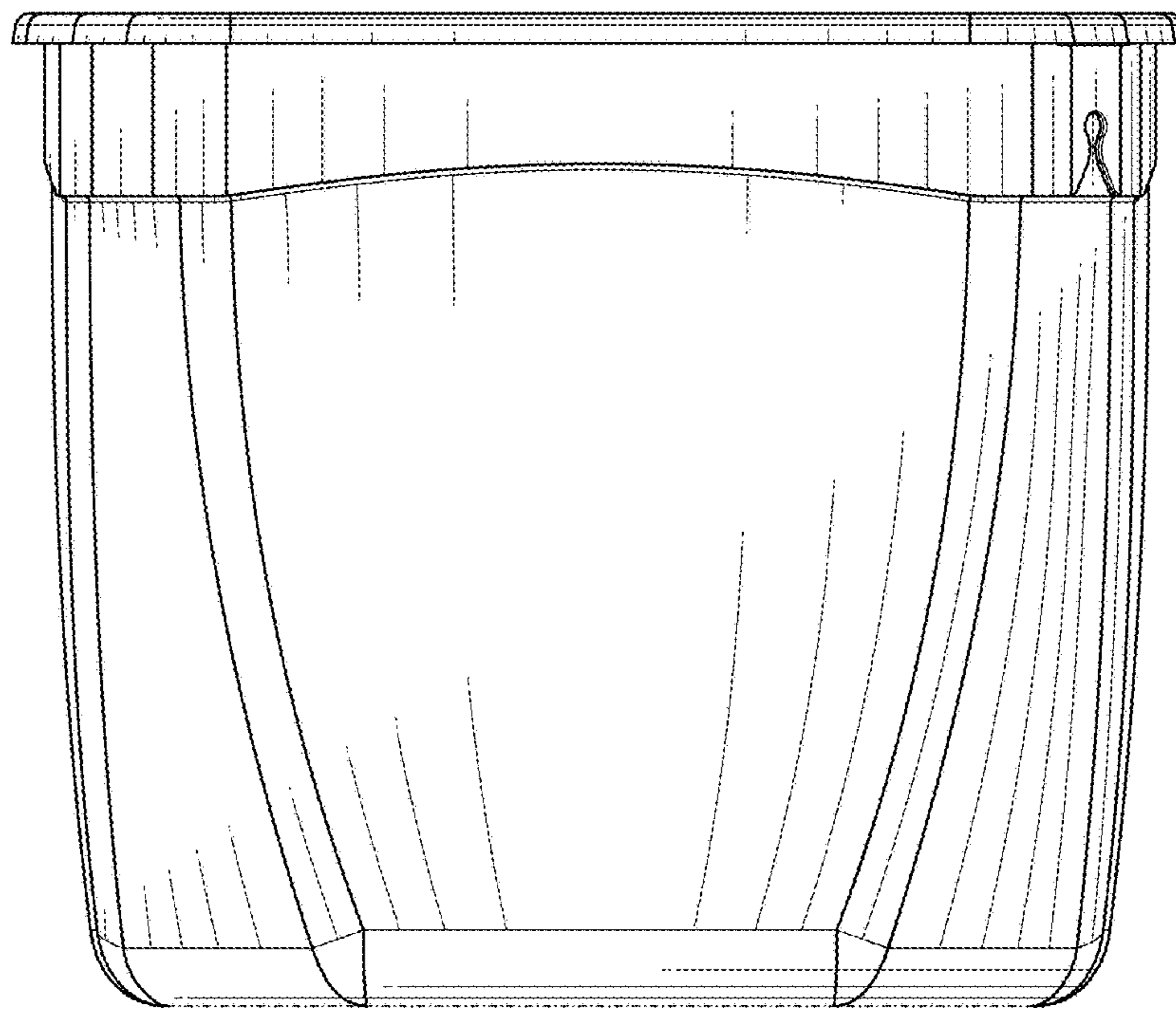


FIG. 5

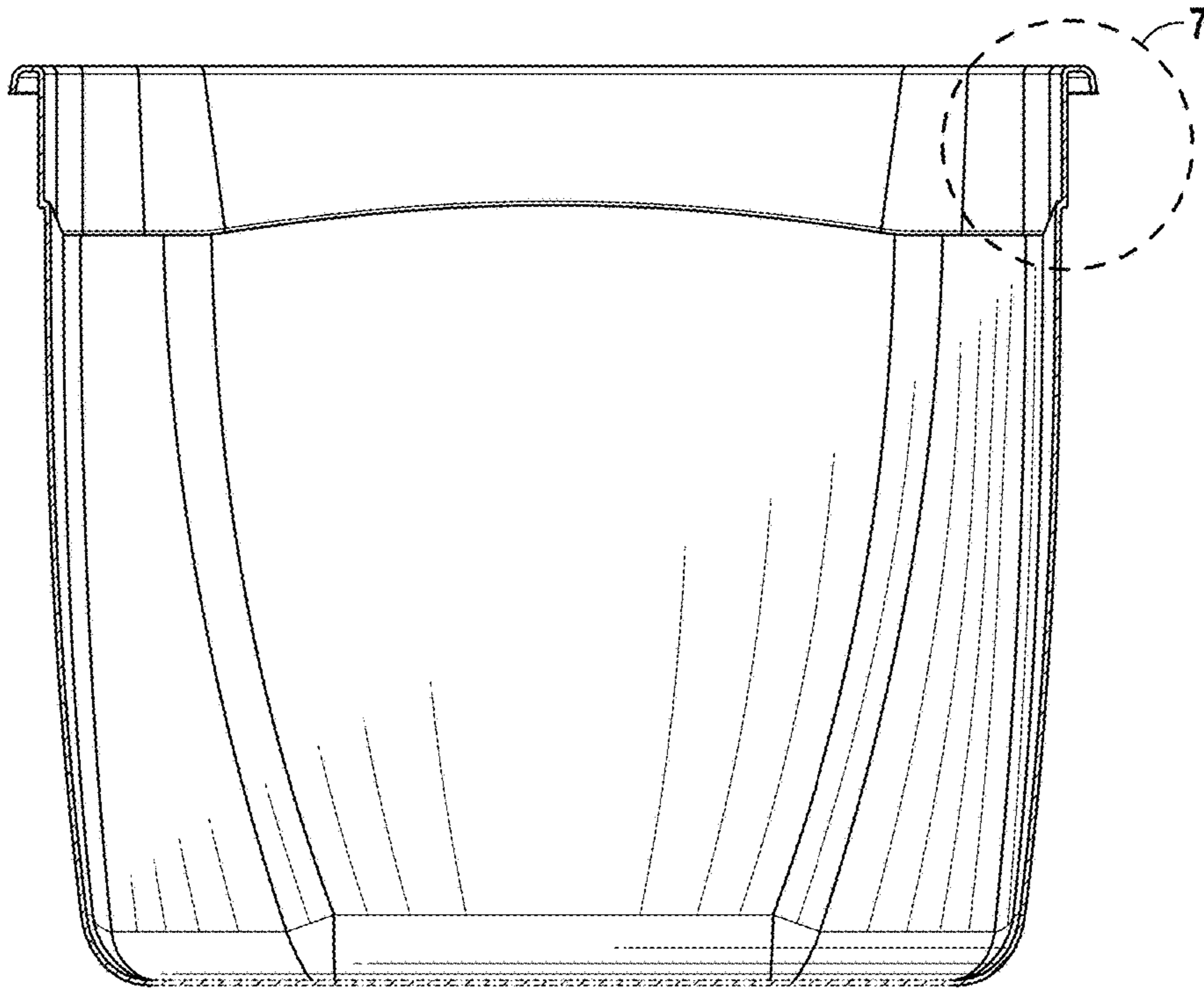


FIG. 6

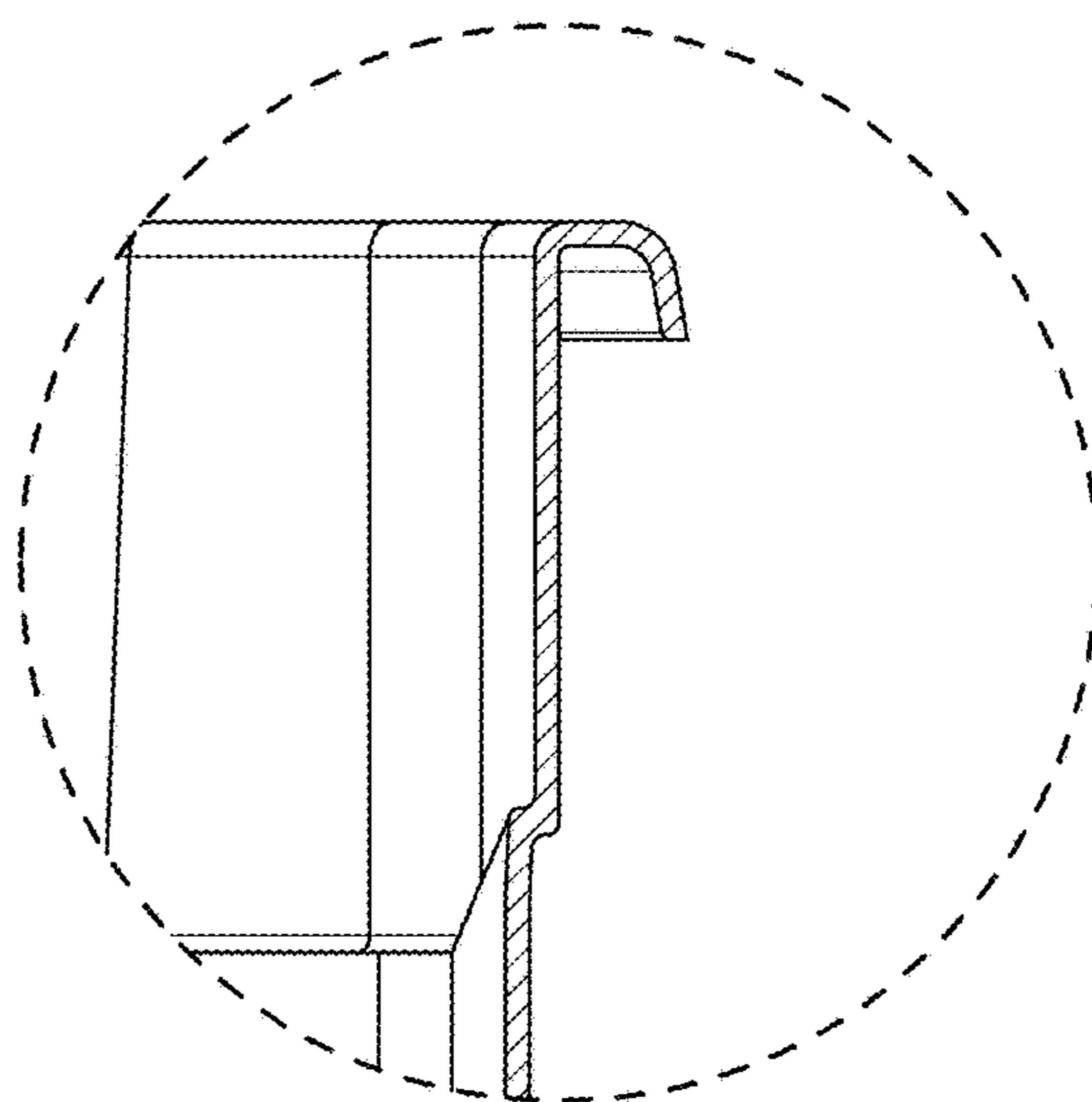


FIG. 7