



US00D848255S

(12) **United States Design Patent**  
**Pham et al.**

(10) **Patent No.:** **US D848,255 S**

(45) **Date of Patent:** **\*\* May 14, 2019**

(54) **HAND STRAP DEVICE**

(71) Applicant: **Mobile Tech, Inc.**, Lake Oswego, OR (US)

(72) Inventors: **Hoa Pham**, Hillsboro, OR (US); **Eric Charlesworth**, Forest Grove, OR (US)

(73) Assignee: **MOBILE TECH, INC.**, Lake Oswego, OR (US)

(\*\*) Term: **15 Years**

(21) Appl. No.: **29/618,742**

(22) Filed: **Sep. 22, 2017**

(51) **LOC (11) Cl.** ..... **08-08**

(52) **U.S. Cl.**  
USPC ..... **D8/394**

(58) **Field of Classification Search**  
USPC ..... D14/300-302, 308-313, 314, 348,  
D14/353-355, 432, 439-446, 447, 451;  
361/679.02, 679.31, 679.5, 690, 694,  
361/679.23, 801, 802; 312/332.1, 334.1;  
D19/65, 91; D3/218; D8/354, 373, 394;  
D12/193; 248/203.2  
CPC ..... A45C 11/00; A45C 2011/003; B60R  
11/0241; B60R 11/0252; F16M 13/00;  
F16M 11/00

See application file for complete search history.

(56) **References Cited**

**U.S. PATENT DOCUMENTS**

D213,972 S \* 4/1969 Anderson ..... D2/627  
D214,151 S \* 5/1969 Merser ..... D11/200  
D244,255 S \* 5/1977 Snyder ..... D12/223  
D305,977 S \* 2/1990 Ono ..... D8/382

D313,547 S \* 1/1991 Buckles ..... D8/373  
D343,266 S \* 1/1994 Gromer ..... D32/54  
D363,877 S \* 11/1995 Dee ..... D8/373  
D368,652 S \* 4/1996 Stanley ..... D8/394  
D414,213 S \* 9/1999 Yates ..... D20/42  
D414,264 S \* 9/1999 Weller ..... D24/105  
D705,697 S \* 5/2014 Krenkler ..... D11/221  
D723,361 S \* 3/2015 Adams ..... D8/383  
D729,054 S \* 5/2015 Chen ..... D8/356

\* cited by examiner

*Primary Examiner* — David G Muller

*Assistant Examiner* — Nathan M Johnston

(74) *Attorney, Agent, or Firm* — Thompson Coburn LLP

(57) **CLAIM**

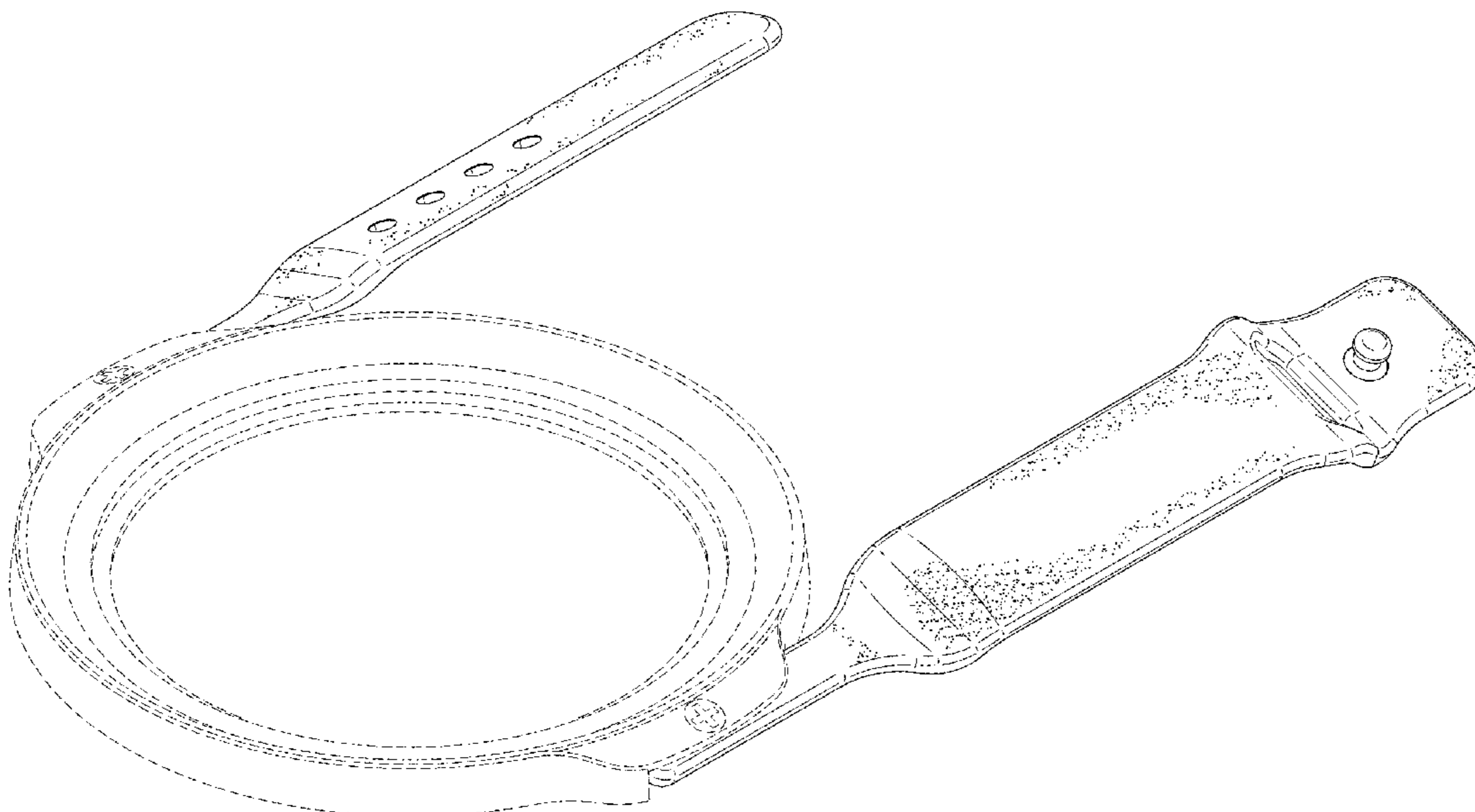
The ornamental design for a hand strap device, as shown and described.

**DESCRIPTION**

FIG. 1 is a front, top perspective view of a hand strap device showing our new design in its environment;  
FIG. 2 is a front elevation view thereof;  
FIG. 3 is a rear elevation view thereof;  
FIG. 4 is a right side elevation view thereof;  
FIG. 5 is a left side elevation view thereof;  
FIG. 6 is a top plan view thereof;  
FIG. 7 is a bottom plan view thereof;  
FIG. 8 is a rear, bottom perspective view thereof;  
FIG. 9 is an exploded view thereof shown separately for ease of illustration; and,  
FIG. 10 is a front, top perspective view of the hand strap device in use.

The features shown in broken lines depict environment subject matter only and form no part of the claimed design.

**1 Claim, 8 Drawing Sheets**



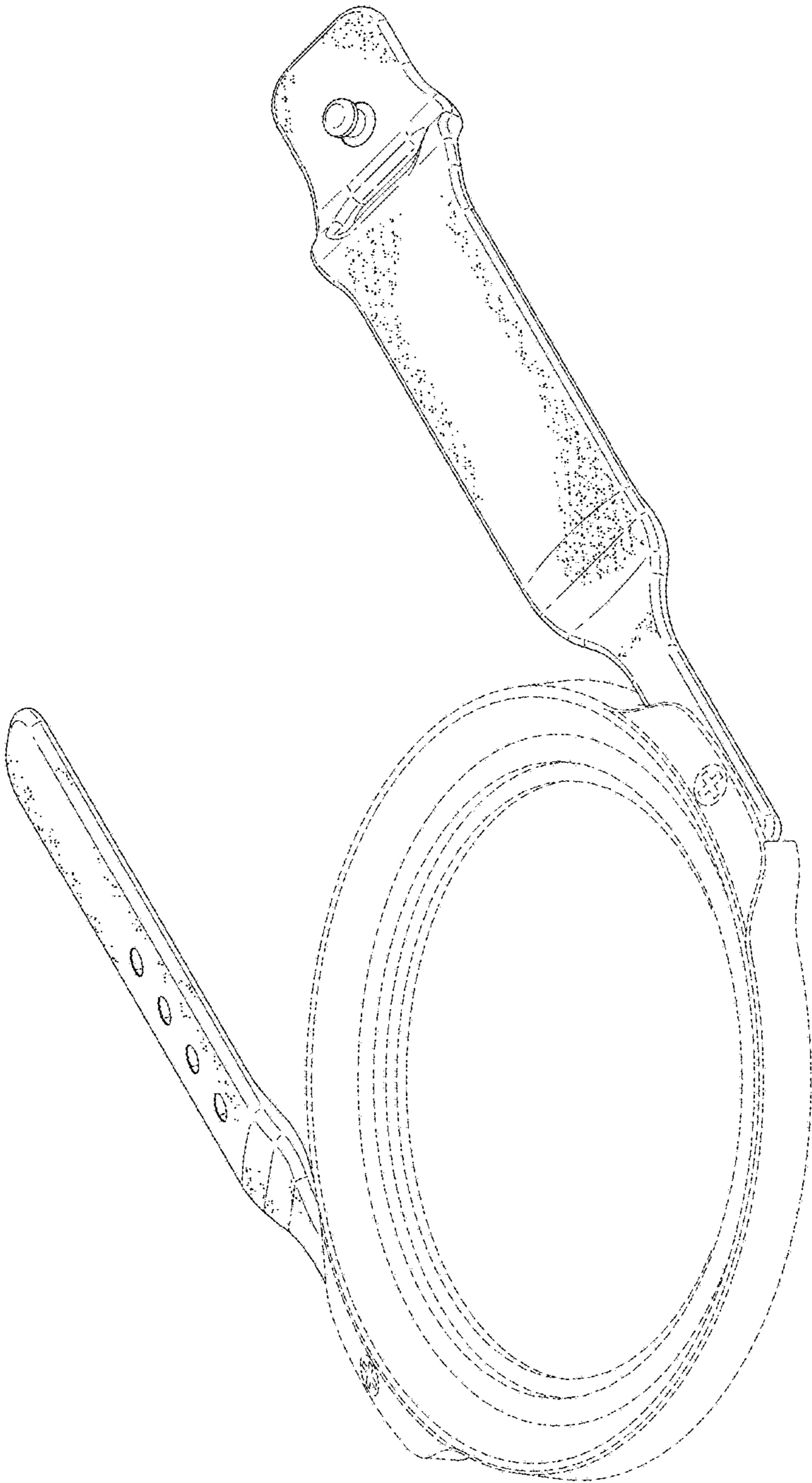


FIG. 1

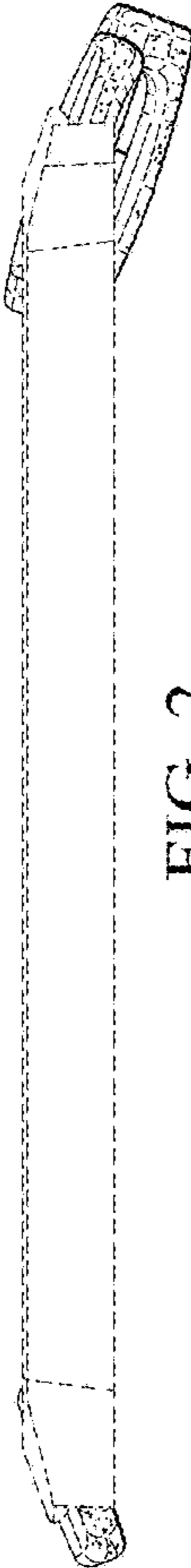


FIG. 2

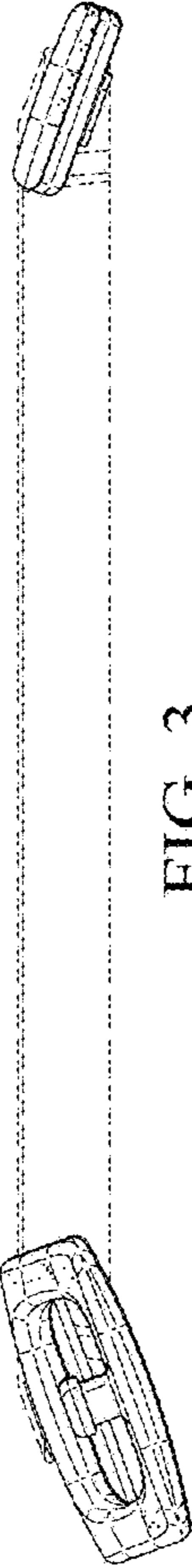


FIG. 3



FIG. 4

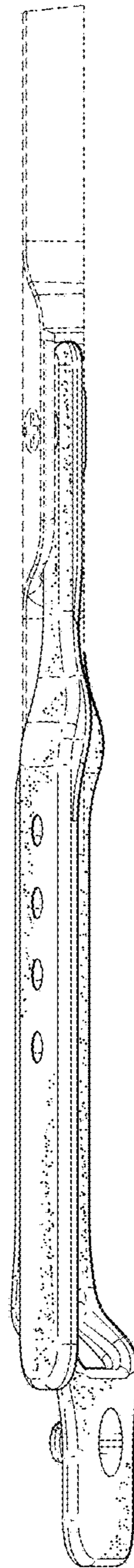


FIG. 5

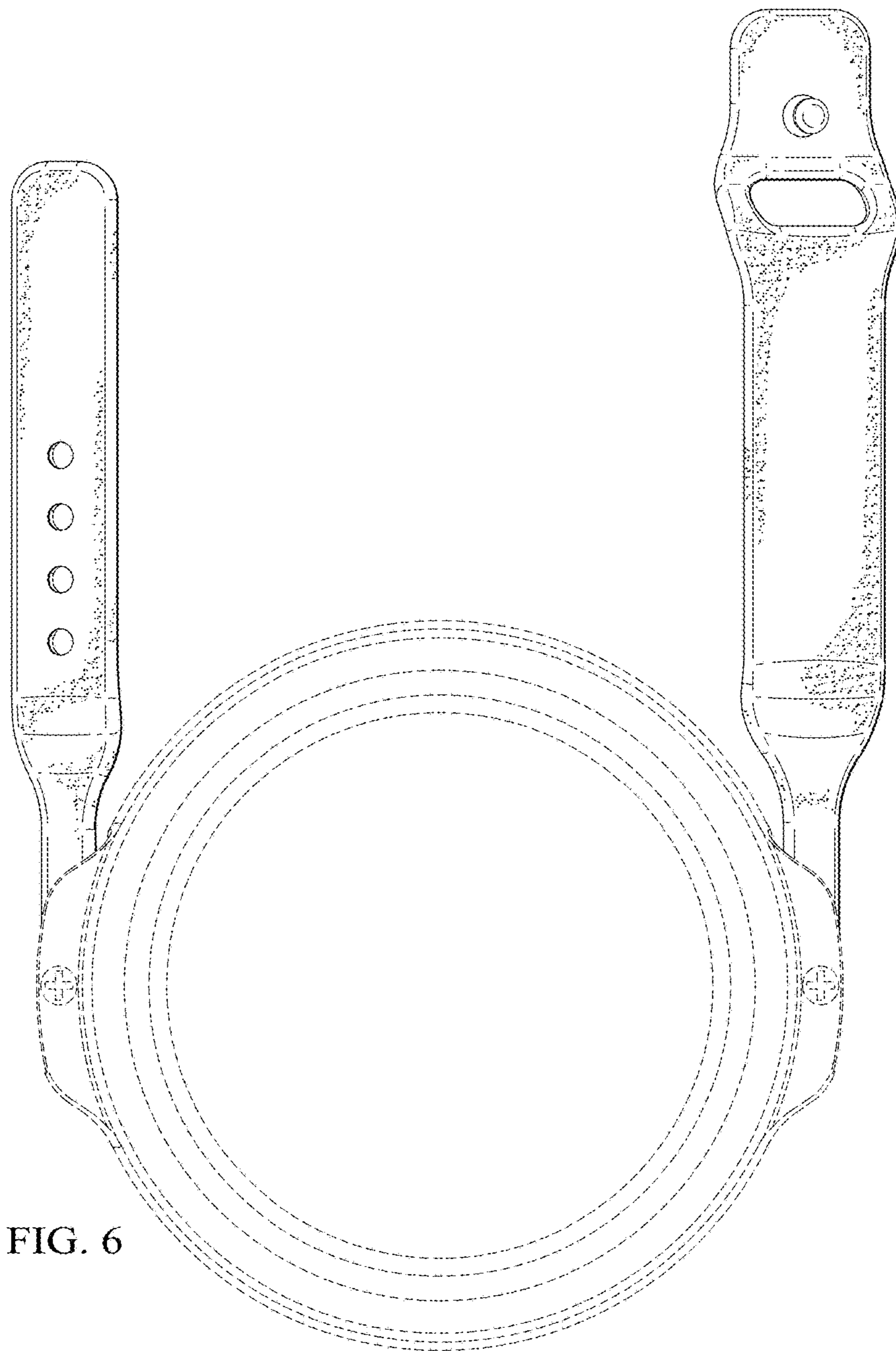


FIG. 6

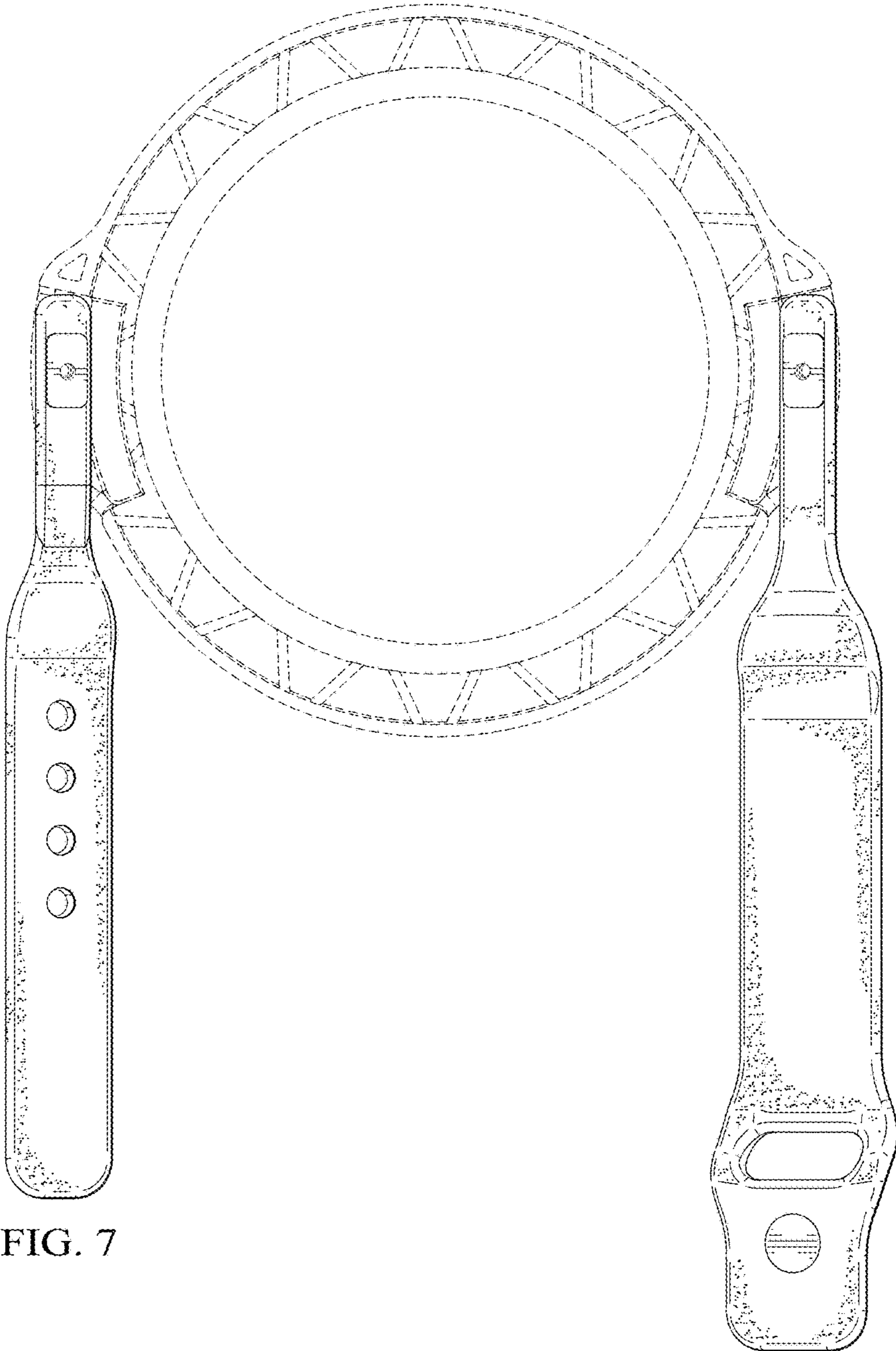


FIG. 7

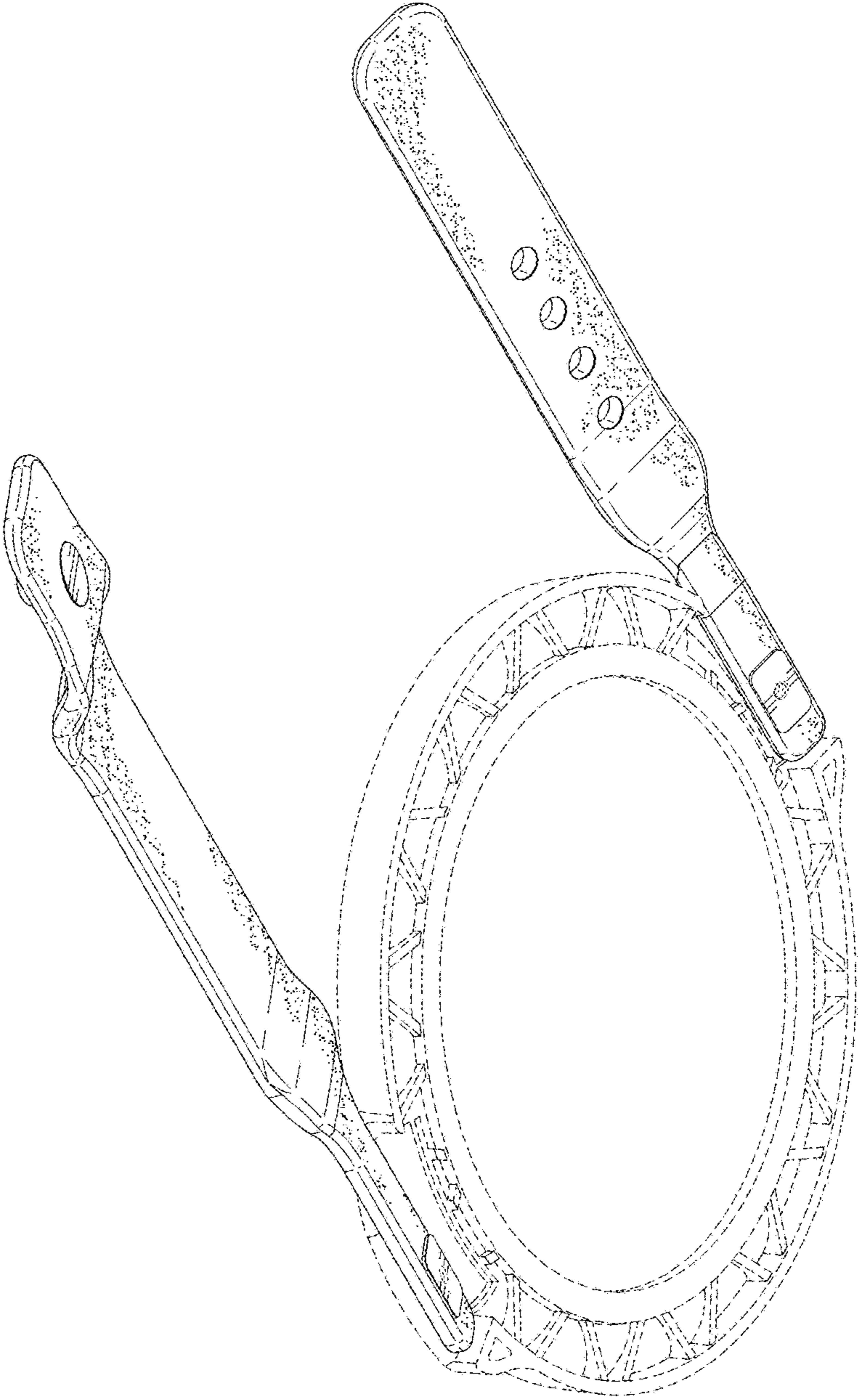


FIG. 8

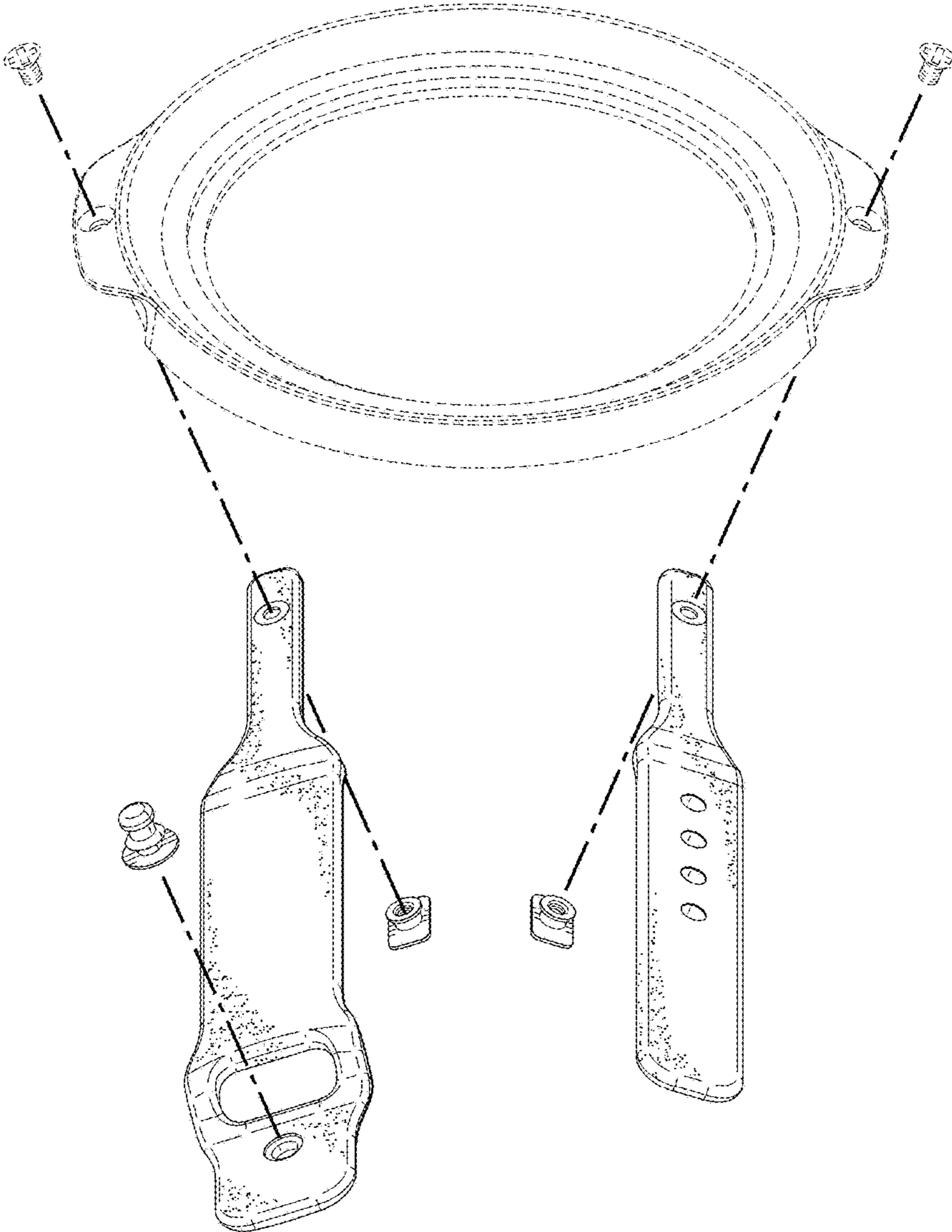


FIG. 9



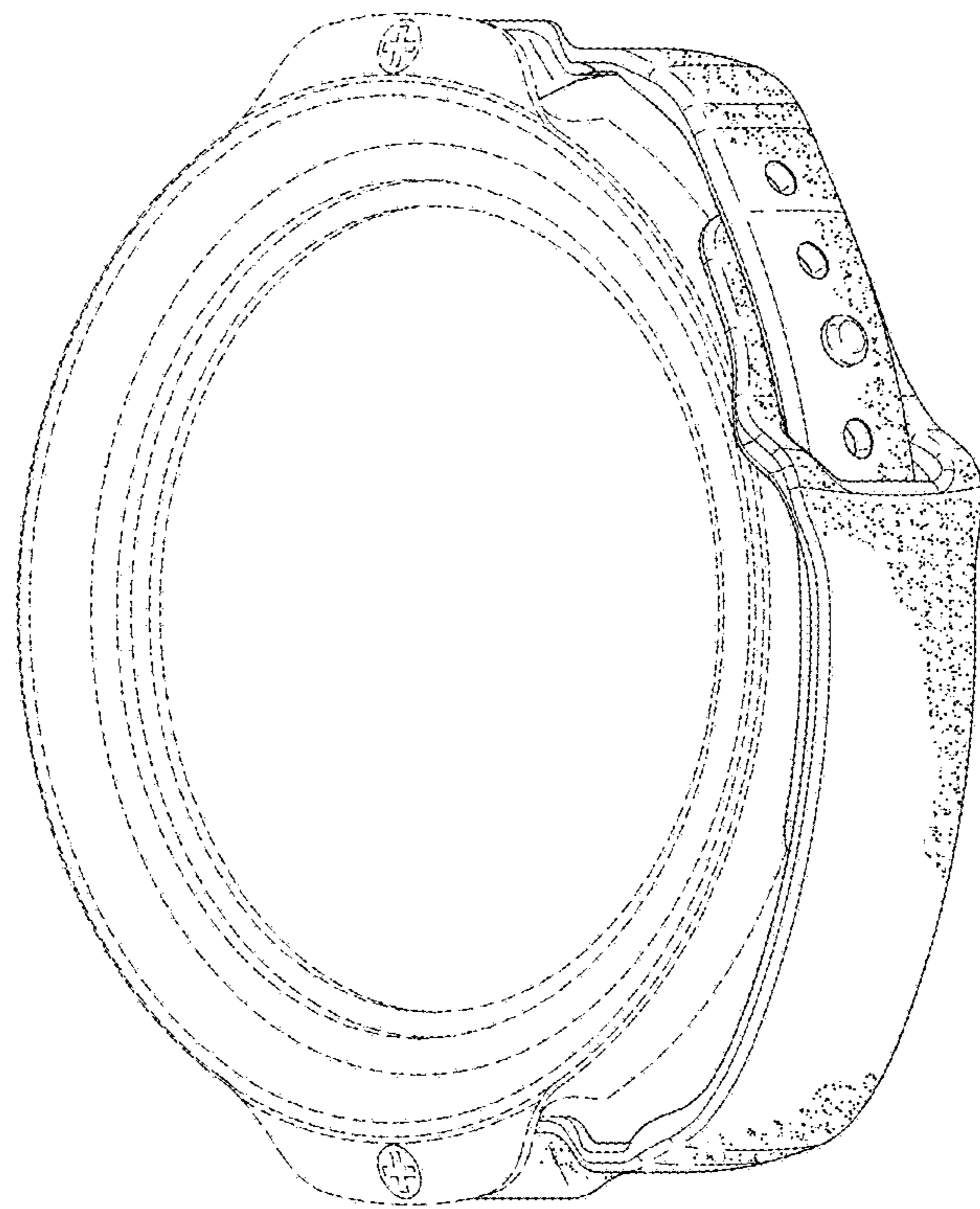


FIG. 10