



US00D848254S

(12) **United States Design Patent**
Sasaki

(10) **Patent No.:** **US D848,254 S**

(45) **Date of Patent:** **** May 14, 2019**

(54) **CLAMP**

(71) Applicant: **Kubota Corporation**, Osaka-shi (JP)

(72) Inventor: **Wataru Sasaki**, Sakai (JP)

(73) Assignee: **Kubota Corporation**, Osaka (JP)

(**) Term: **15 Years**

(21) Appl. No.: **29/610,997**

(22) Filed: **Jul. 18, 2017**

(51) **LOC (11) Cl.** **08-08**

(52) **U.S. Cl.**
USPC **D8/394**

(58) **Field of Classification Search**
USPC D8/349, 382, 394, 395
CPC . B25B 5/067; B25B 5/10; B25B 5/101; F16B
5/06; F16B 12/20; F16B 13/00; F16B
2/02; B60R 2011/0059; B60R 2011/0071
See application file for complete search history.

(56) **References Cited**

U.S. PATENT DOCUMENTS

D202,294 S *	9/1965	Heifetz et al.	D8/360
D210,098 S *	2/1968	Marik et al.	D8/394
D284,920 S *	8/1986	Van Horn	D8/382
D390,241 S *	2/1998	Mori	D15/140
D393,998 S *	5/1998	Anderson	D8/394
D484,399 S *	12/2003	Arthur	D8/394
D522,348 S *	6/2006	Hansen	D8/354
D564,863 S *	3/2008	Grevis	D8/354

D658,977 S *	5/2012	Riddell	D8/394
D695,091 S *	12/2013	Nunez Farfan	D8/354
8,813,673 B2 *	8/2014	Whiting	B62J 9/00 114/364
9,255,444 B2 *	2/2016	Motosko	E06B 9/52
D793,851 S *	8/2017	Mann	D8/394
D811,188 S *	2/2018	Zimmerman	D8/72
D826,023 S *	8/2018	Chun	D8/72

* cited by examiner

Primary Examiner — John Windmuller

Assistant Examiner — Steven J Czyz

(74) *Attorney, Agent, or Firm* — The Webb Law Firm

(57) **CLAIM**

The ornamental design for a clamp, as shown and described.

DESCRIPTION

FIG. 1 is a front elevation view of a clamp showing my new design;
 FIG. 2 is a rear elevation view thereof;
 FIG. 3 is a left side elevation view thereof;
 FIG. 4 is a right side elevation view thereof;
 FIG. 5 is a top view thereof;
 FIG. 6 is a bottom view thereof;
 FIG. 7 is an upper front left perspective view thereof;
 FIG. 8 is a rear left perspective view thereof;
 FIG. 9 is an upper rear right perspective view thereof;
 FIG. 10 is a front right perspective view thereof;
 FIG. 11 is a lower front right perspective view thereof; and,
 FIG. 12 is a lower rear right perspective view thereof.

1 Claim, 12 Drawing Sheets

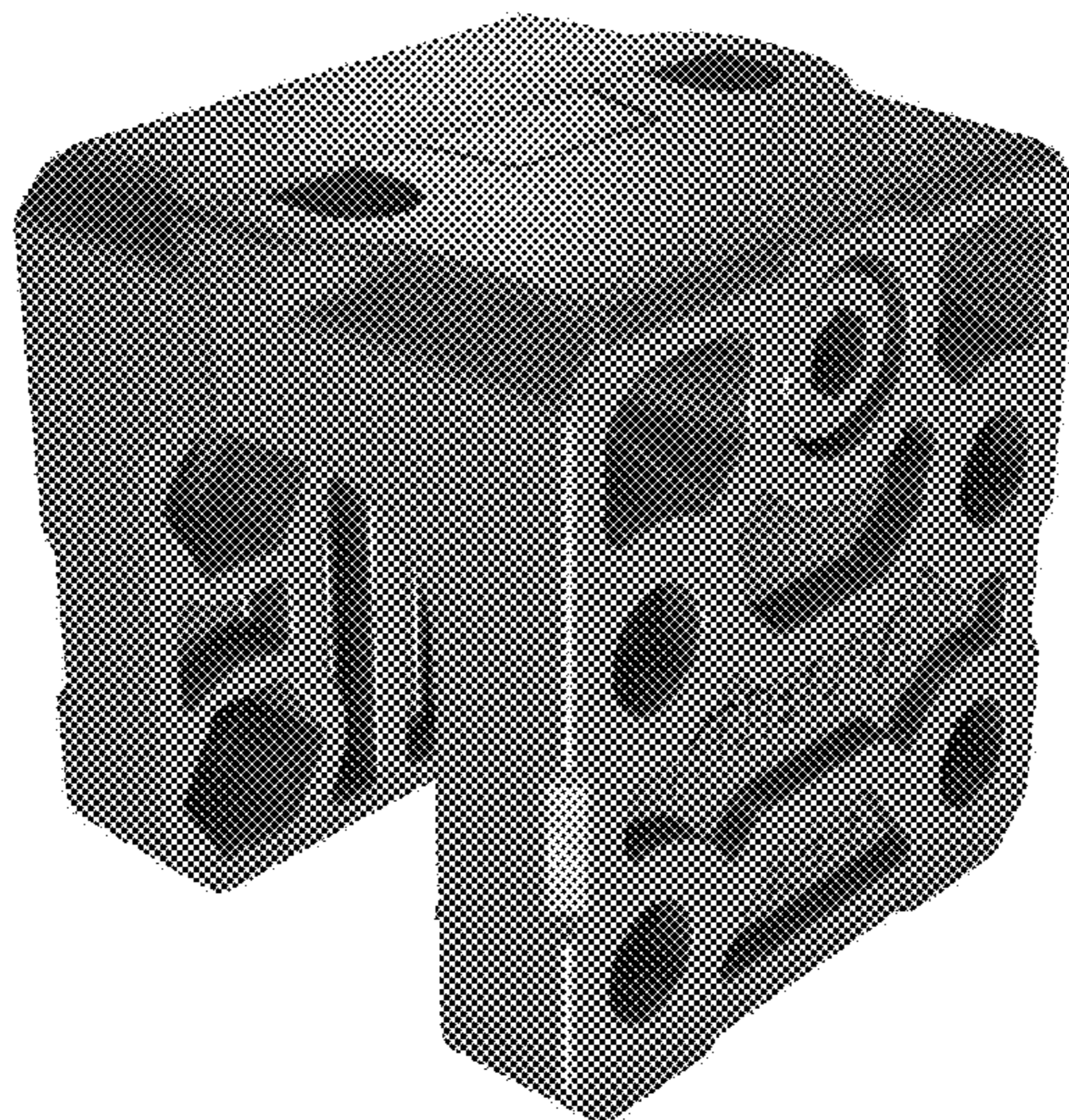


Fig.1

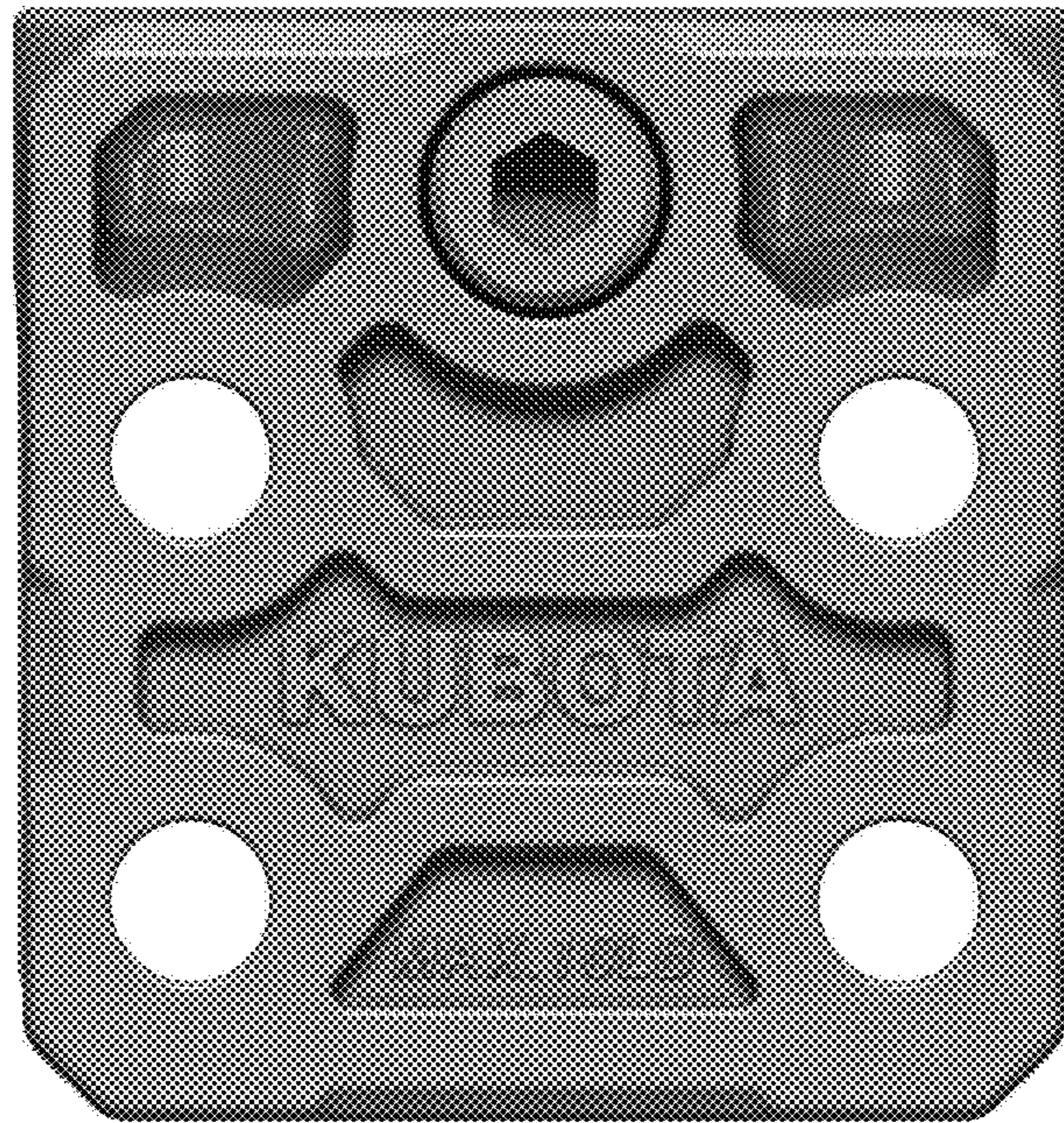


Fig.2

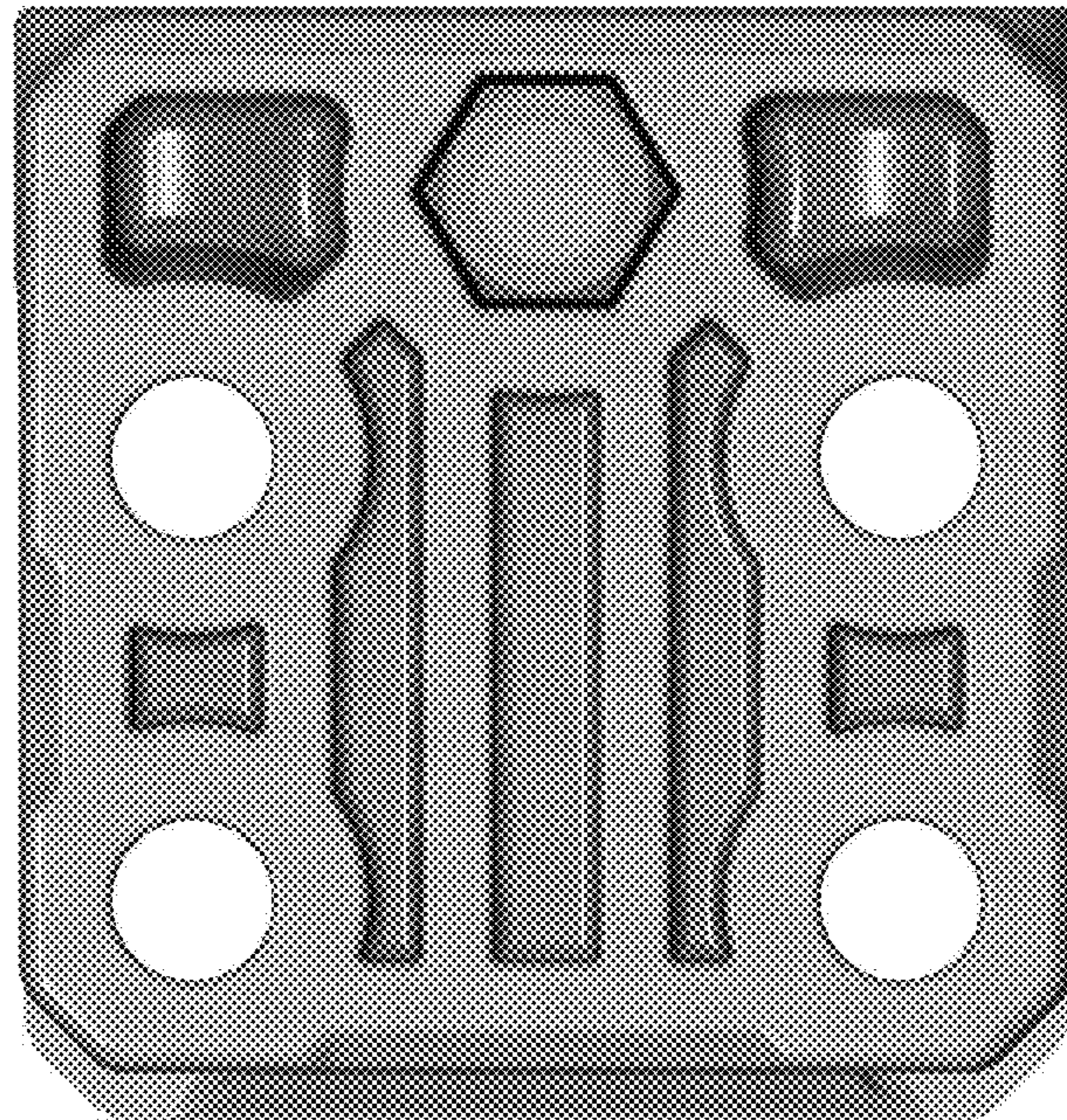


Fig.3

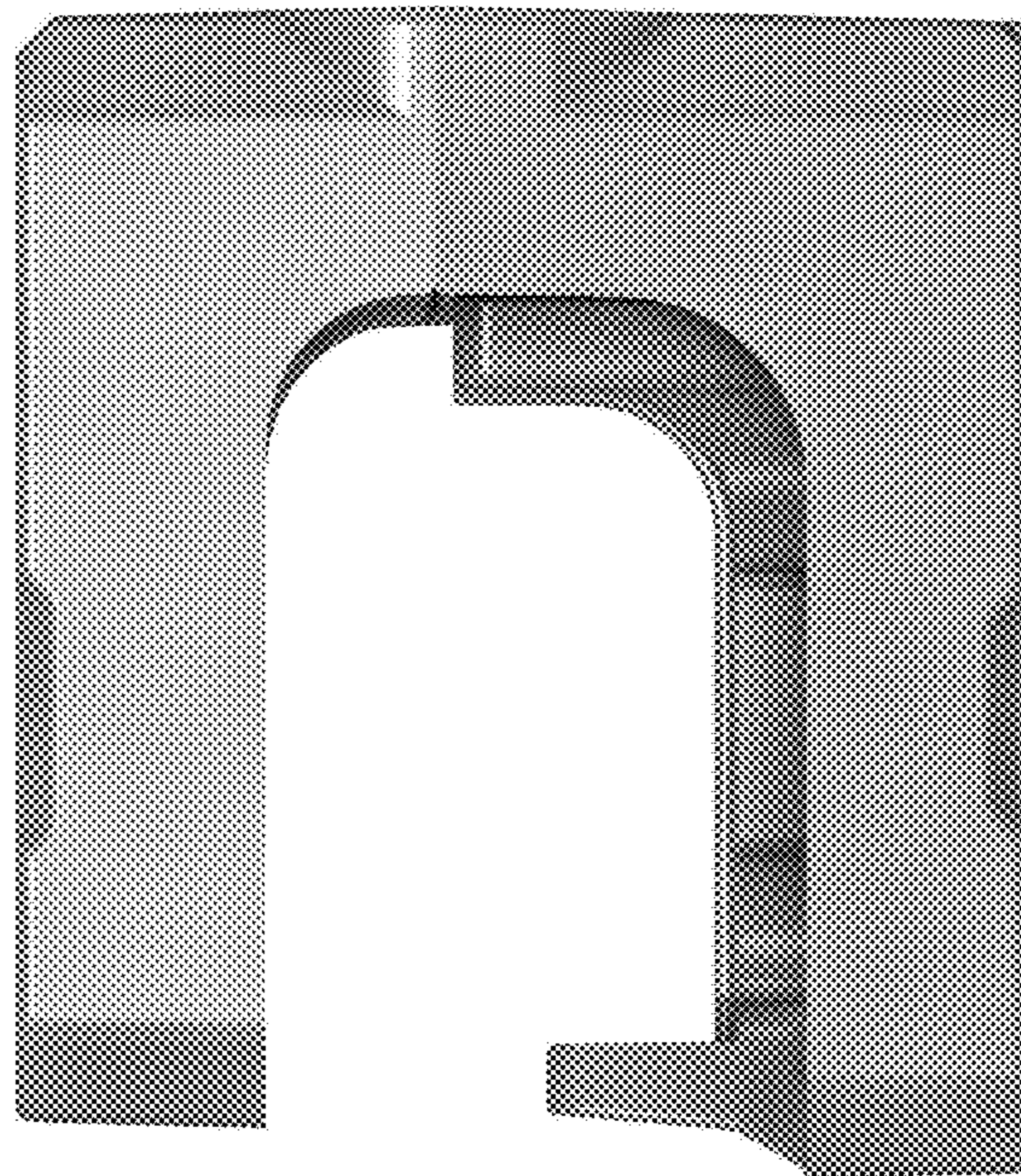


Fig.4

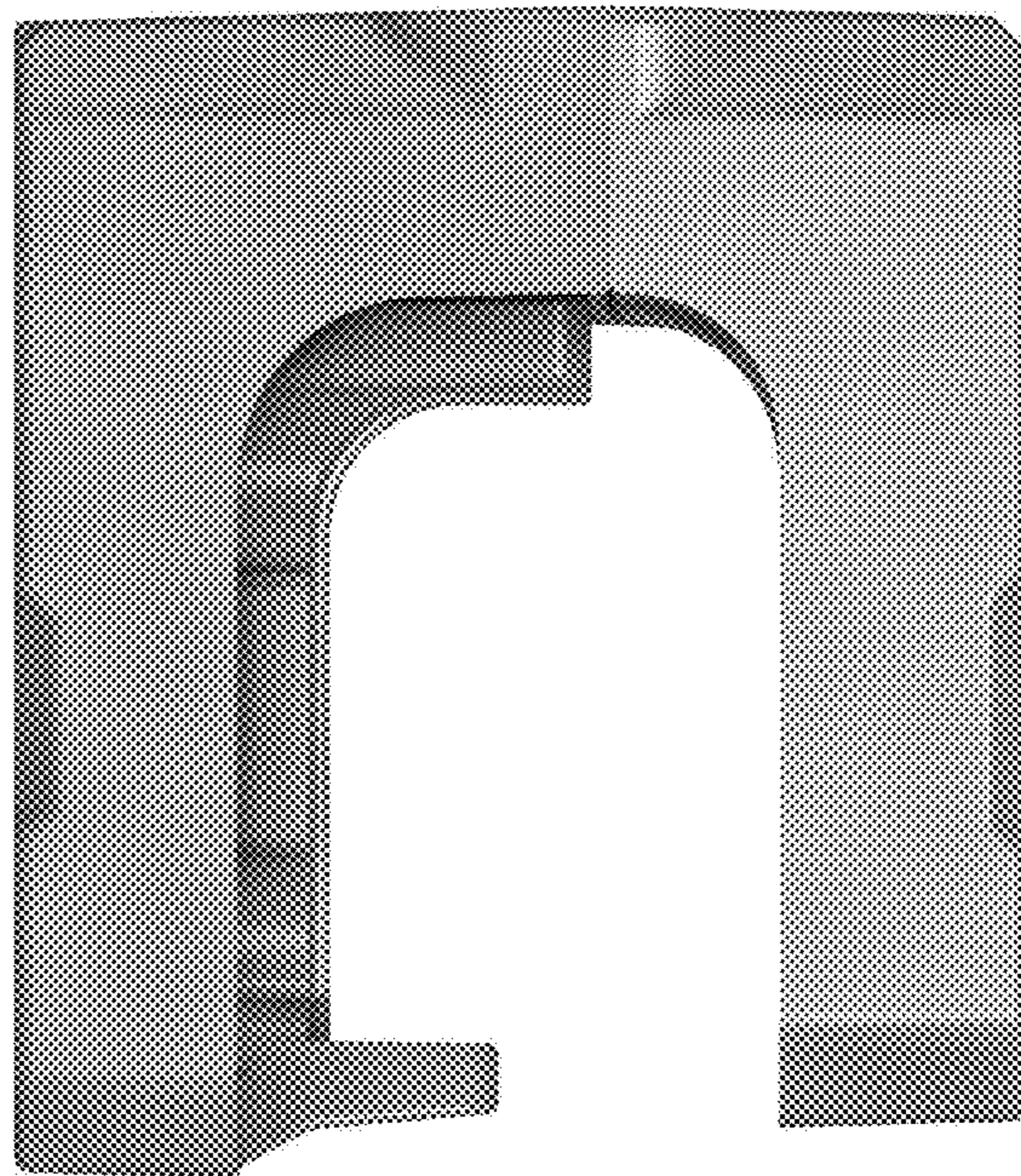


Fig.5

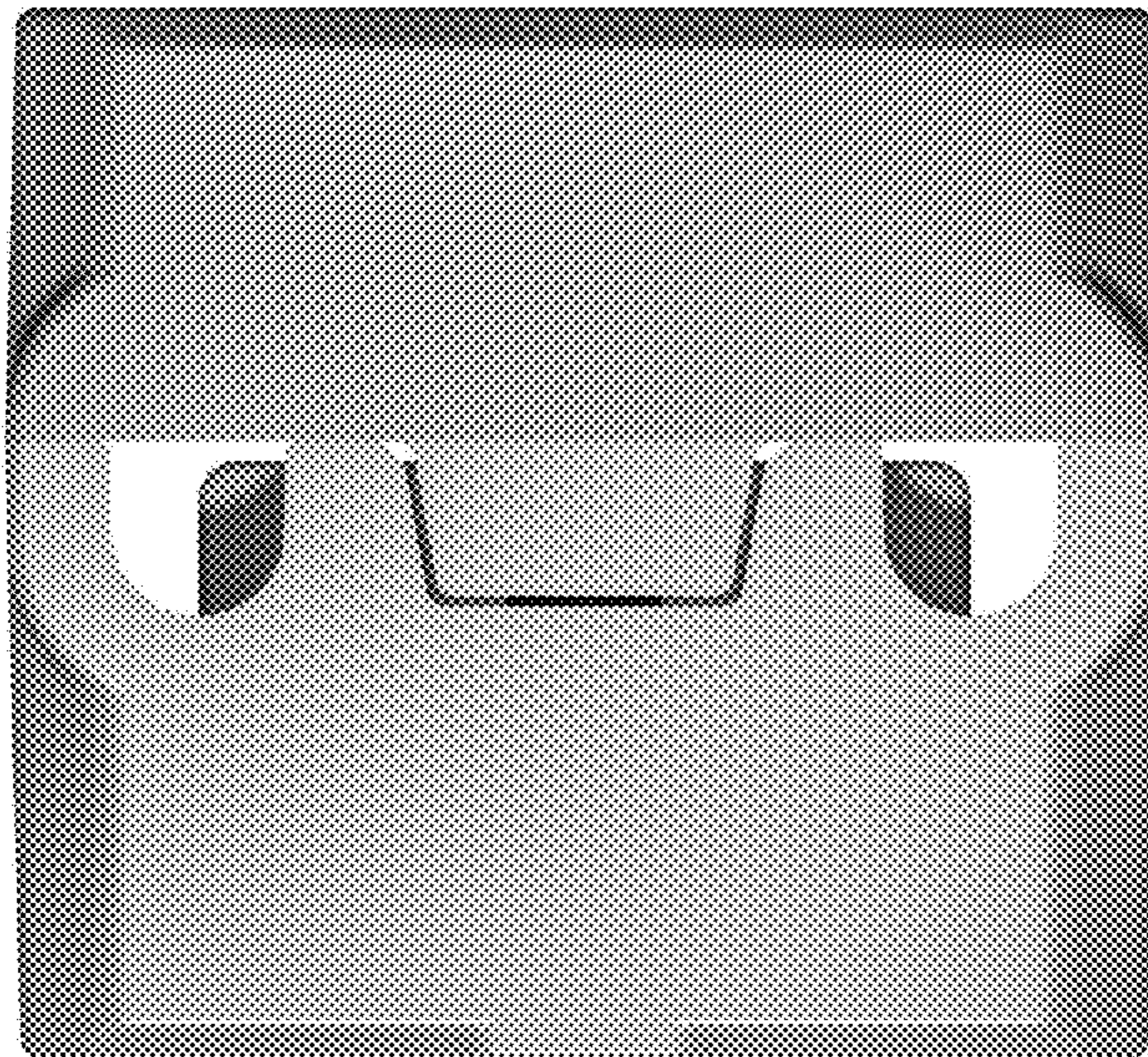


Fig.6

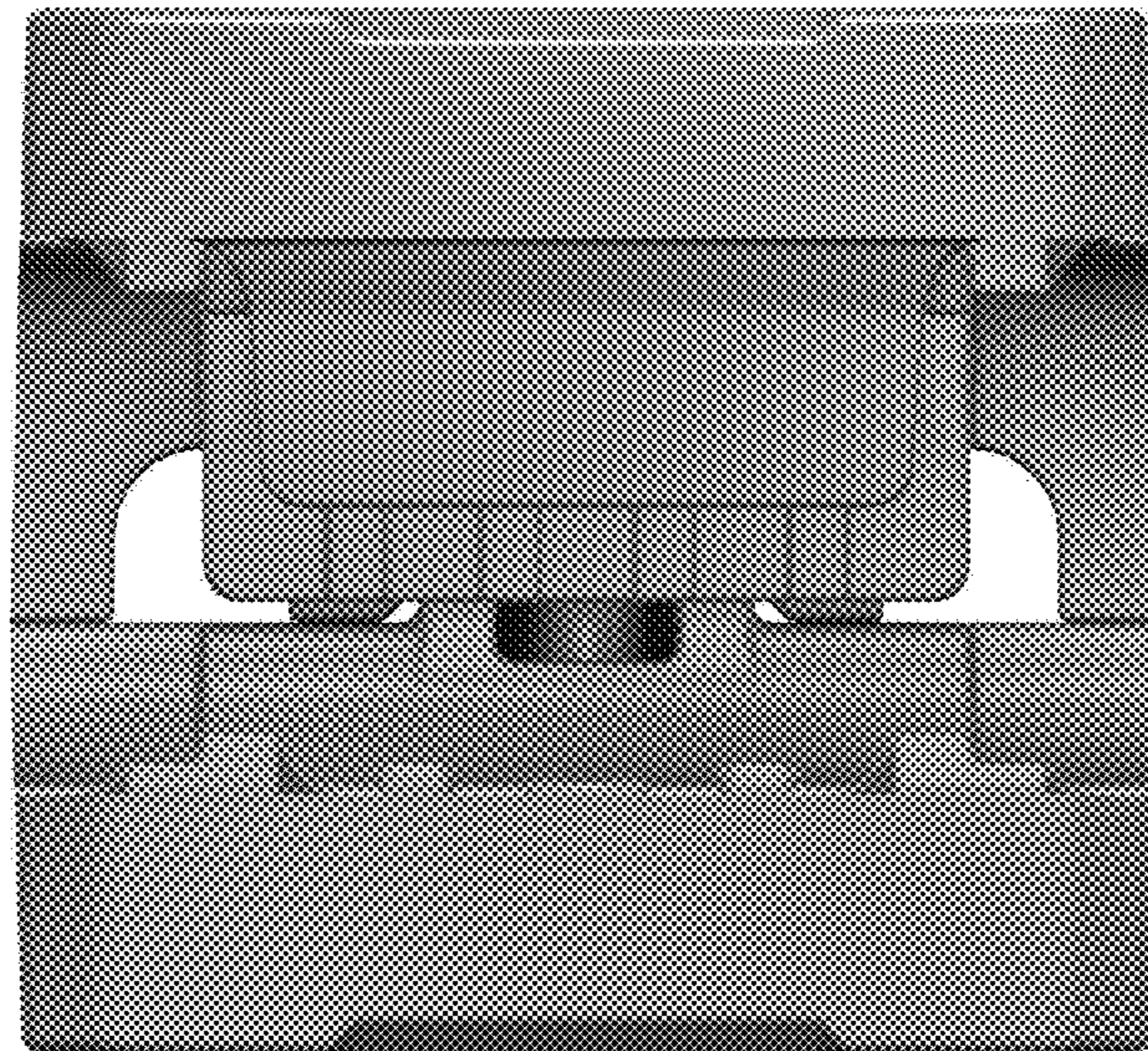


Fig.7

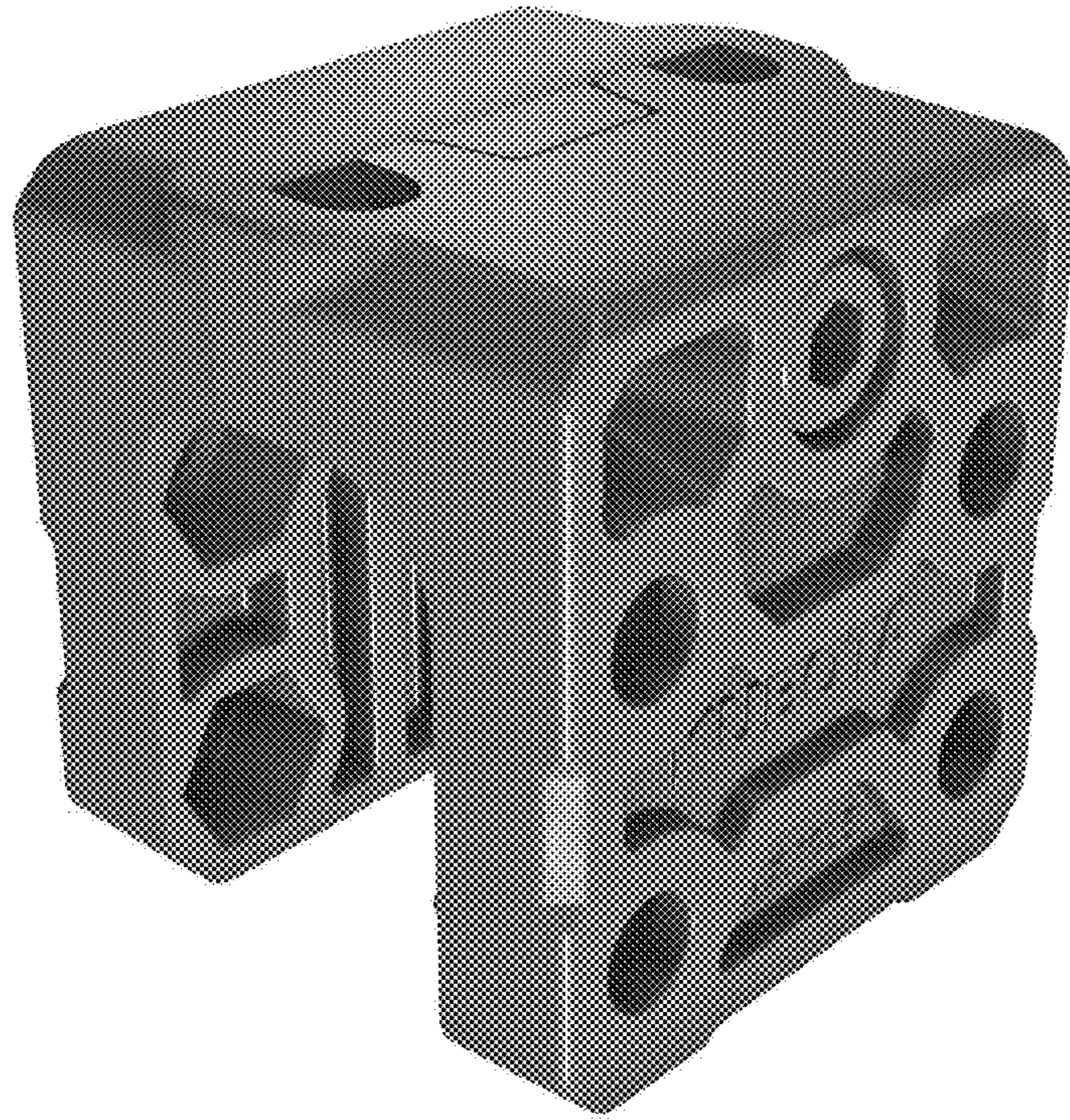


Fig. 8

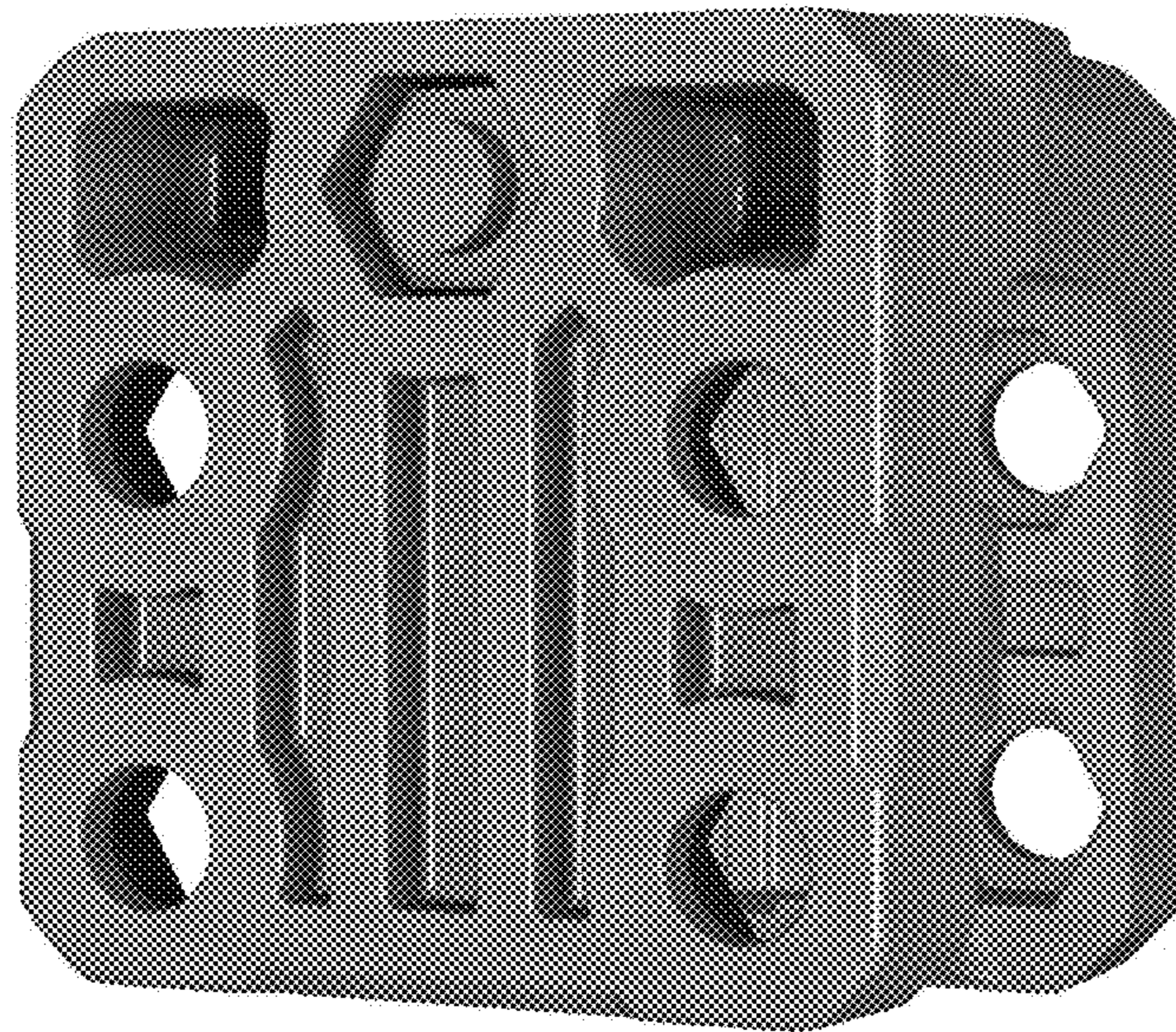


Fig.9

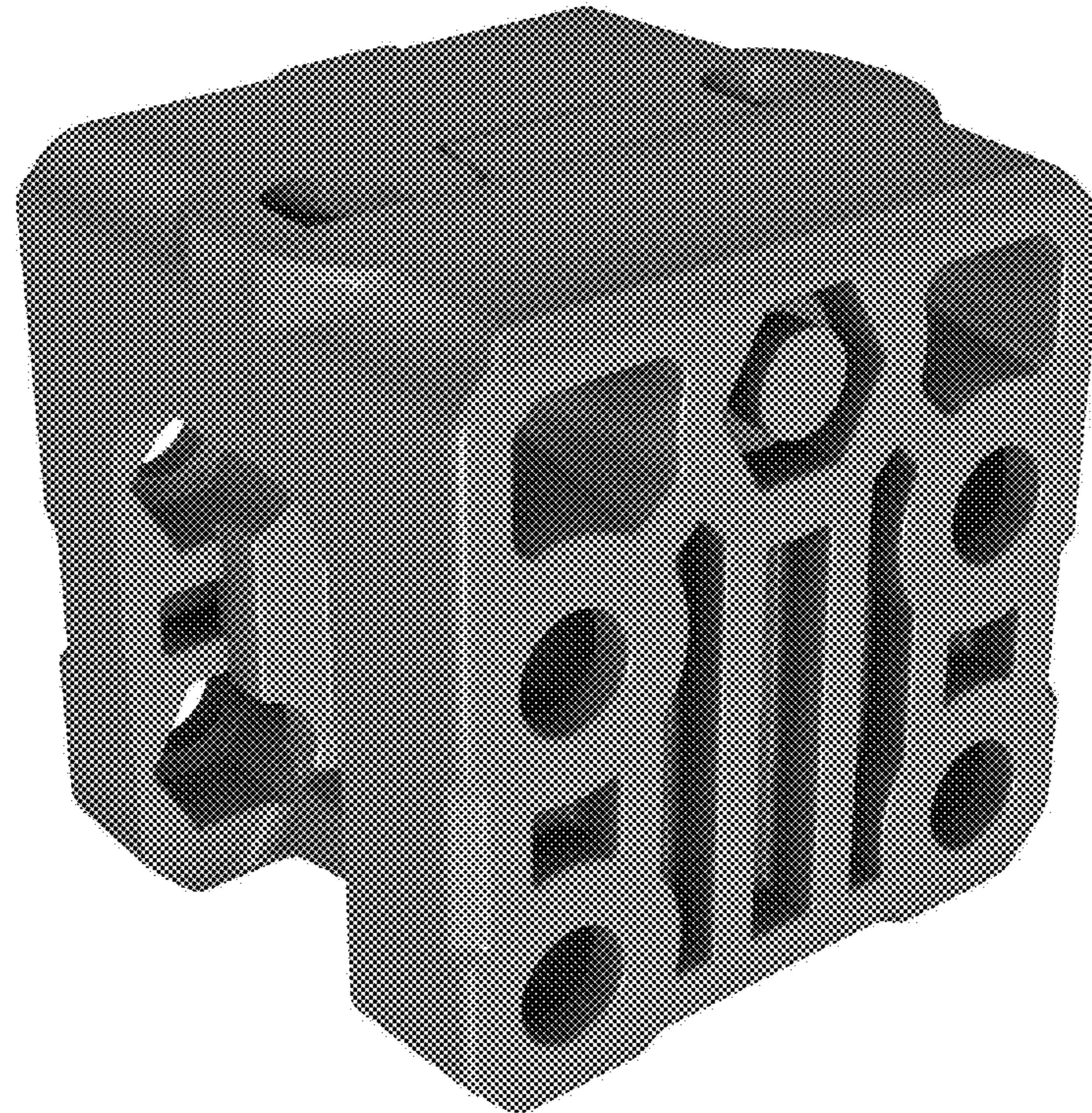


Fig.10



Fig. 11

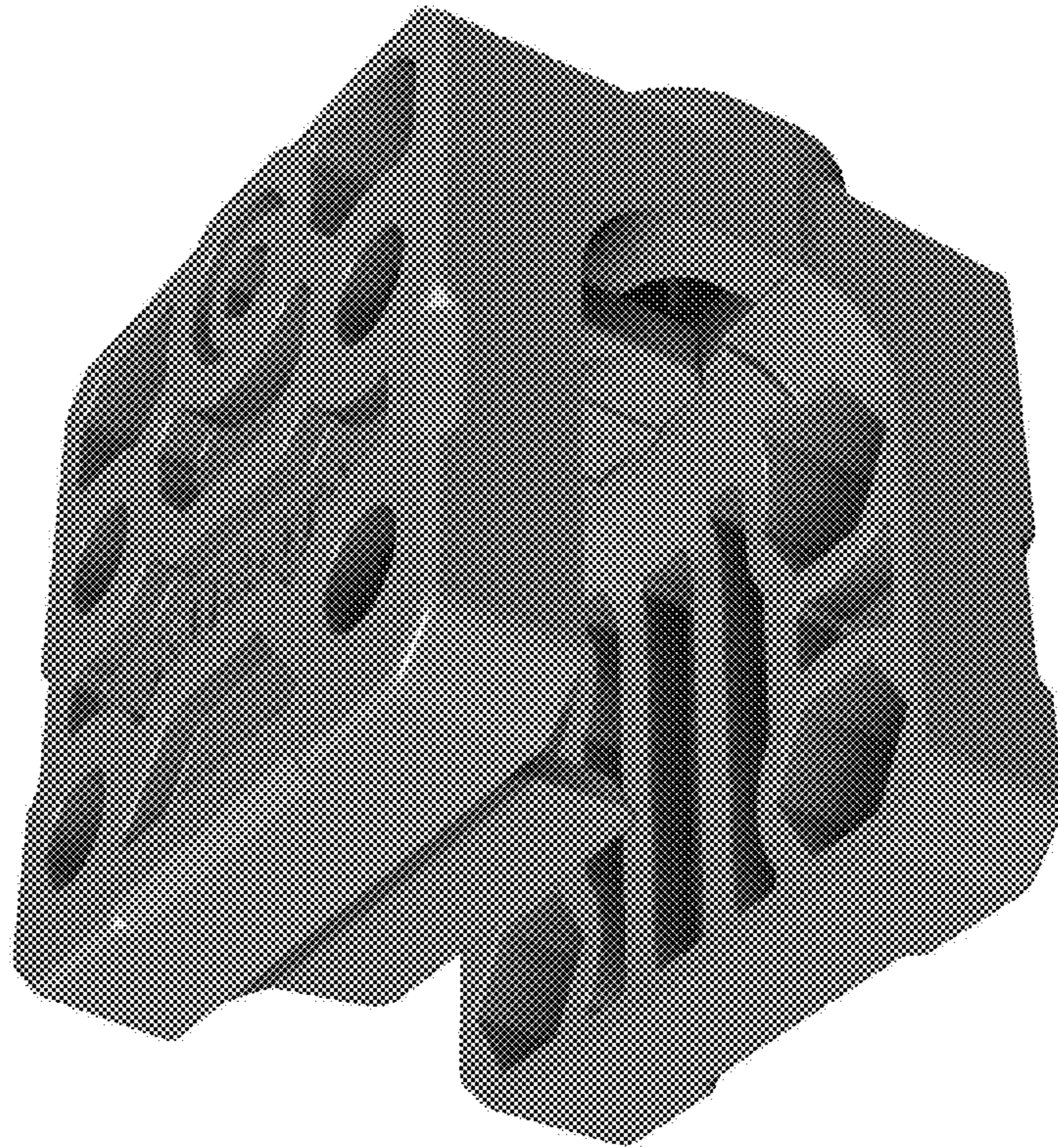


Fig. 12

