



US00D848251S

(12) **United States Design Patent** (10) **Patent No.:** **US D848,251 S**
Wang (45) **Date of Patent:** **** May 14, 2019**

- (54) **SCREW ANCHOR**
- (71) Applicant: **Rick Wang**, Changhua (TW)
- (72) Inventor: **Rick Wang**, Changhua (TW)
- (73) Assignees: **Masterpiece Hardware Industrial Co. Ltd**, Changhua (TW); **Rick Wang**, Changhua (TW)
- (**) Term: **15 Years**
- (21) Appl. No.: **29/589,165**
- (22) Filed: **Dec. 28, 2016**
- (51) **LOC (11) Cl.** **08-08**
- (52) **U.S. Cl.**
USPC **D8/385**
- (58) **Field of Classification Search**
USPC D8/349, 382, 385, 387, 388, 391, 393
CPC F16B 13/00; F16B 13/003; F16B 13/004;
F16B 2013/007; F16B 13/02; F16B 13/04; F16B 13/14; F16B 13/045; F16B 13/06; F16B 13/128; F16B 21/16; F16B 21/082; E01B 9/14; E01B 9/16; E04B 2002/0245; Y10T 403/559; Y10S 411/908
See application file for complete search history.

- (56) **References Cited**
U.S. PATENT DOCUMENTS
5,160,225 A * 11/1992 Chern F16B 13/002
408/203.5
5,752,792 A * 5/1998 McSherry F16B 13/002
411/31
5,833,415 A * 11/1998 McSherry F16B 13/002
411/31
5,944,295 A * 8/1999 McSherry F16B 25/103
248/304
D462,895 S * 9/2002 Gaudron D8/385

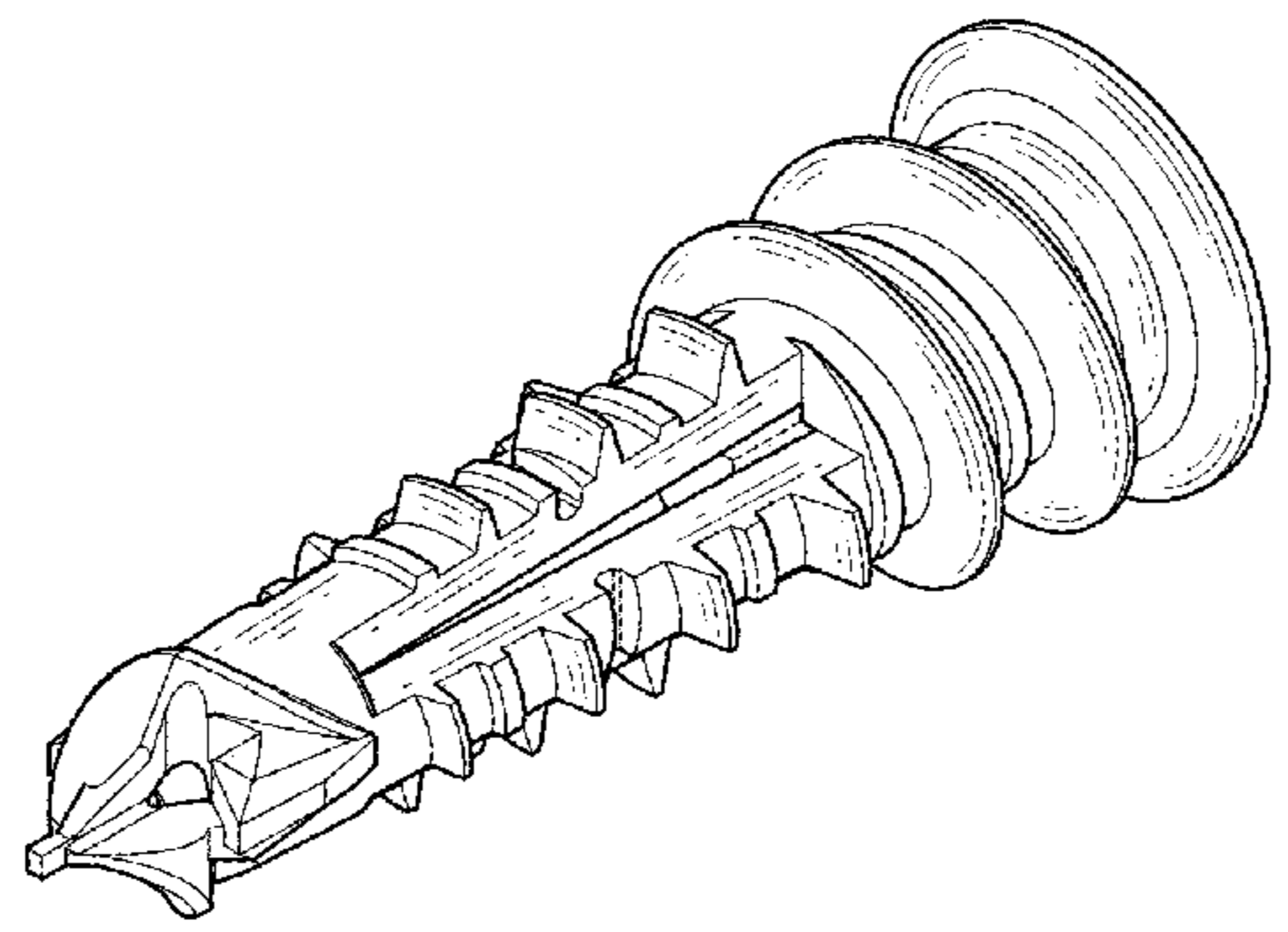
- D605,933 S * 12/2009 Gaudron D8/385
- 8,057,147 B2 * 11/2011 Ernst F16B 13/002
411/387.1
- 2005/0079027 A1 * 4/2005 Ernst F16B 13/002
411/44
- 2005/0084360 A1 * 4/2005 Panasik F16B 13/002
411/44
- 2005/0175429 A1 * 8/2005 Panasik F16B 13/002
411/80.1
- 2006/0120822 A1 * 6/2006 Kaye F16B 13/001
411/30
- 2010/0219307 A1 * 9/2010 Ernst A47G 25/0607
248/216.1
- 2010/0221086 A1 * 9/2010 Pippard F16B 25/0026
411/387.3

* cited by examiner
Primary Examiner — Sandra S Snapp
Assistant Examiner — Ieisha N Price
(74) *Attorney, Agent, or Firm* — Che-Yang Chen; Law Offices of Scott Warmuth

(57) **CLAIM**
The ornamental design for a screw anchor, as shown and described.

DESCRIPTION
FIG. 1 is a perspective view of a screw anchor showing my new design;
FIG. 2 is a front elevational view thereof;
FIG. 3 is a rear elevational view thereof;
FIG. 4 is a left side elevational view thereof;
FIG. 5 is a right side elevational view thereof;
FIG. 6 is a top plan view thereof; and,
FIG. 7 is a bottom plan view thereof.
The broken lines in the drawings illustrate portions of the screw anchor and form no part of the claimed design.

1 Claim, 4 Drawing Sheets



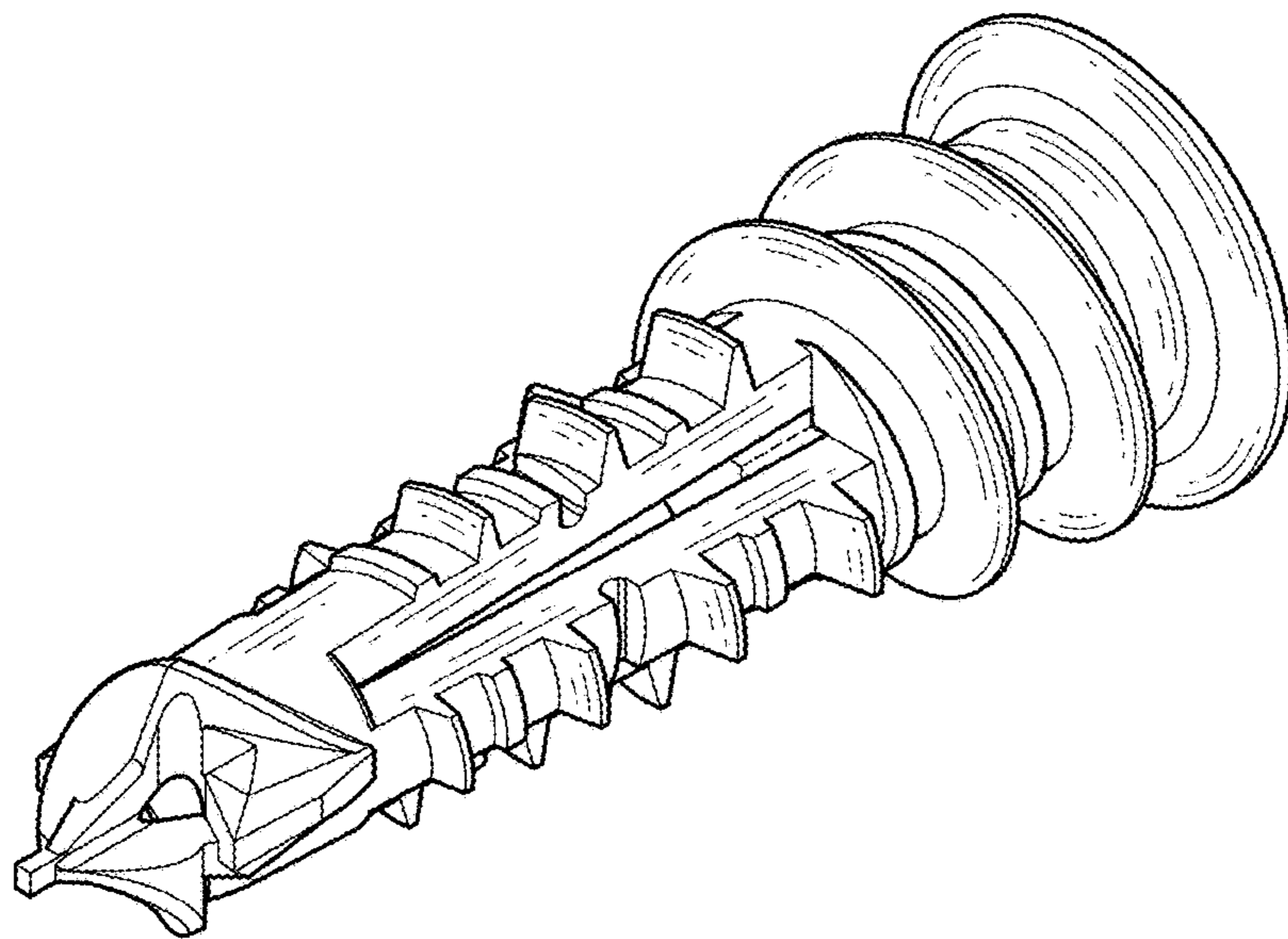


FIG.1

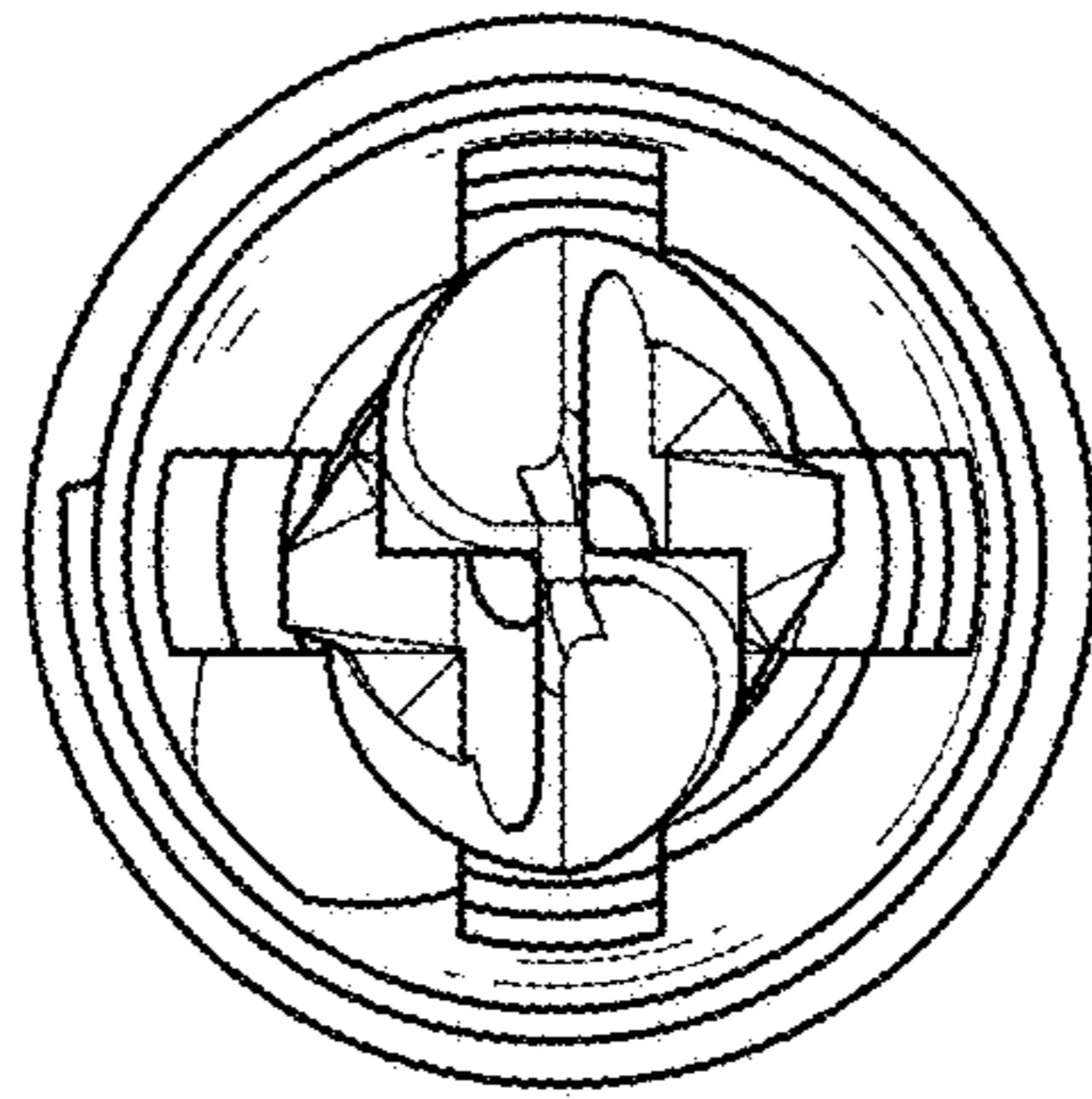


FIG. 2

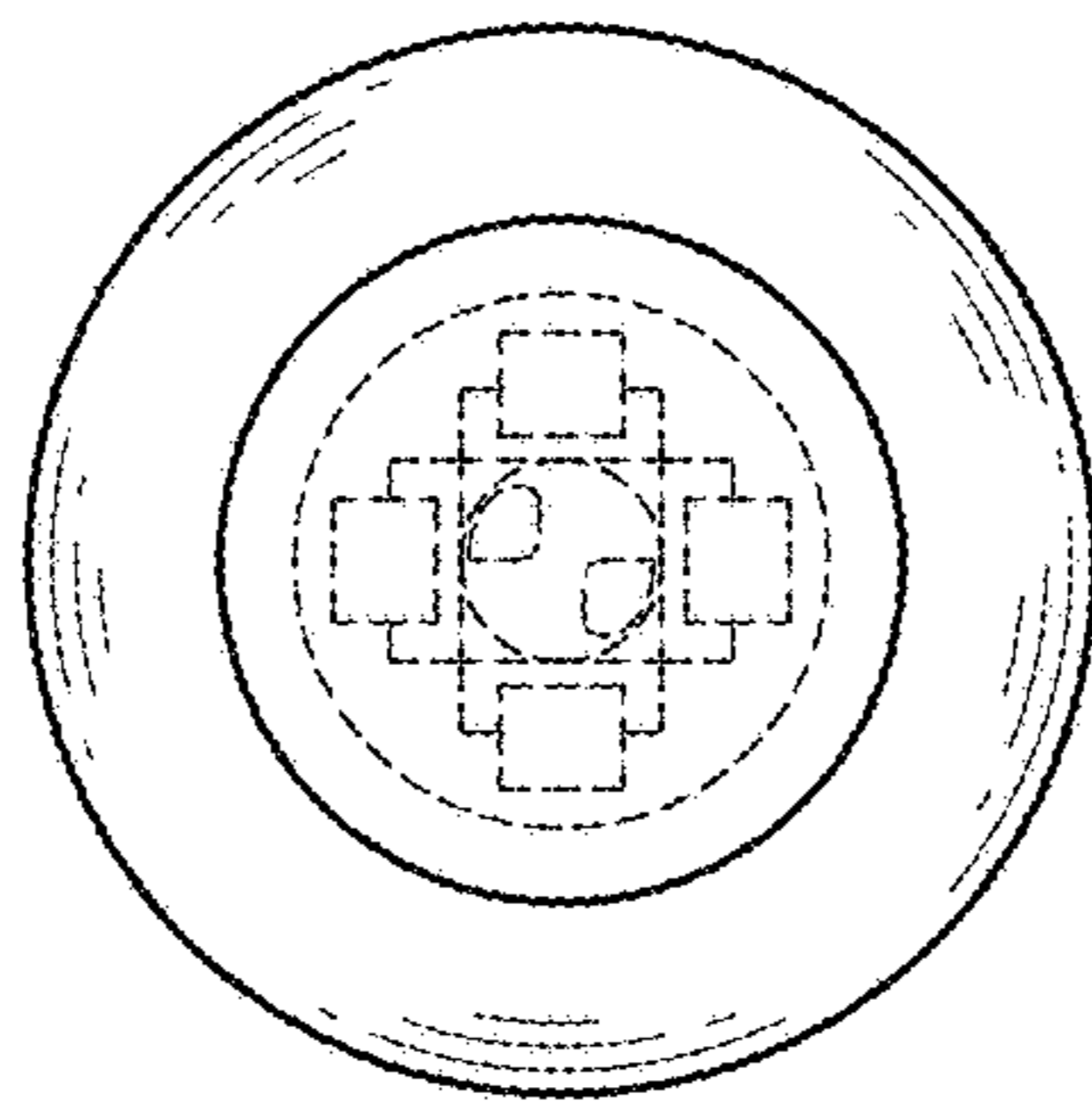


FIG. 3

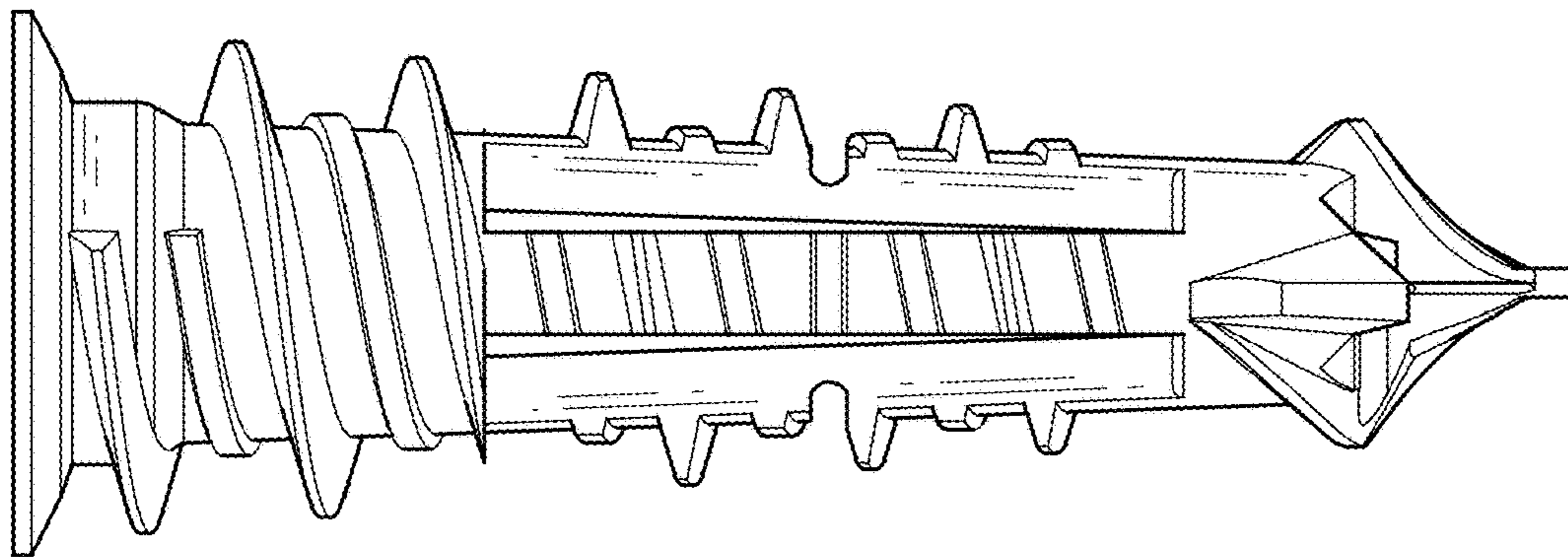


FIG.4

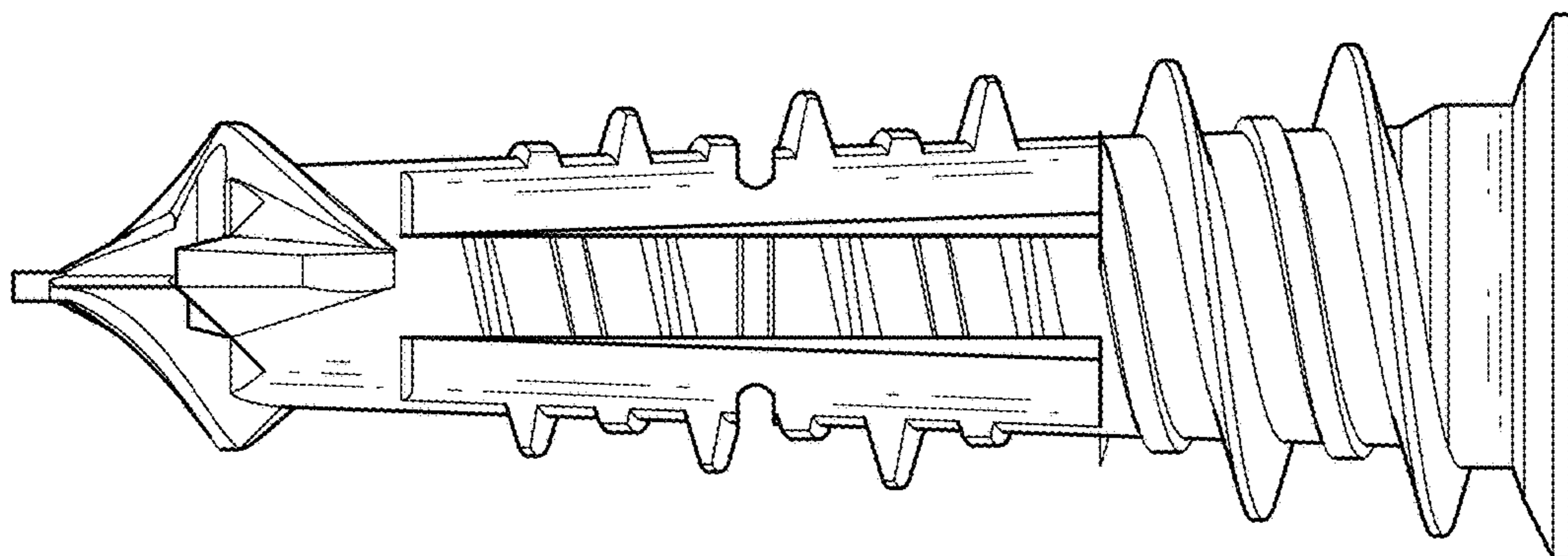


FIG.5

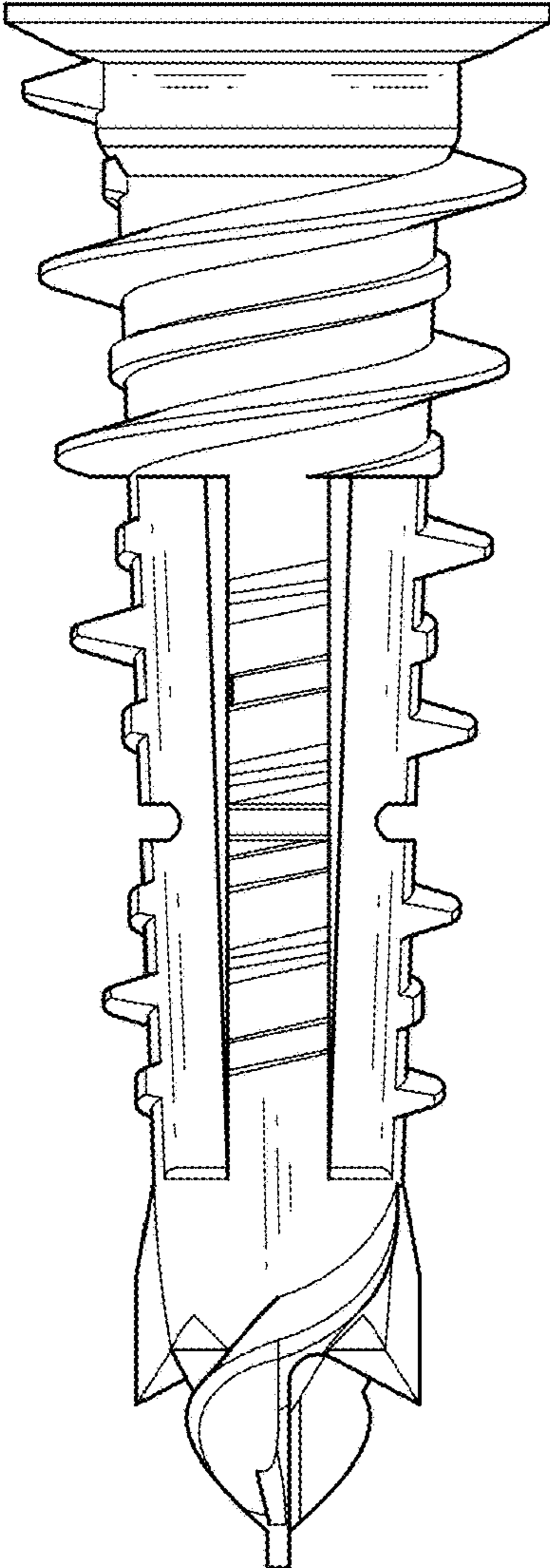


FIG. 6

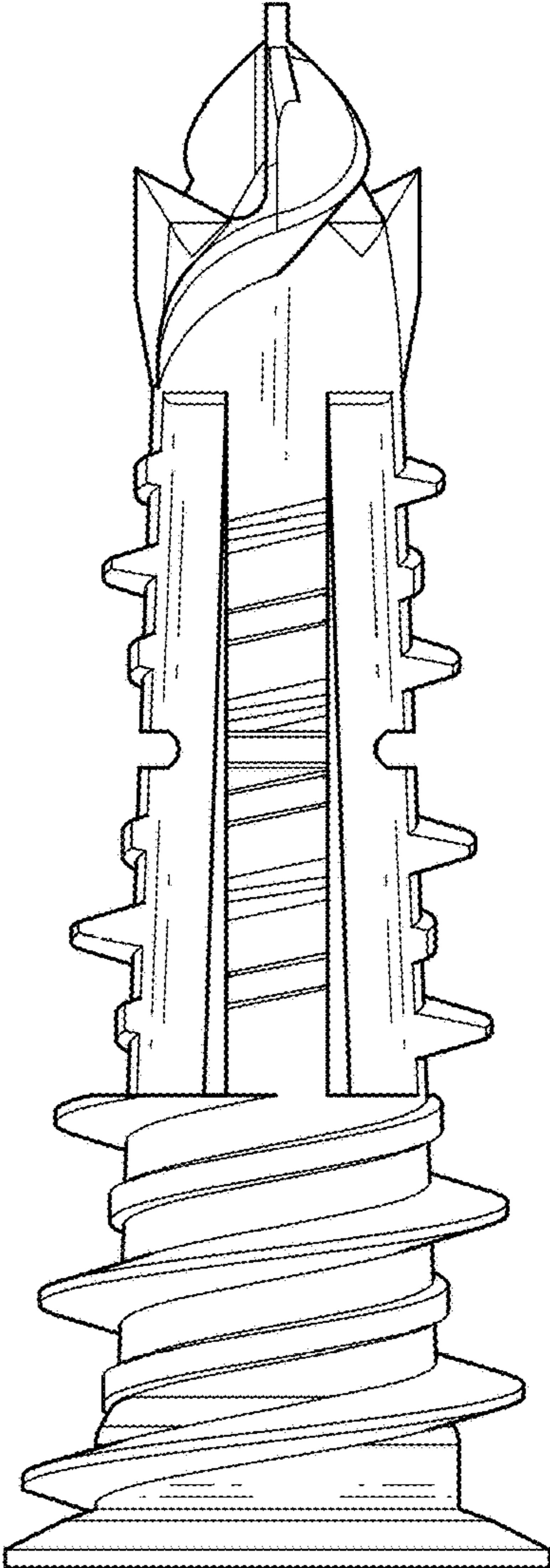


FIG. 7