



US00D848248S

(12) **United States Design Patent**
Rehhahn

(10) **Patent No.:** **US D848,248 S**

(45) **Date of Patent:** **** *May 14, 2019**

- (54) **SHEET PILE**
- (71) Applicant: **Jens Rehhahn**, Zeischa (DE)
- (72) Inventor: **Jens Rehhahn**, Zeischa (DE)
- (*) Notice: This patent is subject to a terminal disclaimer.
- (**) Term: **15 Years**

1,835,367 A *	12/1931	Becker	E02D 5/04 405/277
1,835,417 A *	12/1931	Mauterer	E02D 5/04 405/277
1,841,779 A *	1/1932	Becker	E02D 5/04 405/279
D621,245 S *	8/2010	Heindl	D8/382
D621,246 S *	8/2010	Heindl	D8/382
D808,782 S *	1/2018	Heindl	D8/382
D808,783 S *	1/2018	Heindl	D8/382

* cited by examiner

- (21) Appl. No.: **29/629,177**
- (22) Filed: **Dec. 12, 2017**
- (51) **LOC (11) Cl.** **08-08**
- (52) **U.S. Cl.**
USPC **D8/382**
- (58) **Field of Classification Search**
USPC D8/367, 382, 394, 395; D25/119
CPC E02D 5/02; E02D 5/04; E02D 5/06; E02D
5/08; E02D 5/12; Y10T 403/73
See application file for complete search history.

Primary Examiner — Sandra S Snapp
Assistant Examiner — Ieisha N Price
 (74) *Attorney, Agent, or Firm* — 24IP Law Group USA,
 PLLC; Timothy Dewitt

(57) **CLAIM**

The ornamental design for a sheet pile, as shown and described.

DESCRIPTION

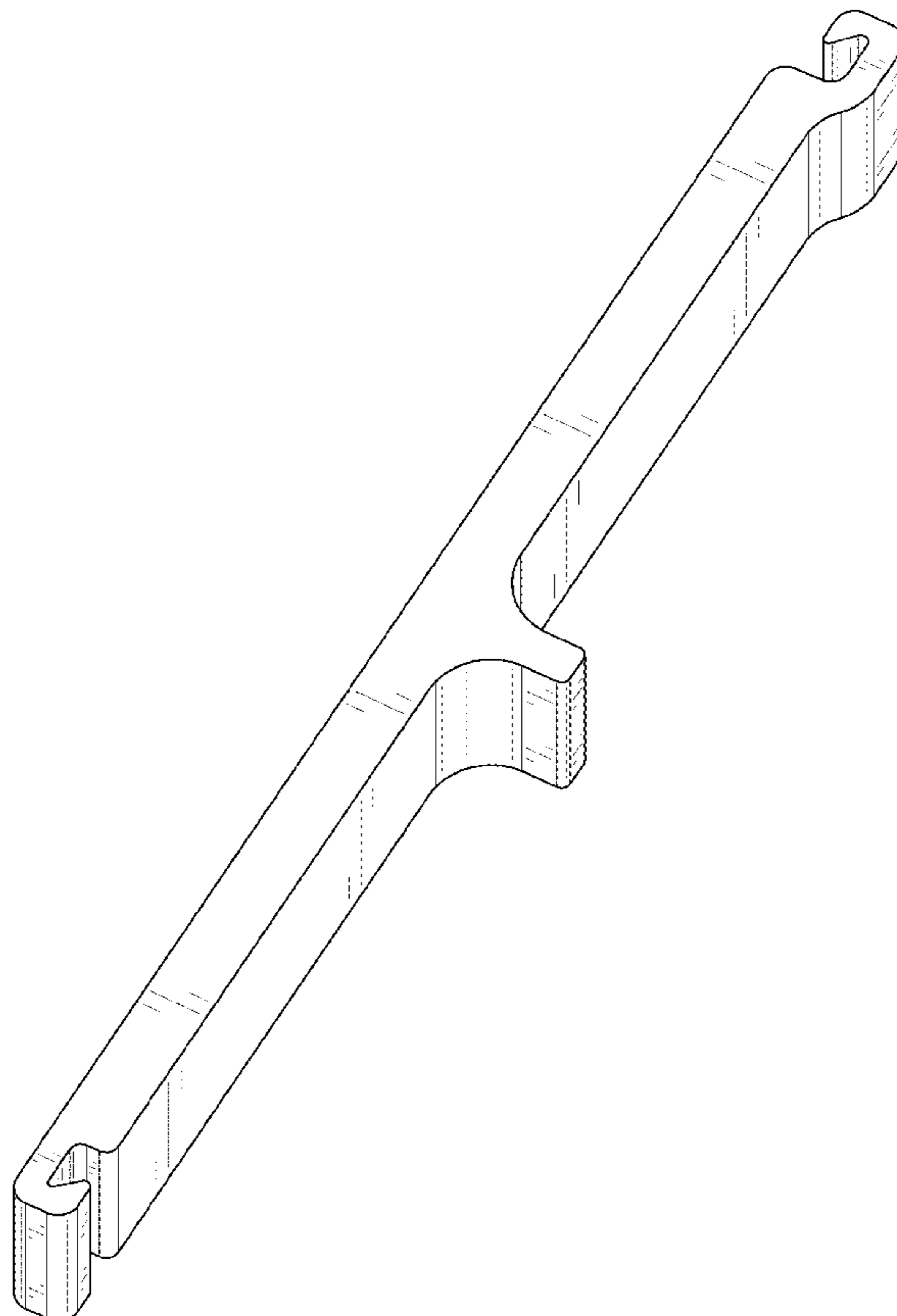
FIG. 1 is a perspective view of the sheet pile;
 FIG. 2 is a right side view of the sheet pile;
 FIG. 3 is a left side view of the sheet pile;
 FIG. 4 is a rear view of the sheet pile;
 FIG. 5 is a front view of the sheet pile;
 FIG. 6 is a bottom view of the sheet pile; and,
 FIG. 7 is a top view of the sheet pile.

(56) **References Cited**

U.S. PATENT DOCUMENTS

1,770,652 A *	7/1930	Meiser	E02D 5/04 405/277
1,771,224 A *	7/1930	Kohler	E02D 5/04 405/277

1 Claim, 7 Drawing Sheets



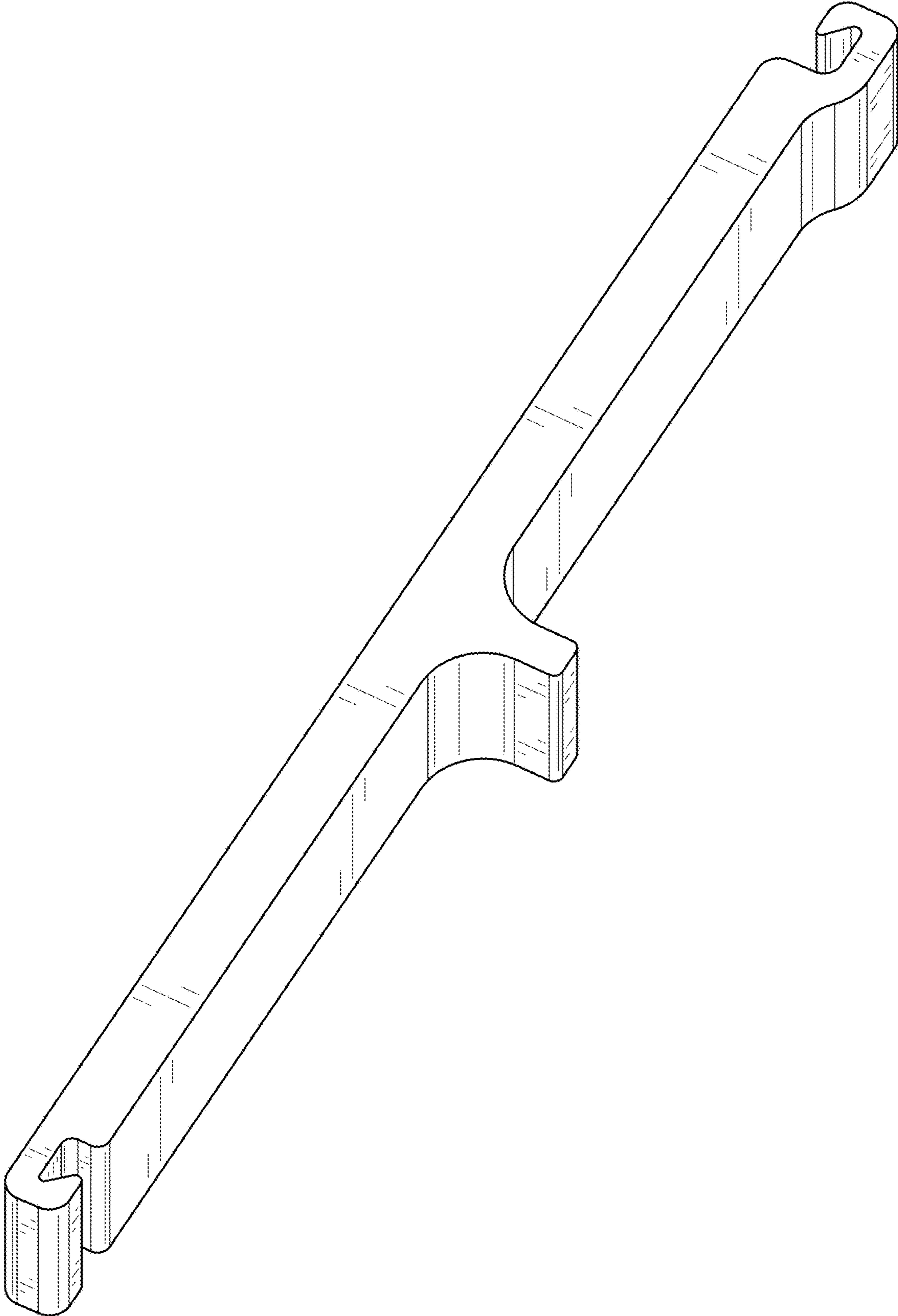


FIG. 1

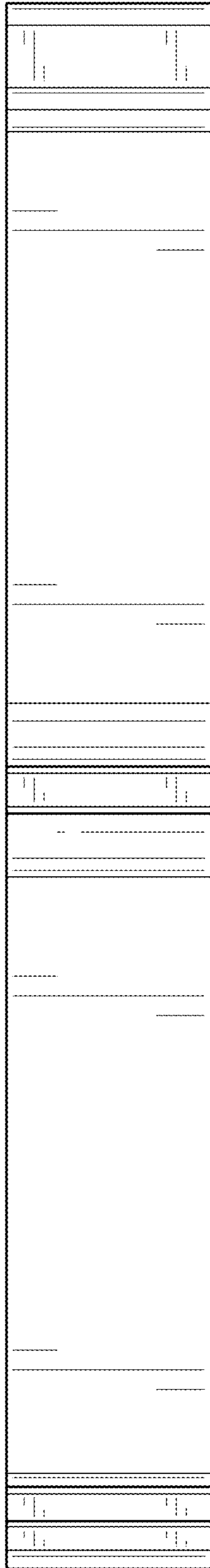


FIG. 2



FIG. 3

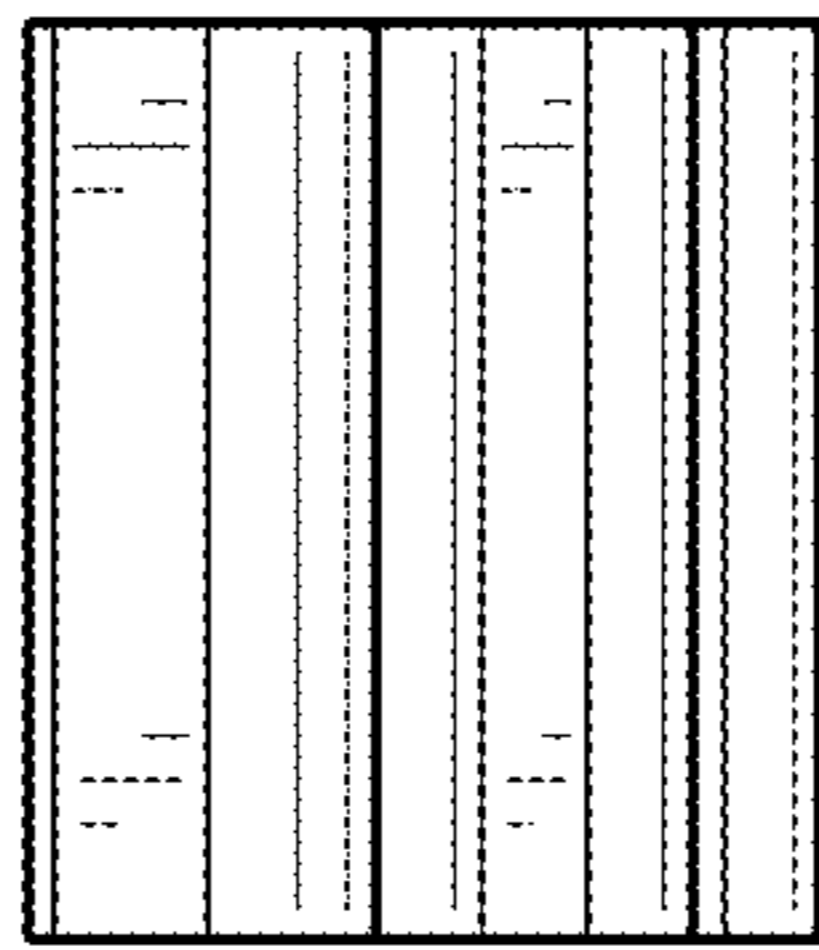


FIG. 4

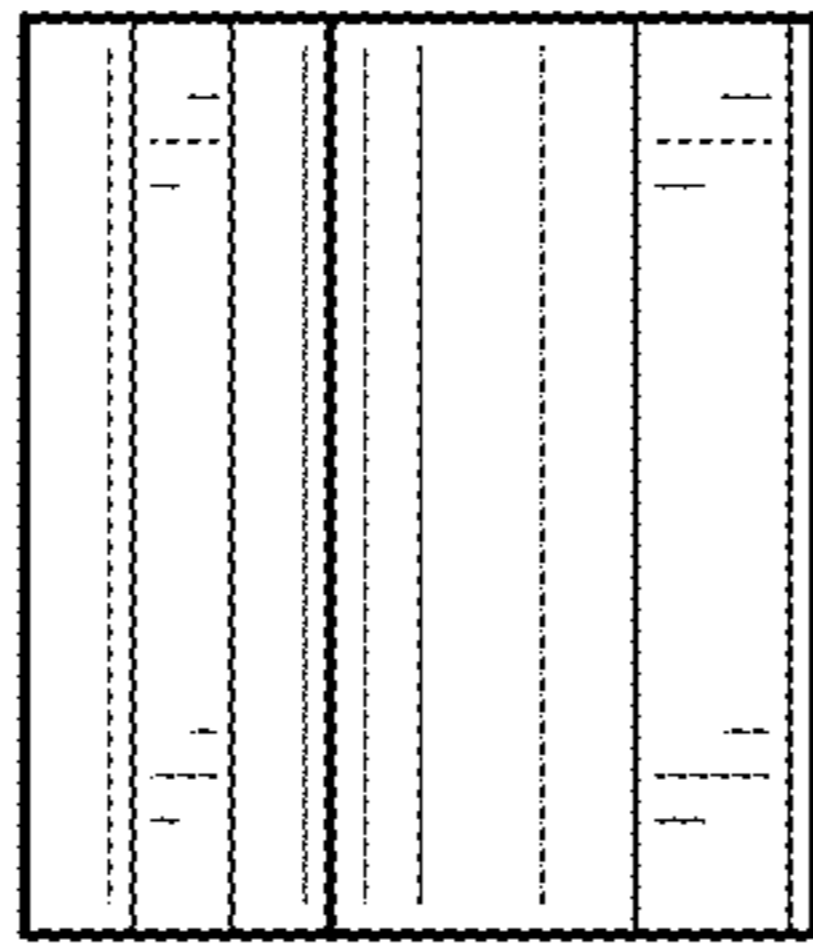


FIG. 5

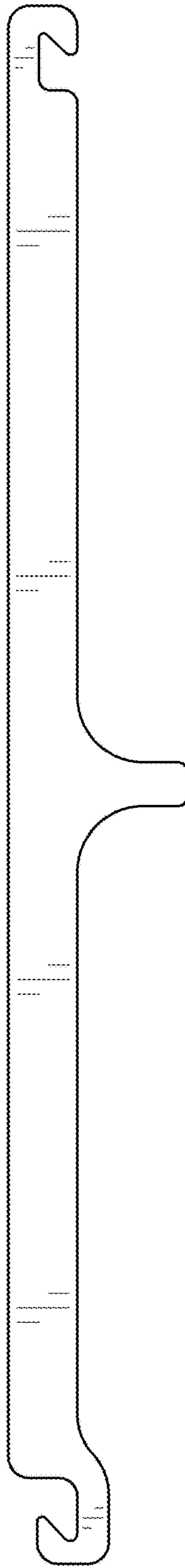


FIG. 6

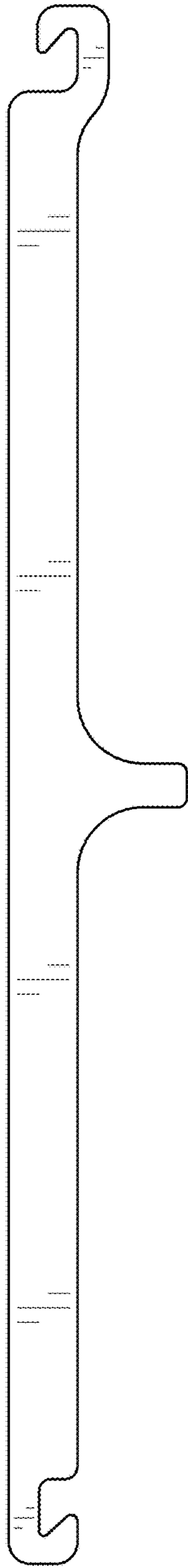


FIG. 7