

US00D848245S

(12) **United States Design Patent** (10) **Patent No.:** **US D848,245 S**
Hammer (45) **Date of Patent:** **** May 14, 2019**

(54) **WINDOW TREATMENT BRACKET**

(71) Applicant: **Muna Hammer**, Lutz, FL (US)

(72) Inventor: **Muna Hammer**, Lutz, FL (US)

(**) Term: **15 Years**

(21) Appl. No.: **29/616,864**

(22) Filed: **Sep. 8, 2017**

(51) **LOC (11) Cl.** **08-05**

(52) **U.S. Cl.**
USPC **D8/363**

(58) **Field of Classification Search**

USPC D08/16, 17, 18, 19, 33, 34, 39, 40, 43, D08/51, 354, 363, 364, 366, 367, 368, D08/370, 371, 373, 380, 381; D06/323, D06/515, 518, 521, 523, 524, 537, 540, D06/545, 546, 549, 566; D25/38.1, 119, D25/122, 123; D02/602, 605, 606, 627, D02/643; D03/207, 215; D11/7, 40, 43, D11/79, 200, 201, 204, 208, 209, 212; D24/155; D29/129, 130
CPC A61B 17/80; A61B 17/66; A61B 17/58; A61B 17/8019; A61B 17/842; A61B 17/8625; A61B 17/863; A61B 17/8635; A61B 17/8866; B67B 7/44; B67B 7/18; B67B 7/0423; B67B 7/16; E04G 5/041; E04G 5/043; E04G 21/3276; E04G 21/3285; E04D 13/12; B25F 1/04; B25F 5/027; B26B 11/001; A47K 10/40; A47H 27/00; A47G 7/045; A47B 13/02; A47B 87/00; A47B 96/02; A47B 96/06; A47B 57/06; A47B 87/005; A47B 57/34; A47B 96/021; A47B 96/061; A47F 5/13; A44B 11/04; A43B 1/0027; A43C 11/1413; A43C 11/1466; A43C 11/1433; G10K 1/26; G10K 1/28; G10K 9/22; H02G 1/00; A45F 2200/0575; B25B 13/54; F16G 13/16; F16L 33/02; F16L 33/22; F16L 35/00

See application file for complete search history.

(56) **References Cited**

U.S. PATENT DOCUMENTS

D113,895 S * 3/1939 Hutchison D6/323
D238,920 S * 2/1976 Vrignaud D6/549
3,999,734 A * 12/1976 Gibson A47F 7/142
248/460
D291,753 S * 9/1987 Pool D6/522
D307,844 S * 5/1990 Romeka D6/523

(Continued)

OTHER PUBLICATIONS

Umbra Mountie Cabinet-Mount Paper Towel Holder, posted as early as Dec. 22, 2011, [retrieved Dec. 26, 2018]. Retrieved from Internet, <URL: <https://www.amazon.com/Umbra-Mountie-Cabinet-Mount-Paper-Holder/dp/B005M8YWW2> >.*

(Continued)

Primary Examiner — Barbara Fox

Assistant Examiner — Kristin E Reed

(74) *Attorney, Agent, or Firm* — Gulf Coast Intellectual Property Group

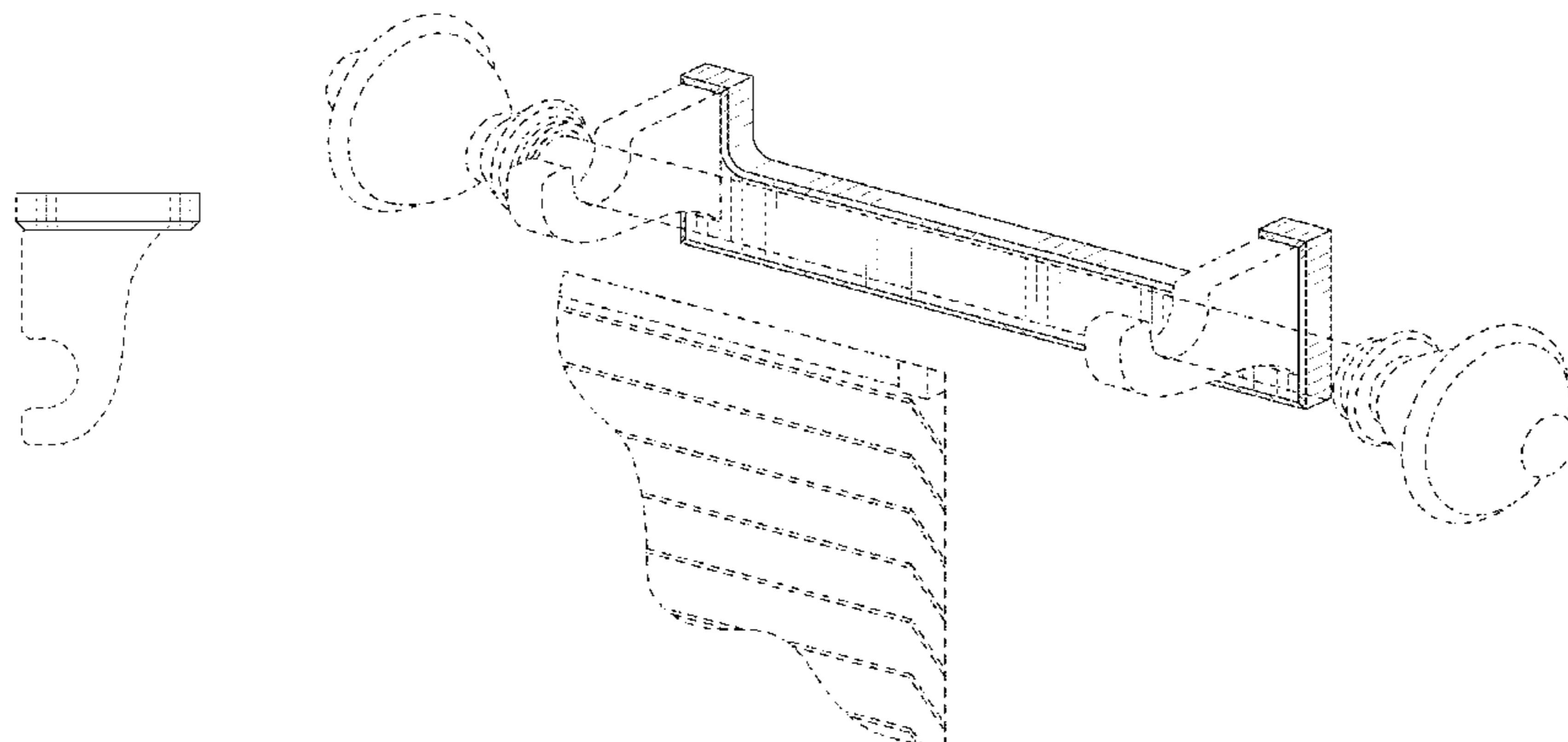
(57) **CLAIM**

The ornamental design for a window treatment bracket, as shown and described.

DESCRIPTION

FIG. 1 is a bottom view of a window treatment bracket showing my new design; and FIG. 2 is a top view thereof; and FIG. 3 is a left side view thereof; and FIG. 4 is a right side view thereof; and FIG. 5 is a rear view thereof; and, FIG. 6 is a front perspective view thereof. The broken lines shown in FIG. 6 illustrates the purpose of use and environment and forms no part of the claimed design.

1 Claim, 5 Drawing Sheets



(56)

References Cited

U.S. PATENT DOCUMENTS

D320,720	S	*	10/1991	Goodman	D6/546
D321,423	S	*	11/1991	Ohm	D32/58
D327,002	S	*	6/1992	Breen	D8/373
D332,212	S	*	1/1993	Mitchell	D6/513
D340,377	S	*	10/1993	Brazis	D6/549
D345,838	S	*	4/1994	Bunn	D34/6
D390,013	S	*	2/1998	Ho	D6/323
D411,701	S	*	6/1999	Klein	D6/323
D441,994	S	*	5/2001	Huggins	D6/521
D473,452	S	*	4/2003	Knapp	D6/323
D487,693	S	*	3/2004	Moen	D8/363
D583,221	S	*	12/2008	Johnsen	D8/354
D605,030	S	*	12/2009	Kohler	D8/380
D805,373	S	*	12/2017	Shoenhair	D8/367

OTHER PUBLICATIONS

Emtek Privacy Pocket Door Hardware, posted as early as Jun. 13, 2010, [retrieved Dec. 26, 2018]. Retrieved from Internet, <URL: https://www.directdoorhardware.com/Emtek_Pocket_Door_2102.htm >.*

Wood Wall Hanging Mount Bracket Samurai Sword , posted as early as May 21, 2017, [retrieved Dec. 26, 2018]. Retrieved from Internet, <URL: https://www.zzdaystore.com/index.php?main_page=product_info&products_id=360914 >.*

Martha Stewart Living > 1 $\frac{3}{8}$ in. Wood Single Bracket in Heritage Oak, posted as early as Jun. 9, 2013, [retrieved Jan. 7, 2019]. Retrieved from Internet, <URL: <https://www.homedepot.com/p/Martha-Stewart-Living-1-3-8-in-Wood-Single-Bracket-in-Heritage-Oak-33-BS-2/203721234> >.*

* cited by examiner

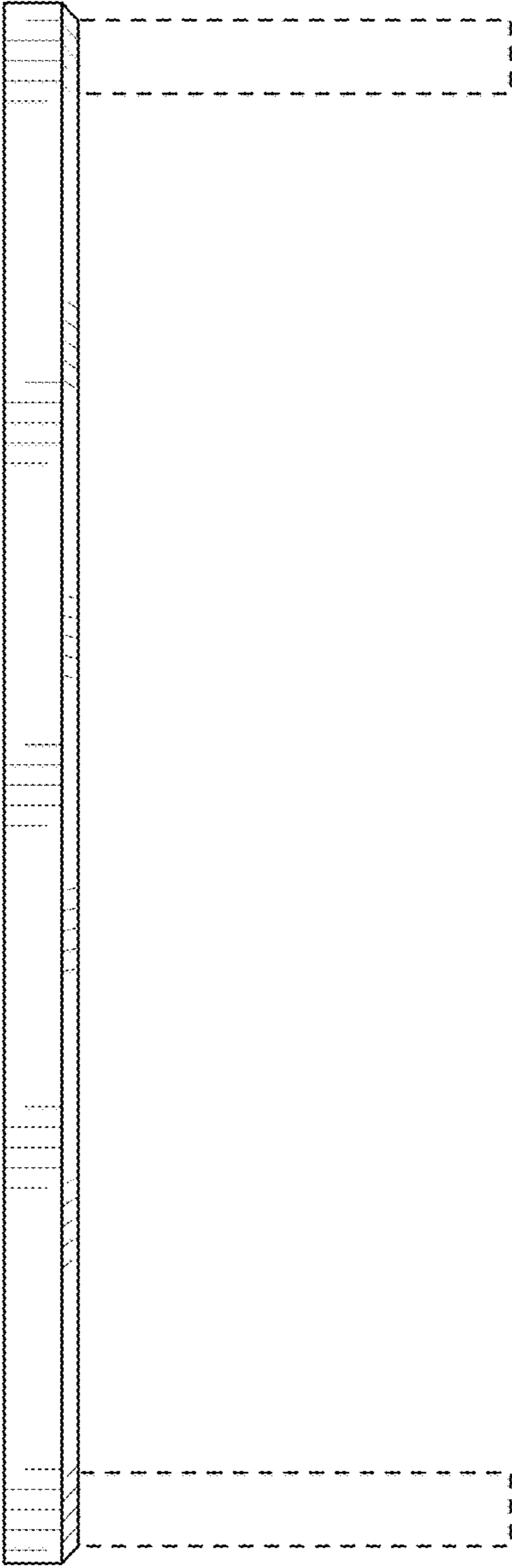


FIG. 1

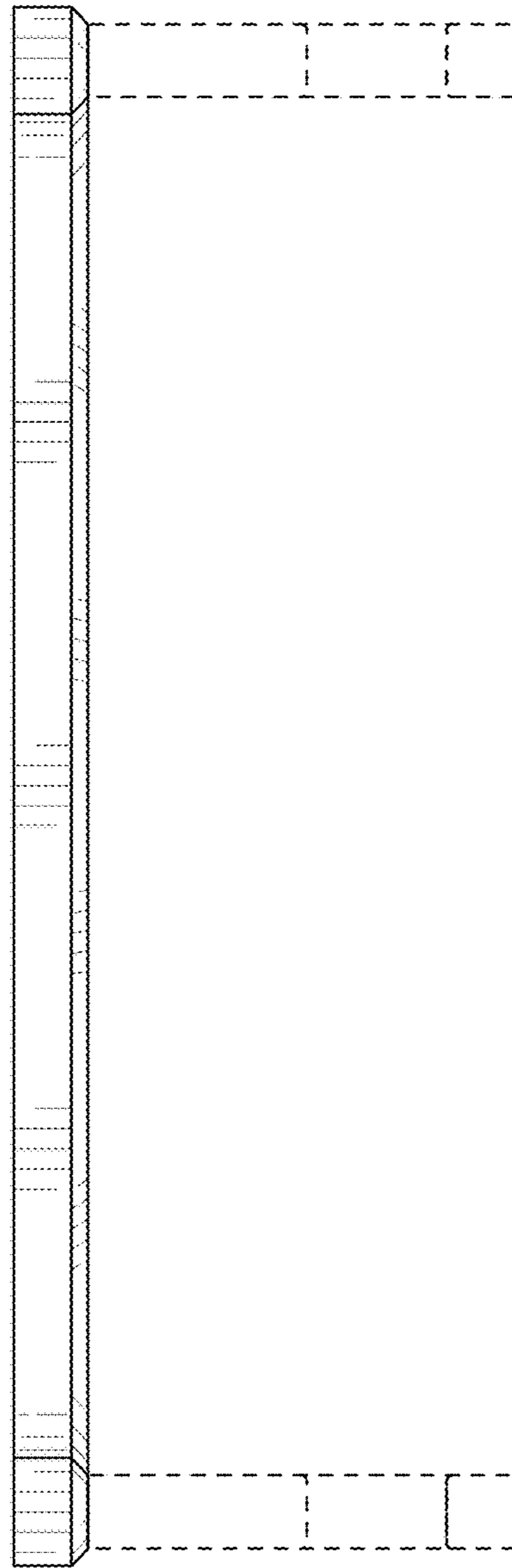


FIG. 2

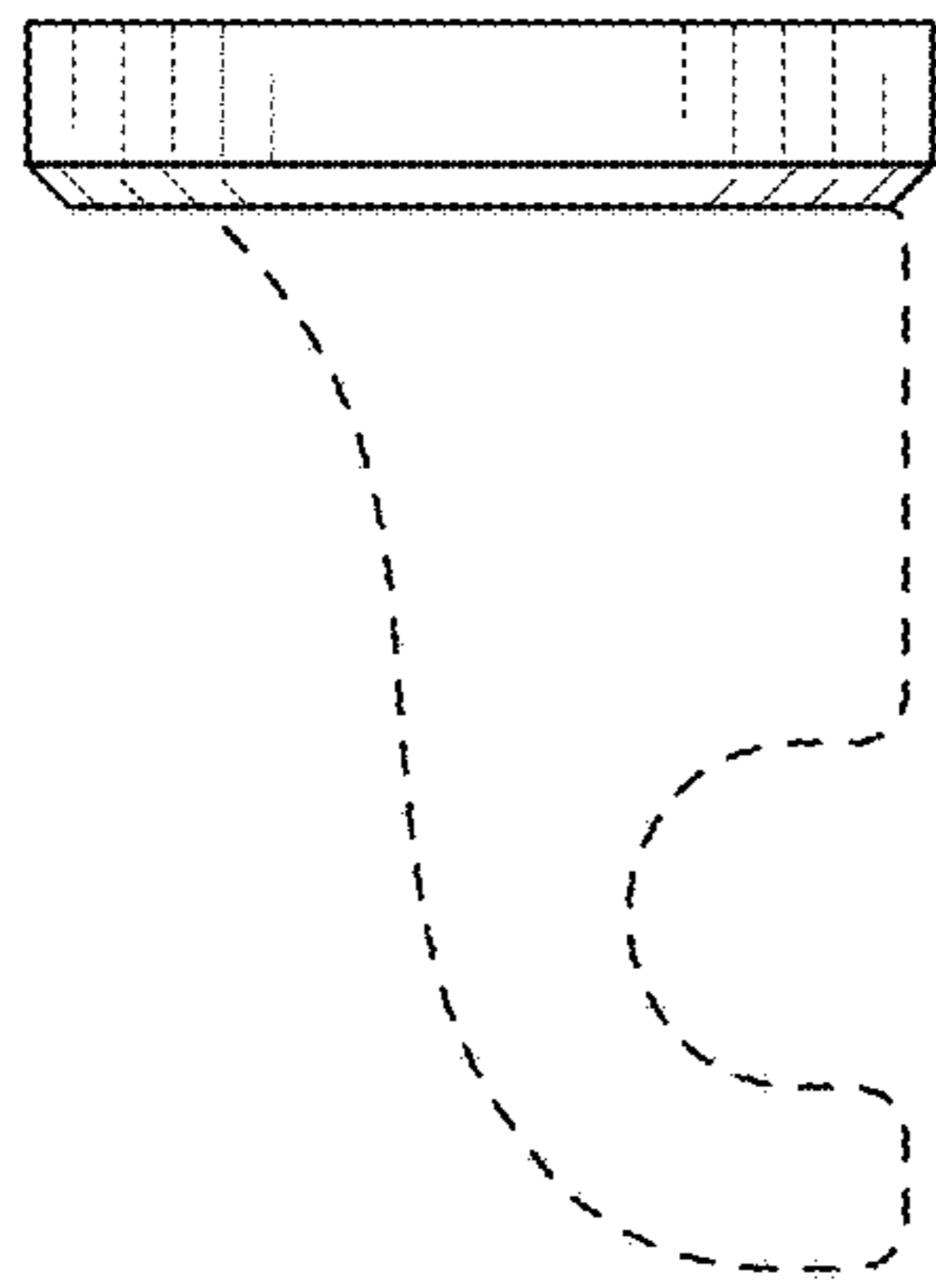


FIG. 3

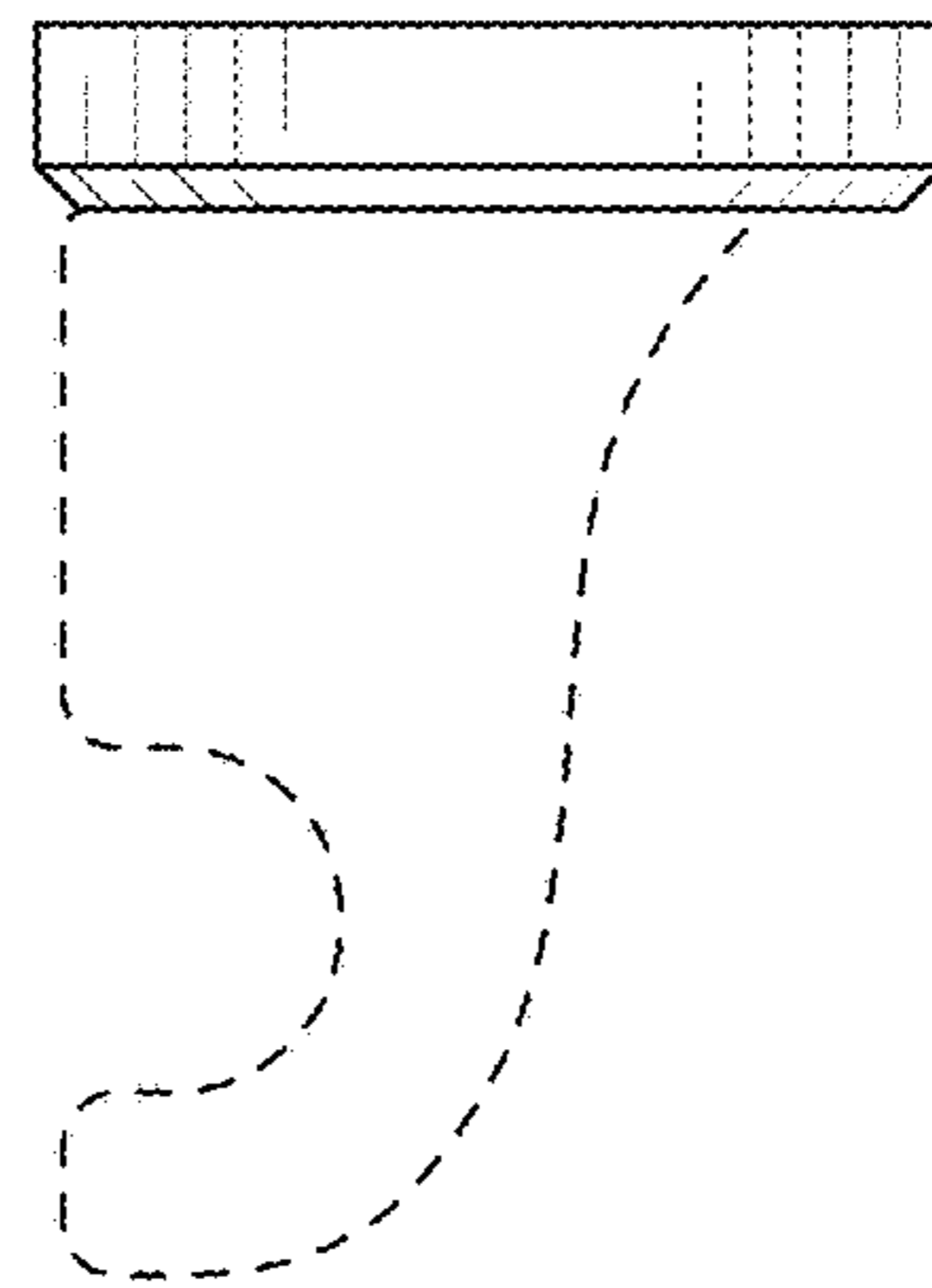


FIG. 4

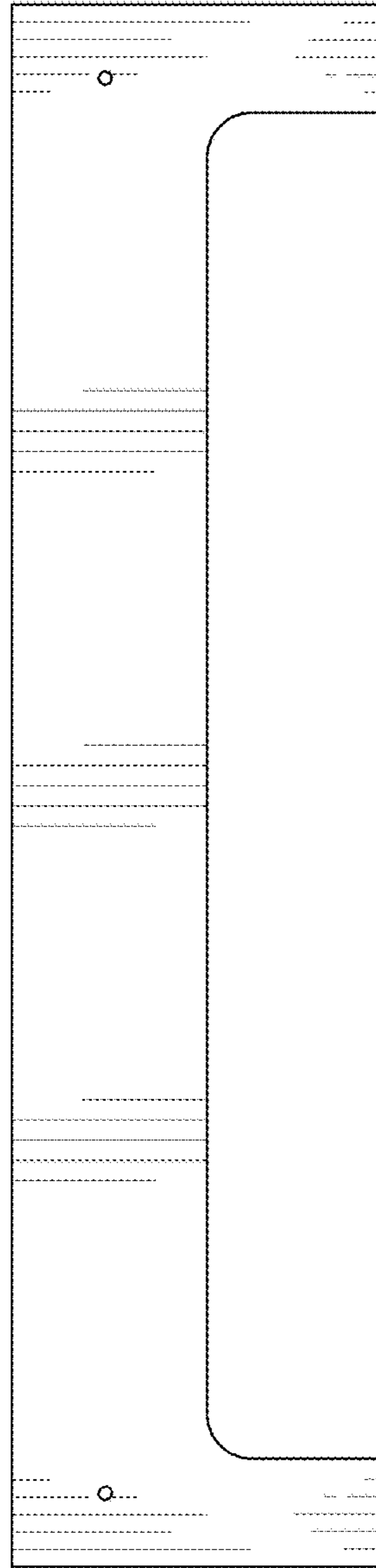


FIG. 5

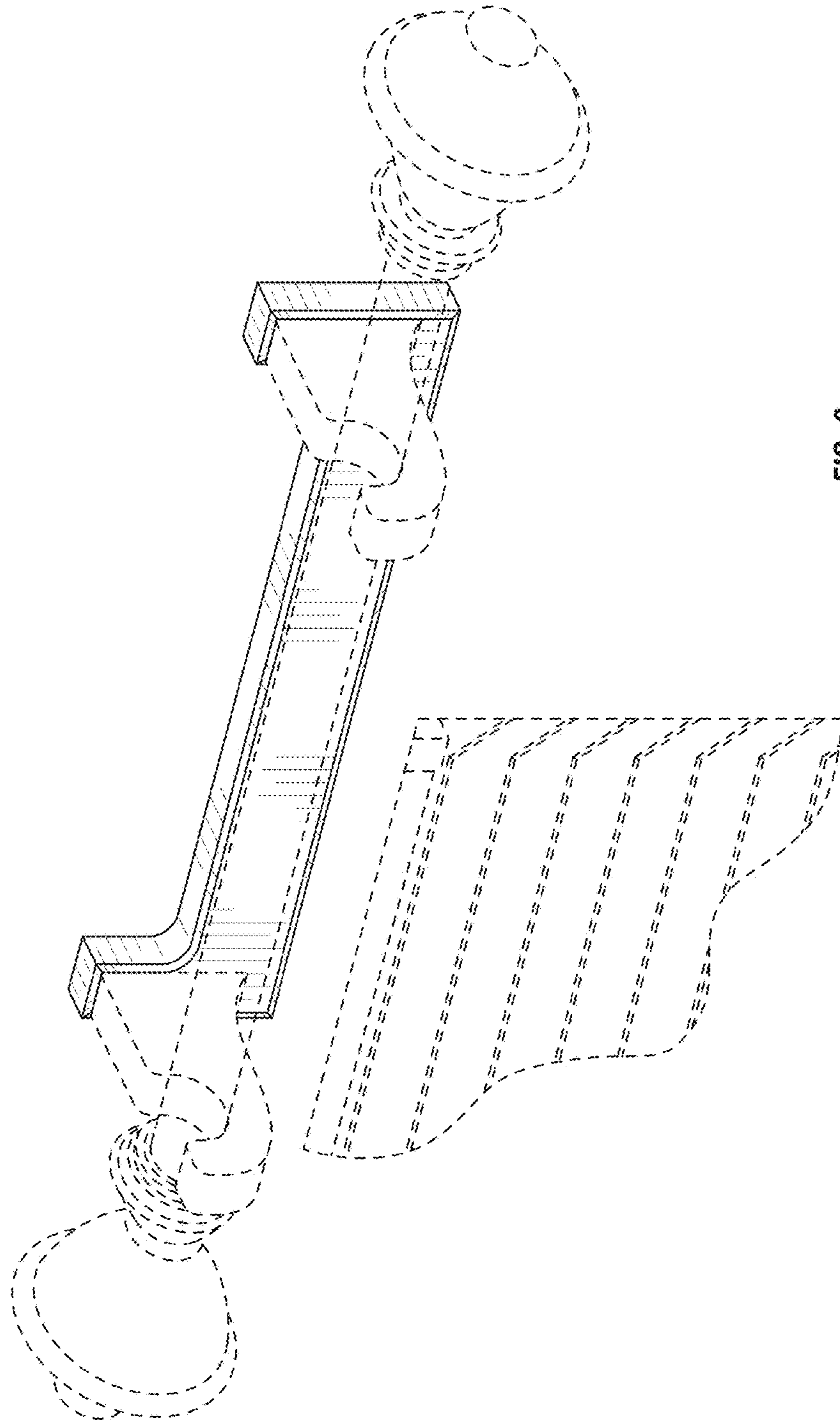


FIG. 6