



US00D848242S

(12) **United States Design Patent**
DiCioccio

(10) **Patent No.:** **US D848,242 S**

(45) **Date of Patent:** **** May 14, 2019**

(54) **SUCTION MOUNTABLE HANGER FOR EYEWEAR AND OTHER ARTICLES**

(71) Applicant: **Joseph A. DiCioccio**, Bonita Springs, FL (US)

(72) Inventor: **Joseph A. DiCioccio**, Bonita Springs, FL (US)

(73) Assignee: **IZZI MO LLC**, Bonita Springs, FL (US)

(**) Term: **15 Years**

(21) Appl. No.: **29/538,737**

(22) Filed: **Sep. 8, 2015**

(51) **LOC (11) Cl.** **08-05**

(52) **U.S. Cl.**
USPC **D8/354**

(58) **Field of Classification Search**
USPC D8/354, 373, 349; 351/155; 248/206.2, 248/205.5
CPC G02C 3/00; G02C 3/04; A45F 5/00; A45F 2200/0541
See application file for complete search history.

(56) **References Cited**

U.S. PATENT DOCUMENTS

- 4,452,354 A * 6/1984 Tabachnick A45C 11/04 206/5
- 4,779,829 A * 10/1988 Rocke A47G 29/08 248/206.2
- D376,308 S * 12/1996 Lee D8/354
- 5,845,369 A * 12/1998 Dunchock A45F 5/02 24/3.3
- D447,012 S * 8/2001 Owens D7/620
- 7,651,063 B2 * 1/2010 Jensen F16B 45/00 248/205.5
- 9,572,415 B2 * 2/2017 Durocher A45F 5/02

- D796,196 S * 9/2017 Byrnes D3/266
- 2007/0215493 A1 * 9/2007 Servis A45C 11/04 206/5
- 2009/0126159 A1 * 5/2009 Murphy, Jr. A45F 5/00 24/3.3
- 2012/0118923 A1 * 5/2012 Allen A63B 57/00 224/191
- 2013/0057823 A1 * 3/2013 Cluff G02C 3/04 351/155

* cited by examiner

Primary Examiner — Janice Hallmark

Assistant Examiner — Harold E Blackwell, II

(74) *Attorney, Agent, or Firm* — William E. Noonan

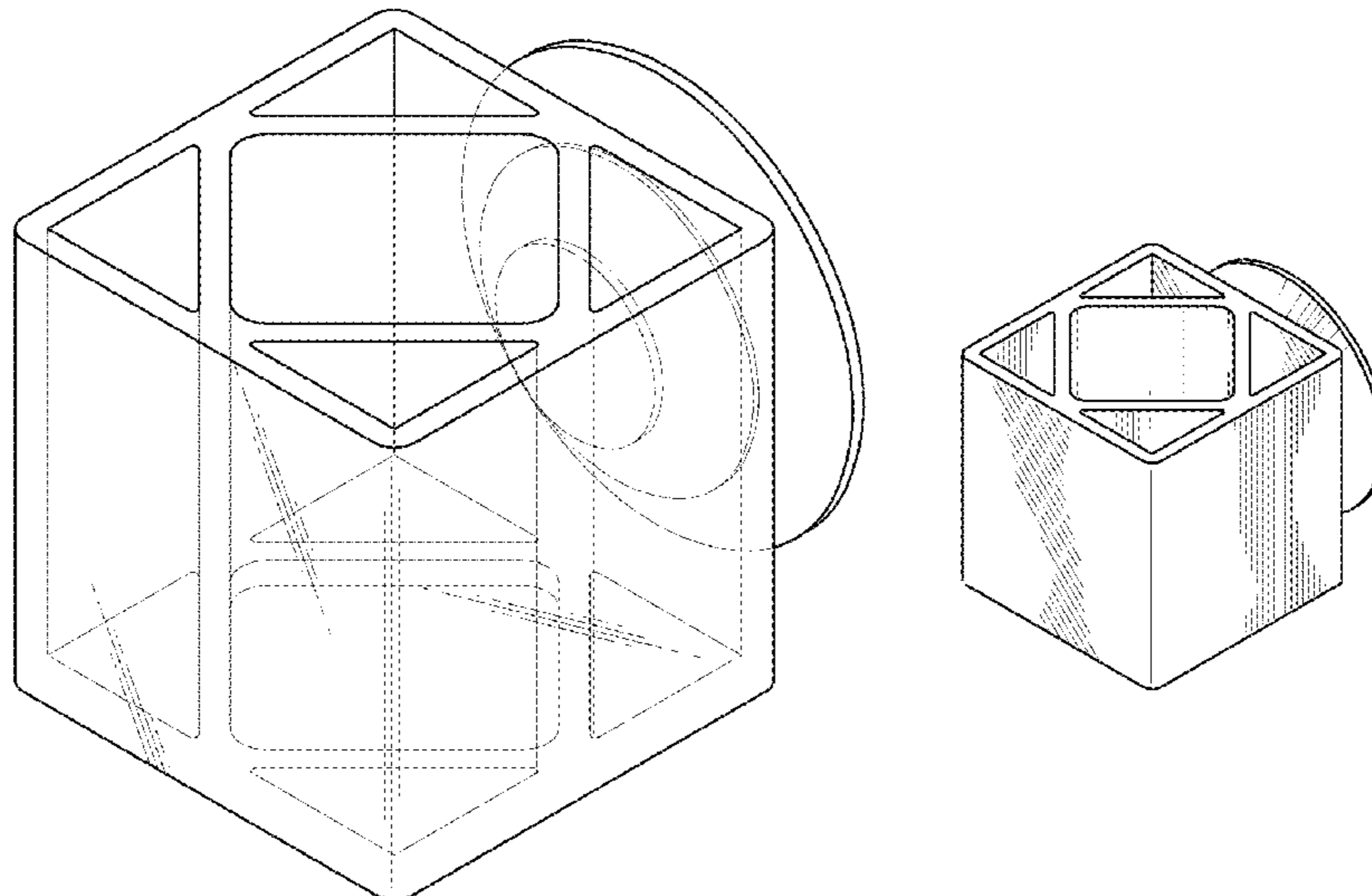
(57) **CLAIM**

The ornamental design for a suction mountable hanger for eyewear and other articles, as shown and described.

DESCRIPTION

FIG. 1 is a top perspective view of a first transparent embodiment of the suction mountable hanger for eyewear and other articles;
 FIG. 2 is a top plan view thereof;
 FIG. 3 is a bottom plan view thereof;
 FIG. 4 is a side elevational view thereof;
 FIG. 5 is a front elevational view thereof;
 FIG. 6 is a rear elevational view thereof;
 FIG. 7 is a top perspective view of a second opaque embodiment of the suction mountable hanger for eyewear and other articles;
 FIG. 8 is a bottom perspective view thereof; and,
 FIG. 9 is a side elevational view thereof, shown in a state of use, mounted to a wall surface and holding eyewear. The broken lines showing a wall surface and eyewear are for illustrative purposes only and form no part of the claimed design.

1 Claim, 5 Drawing Sheets



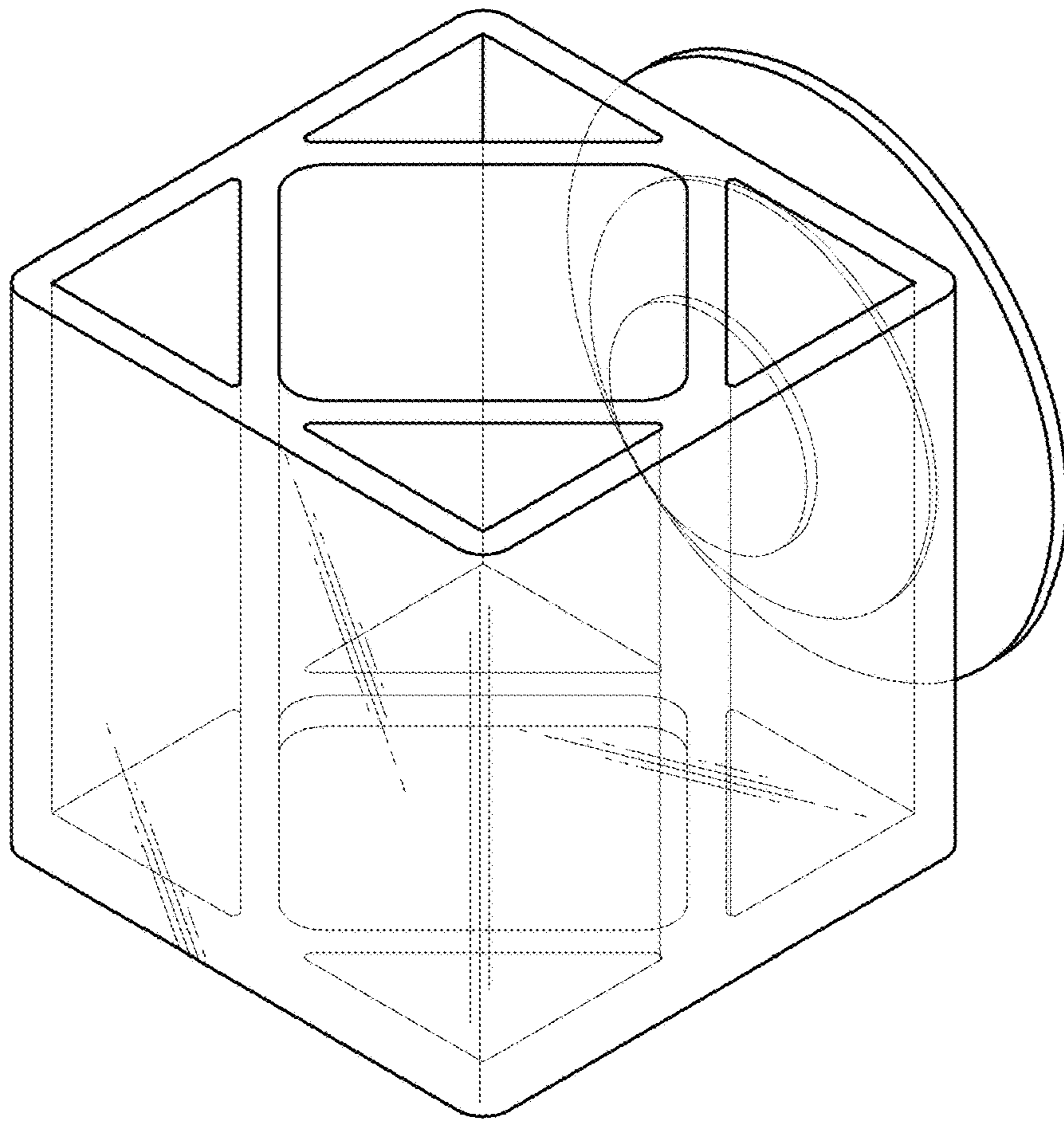


Fig. 1

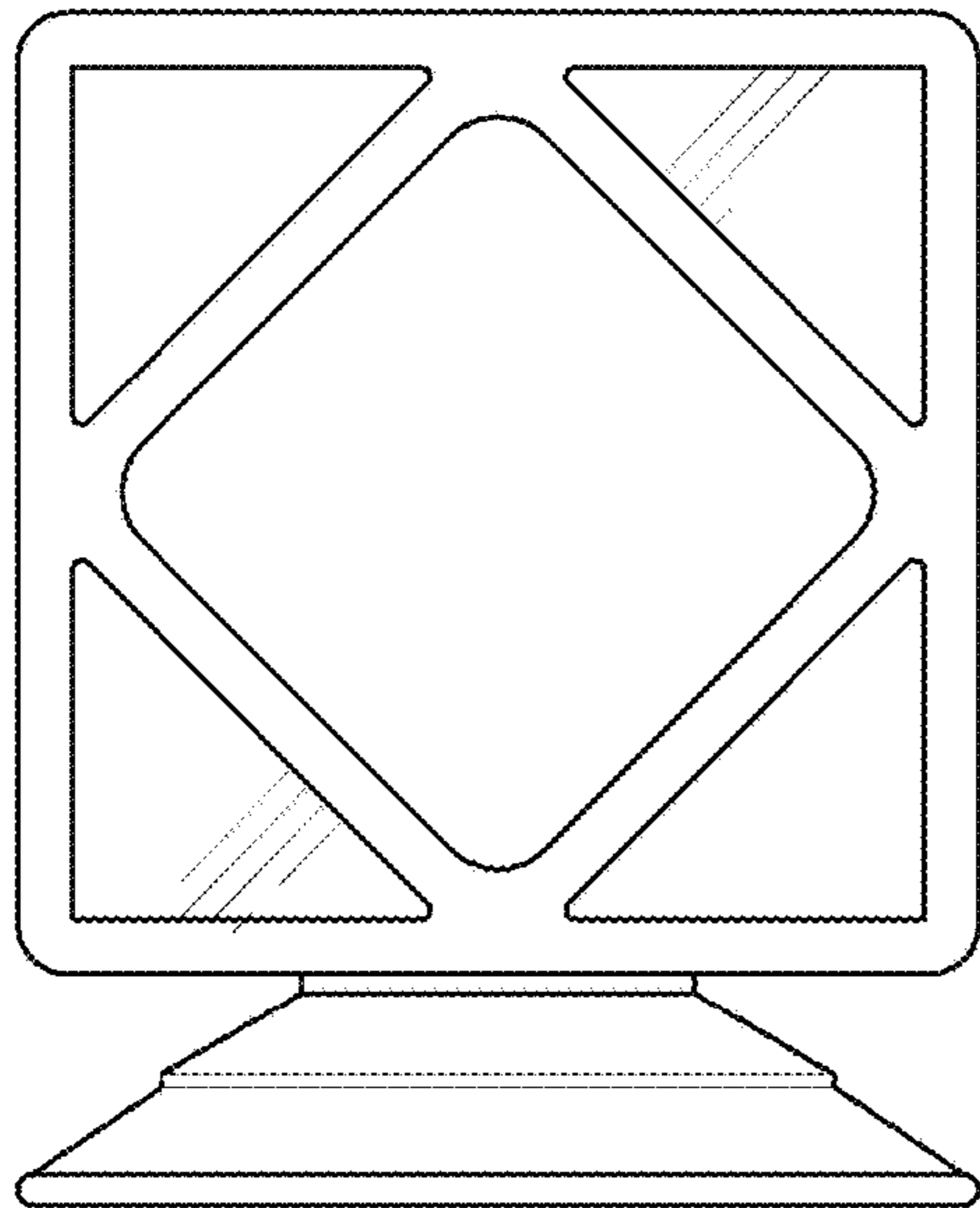


Fig. 2

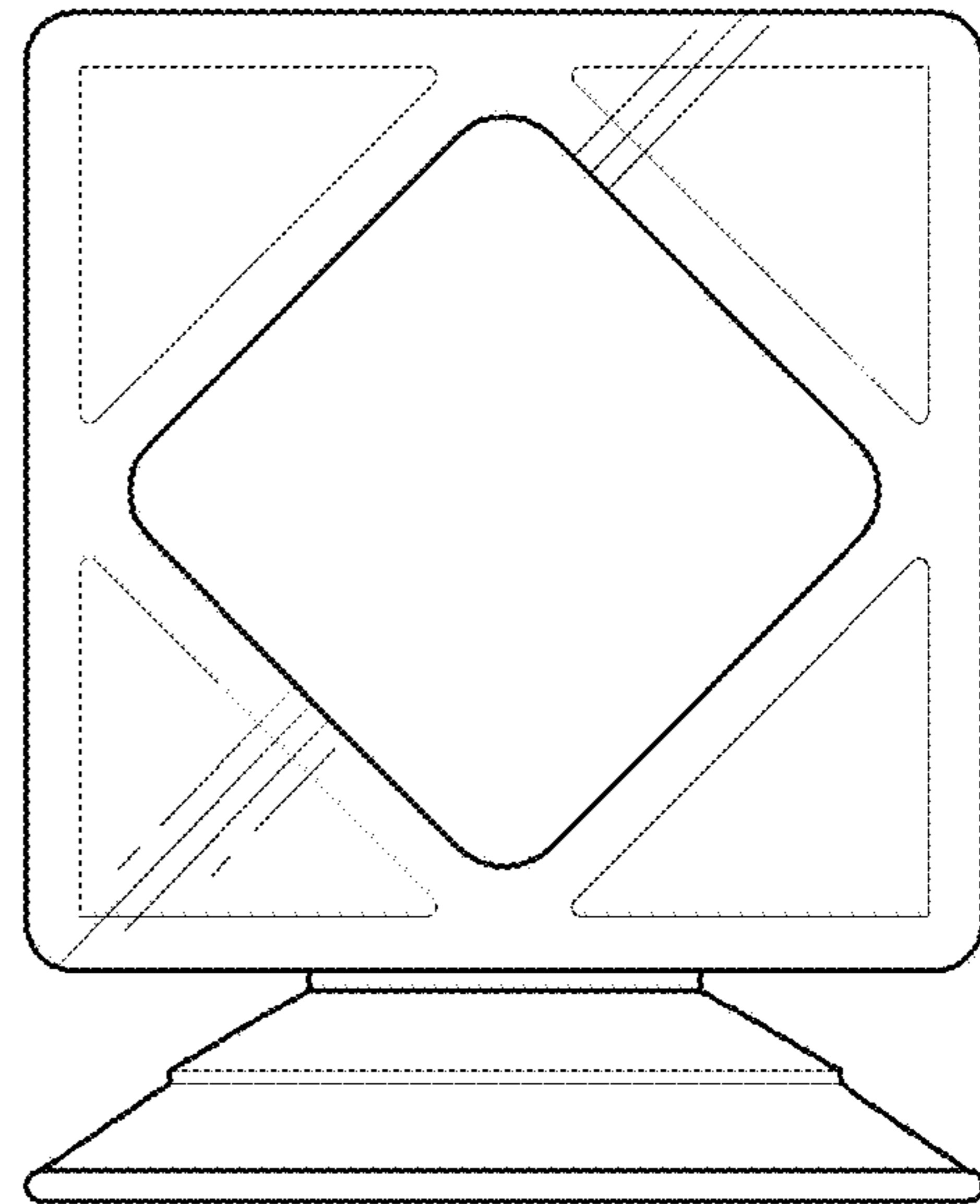


Fig. 3

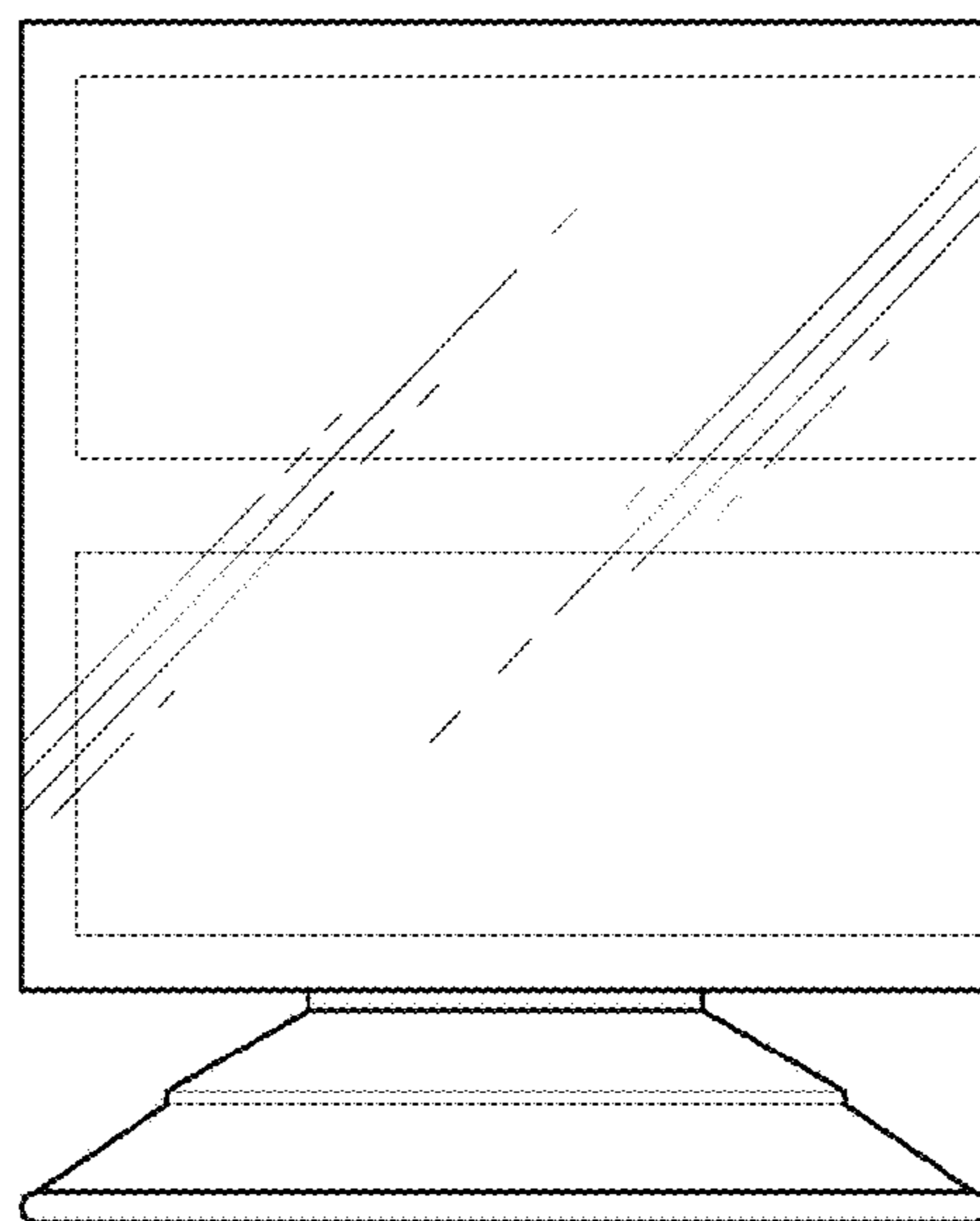


Fig. 4

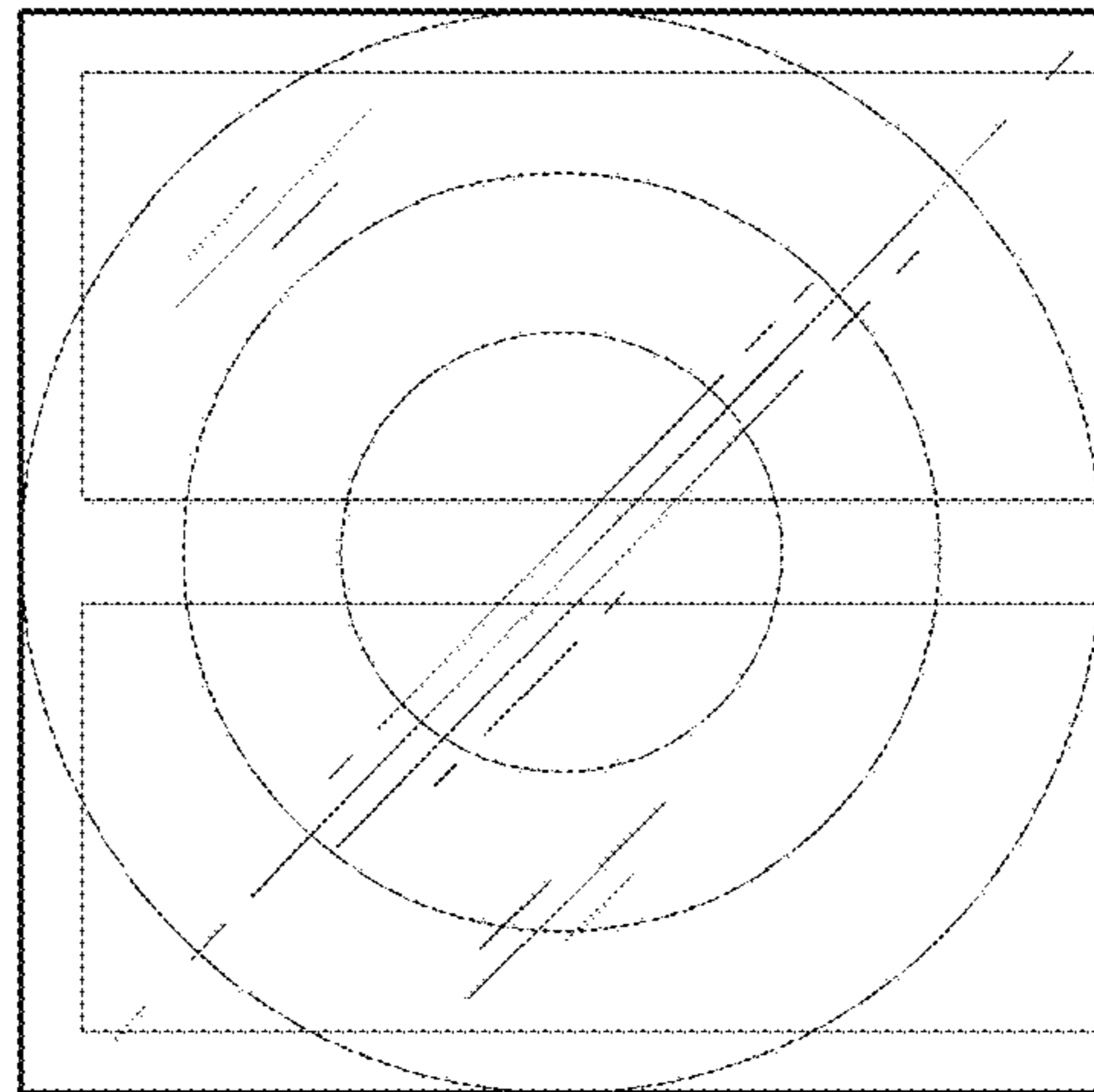


Fig. 5

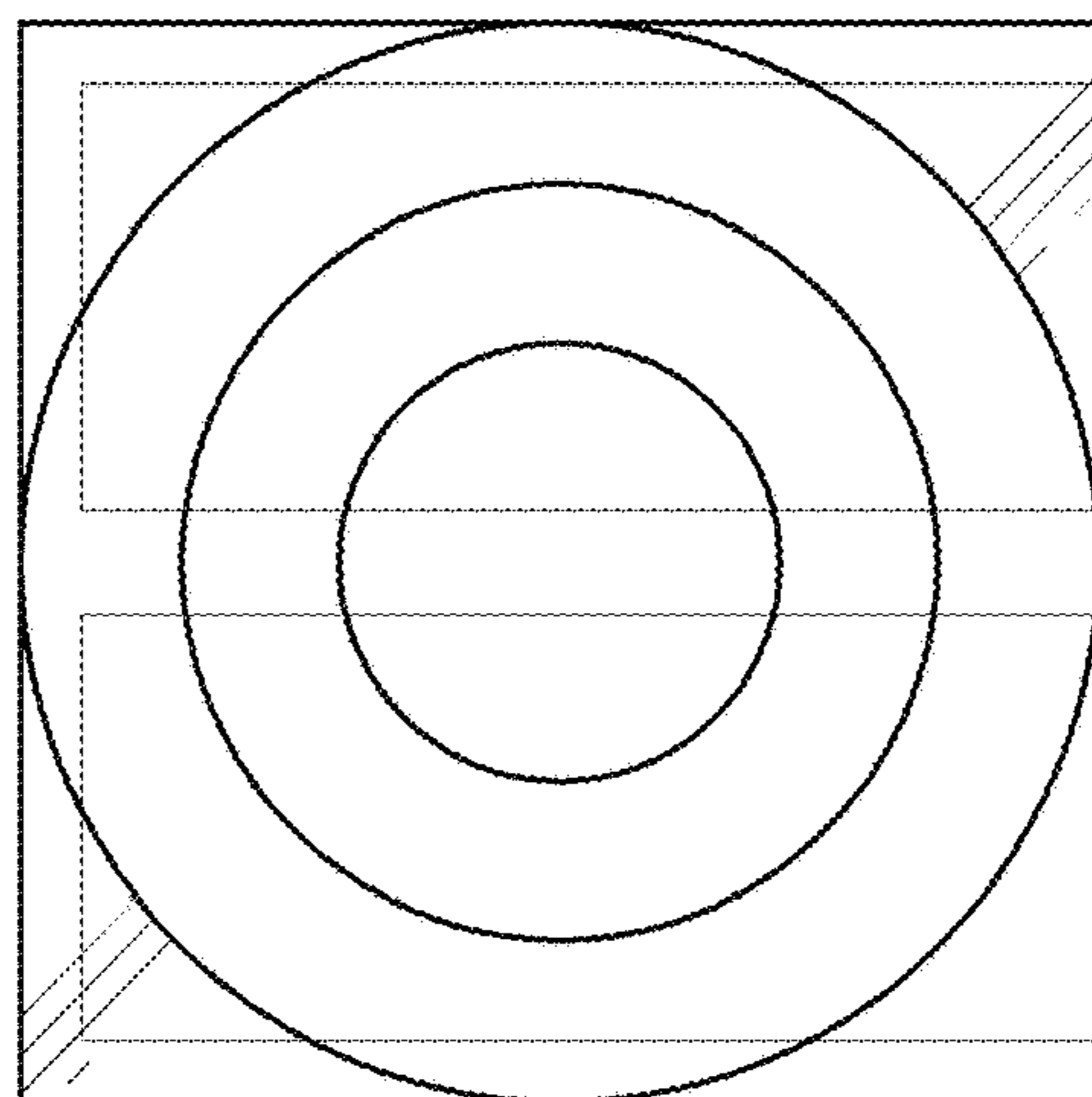


Fig. 6

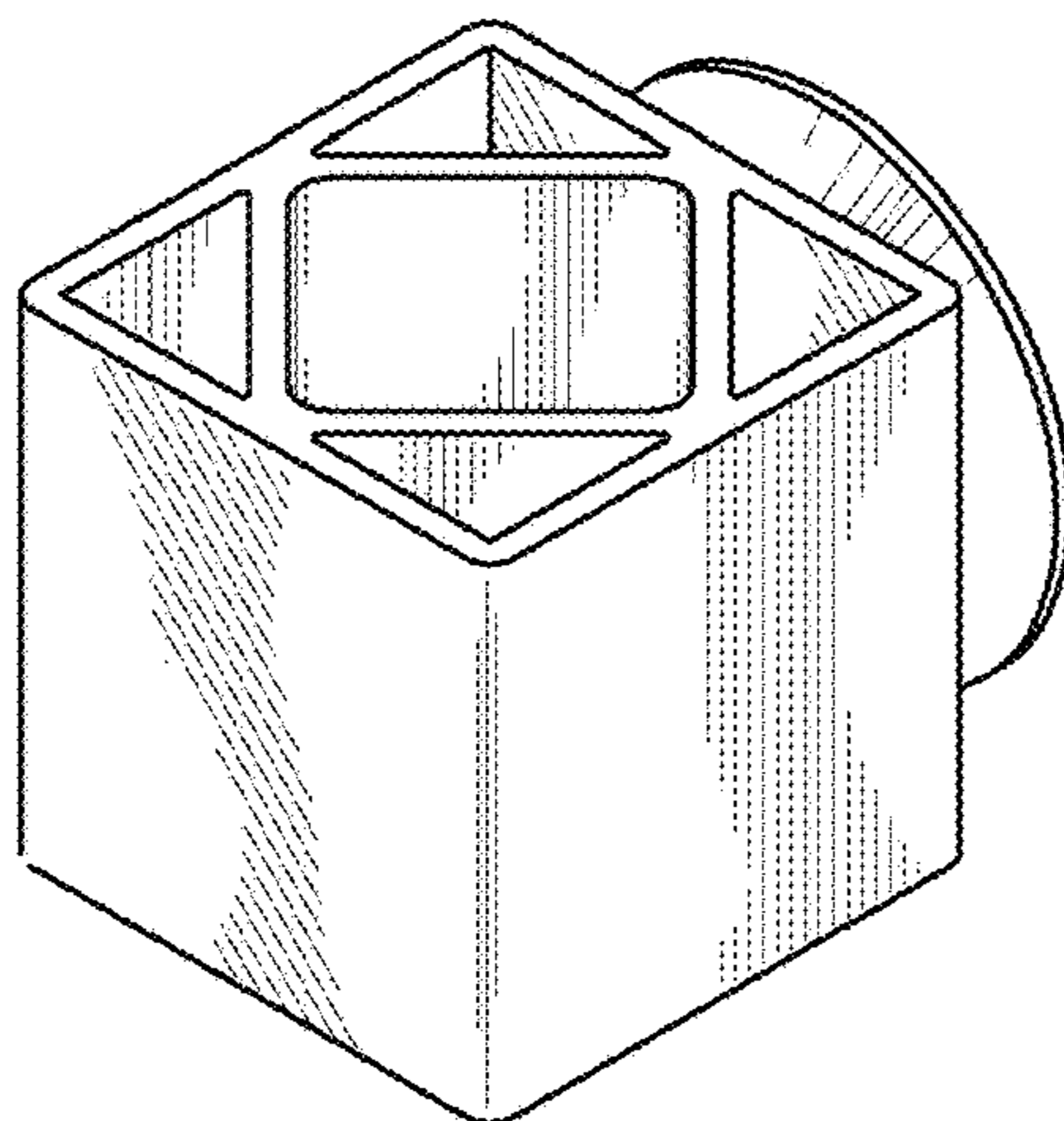


Fig. 7

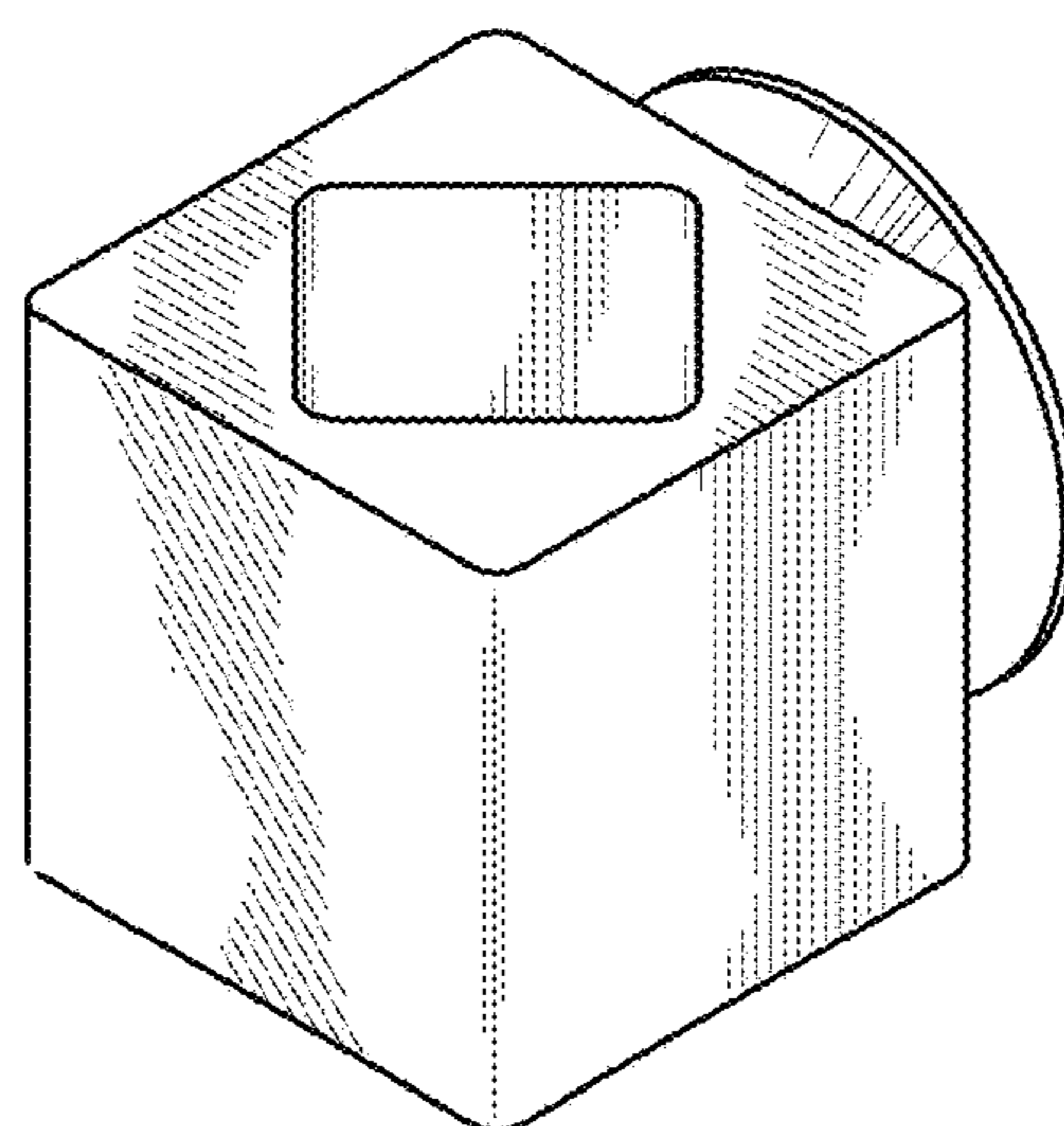


Fig. 8

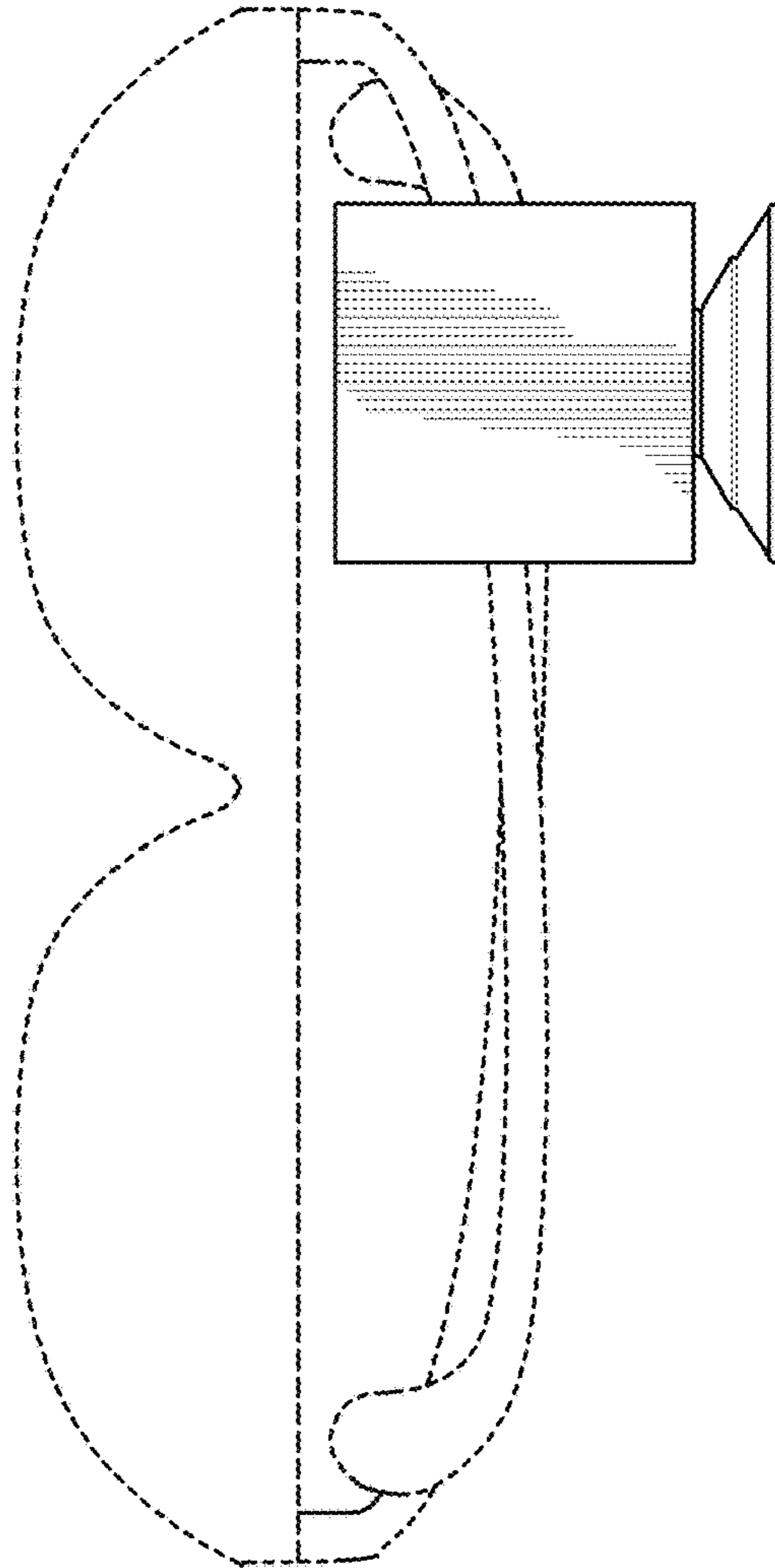


Fig. 9