



US00D848240S

(12) **United States Design Patent**
Higgs

(10) **Patent No.:** **US D848,240 S**

(45) **Date of Patent:** **** May 14, 2019**

(54) **SUCTION GRAB BAR**

(71) Applicant: **HIGGS MEDICAL PRODUCTS, INC.**, Chester, NJ (US)

(72) Inventor: **Paul E. Higgs**, Chester, NJ (US)

(73) Assignee: **HIGGS MEDICAL PRODUCTS, INC.**, Chester, NJ (US)

(**) Term: **15 Years**

(21) Appl. No.: **29/585,810**

(22) Filed: **Nov. 29, 2016**

(51) **LOC (11) Cl.** **08-06**

(52) **U.S. Cl.**
USPC **D8/315**

(58) **Field of Classification Search**
USPC D8/310, 312, 315-320, 300, 302, 308, D8/309, DIG. 2; 248/205.5, 205.8, 207; 16/406, 413, 422, 412, 415, 420, 16/443-444; 294/185-189; D15/89, 142; D3/300, 317-319; D23/250; D7/349, D7/350.1; 292/336.3; 256/65.01
CPC A47K 3/003; A47K 17/022; A47K 17/024; Y10T 16/4559; Y10T 16/498; Y10T 16/458; E04F 11/1836; E04F 11/1804; E04F 11/1808; E04F 2011/1889; E04F 2011/1897; F16B 47/00; F16B 47/006; E05B 1/0053

See application file for complete search history.

(56) **References Cited**

U.S. PATENT DOCUMENTS

- 2,679,998 A * 6/1954 Keller F16B 47/003
248/205.3
- D182,457 S * 4/1958 Dargene D8/307
- D182,568 S * 4/1958 Dargene D8/307
- D240,589 S * 7/1976 Cooper D8/330
- D379,453 S * 5/1997 Fabrizi D13/156
- D455,823 S * 4/2002 Zetsche D23/304
- D494,848 S * 8/2004 Brass D8/382

- D528,403 S * 9/2006 Xu D8/353
- D560,174 S * 1/2008 Sinai D13/173
- D561,557 S * 2/2008 McConnell D8/316
- D563,761 S * 3/2008 Ricereto D8/316
- D587,982 S * 3/2009 Mattson D8/317
- D629,281 S * 12/2010 Belokin D8/349
- D635,005 S * 3/2011 McConnell D8/316

(Continued)

FOREIGN PATENT DOCUMENTS

CN 303548695 * 1/2016

OTHER PUBLICATIONS

Bed Bath & Beyond; OXO Good Grips® StrongHold™ Suction Grip Bar; <http://www.bedbathandbeyond.com/store/product/oxo-good-grip-reg-stronghold-trade-suction-grip-bar/1040620565>.

Primary Examiner — Shannon W Morgan

Assistant Examiner — Altaira J Swangin

(74) *Attorney, Agent, or Firm* — Budzyn IP Law, LLC.

(57) **CLAIM**

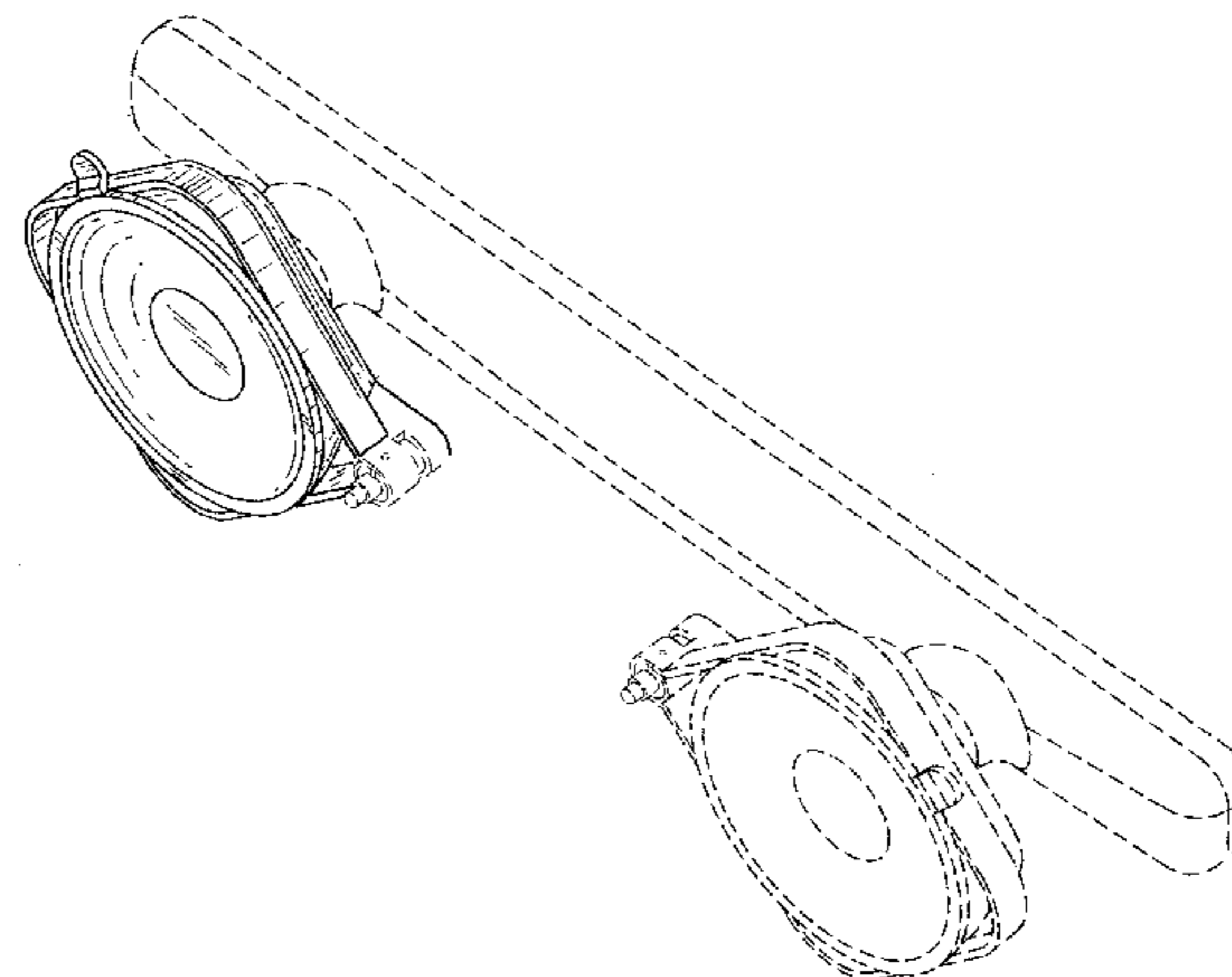
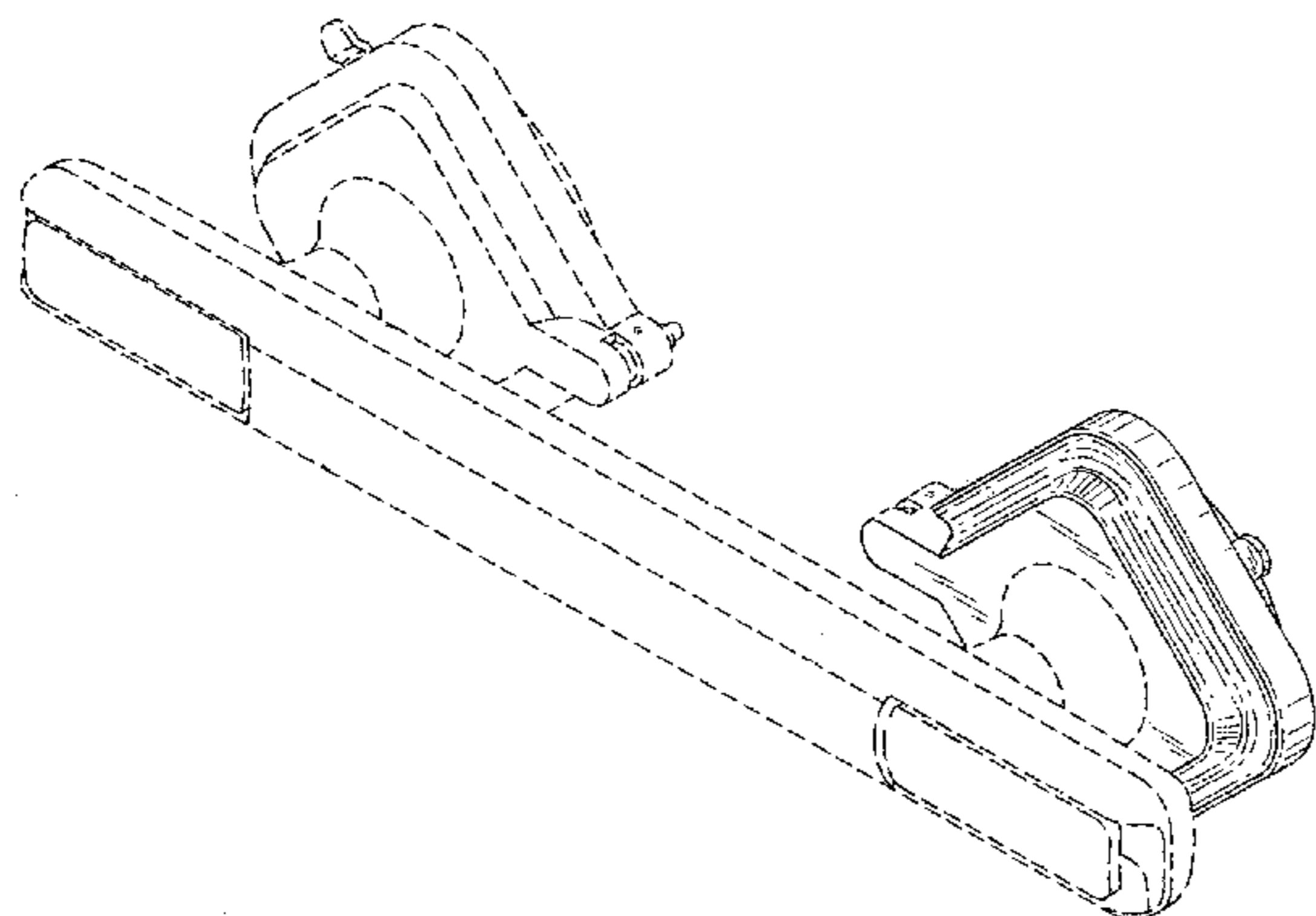
The ornamental design for a suction grab bar, as shown and described.

DESCRIPTION

FIG. 1 is a front perspective view of a suction grab bar in accordance with the present invention;
 FIG. 2 is a rear perspective view thereof;
 FIG. 3 is a bottom perspective view thereof;
 FIG. 4 is a top plan view thereof;
 FIG. 5 is a front elevational view thereof;
 FIG. 6 is a right side elevational view thereof, the left side elevational view being a mirror image of the right side elevational view;
 FIG. 7 is a rear elevational view thereof; and,
 FIG. 8 is a bottom plan view thereof.

The broken lines shown in the Figures are included for the purpose of illustrating portions of the suction grab bar which form no part of the claimed design.

1 Claim, 6 Drawing Sheets



(56)

References Cited

U.S. PATENT DOCUMENTS

D679,983	S *	4/2013	Ramsland	D8/316
D731,291	S *	6/2015	Boeltl	D6/524
D734,399	S *	7/2015	Baumann	D21/398
D740,102	S *	10/2015	Belokin	D8/349
D759,471	S *	6/2016	Lee	D8/382
D782,210	S *	3/2017	Jang	D6/300
D812,383	S *	3/2018	Kwiatkowski	D6/300
D814,825	S *	4/2018	Ravassa	D6/549
D825,204	S *	8/2018	Umholtz	D6/300
10,100,551	B2 *	10/2018	Pacheco	E04H 17/20
D833,249	S *	11/2018	Lowe	D8/307
D833,252	S *	11/2018	Lowe	D8/316
10,136,767	B2 *	11/2018	Hurley	A47F 5/0876
2003/0122115	A1 *	7/2003	Ernst	E04H 17/20 256/1
2008/0083859	A1 *	4/2008	Belokin	F16L 347/00 248/205.5
2018/0274722	A1 *	9/2018	Worden, IV	F16M 13/022
2018/0313092	A1 *	11/2018	Forte	E04F 11/1812
2018/0338651	A1 *	11/2018	Burt	A47K 17/00

* cited by examiner

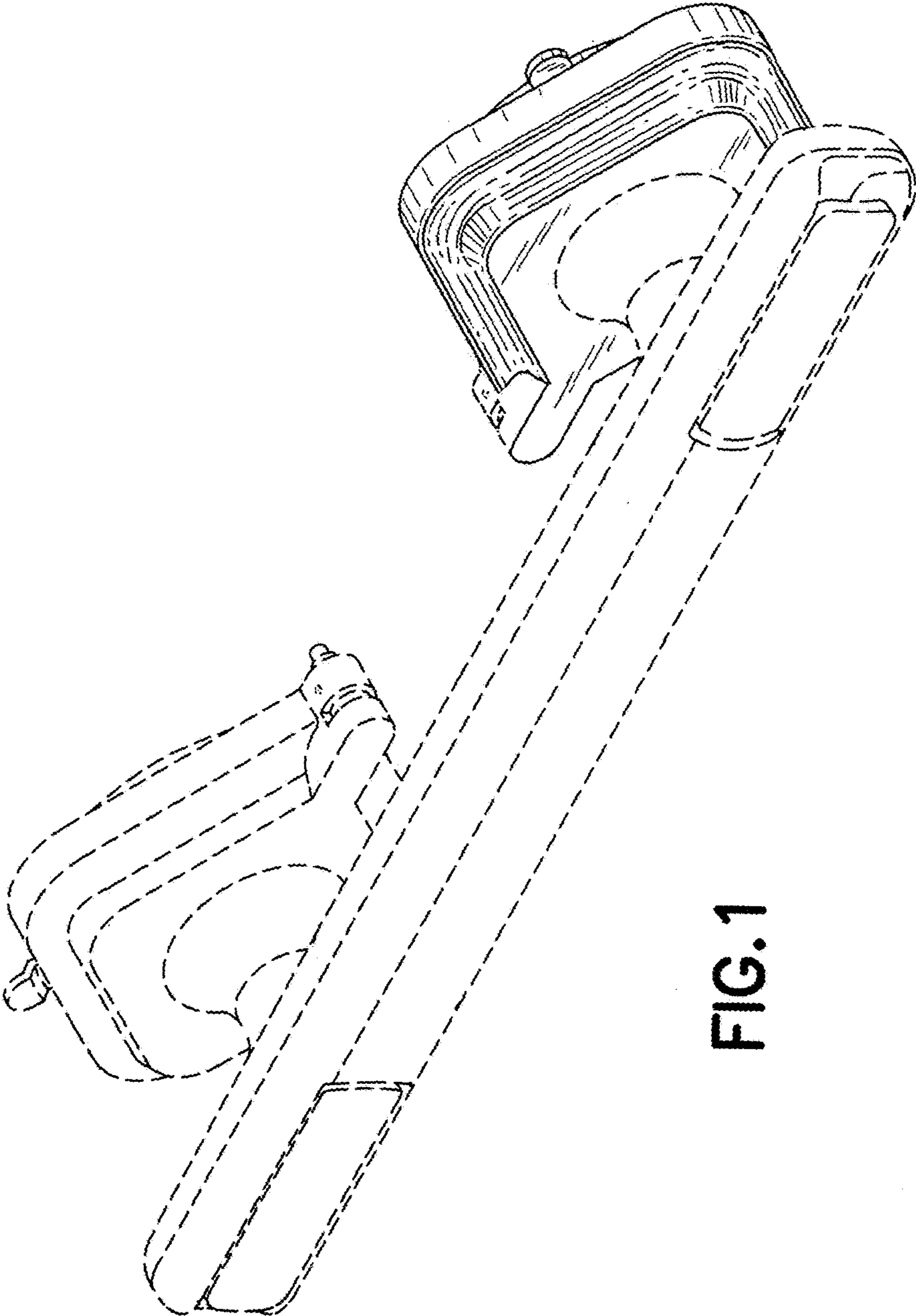


FIG. 1

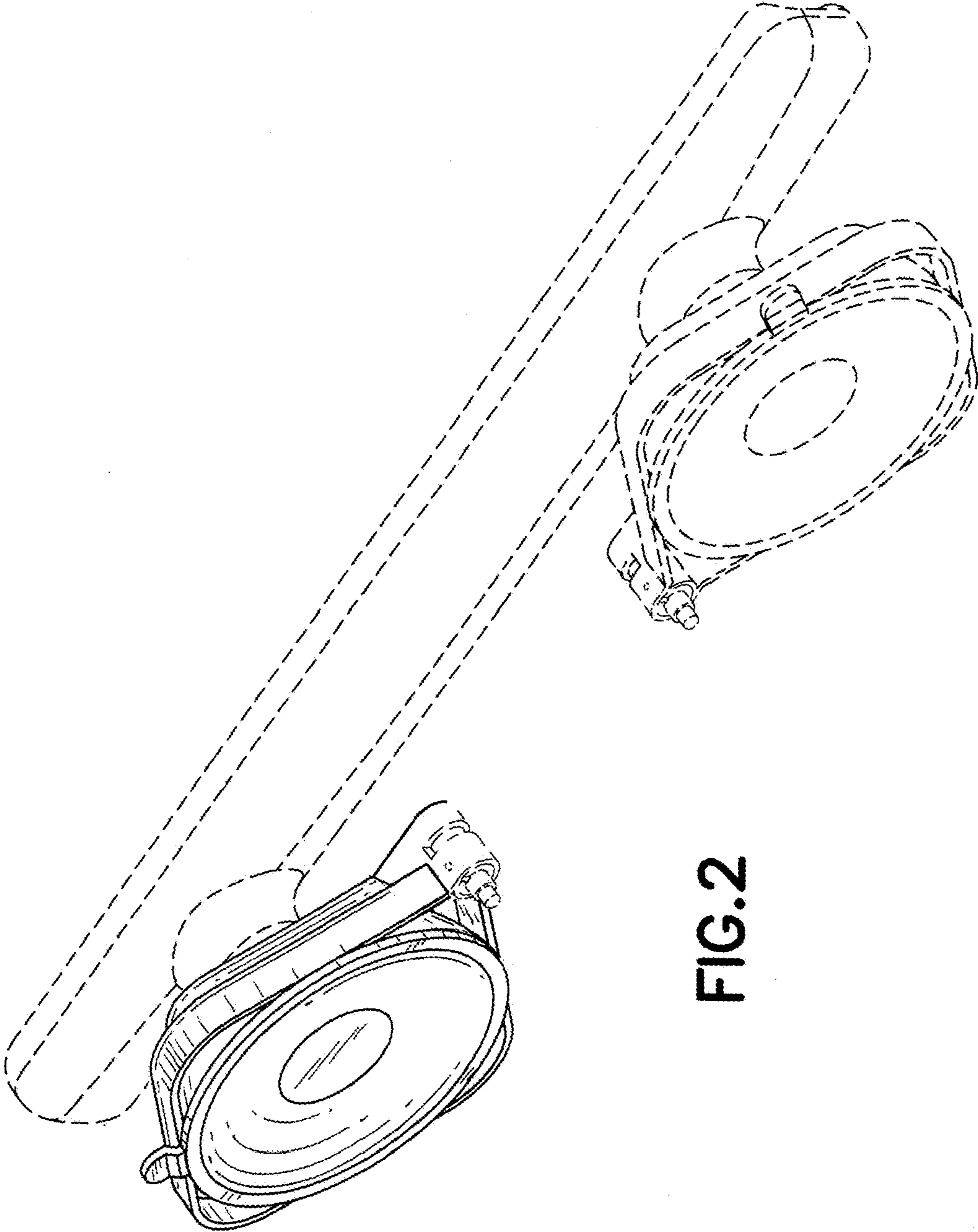


FIG.2

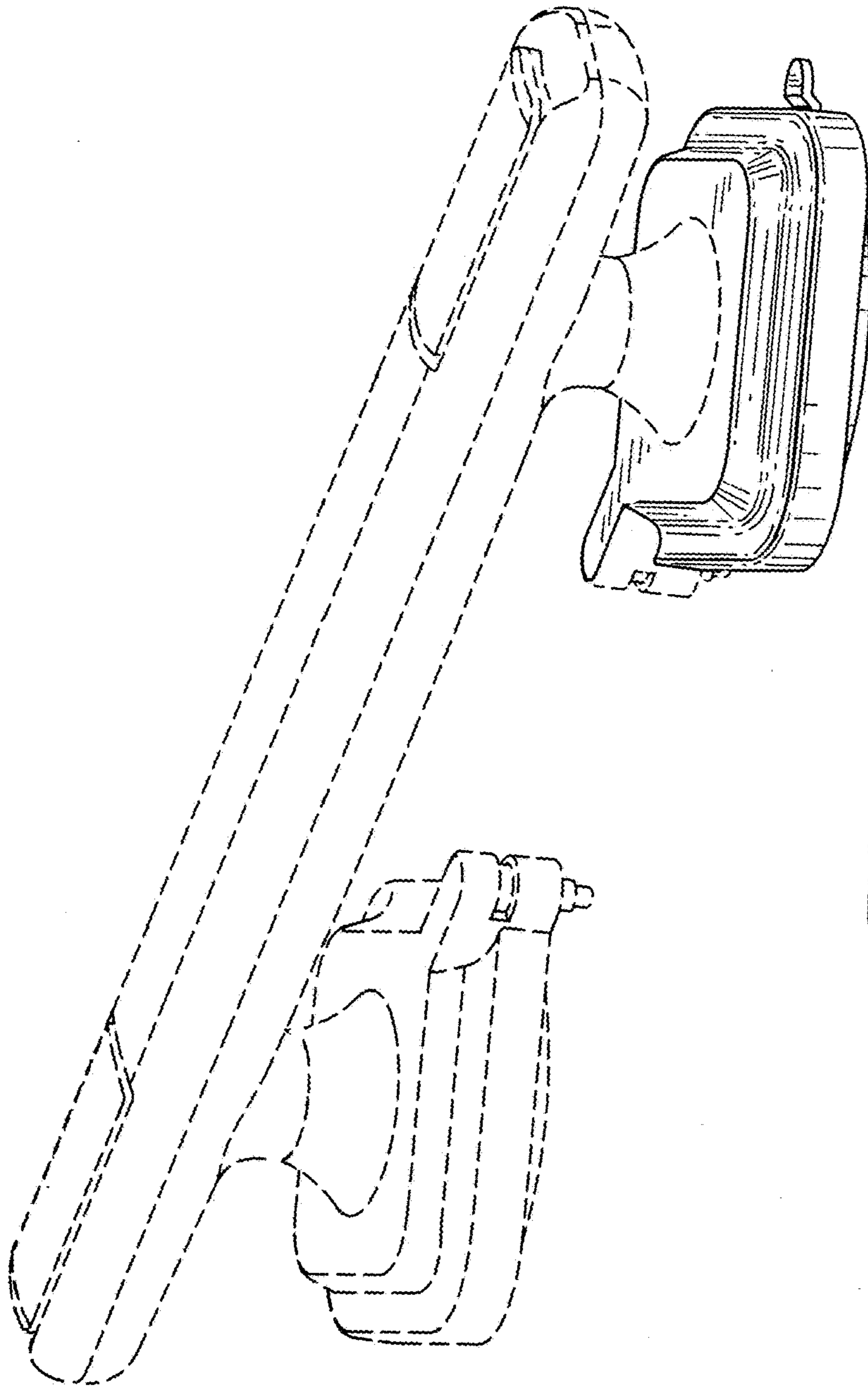


FIG. 3

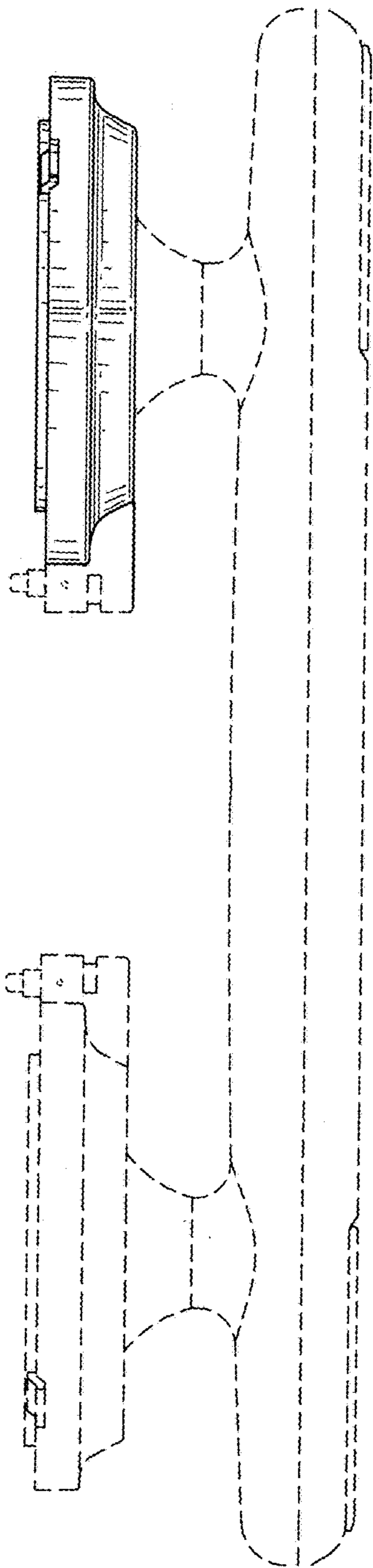


FIG. 4

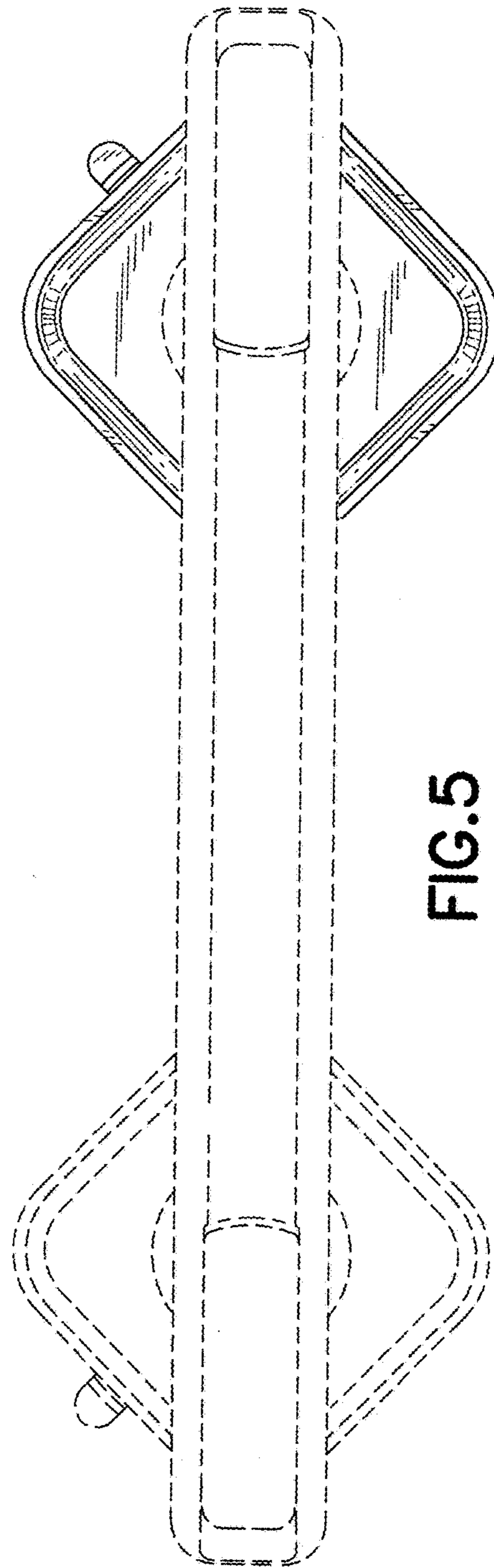


FIG. 5

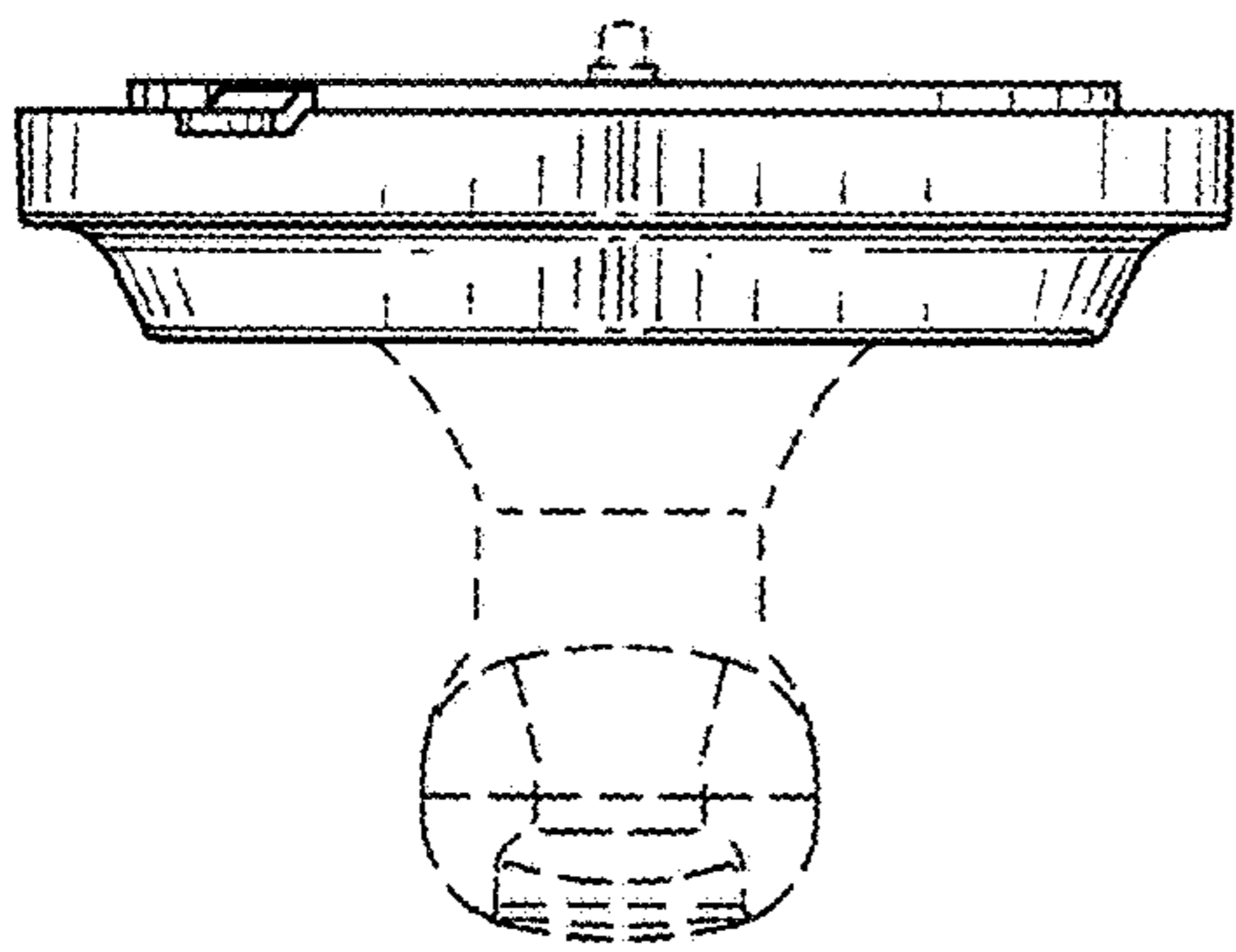


FIG. 6

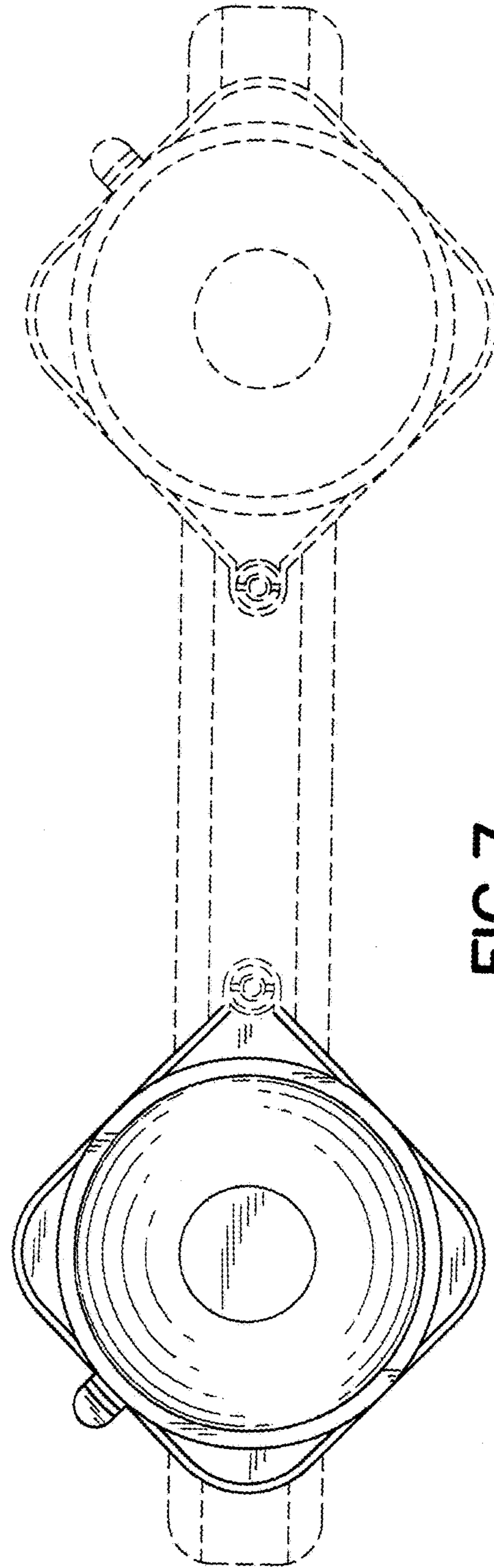


FIG. 7

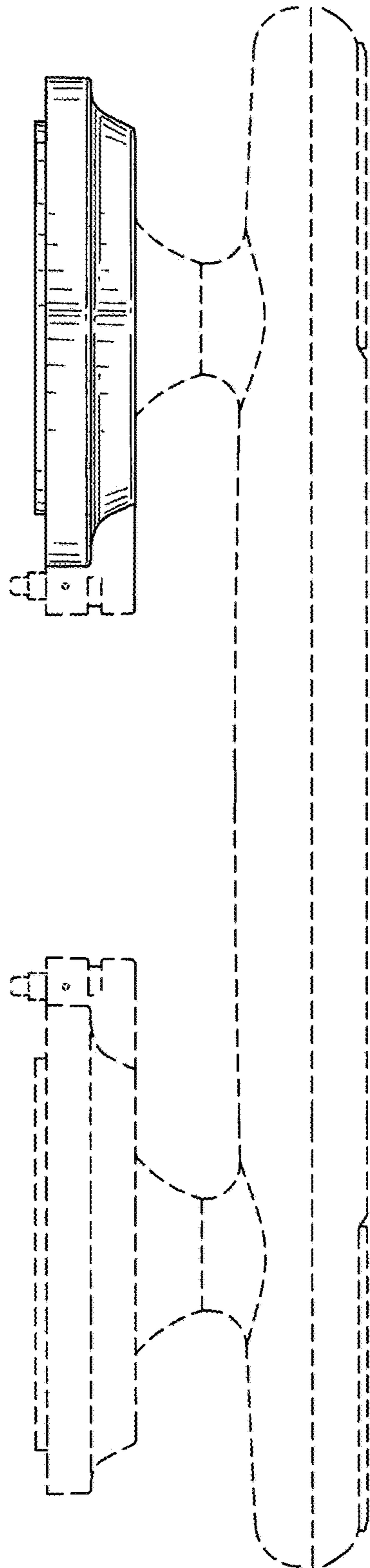


FIG.8