



US00D848237S

(12) **United States Design Patent** (10) **Patent No.:** **US D848,237 S**
Astradsson et al. (45) **Date of Patent:** **** May 14, 2019**

(54) **KNIFE SHAFT**

(71) Applicant: **Mora of Sweden AB**, Mora (SE)

(72) Inventors: **Petter Astradsson**, Vaxholm (SE);
Roger Wikström, Älvdalen (SE);
Markus Leijon, Mora (SE)

(73) Assignee: **Morakniv AB**, Mora (SE)

(**) Term: **15 Years**

(21) Appl. No.: **29/556,235**

(22) Filed: **Feb. 29, 2016**

(30) **Foreign Application Priority Data**

Dec. 14, 2015 (EM) 002908947

(51) **LOC (11) Cl.** **08-06**

(52) **U.S. Cl.**
USPC **D8/107**; D7/401.2

(58) **Field of Classification Search**
USPC D3/207, 208, 210, 318; D4/129, 138;
D7/301, 302, 318, 354-361, 393-397,
D7/401.2, 533-537, 622, 623, 642, 664;
D8/12, 14, 16, 34, 51, 52, 56, 75, 76, 77,
D8/78, 79, 80, 81, 82, 83, 94, 98, 99,
D8/101, 102, 103, 104, 105, 107, 300,
D8/302, 303, 305, 306, 307, 308, 309,
D8/310, 315, 318, 321, 349, 354, 355,
D8/356, 358, 359, 382, 391, 392.1, 393,
D8/394, 396.2, 397, 398, 402, 503, 505,
D8/507, 509, 510, 511, 523, 524, 525,
D8/526, 527, 528, 529, 530, 531, 533,
D8/538, 541, 542, 549, 500, 590, 605,
D8/608, 629, 672, 703, 900; D12/317;
D15/135; D21/568, 756, 757; D22/117,
D22/118; D32/46-49

CPC . E15B 1/00; E15B 1/005; A47J 45/061; A47J
45/62; A47J 45/08; A47J 45/085; A47J
45/071; A47J 45/072; B65D 25/2802;

(Continued)

(56) **References Cited**

U.S. PATENT DOCUMENTS

D337,022 S * 7/1993 Sheets D7/401.2
D355,331 S * 2/1995 Rich D7/401.2

(Continued)

OTHER PUBLICATIONS

Morakniv Mora of Sweden: Announced Aug. 13, 2016 [online].
Site Visited [Feb. 16, 2018]. Available from Internet URL: https://www.knifecenter.com/item/FT01830/morakniv-mora-of-sweden-basic-511-carbon-steel-plain-blade-black-polymer-handle-black-polymer-sheath.*

(Continued)

Primary Examiner — Jennifer Rivard

Assistant Examiner — Catherine S Posthauer

(74) *Attorney, Agent, or Firm* — Dilworth & Barrese,
LLP

(57) **CLAIM**

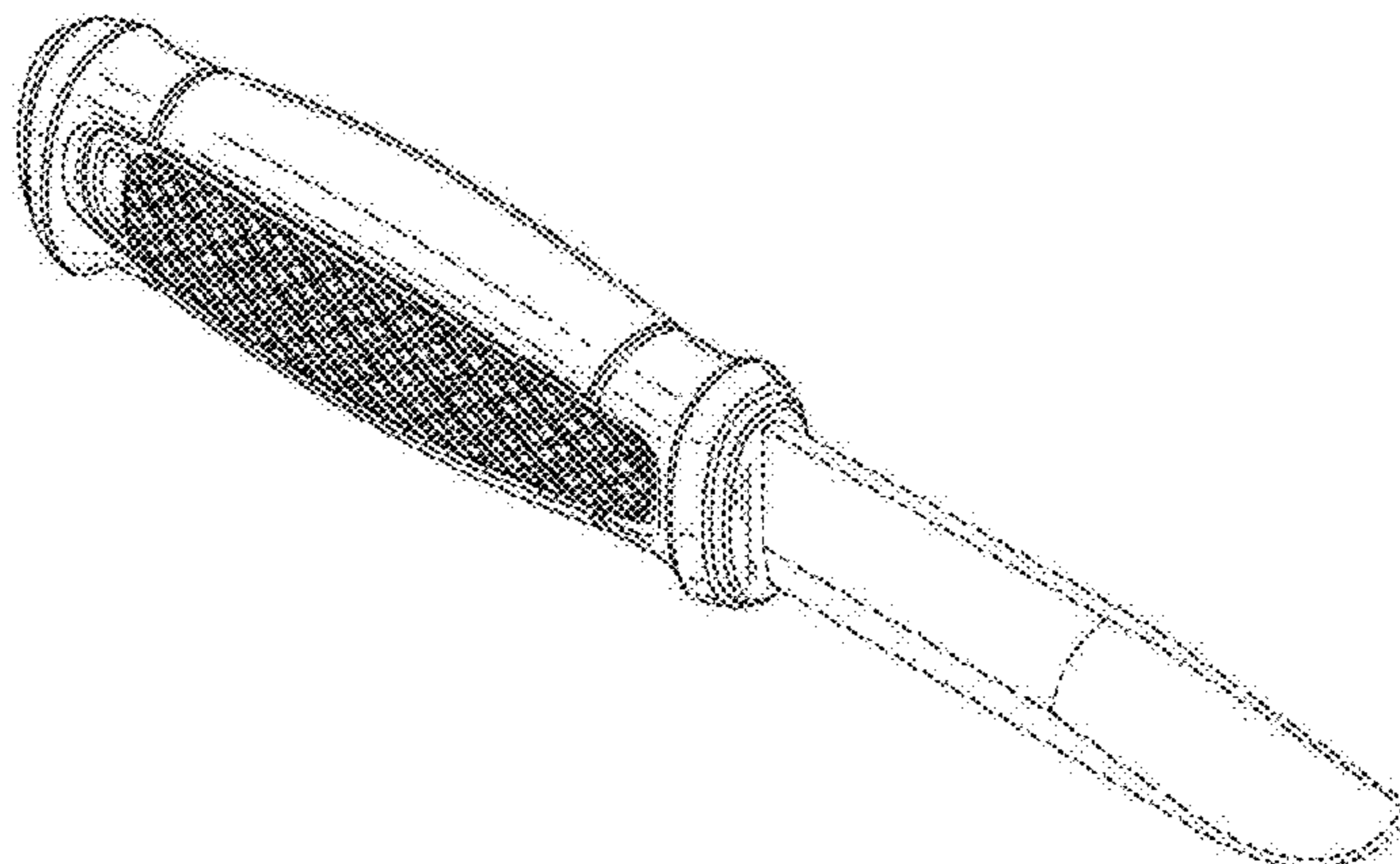
The ornamental design for a knife shaft, as shown and described.

DESCRIPTION

FIG. 1 is a left side perspective view from above of the knife shaft showing our new design;
FIG. 2 is a left side perspective view from below of the knife shaft of FIG. 1;
FIG. 3 is a left side elevational view of the knife shaft of FIGS. 1 and 2;
FIG. 4 is a right side elevational view of the knife shaft of FIGS. 1-3;
FIG. 5 is a bottom plan view of the knife shaft of FIGS. 1-4;
FIG. 6 is a top plan view of the knife shaft of FIGS. 1-5; and,
FIG. 7 is a rear elevational view of the knife shaft of FIGS. 1-6.

The broken lines are shown for the purpose of illustrating parts of the article that form no part of the claim.

1 Claim, 3 Drawing Sheets



(58) **Field of Classification Search**

CPC B65D 25/2882; B65D 25/2885; B65D 25/2888; B65D 25/2894; A61B 17/1657; B65B 69/0008; B65B 69/0033; B65B 69/005; B25F 1/00; B25F 1/02; B25F 1/04; B26B 11/00; B26B 23/00; B08B 1/00; B08B 3/026; B08B 7/02

See application file for complete search history.

(56) **References Cited**

U.S. PATENT DOCUMENTS

D358,529 S * 5/1995 Rich D22/118
 D377,744 S * 2/1997 Hasegawa D8/99
 D387,649 S * 12/1997 Concari D8/10
 D387,966 S * 12/1997 Horn D8/99
 5,841,100 A * 11/1998 Minhas B23K 26/0084
 219/121.69
 D402,178 S * 12/1998 Glesser D8/107
 D403,223 S * 12/1998 Jacoff D8/107
 D444,369 S * 7/2001 Shiao D8/107
 D447,678 S * 9/2001 Staton D8/107
 D494,830 S * 8/2004 Konen D8/107
 D505,791 S * 6/2005 Chang D4/138
 D513,927 S * 1/2006 Chen D7/395
 D517,394 S * 3/2006 Chen D8/107
 D554,428 S * 11/2007 Smith D7/401.2
 D570,664 S * 6/2008 Tang D8/83
 D585,261 S * 1/2009 Shih D8/83
 D592,451 S * 5/2009 Logiudice D7/395
 D617,623 S * 6/2010 Demers D8/80
 D629,578 S * 12/2010 Molina D32/46

D709,982 S * 7/2014 Freeman D22/118
 D709,983 S * 7/2014 Cagampang D22/118
 D730,145 S 5/2015 Eriksson et al.
 D750,948 S * 3/2016 Pelton D8/99
 D761,075 S * 7/2016 Masalin D8/107
 D773,887 S * 12/2016 Berger D7/401.2
 D787,293 S * 5/2017 Prince D8/99
 D792,151 S * 7/2017 Berger D7/401.2
 D792,152 S * 7/2017 Wynne D7/401.2
 D792,153 S * 7/2017 Wynne D7/401.2
 D795,039 S * 8/2017 Squiers D8/99
 D800,530 S * 10/2017 Ástradsson D8/107
 D806,498 S * 1/2018 Bloch D8/99
 2001/0042309 A1 * 11/2001 Sanelli A47G 21/02
 30/147
 2002/0066189 A1 * 6/2002 Parrish B25G 3/18
 30/340
 2002/0078531 A1 * 6/2002 Chen B25G 1/102
 16/421
 2014/0366331 A1 * 12/2014 Billado, Jr. B25G 1/102
 16/430
 2017/0246750 A1 * 8/2017 Karchon B26B 11/00

OTHER PUBLICATIONS

Mora Garberg Knife: Announced Jan. 21, 2016 [online]. Site Visited [Feb. 16, 2018]. Available from Internet URL: https://www.youtube.com/watch?v=1M1_6d-pqGw.*

Mora Garberg Black Carbon: Site Visited [Feb. 16, 2018]. Available from Internet URL: <https://morakniv.se/en/product/garberg-black-carbon/>.*

* cited by examiner

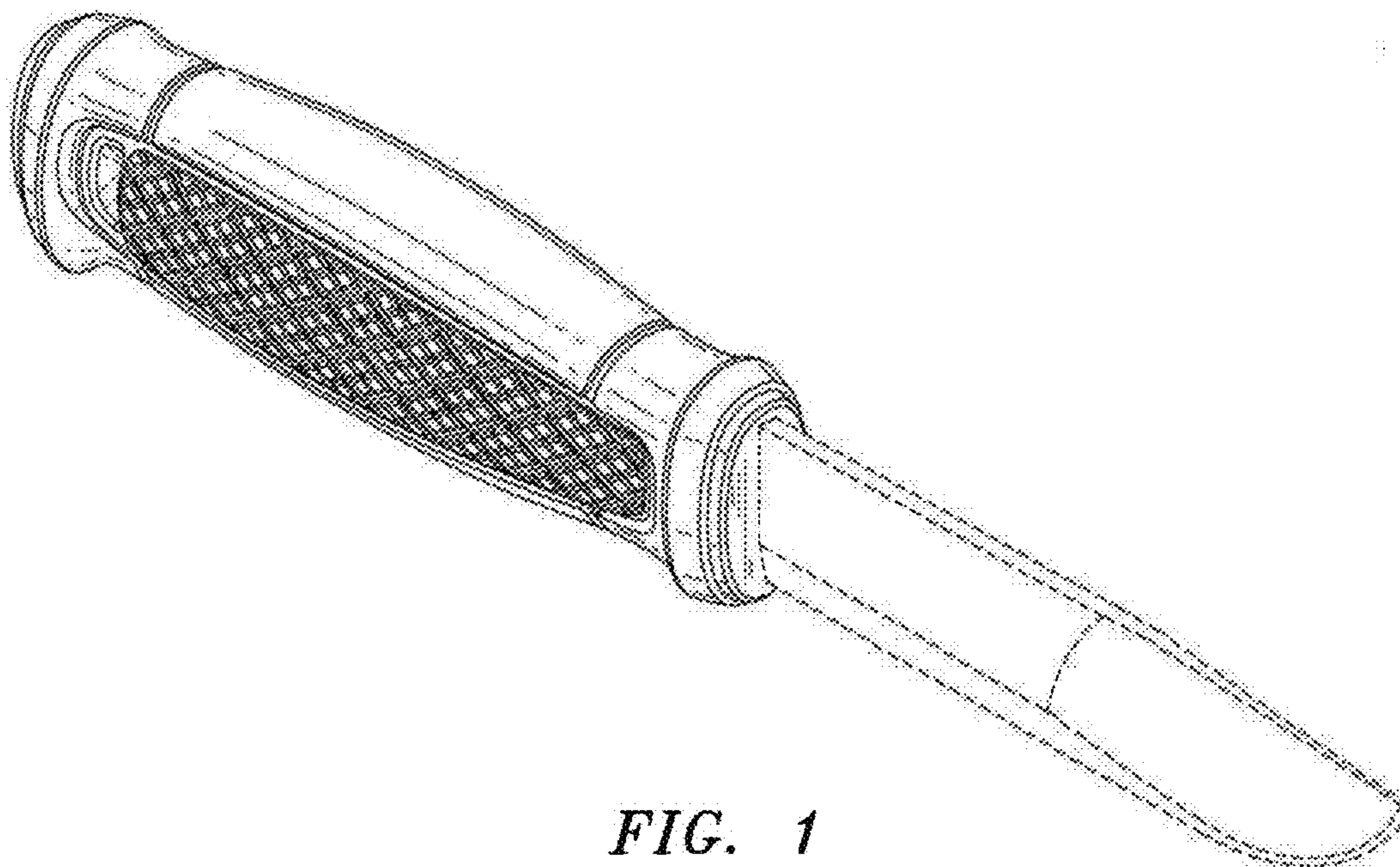


FIG. 1

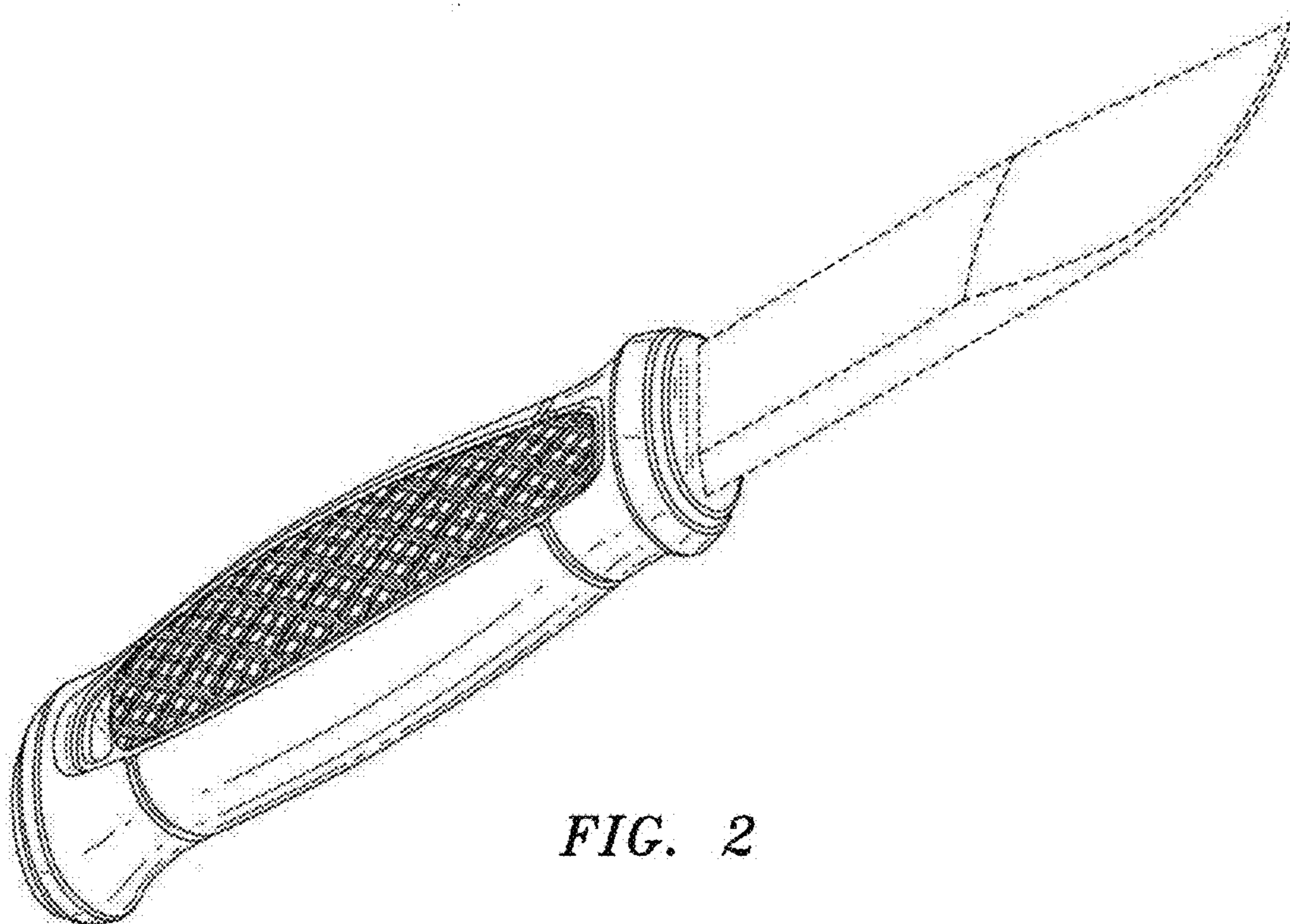


FIG. 2

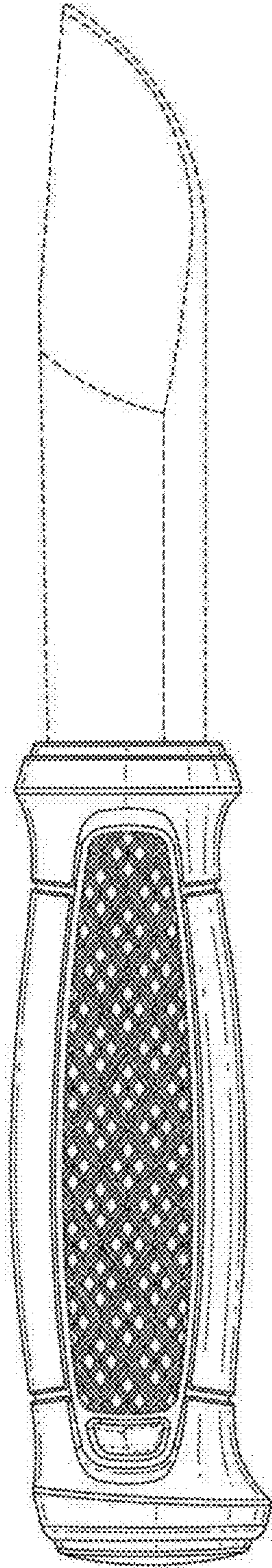


FIG. 3

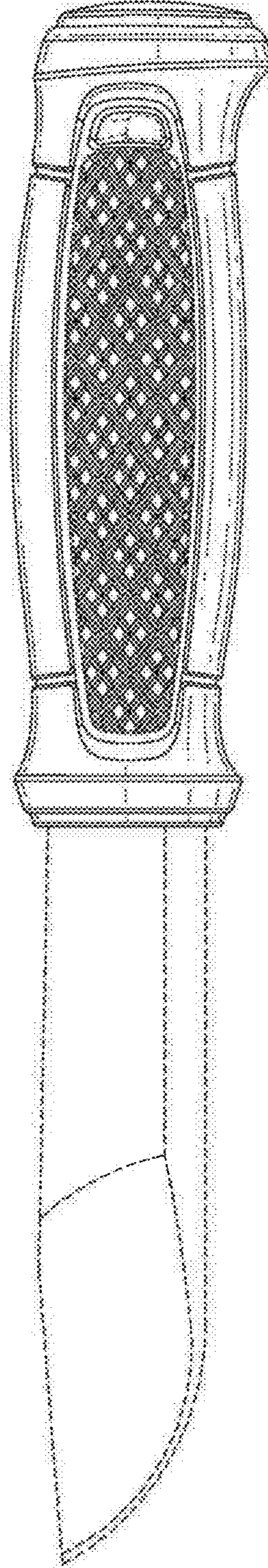


FIG. 4

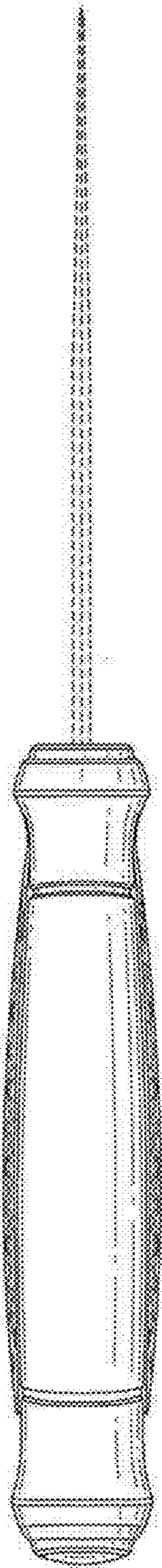


FIG. 5

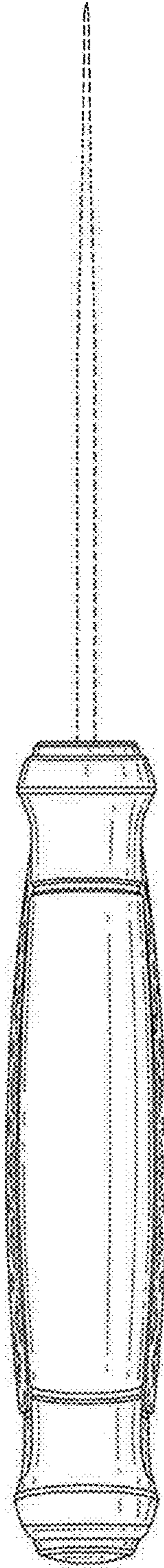


FIG. 6

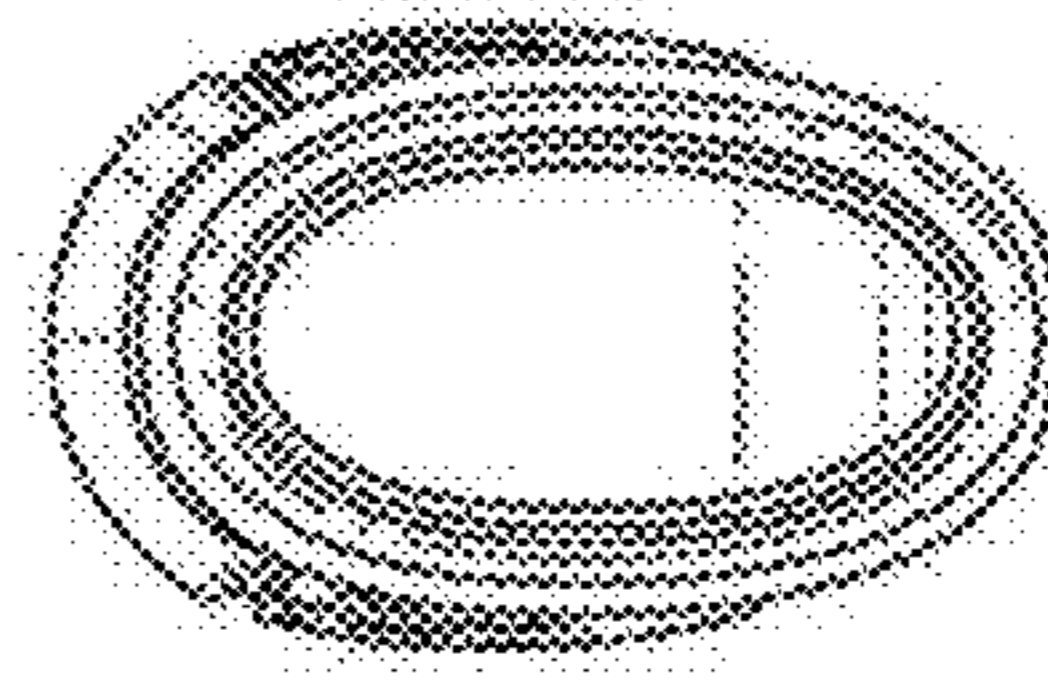


FIG. 7