



US00D848236S

(12) **United States Design Patent** (10) **Patent No.:** **US D848,236 S**
Lane (45) **Date of Patent:** **** May 14, 2019**

(54) **MULTIPURPOSE HAND TOOL**
(71) Applicant: **Create A Castle, LLC**, New Milford, CT (US)
(72) Inventor: **Kevin Lane**, New Milford, CT (US)
(73) Assignee: **Creata A Castle, LLC**, New Milford, CT (US)

4,847,741 A 7/1989 Boettinger
D337,492 S * 7/1993 Ryan D8/105
D343,555 S * 1/1994 Bonner, III D8/11
5,447,289 A * 9/1995 Callahan B25C 11/00
254/131
D363,150 S * 10/1995 Boyer D32/35
5,459,897 A * 10/1995 Wurdack A47G 27/0487
254/131

(Continued)

(**) Term: **15 Years**
(21) Appl. No.: **29/630,894**

FOREIGN PATENT DOCUMENTS

JP 2013108336 6/2013

(22) Filed: **Dec. 22, 2017**
(51) **LOC (11) Cl.** **08-05**
(52) **U.S. Cl.**
USPC **D8/105**; D32/49
(58) **Field of Classification Search**
USPC D8/105-107, 11, 26, 52, 54, 55, 75, 76,
D8/88, 89, 95, 99, 17, 21, 25, 29, 82, 86,
D8/87, 102-104, 61, 81; D20/11, 22, 40,
D20/23, 32; D22/118; D15/133;
D32/46-49; D9/632; D3/211
CPC B25F 1/04; B25F 1/00; B25F 1/006; B25F
1/02; B25B 7/22; B25B 13/00; B25B
9/00; B25B 27/00; B25B 13/46; B25B
23/16; B25B 23/0033; B26D 1/00; B25G
1/08; B25C 11/00; A46B 15/00; A47L
13/02; A47L 13/08; A62B 3/003; B26B
23/00

OTHER PUBLICATIONS

Create a Sand Castle Multi Tool Forward Steps Tutorial—cutting your steps, Create a Castle, published on Oct. 15, 2017 on youtube.com, retrieved on Oct. 1, 2018, retrieved from the Internet URL: <https://www.youtube.com/watch?v=x9JmIaRZAQ>.*

(Continued)

Primary Examiner — Jennifer Rivard
Assistant Examiner — Alison M Ofstun
(74) *Attorney, Agent, or Firm* — Michael D. Downs;
Fincham Downs LLC

See application file for complete search history.

(57) **CLAIM**

The ornamental design for a multipurpose hand tool, as shown and described.

DESCRIPTION

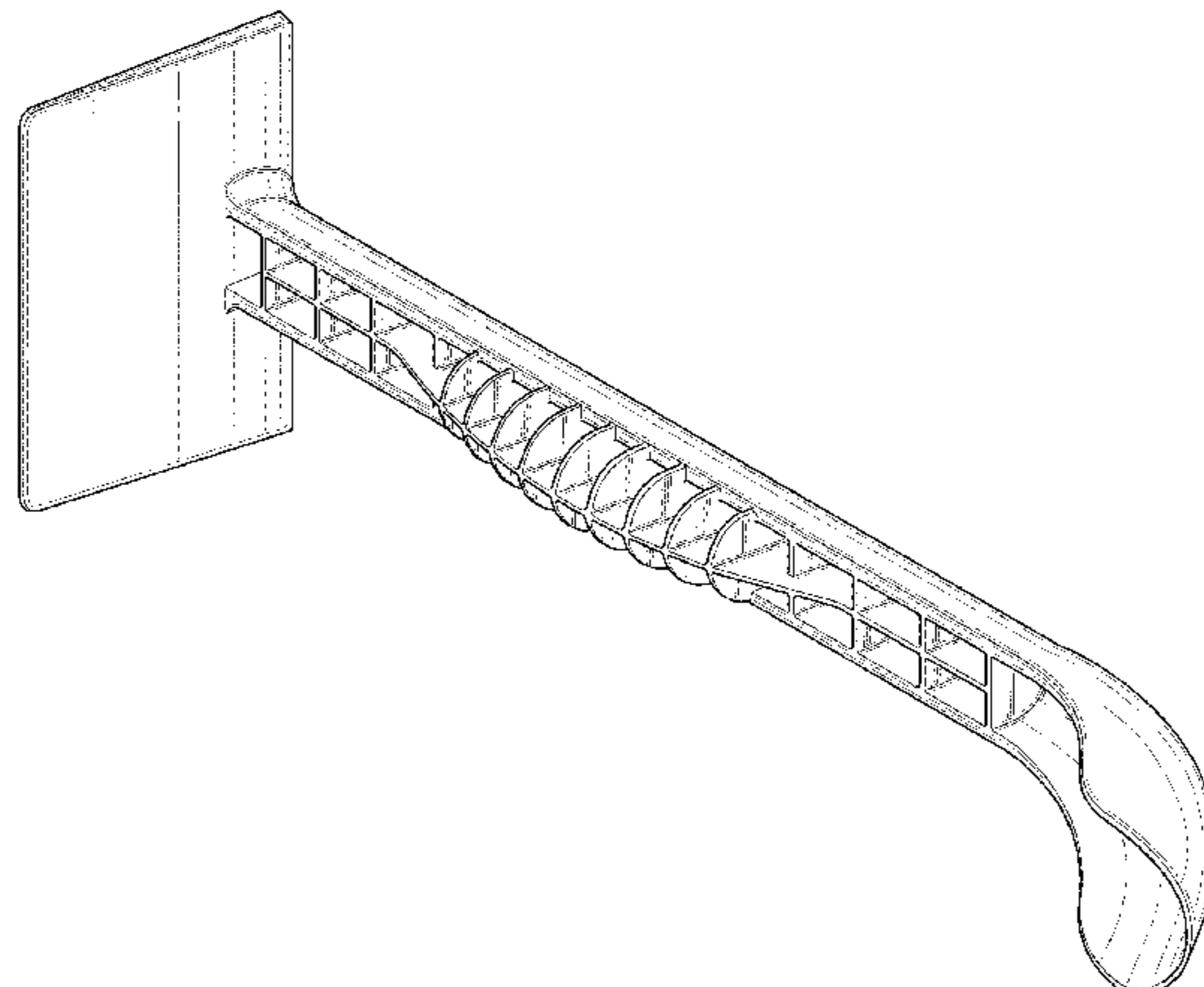
(56) **References Cited**

U.S. PATENT DOCUMENTS

1,434,744 A * 11/1922 Hibbler A47L 13/08
15/236.05
2,794,689 A * 6/1957 Rubrum A01B 1/227
172/375
3,143,984 A * 8/1964 Morasch A01B 1/08
111/7.1
4,745,651 A * 5/1988 Schellenger B66F 15/00
254/131.5

FIG. 1 is a perspective view of a multipurpose hand tool showing my new design;
FIG. 2 is a top plan view thereof;
FIG. 3 is a bottom plan view thereof;
FIG. 4 is a right-side elevational view thereof;
FIG. 5 is a left-side elevational view thereof;
FIG. 6 is a front elevational view thereof; and,
FIG. 7 is a back elevational view thereof.

1 Claim, 6 Drawing Sheets



(56)

References Cited

U.S. PATENT DOCUMENTS

5,477,929 A * 12/1995 Kenyon A01B 1/22
172/371
6,044,914 A * 4/2000 Johnson A01B 1/00
172/377
6,098,292 A * 8/2000 Harpell A47L 13/022
294/49
6,126,876 A 10/2000 Demarzo
6,415,926 B1 7/2002 Long
D469,230 S * 1/2003 Libman D32/41
6,644,702 B2 * 11/2003 Liou B25G 3/26
16/422
D595,555 S * 7/2009 Vanderbeek D8/81
8,177,191 B2 * 5/2012 Liou B25F 1/00
254/115
D675,800 S * 2/2013 Cappolina D32/49
9,162,351 B2 * 10/2015 Liou B25F 1/00
D791,423 S * 7/2017 Gringer D32/46
D799,287 S * 10/2017 Guthrie D8/11
2005/0249835 A1 11/2005 Racunas

2006/0096765 A1* 5/2006 Trozelle A01B 1/08
172/371
2008/0072510 A1 3/2008 Wells et al.
2014/0182226 A1 7/2014 Habodasz

OTHER PUBLICATIONS

Build the Best Sand Castle on the Beach: Announced Jul. 16, 2008 [online]. Site Visited Oct. 10, 2018. Available from Internet URL: <https://www.redbookmag.com/life/mom-kids/g119/sand-castle-building-tips/?slide=2>.
Screenshots of webpages at Can You Dig it Sand Tools (sandtools.com), downloaded Apr. 17, 2018, 5 pages.
Screenshots of webpage and product images at <https://uedata.amazon.com/PSE-Create-A-Castle-Beach-Builder-Set/dp/B00R4UVCWO>, downloaded Apr. 17, 2018, 9 pages.
Written Opinion for PCT/US18/14293 dated May 3, 2018; 10 pps.
International Search Report for PCT/US18/14293 dated May 3, 2018; 4 pps.

* cited by examiner

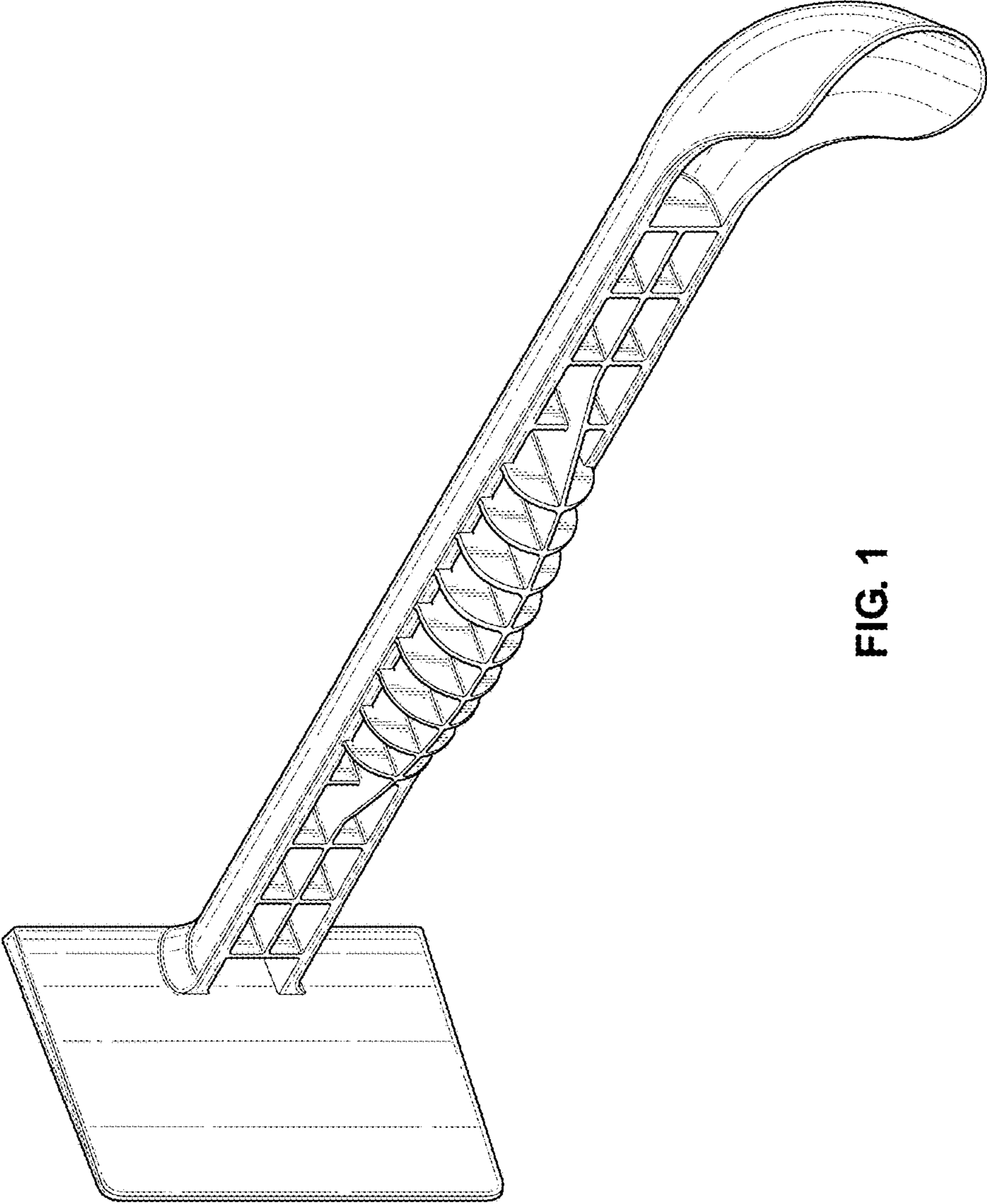


FIG. 1

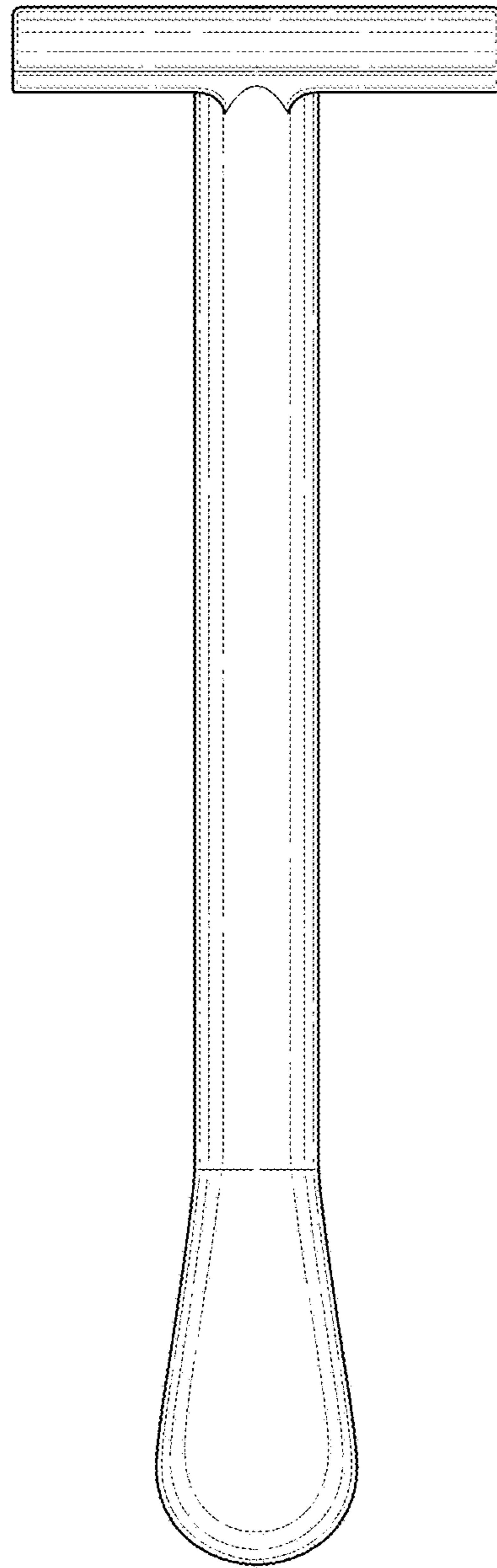


FIG. 2

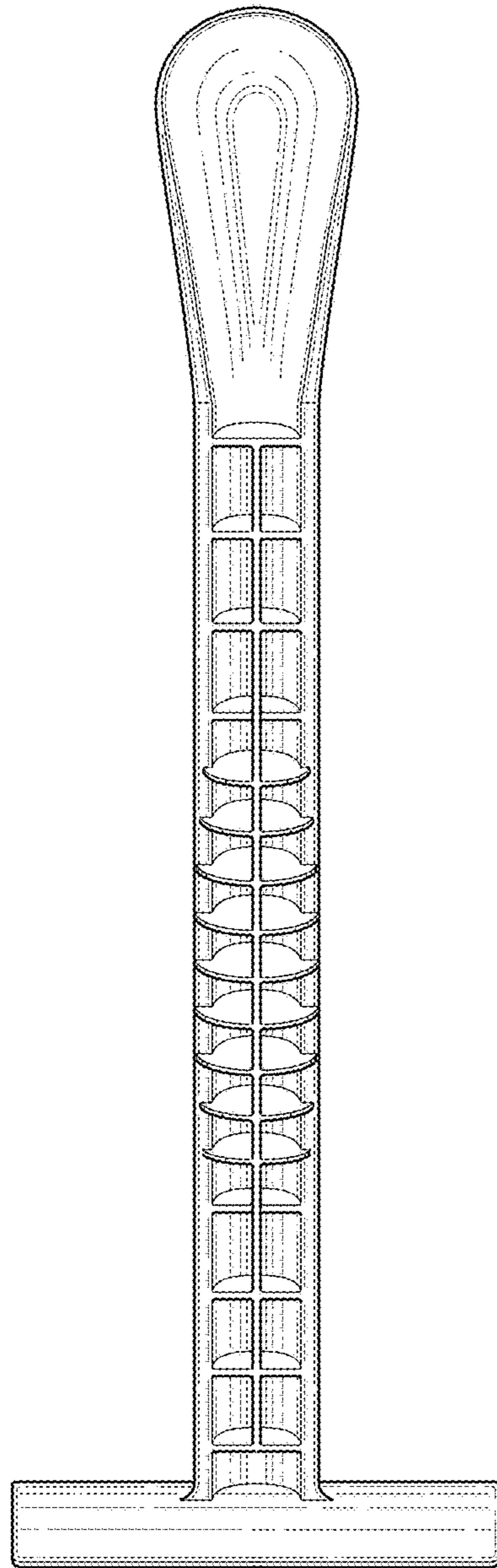


FIG. 3

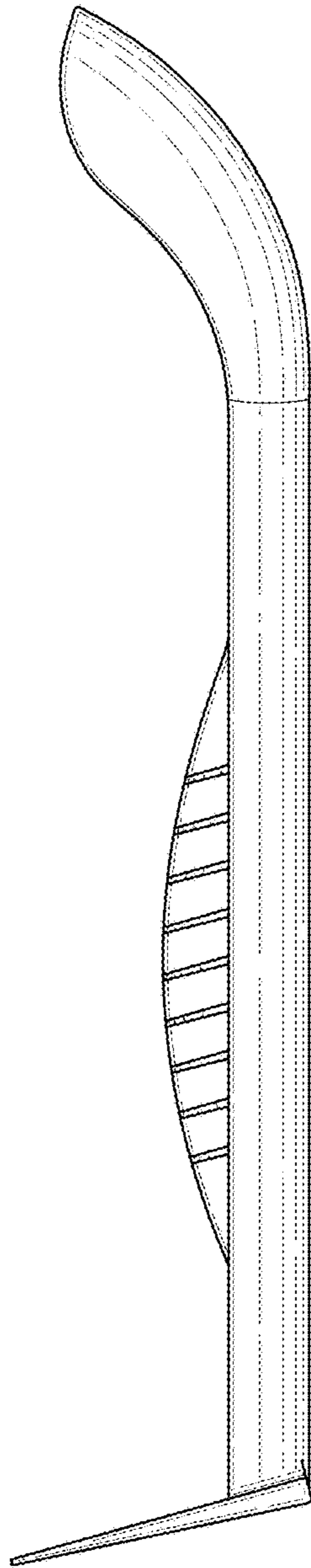


FIG. 4

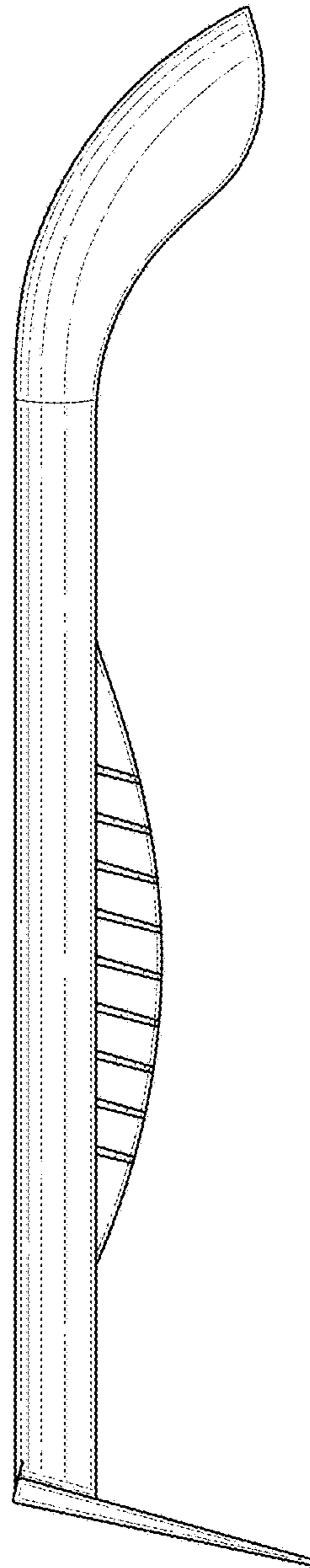


FIG. 5

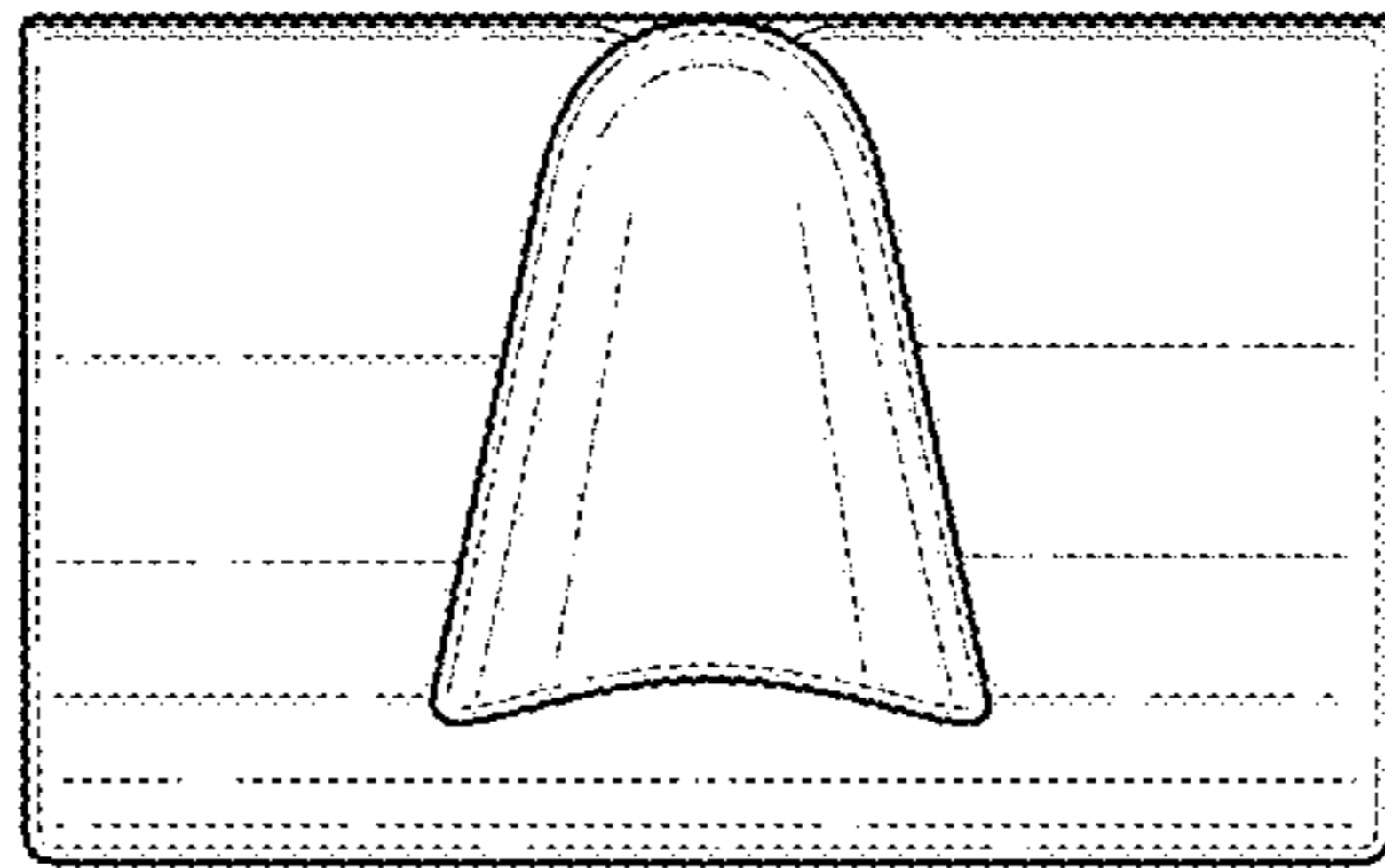


FIG. 7

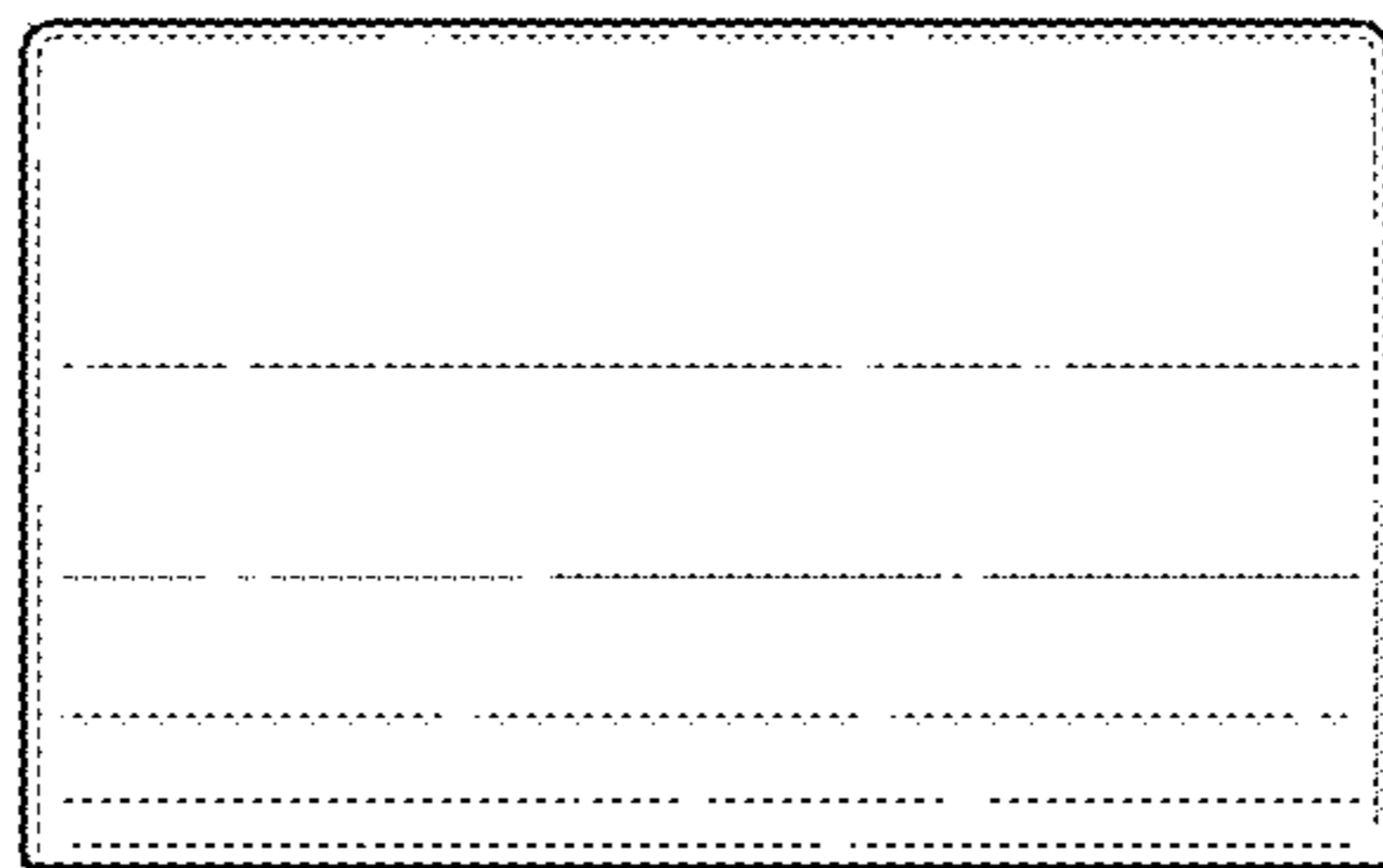


FIG. 6