

US00D848235S

(12) **United States Design Patent** (10) **Patent No.:** **US D848,235 S**
Dechant et al. (45) **Date of Patent:** **** May 14, 2019**

- (54) **PAINTER'S UTILITY KNIFE**
- (71) Applicant: **Fiskars Finland Oy Ab**, Helsinki (FI)
- (72) Inventors: **Stephen P. Dechant**, Waunakee, WI (US); **Colin Roberts**, Waunakee, WI (US); **Steve Stokes**, Fitchburg, WI (US); **Aaron Honadel**, Verona, WI (US)
- (73) Assignee: **Fiskars Finland Oy Ab**, Helsinki (FI)
- (**) Term: **15 Years**
- (21) Appl. No.: **29/604,277**
- (22) Filed: **May 16, 2017**
- (51) **LOC (11) Cl.** **08-03**
- (52) **U.S. Cl.**
USPC **D8/99**
- (58) **Field of Classification Search**
USPC D8/98, 99, 100, 105, 107; D22/118
CPC .. B26B 1/08; B26B 5/00; B26B 5/001; B26B 5/002; B26B 5/003; B26B 5/006; B26B 1/00; B26B 1/04; B26B 1/10; B26B 11/00
See application file for complete search history.

5,661,908 A	9/1997	Chen	
D412,655 S	8/1999	Gilbert et al.	
D414,670 S	10/1999	Linden	
D420,270 S	2/2000	Martone	
6,158,616 A	12/2000	Huang	
D439,492 S	3/2001	Martone et al.	
D445,662 S *	7/2001	Huang	D8/98
D458,106 S	6/2002	Chong	
D462,861 S	9/2002	Schmidt	
6,449,850 B1	9/2002	Gilbert	
6,467,173 B1	10/2002	Umstead et al.	
6,598,761 B1	7/2003	Chou	
6,789,326 B1	9/2004	Huang	
D510,010 S	9/2005	Brown et al.	
D511,447 S	11/2005	Brown et al.	
D525,104 S	7/2006	Samberg	
7,093,367 B1	8/2006	Huang	
D527,602 S	9/2006	Axon et al.	
D536,624 S	2/2007	Novak et al.	
D551,933 S	10/2007	Guo	

(Continued)

Primary Examiner — Philip S Hyder
(74) *Attorney, Agent, or Firm* — Foley & Lardner LLP

(57) **CLAIM**
We claim the ornamental design for a painter's utility knife, as shown and described.

DESCRIPTION

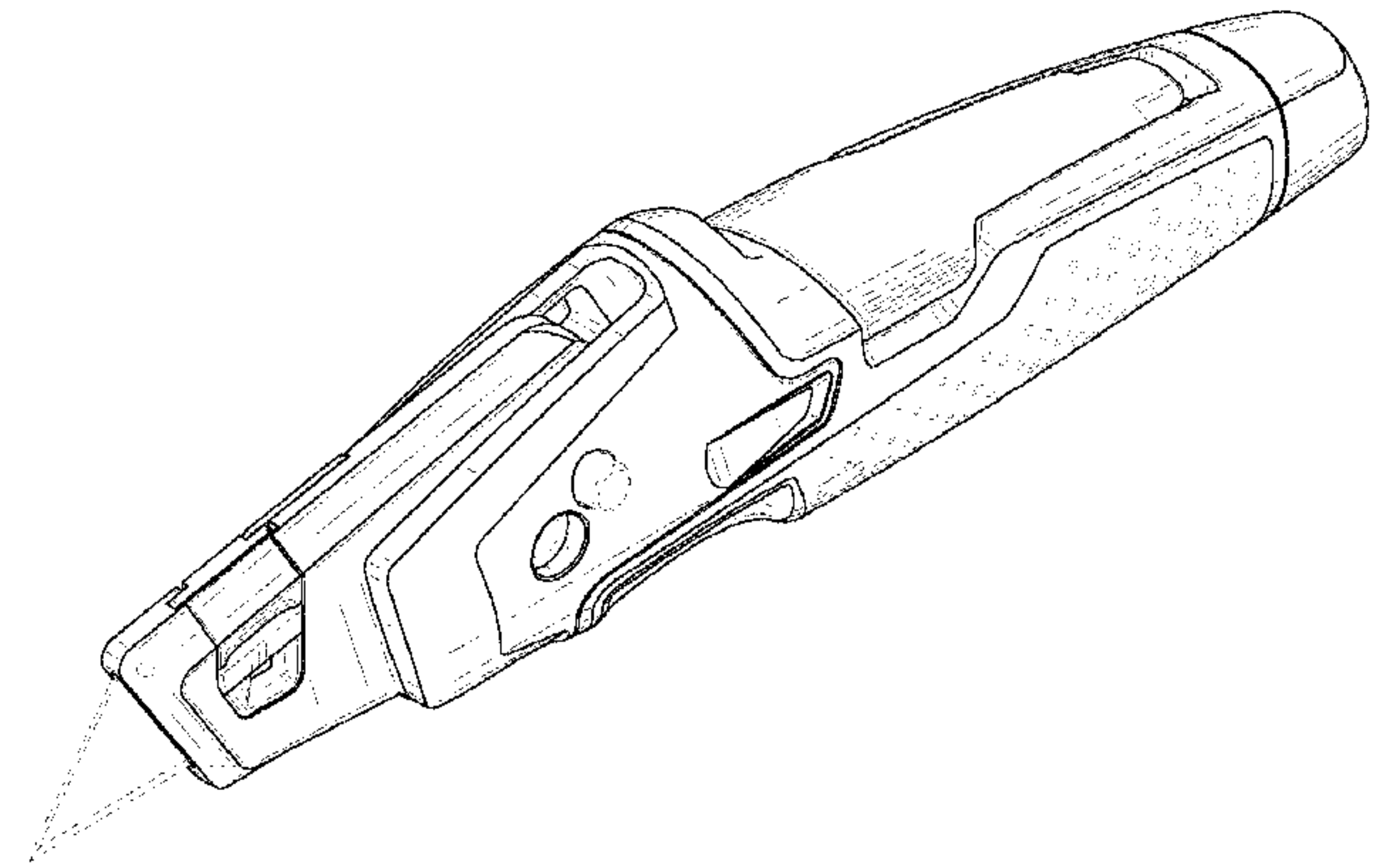
FIG. 1 is a top perspective view of an embodiment of the claimed design;
FIG. 2 is a front view thereof;
FIG. 3 is a rear view thereof;
FIG. 4 is a left side view thereof;
FIG. 5 is a right side view thereof;
FIG. 6 is a top view thereof;
FIG. 7 is a bottom view thereof; and,
FIG. 8 is a bottom perspective view thereof.
The broken lines depict portions of the painter's utility knife in which the design is embodied that are not considered part of the claimed design.

1 Claim, 5 Drawing Sheets

(56) **References Cited**

U.S. PATENT DOCUMENTS

3,650,433 A	3/1972	Robertson	
D224,290 S	7/1972	Robertson	
4,379,514 A	4/1983	Joffe	
4,660,284 A	4/1987	Decarolis	
4,789,080 A	12/1988	Iten	
D299,413 S	1/1989	DeCarolis	
4,850,512 A	7/1989	Vujovich	
4,936,014 A *	6/1990	Shaanan	B26B 5/001 30/162
5,251,783 A	10/1993	Gringer	
5,584,123 A	12/1996	Chi	



(56)

References Cited

U.S. PATENT DOCUMENTS

D553,936 S	10/2007	Takamasa	D720,628 S	1/2015	Erdmann
D554,774 S	11/2007	Antonic	D731,280 S	6/2015	Dahlberg et al.
D558,555 S	1/2008	Huang	D731,281 S	6/2015	Dahlberg et al.
D560,462 S	1/2008	Takamasa	D731,282 S	6/2015	Dahlberg et al.
D560,999 S	2/2008	Ping	D731,283 S	6/2015	Dahlberg et al.
D564,328 S	3/2008	Smith	D731,870 S *	6/2015	Dahlberg D8/99
D565,919 S	4/2008	Kondo et al.	D735,552 S	8/2015	Hung
D572,107 S	7/2008	Maraia et al.	D738,182 S *	9/2015	Parker D8/99
7,516,550 B2	4/2009	Hagan et al.	9,162,811 B2	10/2015	Schneider et al.
D596,915 S	7/2009	Garcia et al.	D751,883 S	3/2016	Huang et al.
D602,326 S *	10/2009	Garcia D8/99	D756,191 S	5/2016	Horovitz et al.
D603,680 S	11/2009	Wu	D767,915 S	10/2016	Held
7,797,835 B2 *	9/2010	Zeng B26B 5/001 30/153	D793,198 S	8/2017	Wang
D624,833 S	10/2010	Van Deursen	2003/0085236 A1	5/2003	Schmidt
D686,481 S *	7/2013	Robinson D8/99	2004/0099682 A1	5/2004	Huang
8,539,680 B2 *	9/2013	Strauss B26B 5/00 30/162	2004/0178214 A1	9/2004	Wei
D705,033 S *	5/2014	Dahlberg D8/98	2006/0272157 A1 *	12/2006	Zeng B26B 1/048 30/161
			2016/0304269 A1	10/2016	Erdmann et al.
			2017/0021511 A1	1/2017	Chiu
			2017/0174412 A1	6/2017	Wonderley et al.
			2018/0021964 A1	1/2018	Rohrbach

* cited by examiner

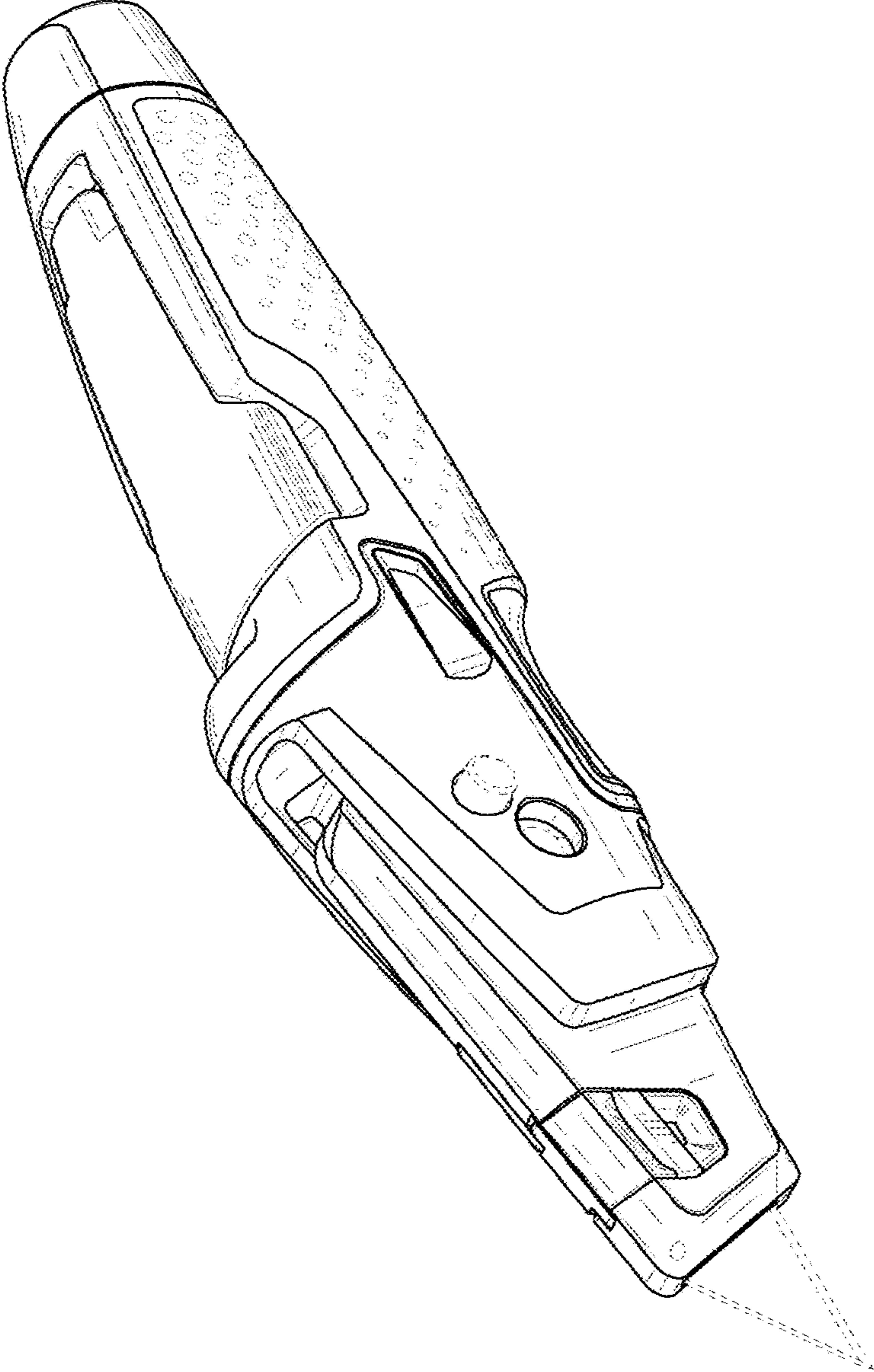


FIG. 1

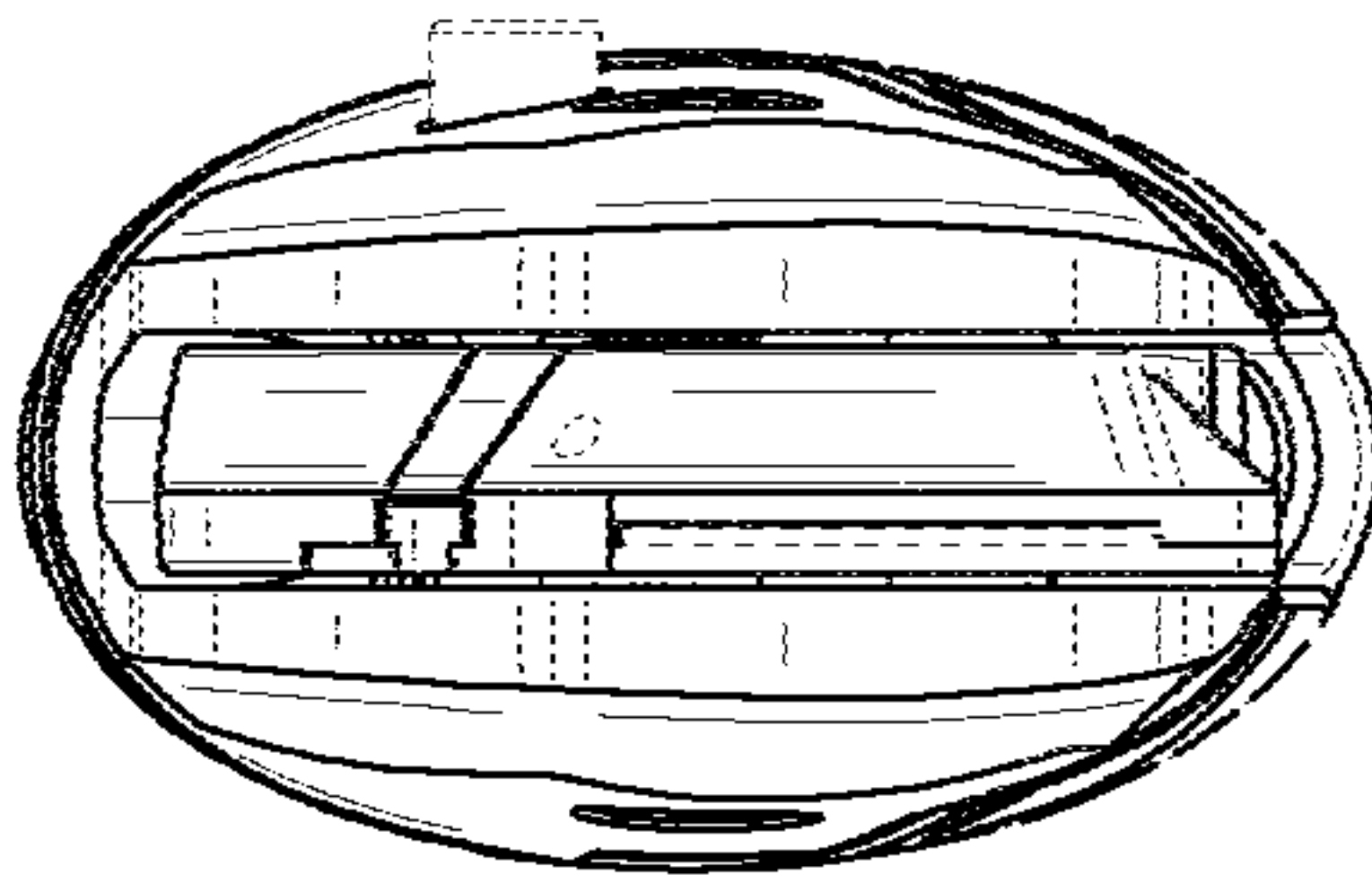


FIG. 2

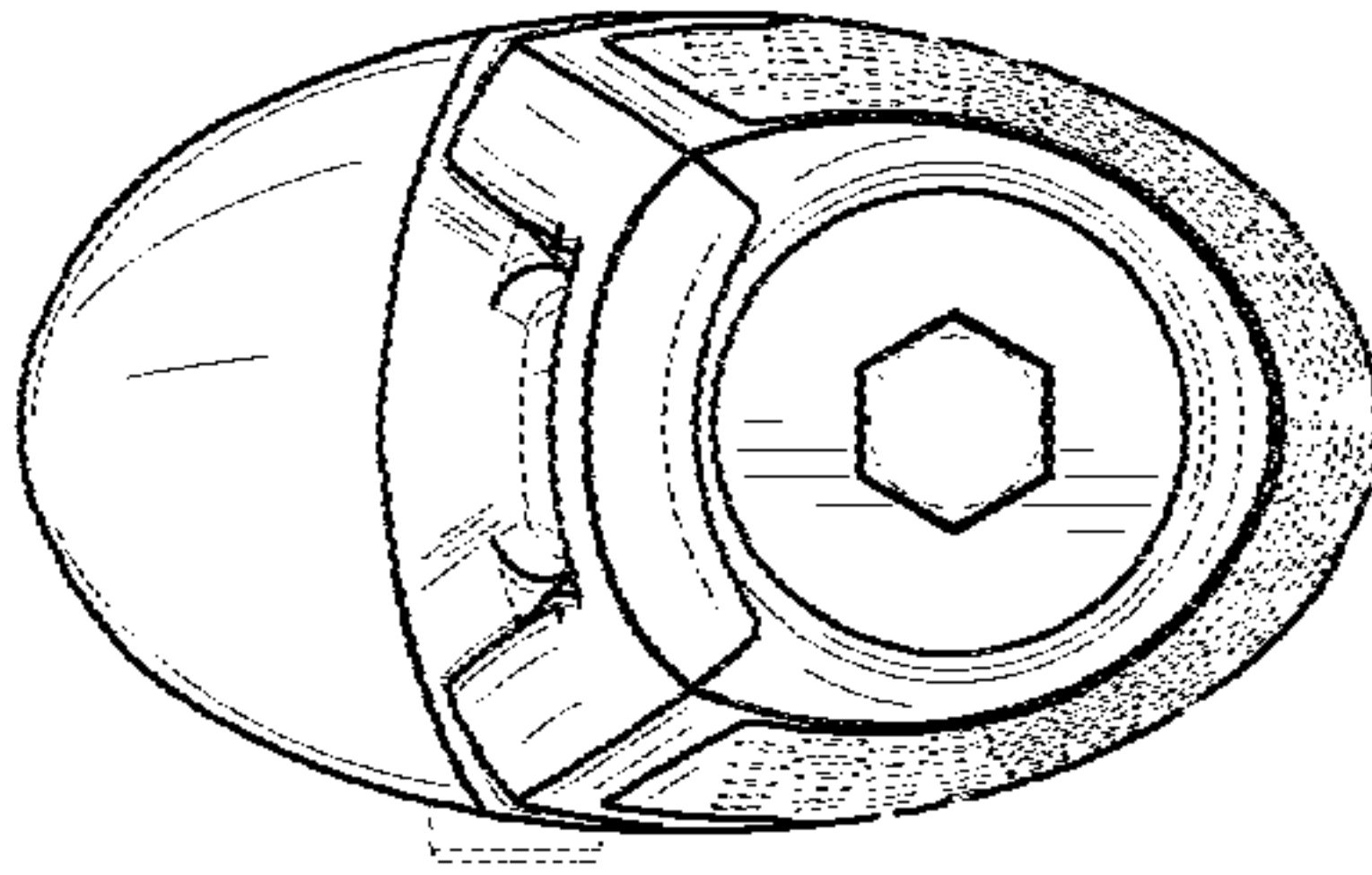


FIG. 3

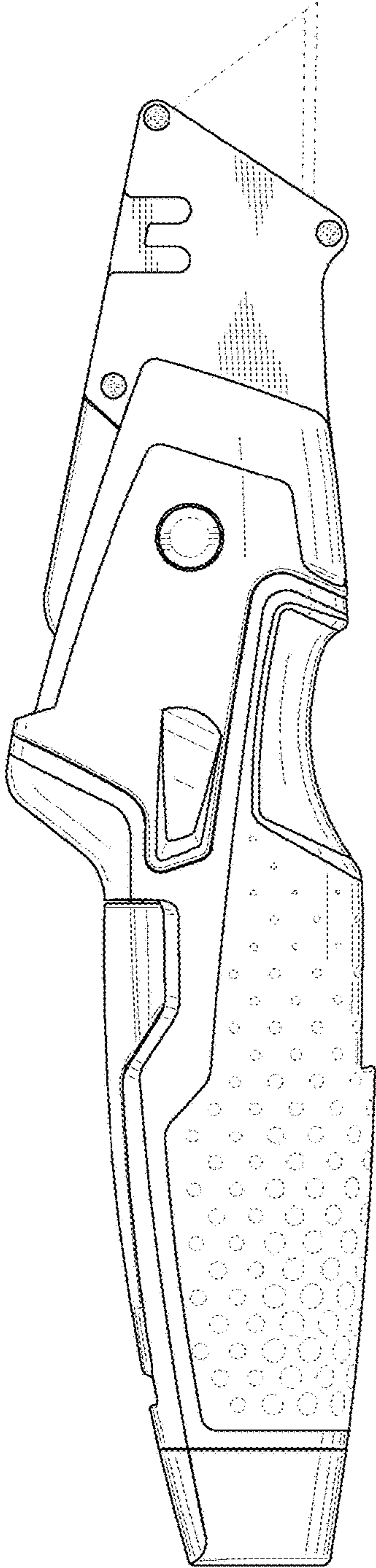


FIG. 4

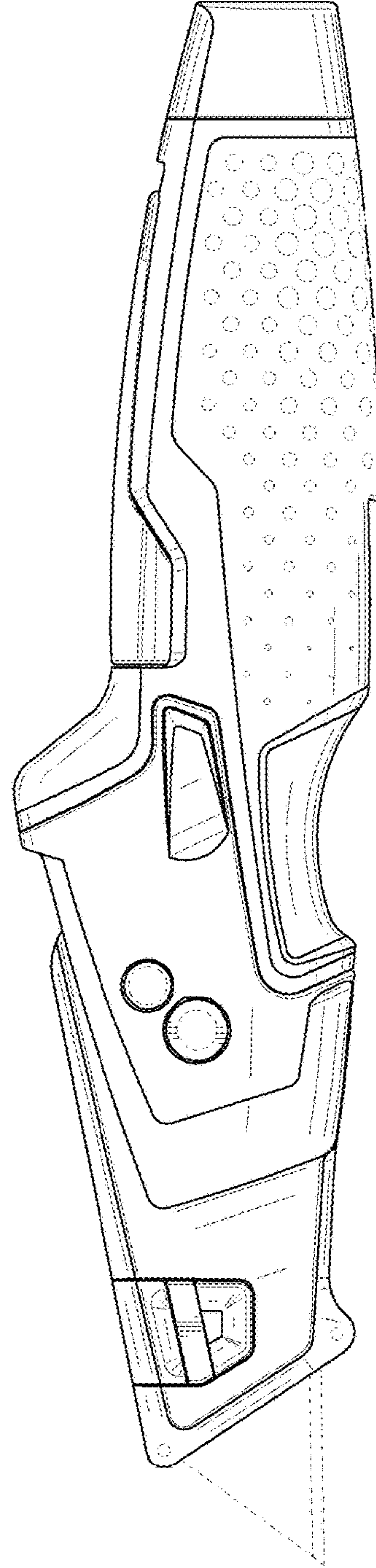


FIG. 5

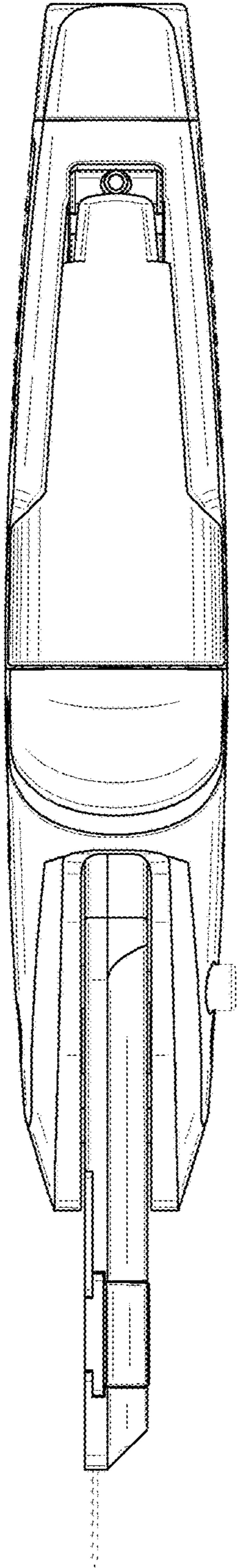


FIG. 6

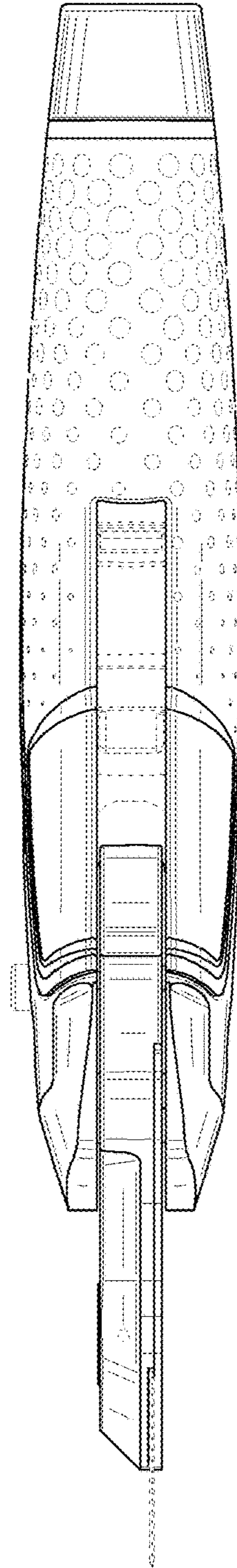


FIG. 7

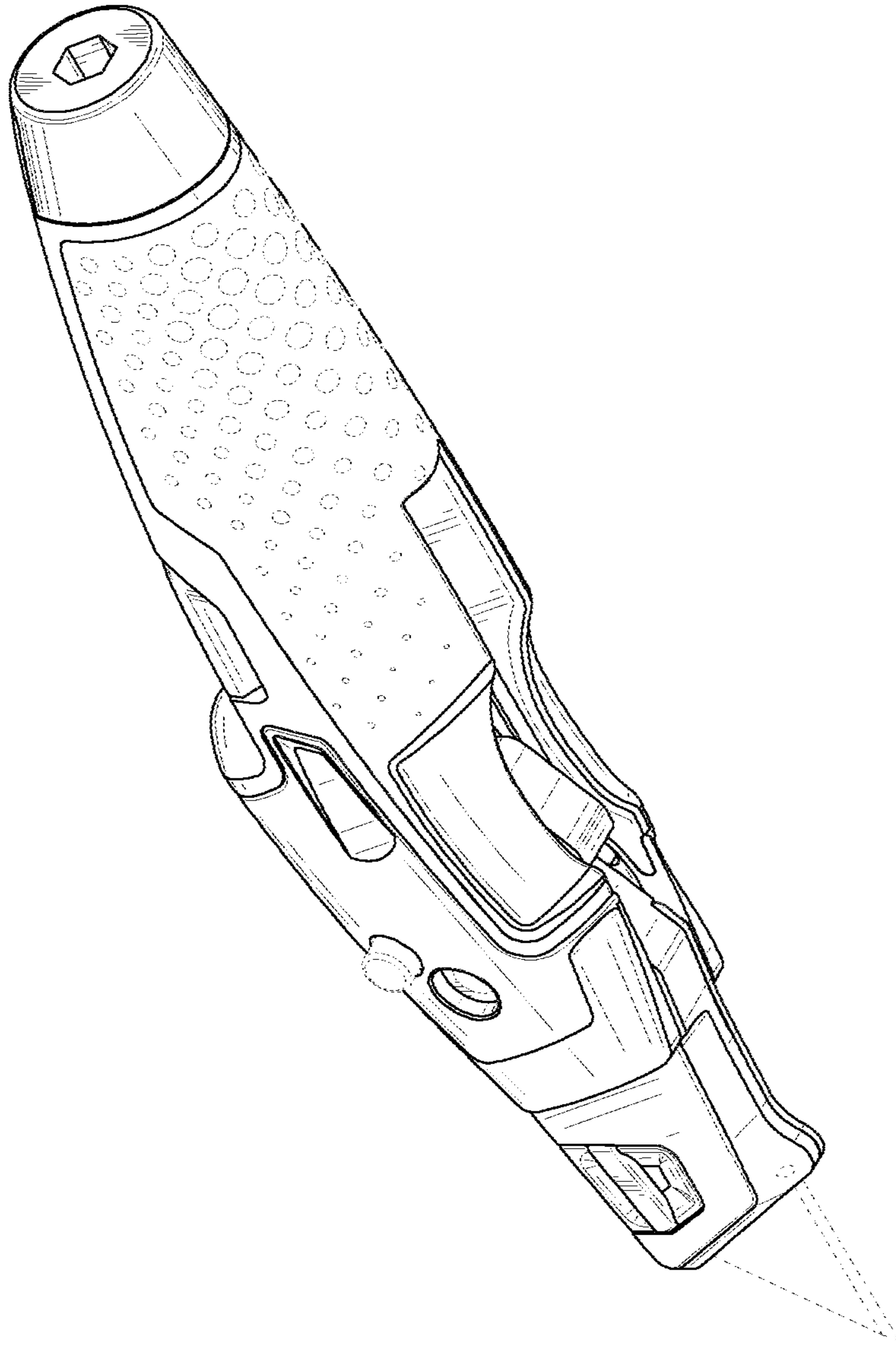


FIG. 8