



US00D848231S

(12) **United States Design Patent**
Almajid

(10) **Patent No.:** **US D848,231 S**

(45) **Date of Patent:** **** May 14, 2019**

(54) **COMPONENT DISCHARGE DEVICE**

(71) Applicant: **Sulzer Mixpac AG**, Haag (CH)

(72) Inventor: **Juan Almajid**, Valby (DK)

(73) Assignee: **SULZER MIXPAC AG**, Haag (CH)

(**) Term: **14 Years**

(21) Appl. No.: **29/495,441**

(22) Filed: **Jul. 1, 2014**

(30) **Foreign Application Priority Data**

Jan. 7, 2014 (EP) EM 002381236

(51) **LOC (11) Cl.** **08-05**

(52) **U.S. Cl.**
USPC **D8/14.1**

(58) **Field of Classification Search**
USPC D8/14, 14.1
CPC B05C 17/0103; B05C 17/00553; B05C
17/00576
See application file for complete search history.

(56) **References Cited**

U.S. PATENT DOCUMENTS

4,615,469	A *	10/1986	Kishi et al.	222/327
D545,152	S *	6/2007	Lopano et al.	D8/14.1
D567,038	S *	4/2008	Carallo	D7/700
D573,425	S *	7/2008	Post et al.	D8/14.1

D635,835	S *	4/2011	Post	D8/14.1
D636,091	S *	4/2011	Brummitt	D24/221
D687,273	S *	8/2013	Breitenmoser et al.	D8/14.1
8,573,450	B2 *	11/2013	Hsu et al.	222/333
8,875,948	B2 *	11/2014	Naughton	222/137
D719,424	S *	12/2014	Okuda et al.	D8/14.1
D725,978	S *	4/2015	Uematsu et al.	D8/14.1
D729,400	S *	5/2015	Hayman et al.	D24/221
2008/0197154	A1 *	8/2008	Herman et al.	222/326

* cited by examiner

Primary Examiner — Philip S Hyder

(74) *Attorney, Agent, or Firm* — Global IP Counselors, LLP

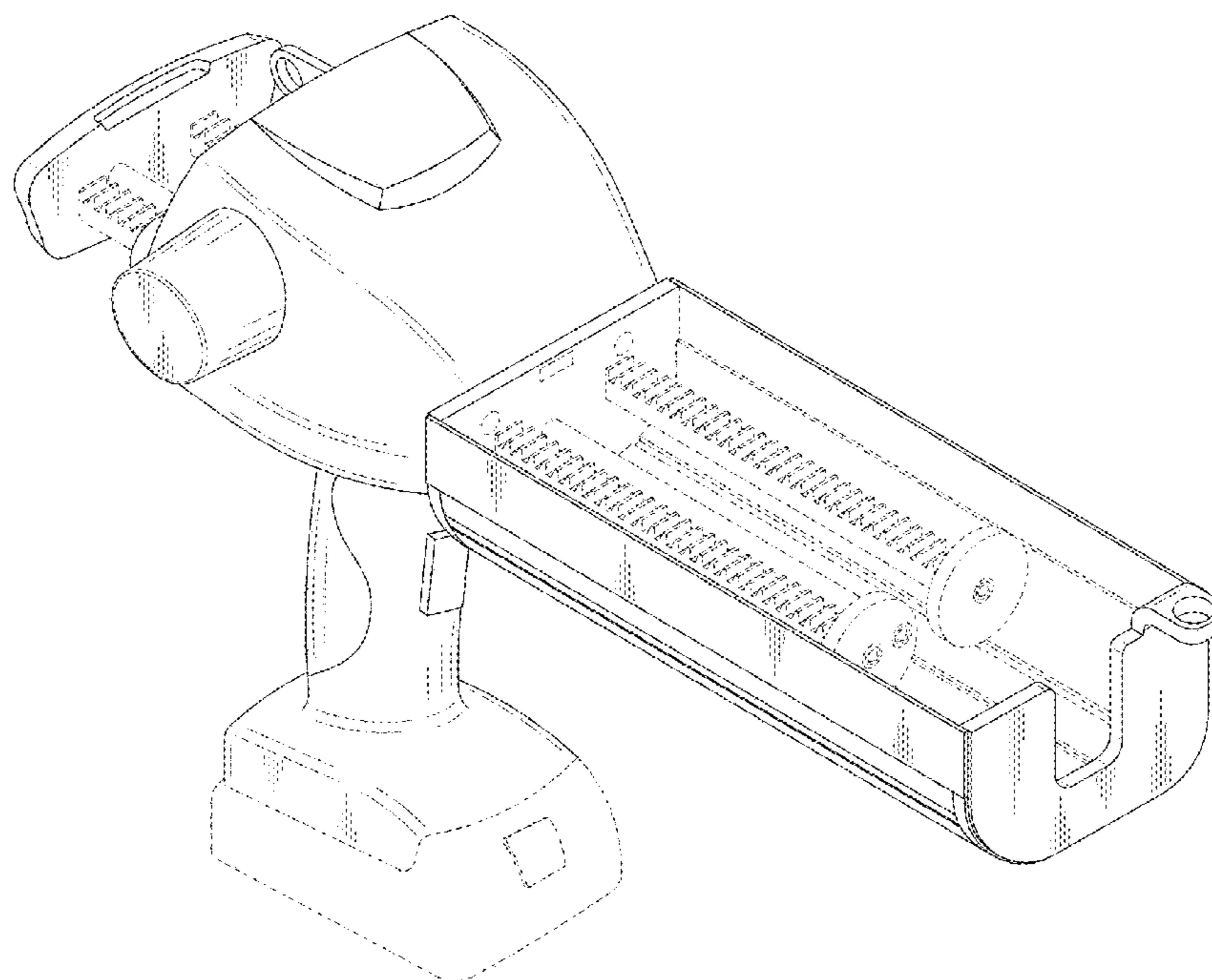
(57) **CLAIM**

The ornamental design for a component discharge device, as shown and described.

DESCRIPTION

FIG. 1 is a perspective view of a component discharge device embodying our new design; FIG. 2 is a rear elevation view thereof; FIG. 3 is a front elevation view thereof; FIG. 4 is a top plan view thereof; FIG. 5 is a bottom plan view thereof; FIG. 6 is a left side elevation view thereof; and, FIG. 7 is a right side elevation view thereof. The broken lines shown in the drawings depict portions of the component discharge device that form no part of the claimed design.

1 Claim, 7 Drawing Sheets



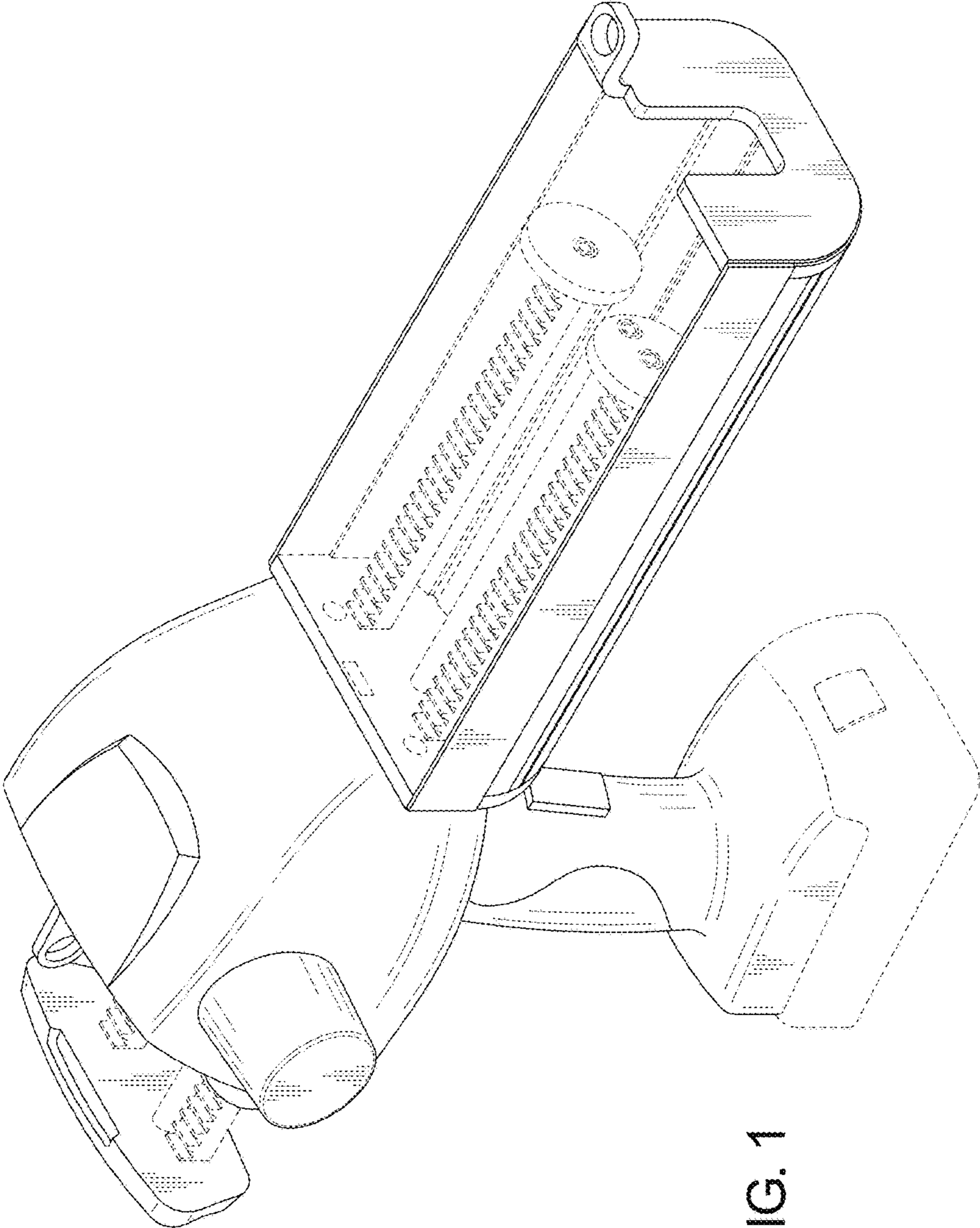


FIG. 1

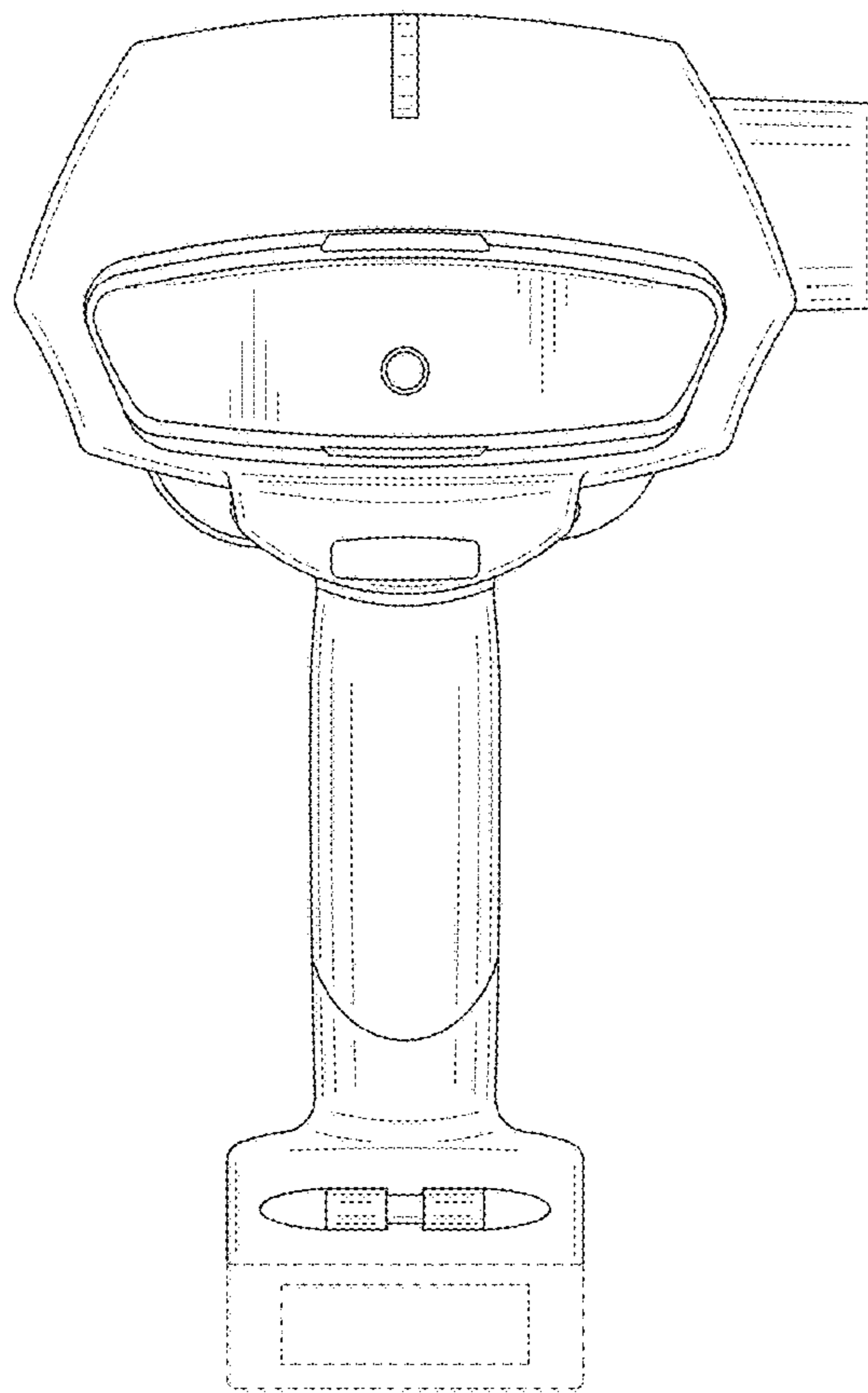


FIG. 2

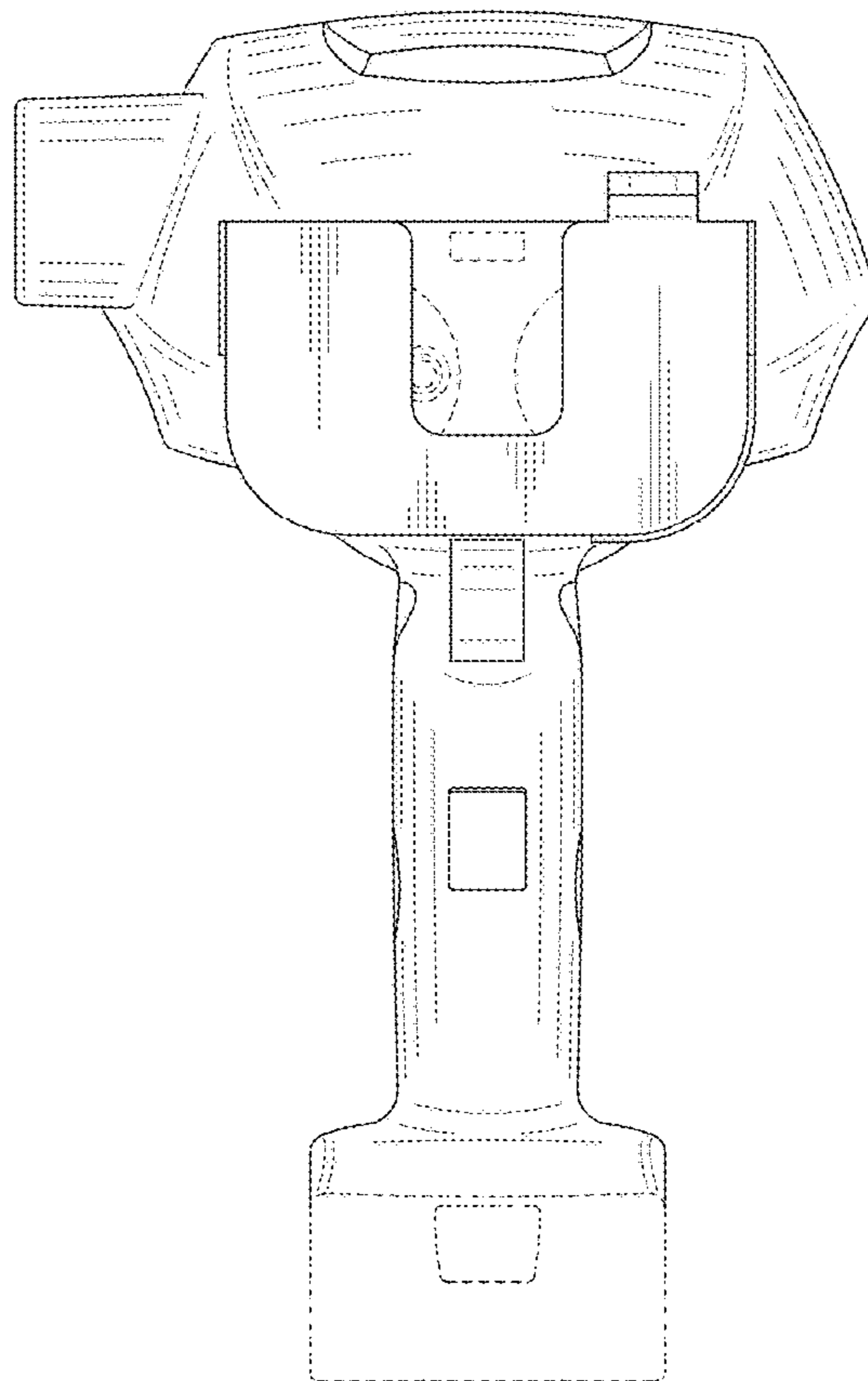


FIG. 3

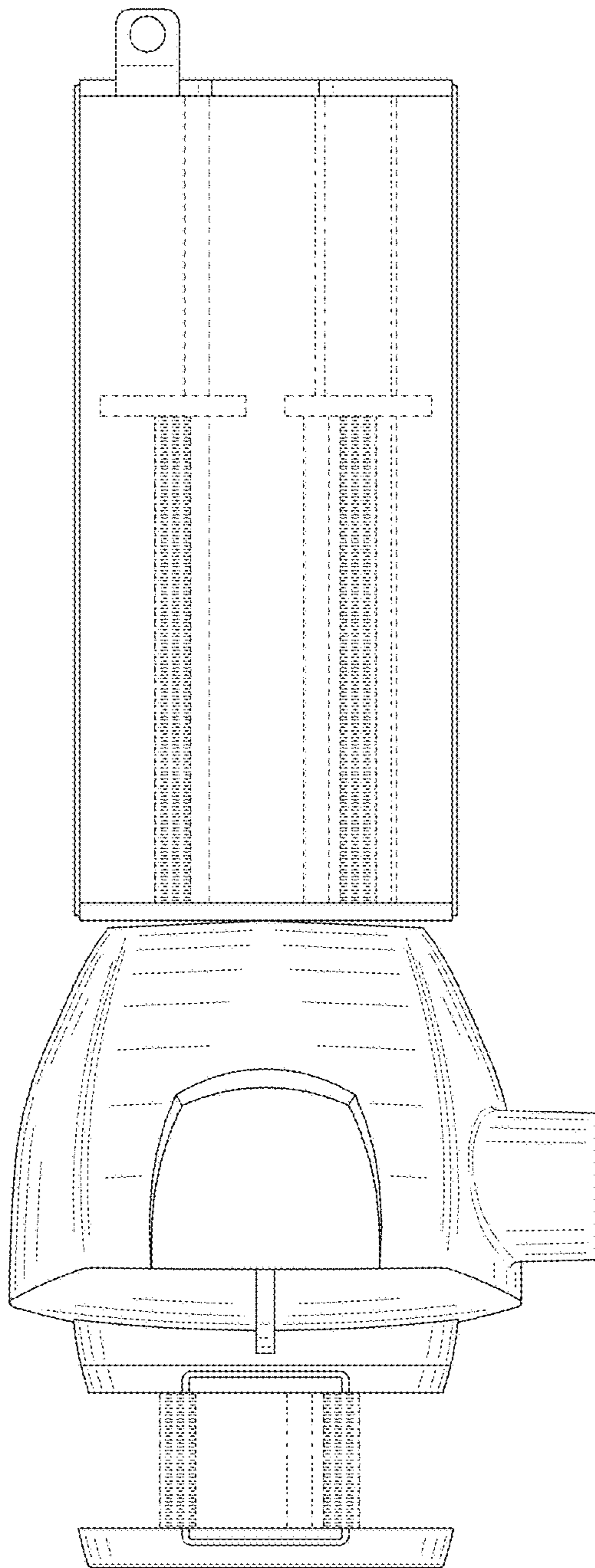


FIG. 4

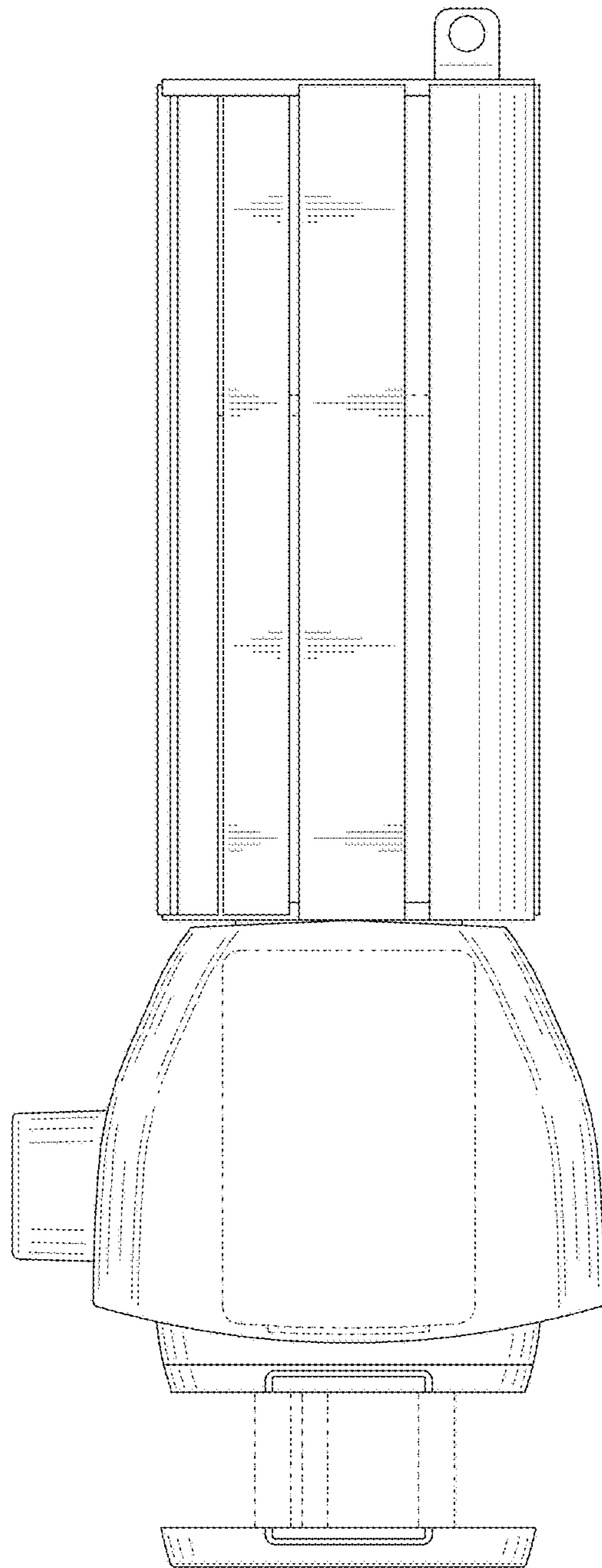


FIG. 5

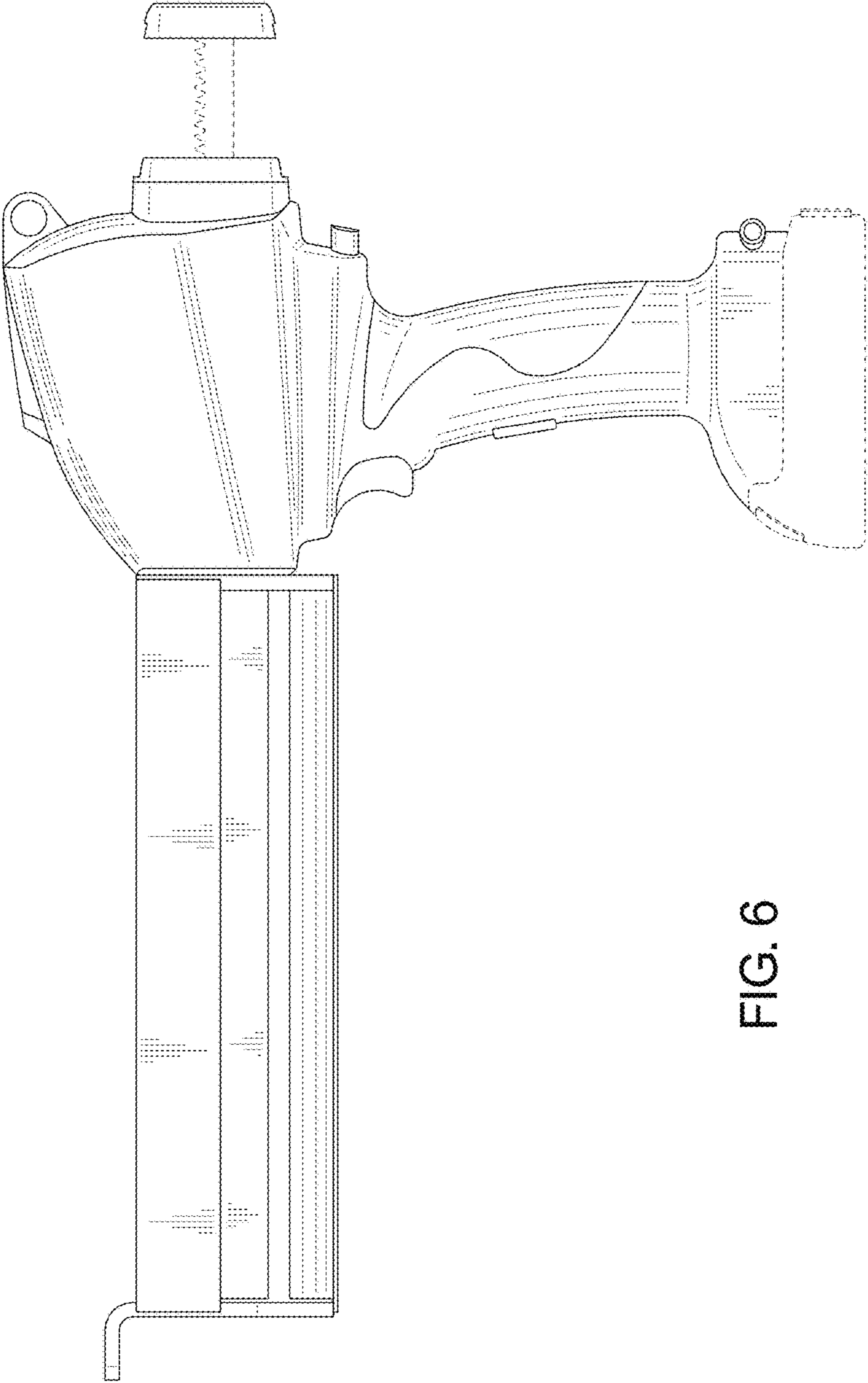


FIG. 6

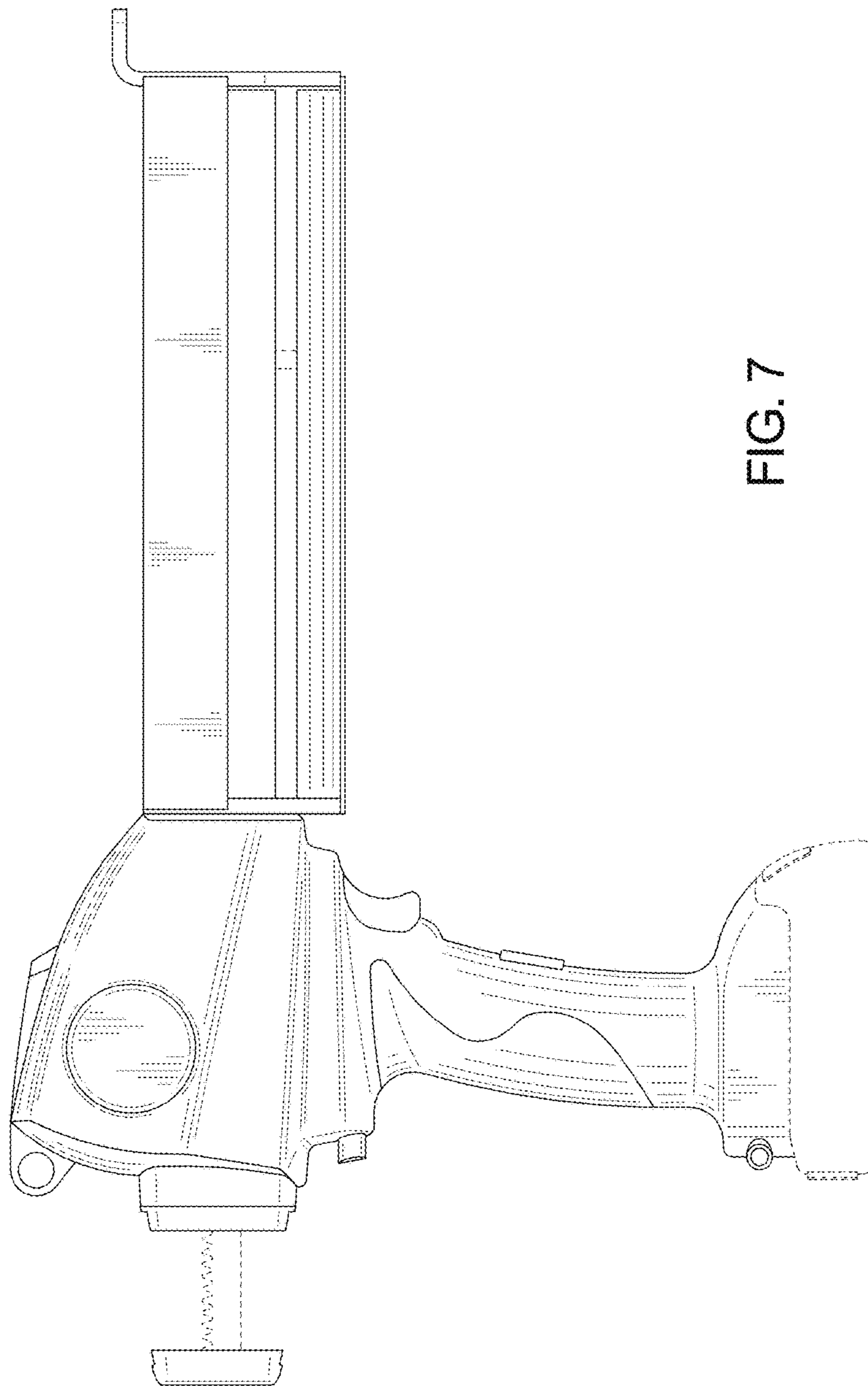


FIG. 7