



US00D848229S

(12) **United States Design Patent** (10) **Patent No.:** **US D848,229 S**  
**Heine et al.** (45) **Date of Patent:** **\*\* May 14, 2019**

(54) **CUTTING TOOL FOR TREE PRUNING**

(71) Applicant: **Fiskars Finland Oy Ab**, Helsinki (FI)

(72) Inventors: **Mikko Heine**, Helsinki (FI); **Kari Kunnas**, Helsinki (FI); **Sami Lyytikäinen**, Helsinki (FI); **Petteri Masalin**, Helsinki (FI)

(73) Assignee: **FISKARS FINLAND OY AB**, Helsinki (FI)

(\*\*) Term: **15 Years**

(21) Appl. No.: **29/602,503**

(22) Filed: **May 1, 2017**

(30) **Foreign Application Priority Data**

Nov. 7, 2016 (EM) ..... 003451434

(51) **LOC (11) Cl.** ..... **08-01**

(52) **U.S. Cl.**  
USPC ..... **D8/5**

(58) **Field of Classification Search**  
USPC ..... D8/1, 4, 5, 51, 52, 53, 54, 56, 58, 107  
CPC ..... A01G 3/02; A01G 3/021; A01G 3/0475;  
A01G 3/025; A01G 3/0255; A01G  
3/0335; A01G 3/033; A01G 3/037; B26B  
15/00

See application file for complete search history.

(56) **References Cited**

**U.S. PATENT DOCUMENTS**

875,159	A	12/1907	Crow	
967,502	A	8/1910	Cooper	
1,557,853	A	10/1925	Lipscomb	
1,697,749	A	1/1929	Billings	
2,795,034	A	6/1957	Forgette	
D295,017	S	4/1988	Evenson	
4,949,461	A *	8/1990	van der Merwe ...	A01G 3/0255 29/283.5

D321,816	S *	11/1991	Fushiya	.....	D8/7
D329,796	S	9/1992	Olson et al.		
D367,416	S	2/1996	Gustafson et al.		
D379,422	S	5/1997	Yates et al.		
5,950,315	A *	9/1999	Linden	.....	A01G 3/0255 30/188
D429,130	S	8/2000	Fallandy		
D487,386	S *	3/2004	Clivio	.....	D8/5
6,748,663	B2	6/2004	Linden		
D494,039	S	8/2004	Tsai		
D519,821	S	5/2006	Tsai		
D551,530	S	9/2007	Hirsch		

(Continued)

*Primary Examiner* — Sandra S Snapp

*Assistant Examiner* — Ieisha N Price

(74) *Attorney, Agent, or Firm* — Leason Ellis LLP

(57) **CLAIM**

We claim the ornamental design for a cutting tool for tree pruning, as shown and described.

**DESCRIPTION**

FIG. 1 is a top perspective view of an embodiment of the claimed design;  
 FIG. 2 is front view thereof;  
 FIG. 3 is a rear view thereof;  
 FIG. 4 is a left side view thereof;  
 FIG. 5 is a right side view thereof;  
 FIG. 6 is a top view thereof;  
 FIG. 7 is a bottom view thereof;  
 FIG. 8 is a top perspective view of the second embodiment of the claimed design;  
 FIG. 9 is front view thereof;  
 FIG. 10 is a rear view thereof;  
 FIG. 11 is a left side view thereof;  
 FIG. 12 is a right side view thereof;  
 FIG. 13 is a top view thereof; and,  
 FIG. 14 is a bottom view thereof.  
 Any portion of the article depicted in broken lines forms no part of the claimed design.

**1 Claim, 12 Drawing Sheets**



(56)

**References Cited**

U.S. PATENT DOCUMENTS

D570,659 S	6/2008	Lin	2004/0031156 A1*	2/2004	Linden	.....	A01G 3/08
D592,482 S	5/2009	Gregory					30/249
D599,172 S	9/2009	Wang et al.	2004/0055164 A1*	3/2004	Molins	.....	A01G 3/033
D599,626 S	9/2009	Wang et al.					30/228
D630,927 S	1/2011	Huang	2004/0194320 A1*	10/2004	Hsieh	.....	A01G 3/0255
D632,858 S	2/2011	Sgroi et al.					30/250
D636,956 S	4/2011	Sgroi et al.	2006/0225289 A1	10/2006	Glodowski		
8,069,573 B2*	12/2011	Wu	2009/0038162 A1*	2/2009	Shan	.....	A01G 3/0255
							30/249
D655,815 S	3/2012	Miller et al.	2010/0186559 A1	7/2010	Pell		
8,683,704 B2*	4/2014	Scott	2010/0199502 A1*	8/2010	Linden	.....	A01G 3/0255
							30/249
D743,770 S	11/2015	Hsieh	2011/0107606 A1*	5/2011	Shan	.....	A01G 3/0255
D754,517 S	4/2016	Henderson					30/249
D773,276 S	12/2016	Ou	2011/0271532 A1*	11/2011	Wu	.....	A01G 3/0255
D806,489 S *	1/2018	Fancelli					30/249
9,872,591 B2	1/2018	Casavan	2012/0167396 A1*	7/2012	Wu	.....	A01G 3/0255
							30/249
			2017/0099780 A1*	4/2017	Linden	.....	A01G 3/0255

\* cited by examiner



FIG. 1



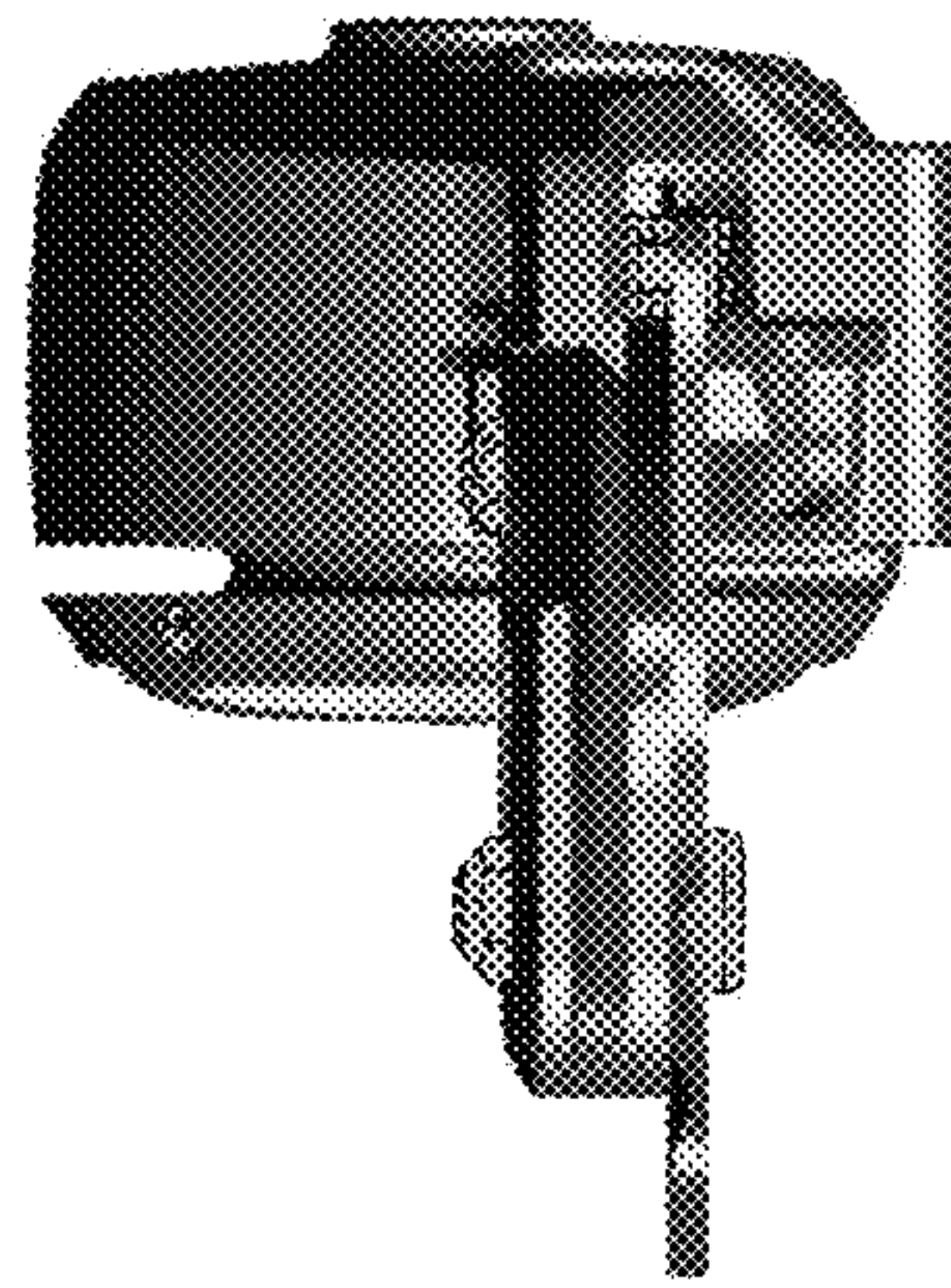


FIG. 2

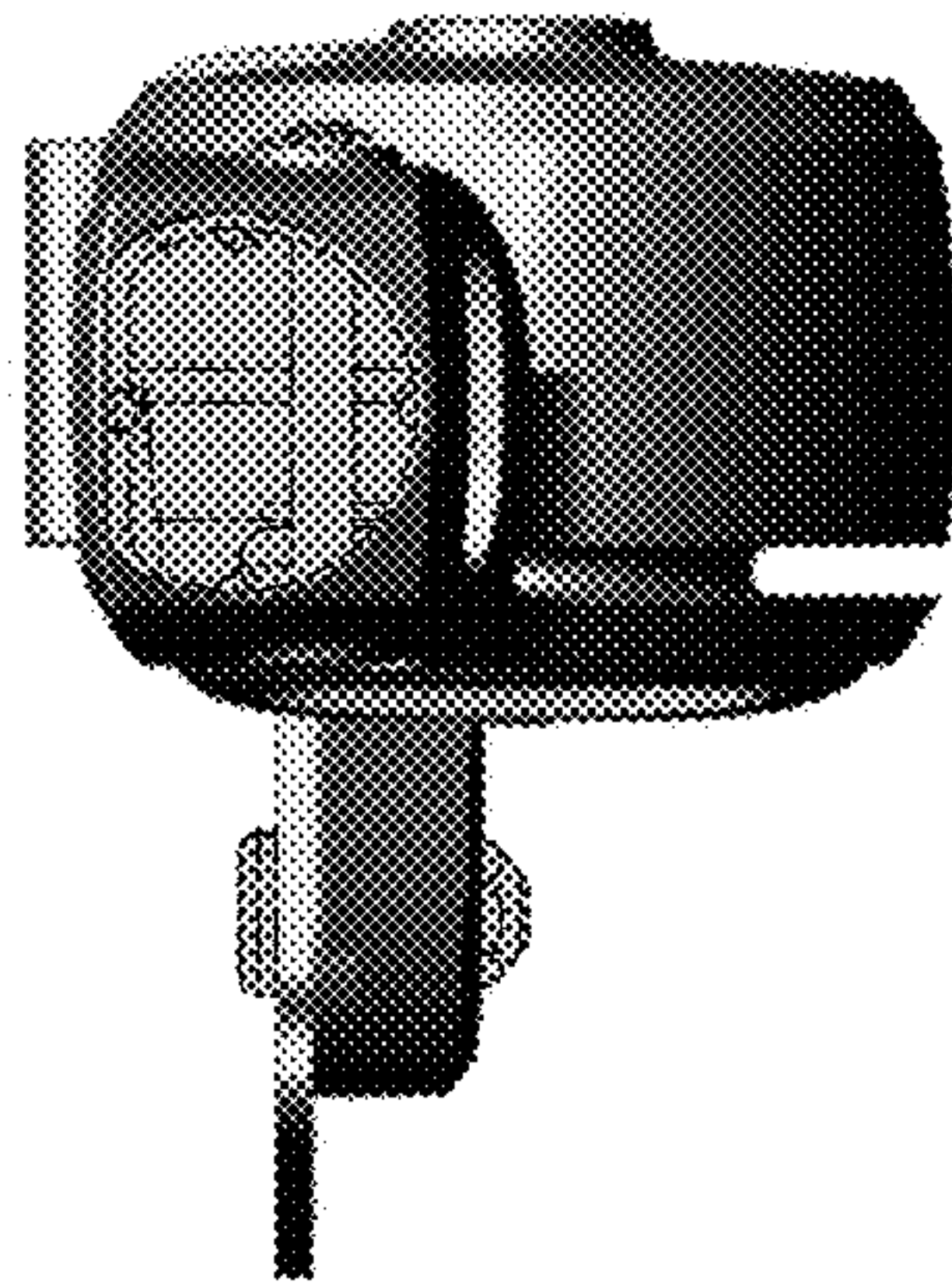


FIG. 3

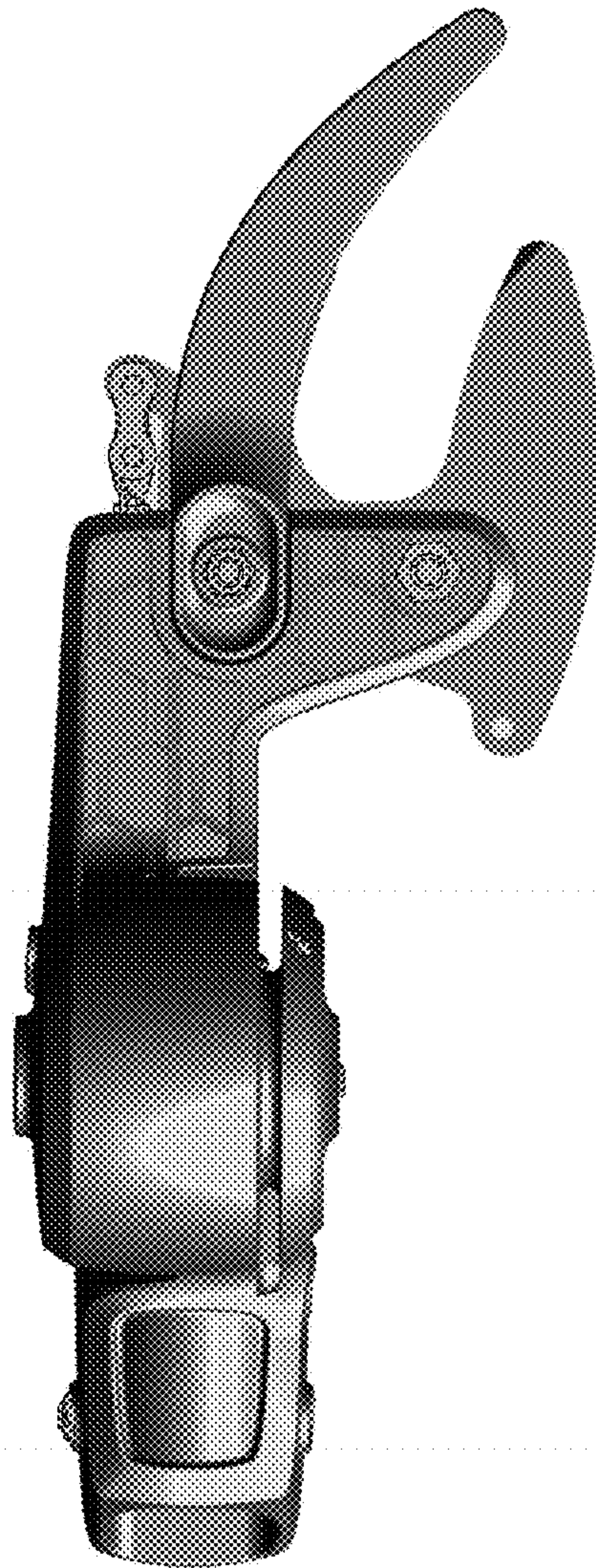


FIG. 4

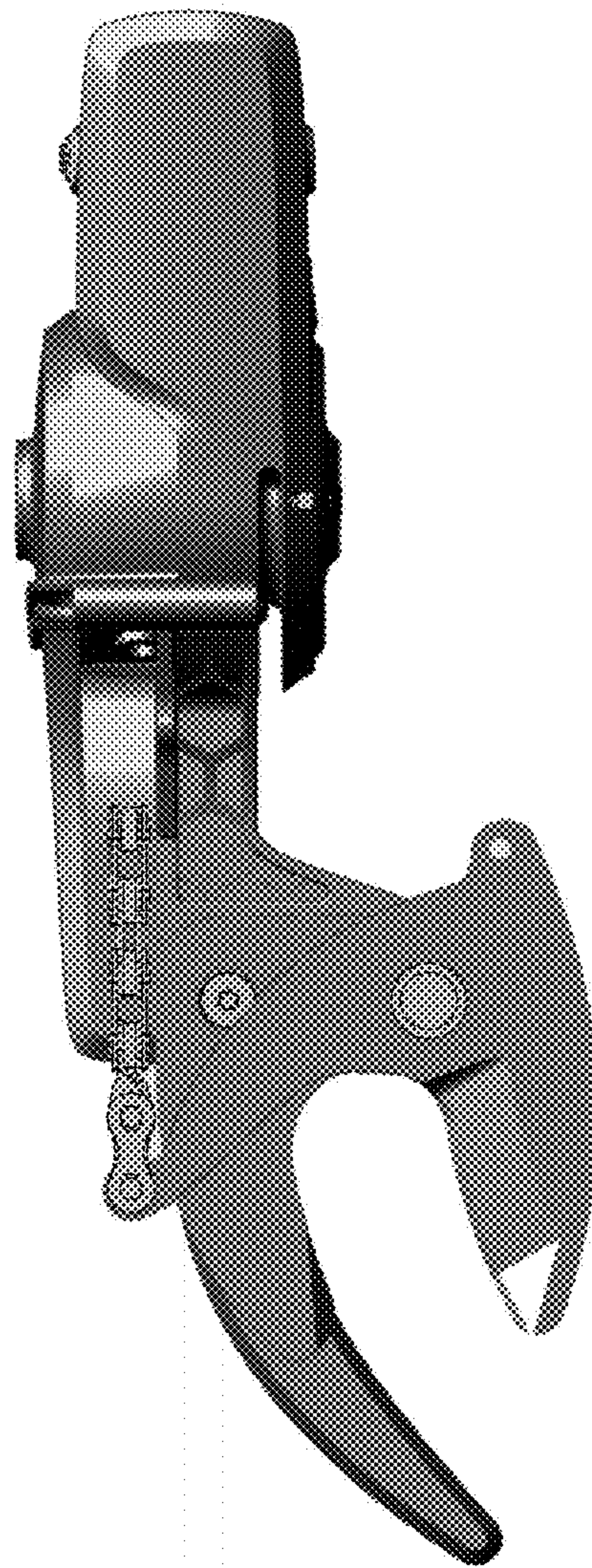


FIG. 5

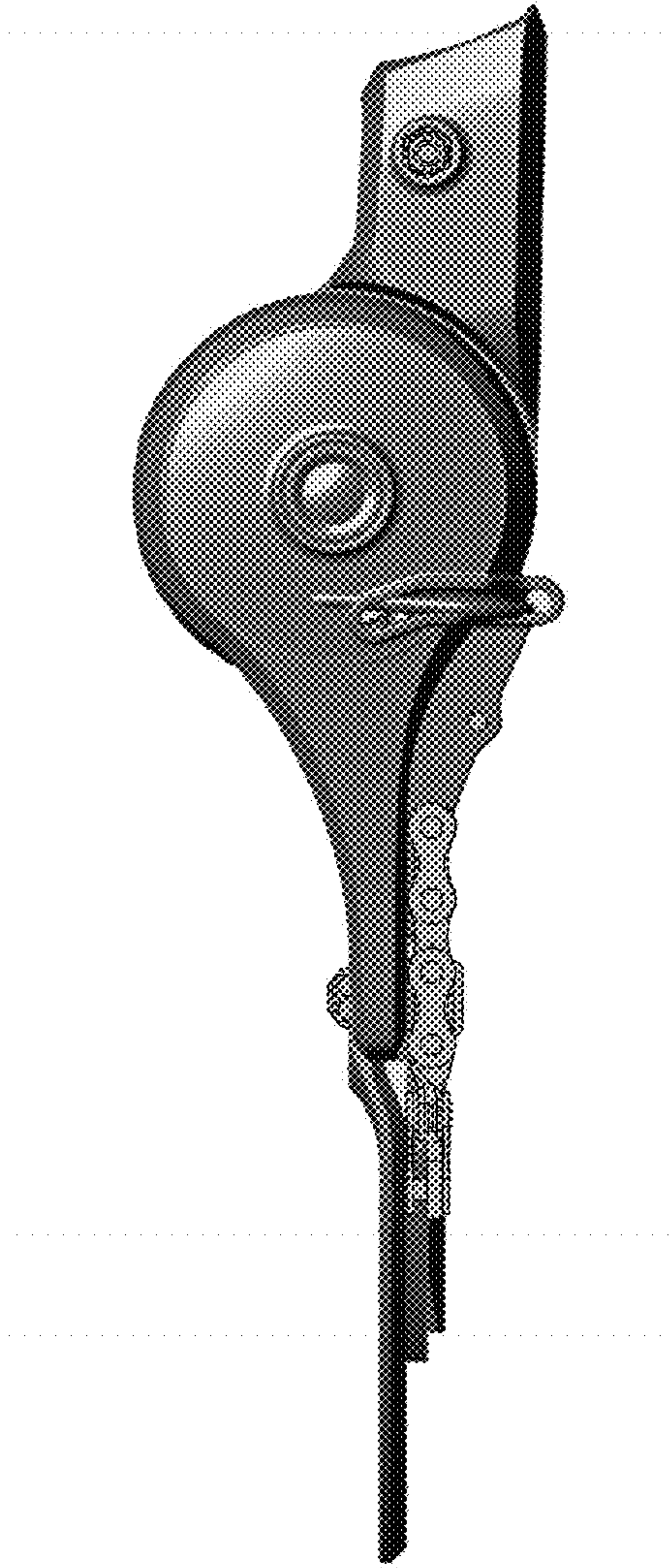


FIG. 6



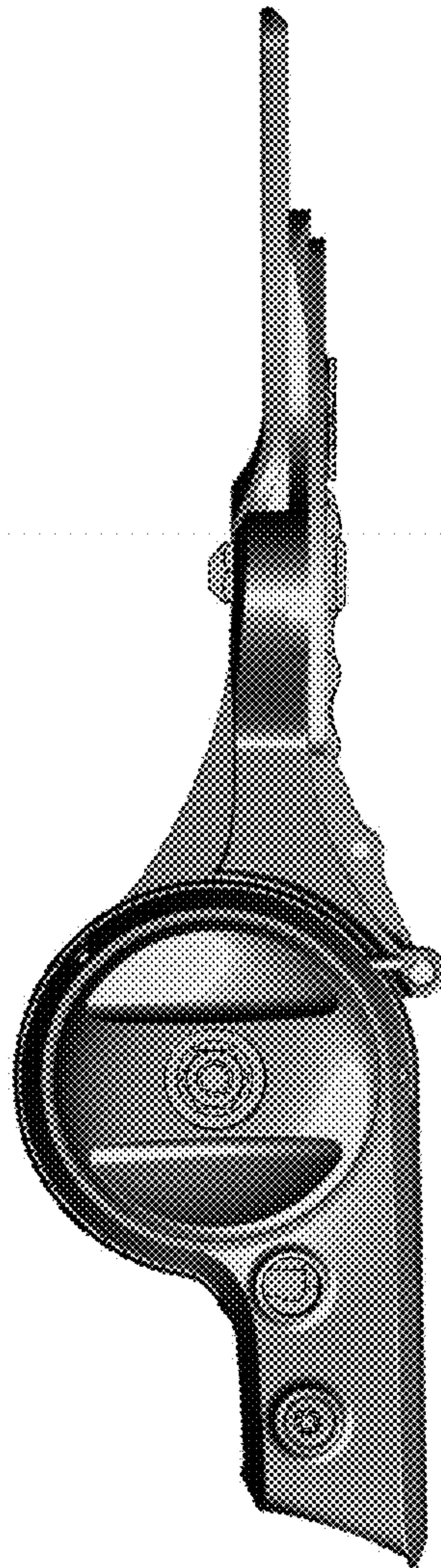


FIG. 7



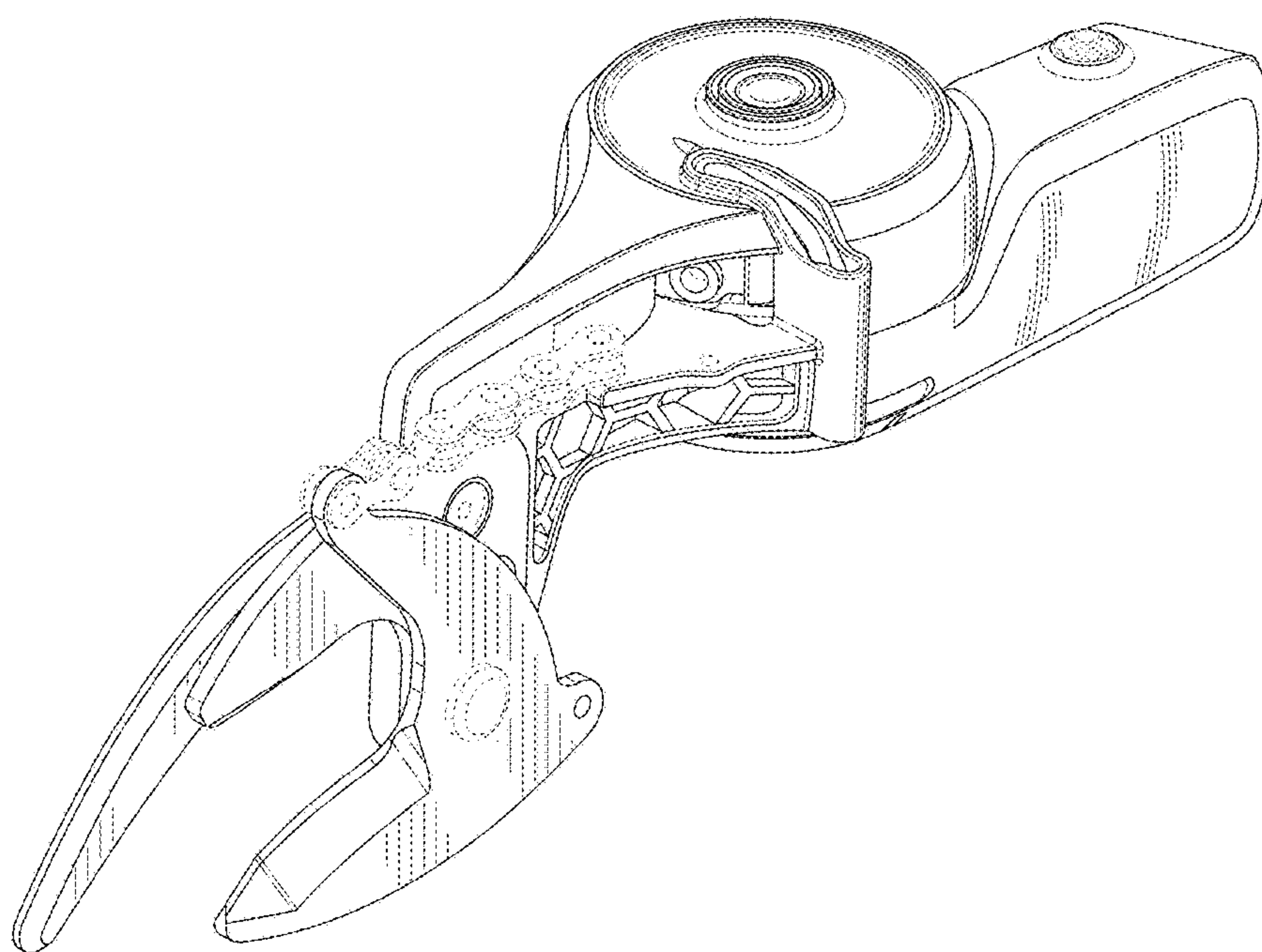


FIG. 8

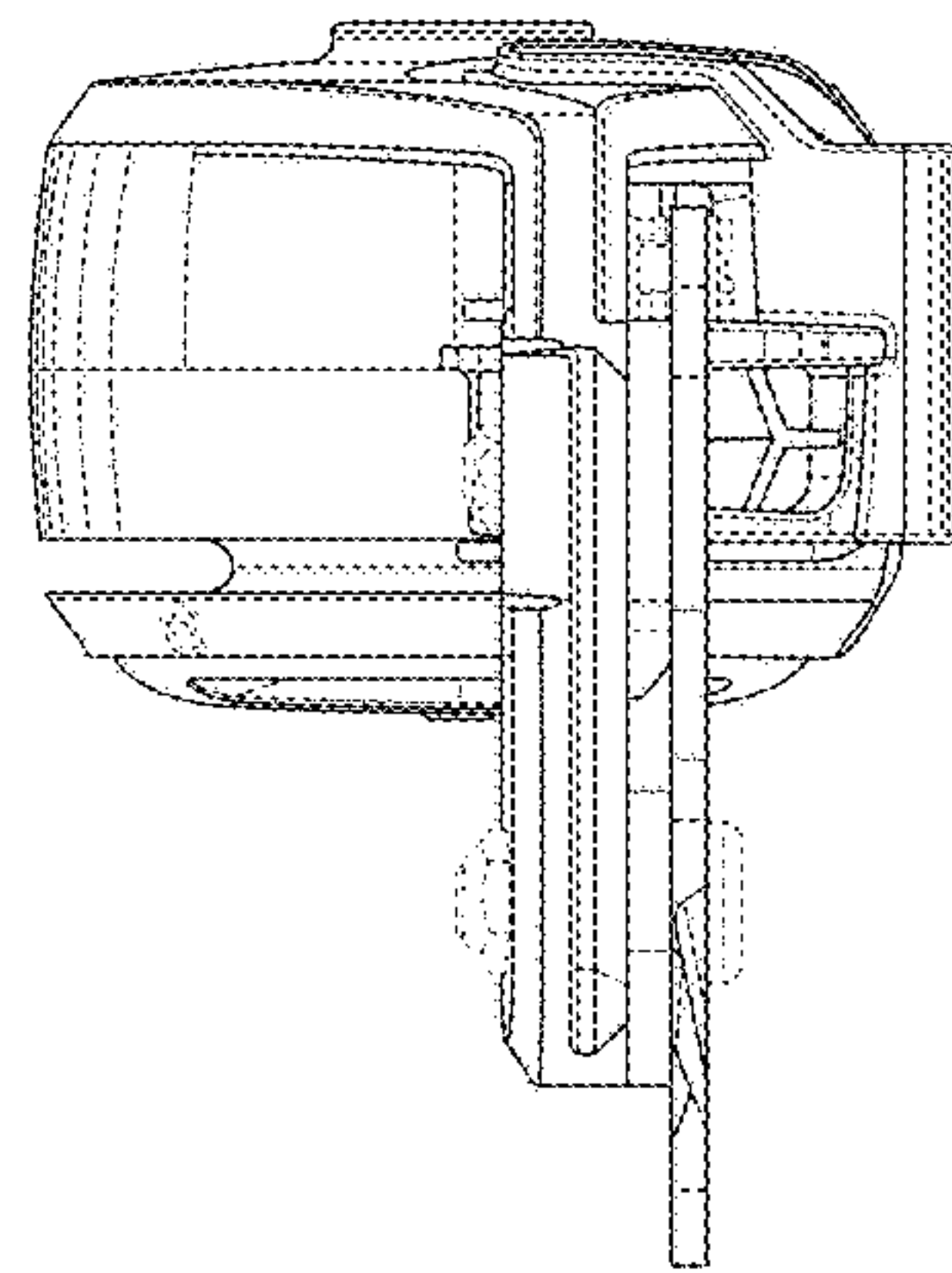


FIG. 9

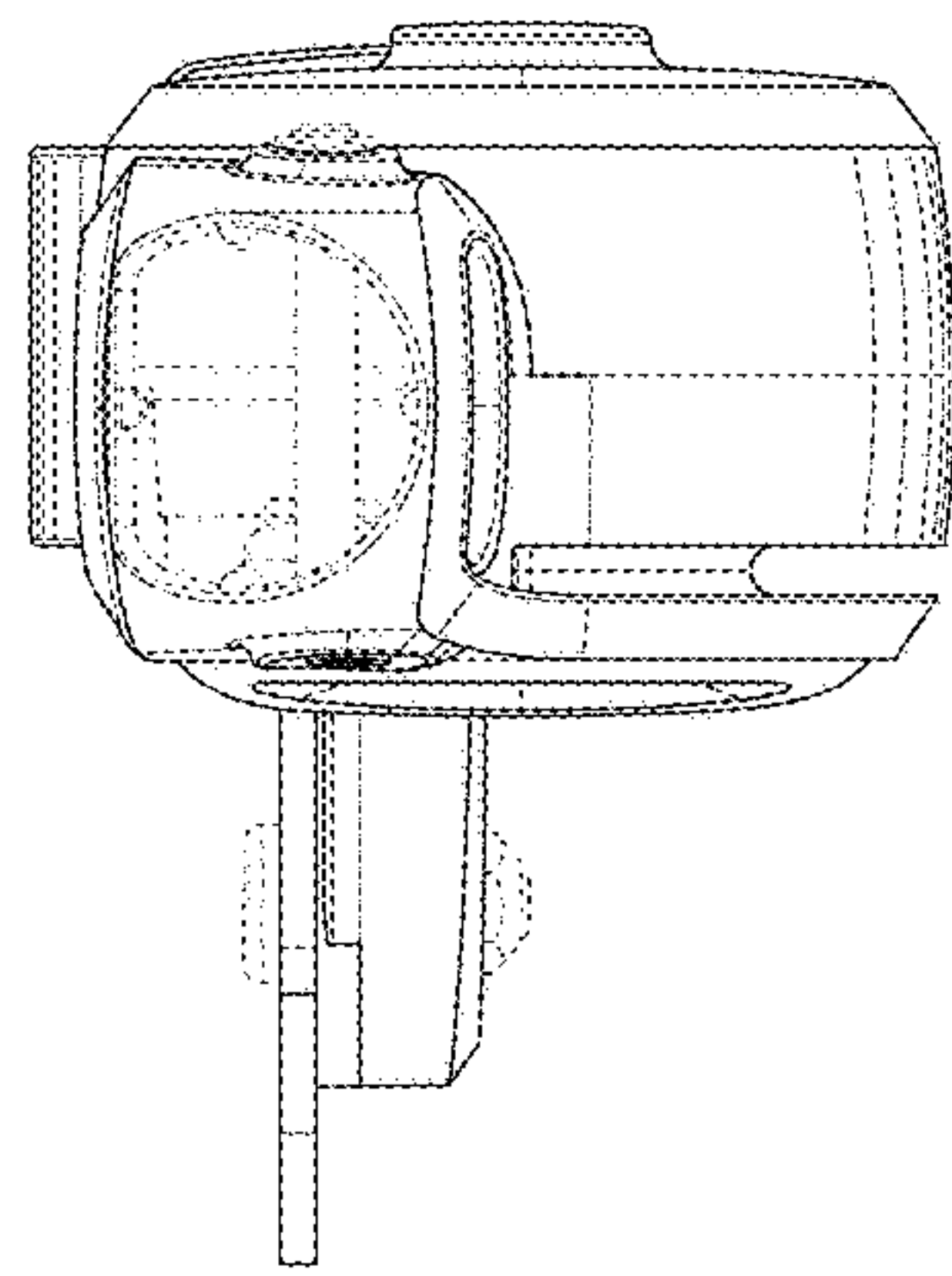


FIG. 10

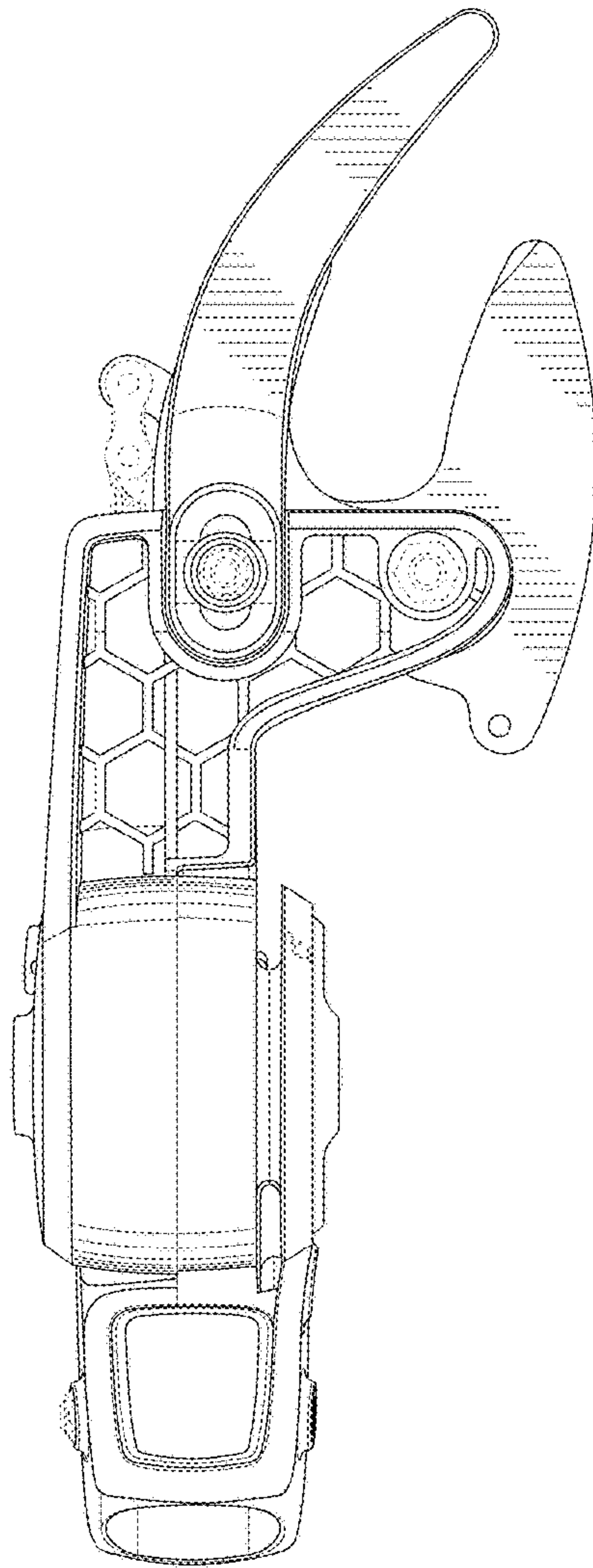


FIG. 11



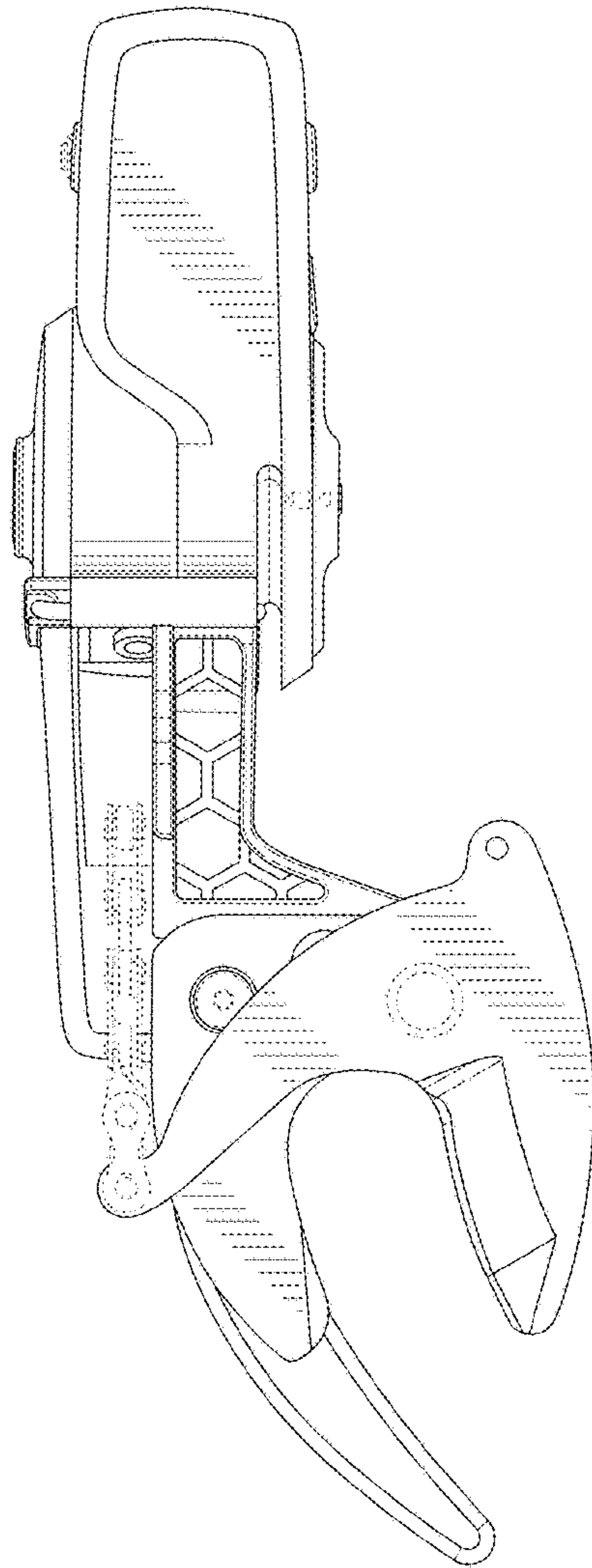


FIG. 12

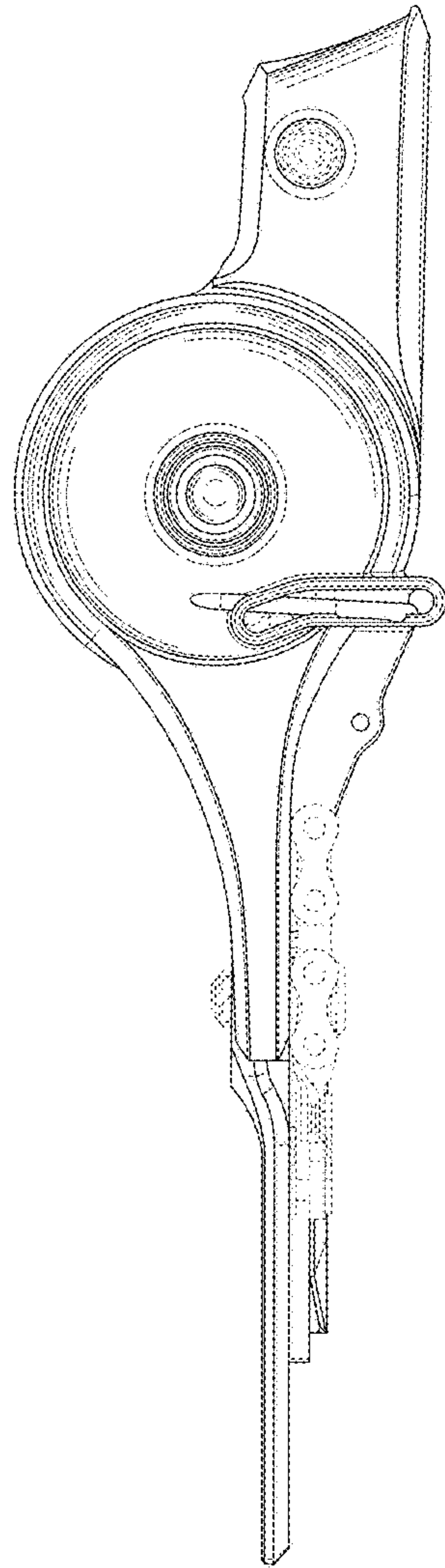


FIG. 13

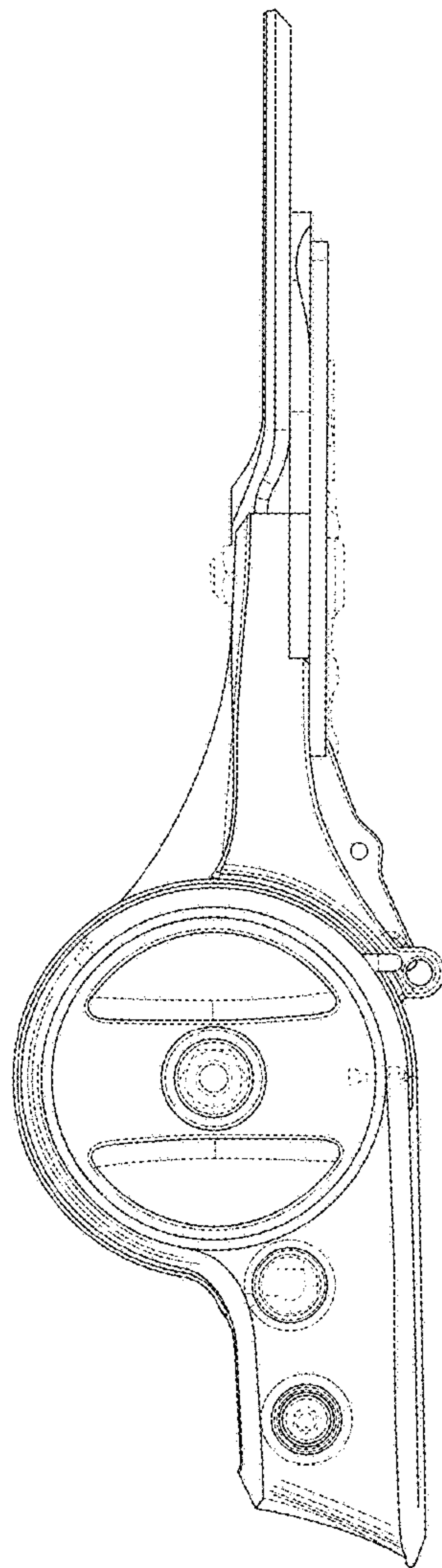


FIG. 14