



US00D848228S

(12) **United States Design Patent** (10) **Patent No.:** **US D848,228 S**  
**Frank** (45) **Date of Patent:** **\*\* May 14, 2019**

(54) **STAMP**  
(71) Applicant: **Aimee Nicole Frank**, Los Angeles, CA (US)  
(72) Inventor: **Aimee Nicole Frank**, Los Angeles, CA (US)  
(\*\*) Term: **15 Years**

(21) Appl. No.: **29/598,024**  
(22) Filed: **Mar. 22, 2017**  
(51) **LOC (11) Cl.** ..... **07-04**  
(52) **U.S. Cl.**  
USPC ..... **D7/675**  
(58) **Field of Classification Search**  
USPC ..... D18/15, 16, 17, 18, 50, 19; D19/65-68, D19/70, 71; D7/675  
CPC . B41J 2/1752; B41J 3/36; B41J 29/023; B41J 2/17526; B41J 3/28; B41K 1/00; B41K 1/38; B41K 1/006; B41K 1/02; B41K 1/08; B41K 1/40; B41K 1/42; B41K 1/52; B41K 1/54; B41K 1/56; B41K 1/36; B23K 26/00; B23K 26/10; B41C 3/04; B41D 7/00

See application file for complete search history.

(56) **References Cited**

**U.S. PATENT DOCUMENTS**

D274,592 S *	7/1984	Bever	426/87
D351,078 S *	10/1994	Livieratos	D25/138
D381,038 S *	7/1997	Yasoshima	D18/15
D381,357 S *	7/1997	Yasoshima	D18/17
D386,200 S *	11/1997	Winston	D18/17
D481,914 S *	11/2003	Short	D7/675
D517,592 S *	3/2006	Salis	D18/17
D547,527 S *	7/2007	Thiaudiere	D1/129
D570,157 S *	6/2008	De La Torre	D7/410
D621,204 S *	8/2010	Henry	D7/354

D679,318 S *	4/2013	Yasoshima	D18/17
D687,884 S *	8/2013	Patterson	D18/17
D816,763 S *	5/2018	Yasoshima	D18/15

**OTHER PUBLICATIONS**

Cookie Cutter Kingdom. Link: <https://www.cookiecutterkdom.com/products/toast-bread-cookie-cutter>. Aug. 10, 2015. Toast or Bread Cookie Cutter. (Year: 2015).\*

\* cited by examiner

*Primary Examiner* — Susan Bennett Hattan

*Assistant Examiner* — Lauren D McVey

(74) *Attorney, Agent, or Firm* — Seed IP Law Group LLP

(57) **CLAIM**

The ornamental design for a stamp, as shown and described.

**DESCRIPTION**

FIG. 1 is an exploded perspective view of a stamp showing my new design in an open position;

FIG. 2 is an exploded top plan view of the stamp in an open position;

FIG. 3 is a top plan view of the stamp in a closed position;

FIG. 4 is an exploded front elevation view of the stamp in an open position.

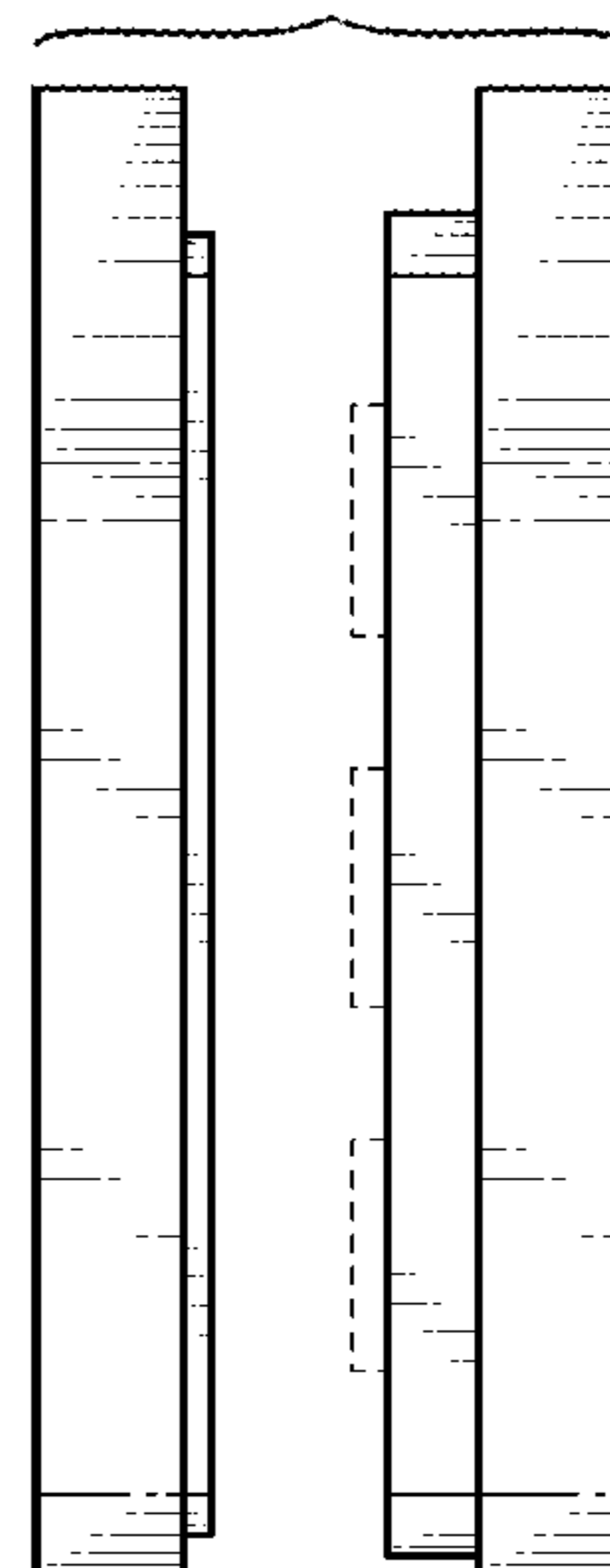
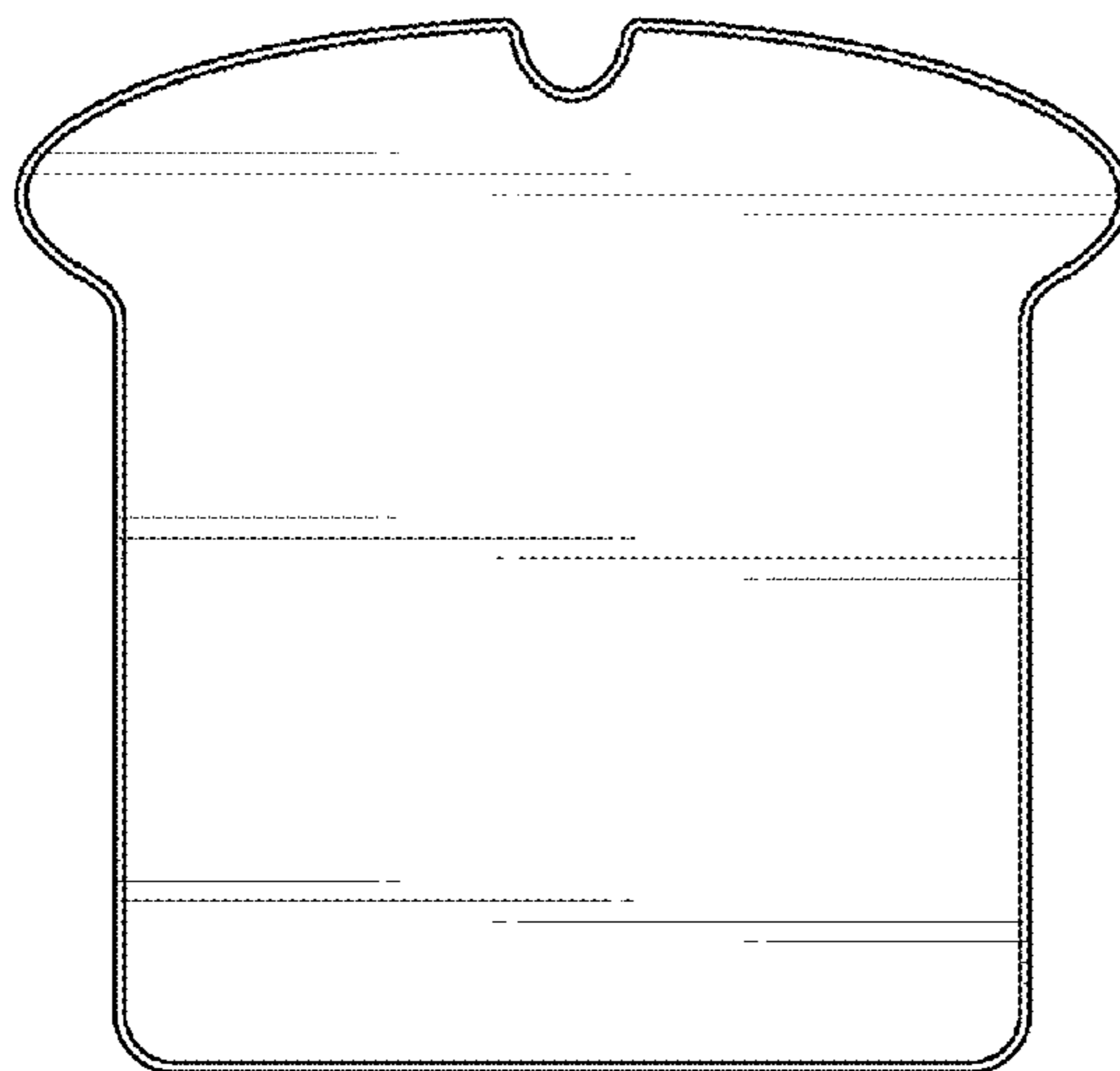
FIG. 5 is an exploded rear elevation view of the stamp in an open position;

FIG. 6 is an exploded left side elevation view of the stamp in an open position; the right side elevation view of the stamp is a mirror image of the left side elevation view; and,

FIG. 7 is a bottom plan view of the stamp in a closed position.

The outermost broken lines immediately adjacent to the claimed edge represent the bounds of the claimed design while all other broken lines are directed to environment; the broken lines form no part of the claimed design.

**1 Claim, 4 Drawing Sheets**



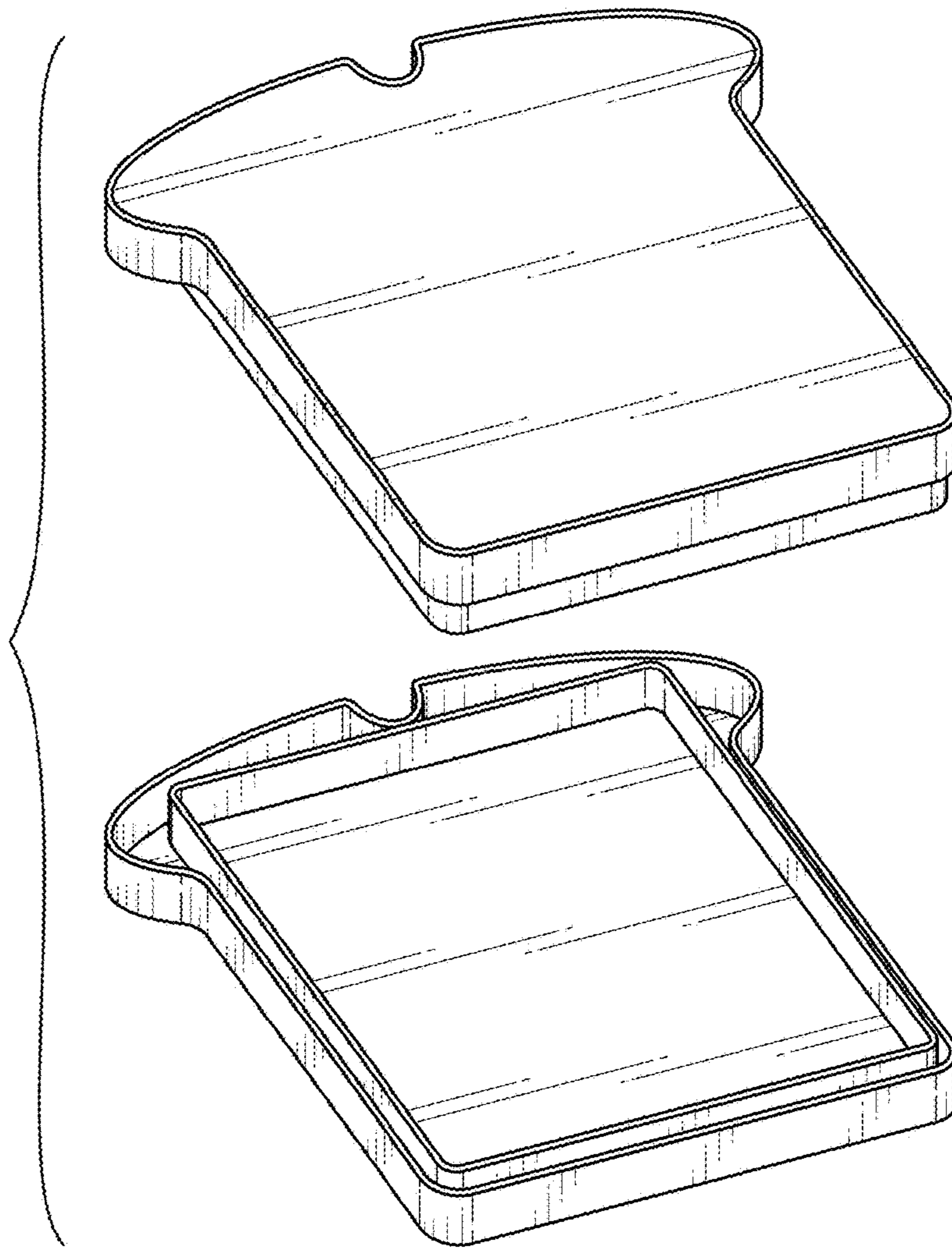


FIG. 1

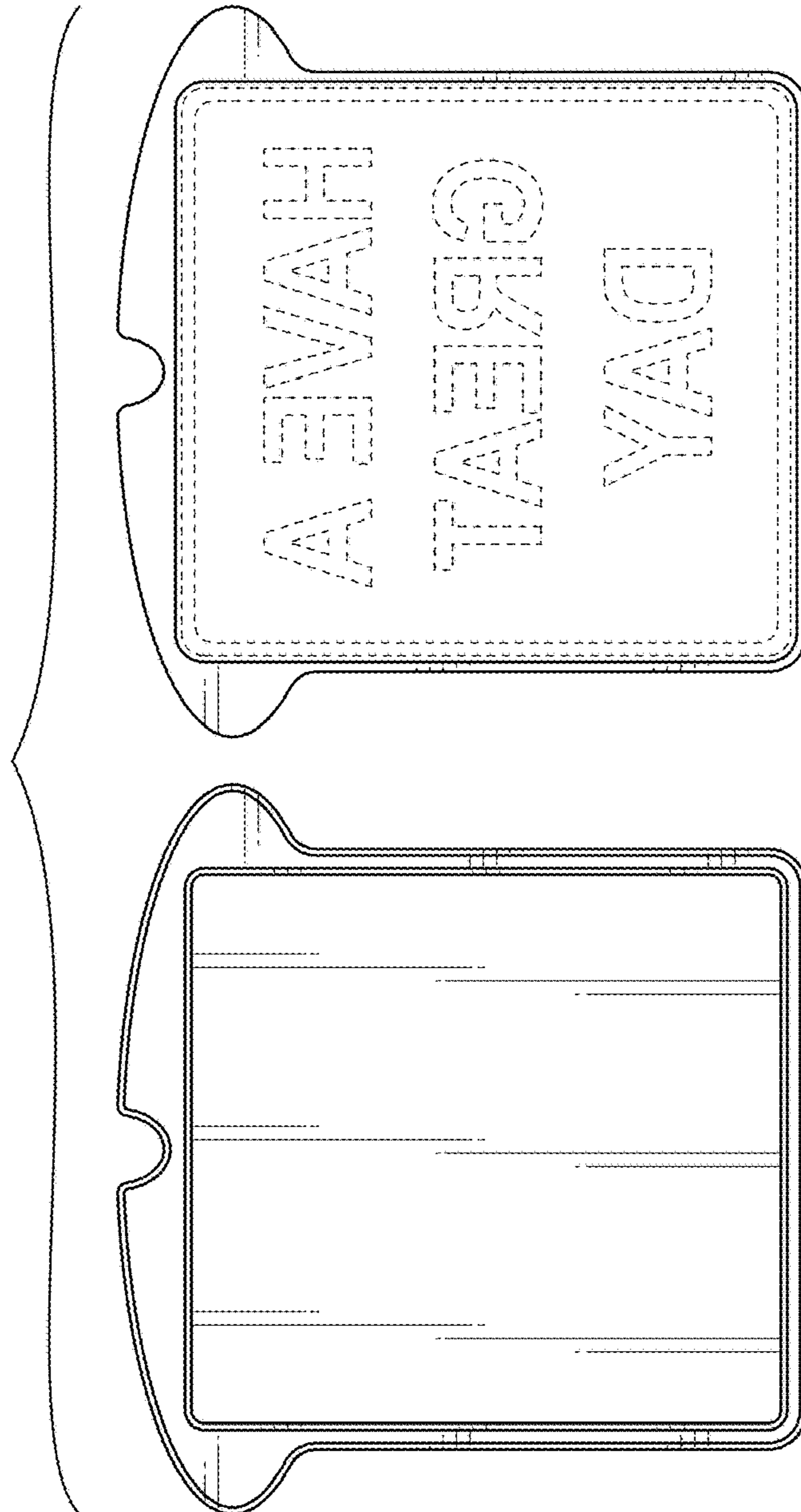


FIG. 2

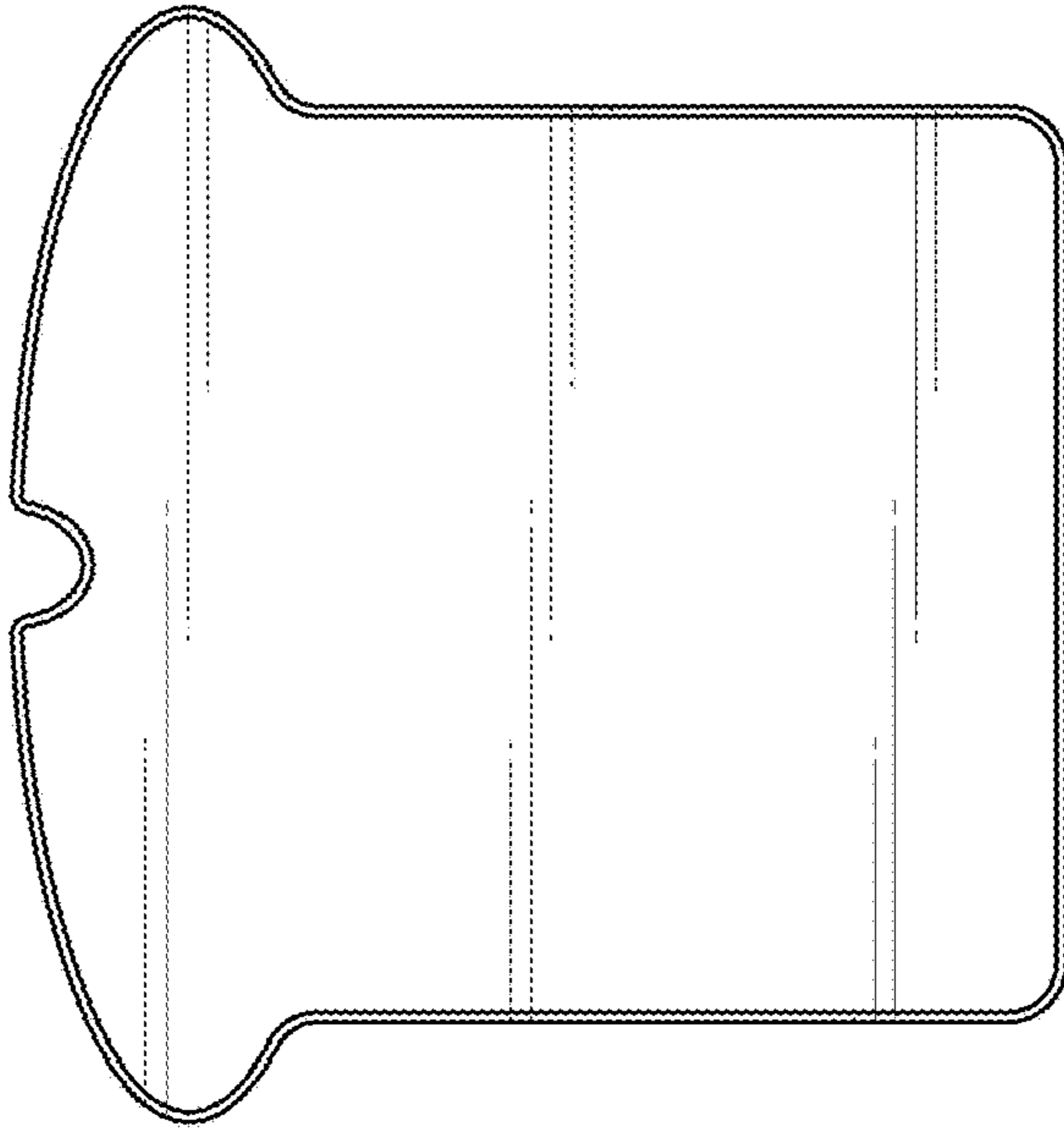


FIG. 3

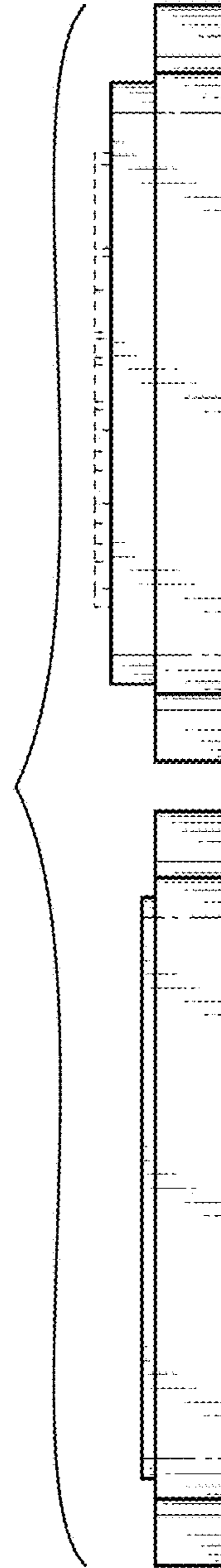


FIG. 4

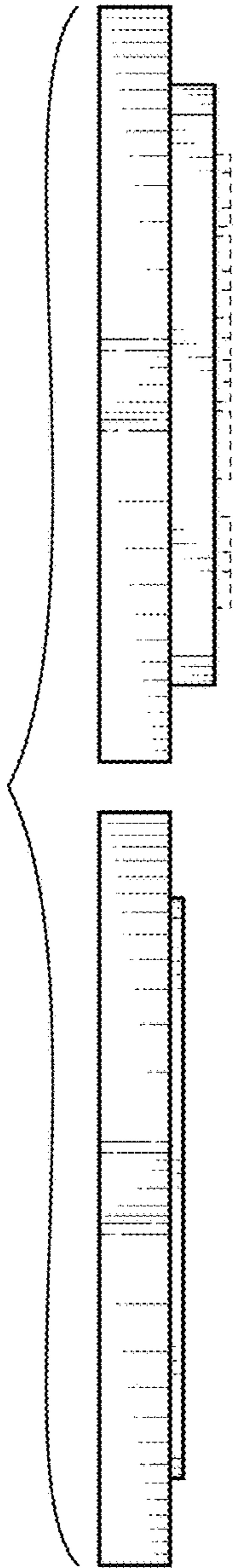


FIG. 5

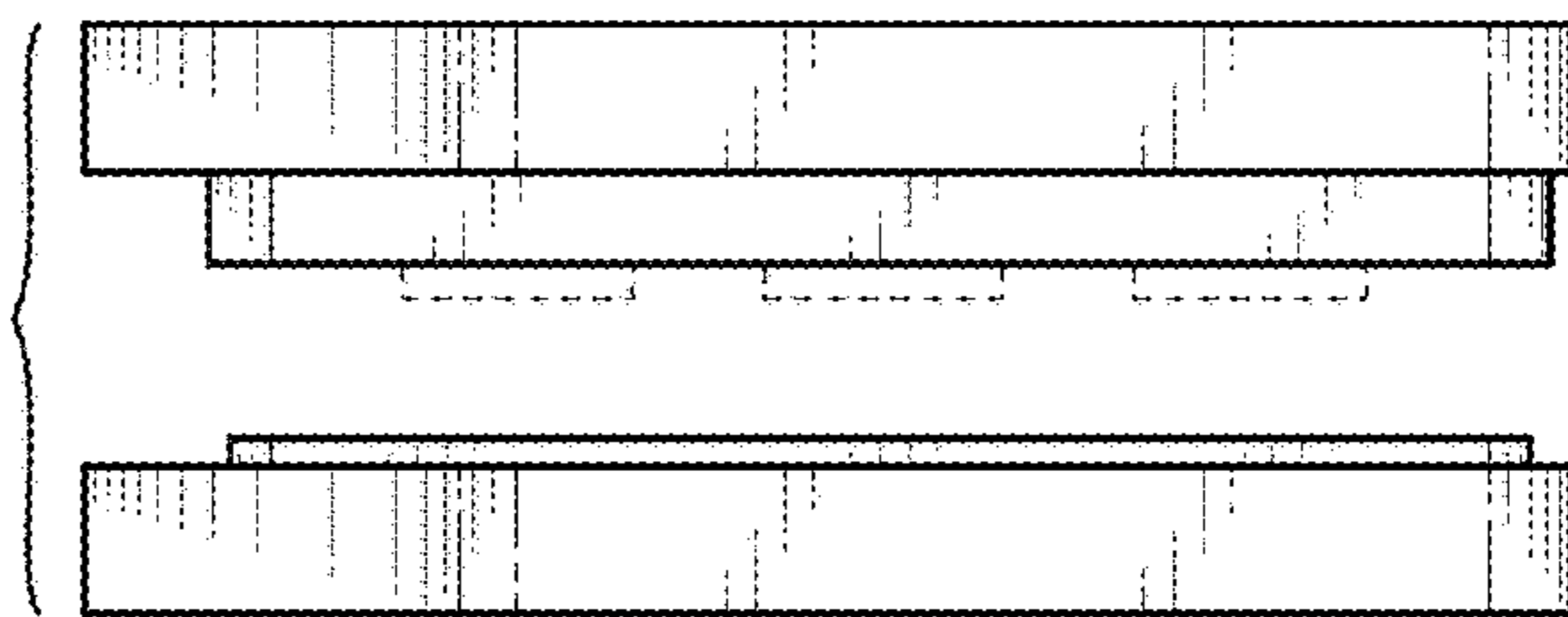


FIG. 6

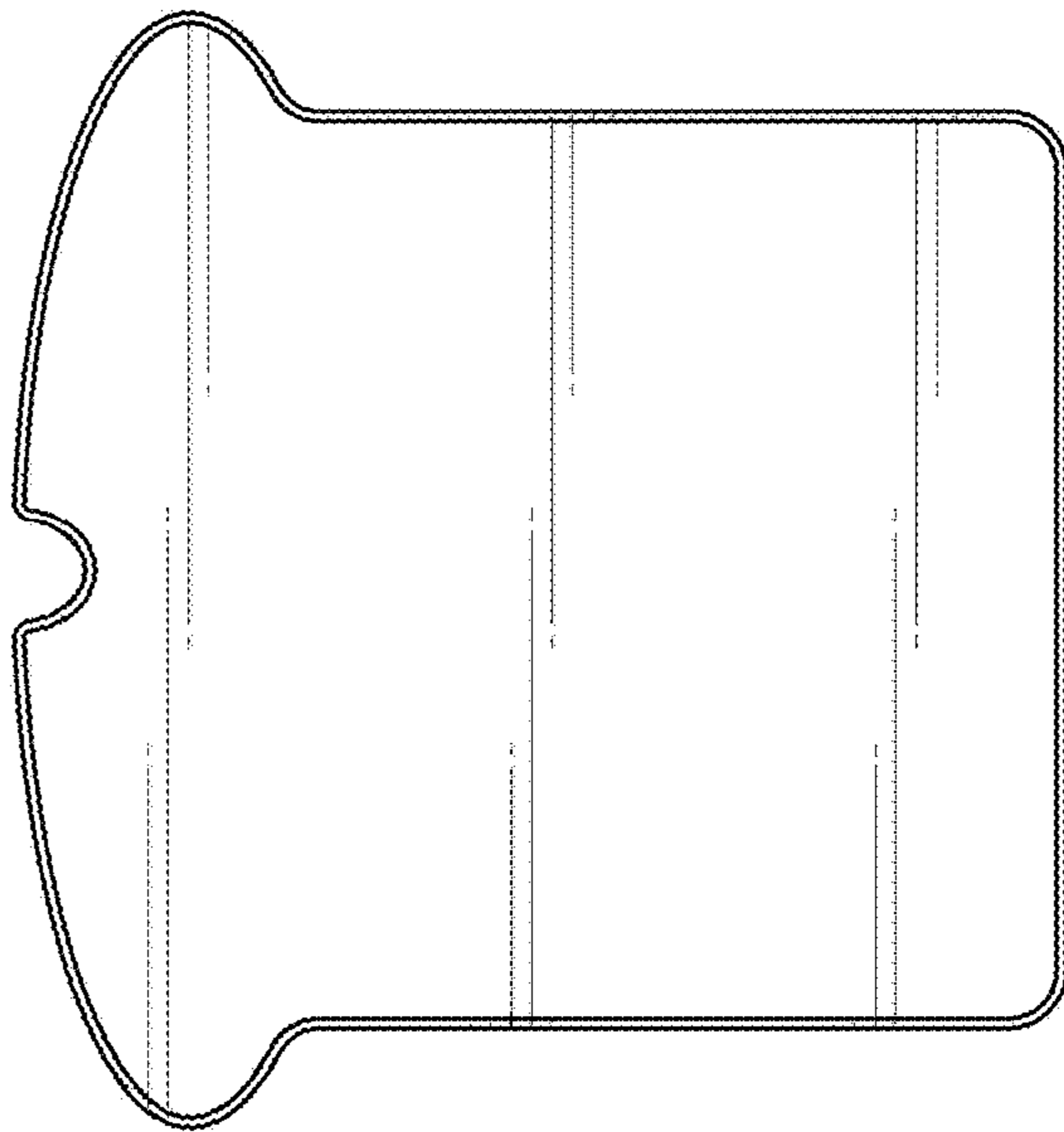


FIG. 7