



US00D848226S

(12) **United States Design Patent**
Joseph

(10) **Patent No.:** **US D848,226 S**

(45) **Date of Patent:** **** May 14, 2019**

(54) **BOWL**

(71) Applicant: **JOSEPH JOSEPH LTD.**, London
(GB)

(72) Inventor: **Antony Joseph**, London (GB)

(73) Assignee: **JOSEPH JOSEPH LTD.**, London
(GB)

(**) Term: **15 Years**

(21) Appl. No.: **29/541,631**

(22) Filed: **Oct. 6, 2015**

(30) **Foreign Application Priority Data**

Apr. 10, 2015 (EM) 002678458-0004

(51) **LOC (11) Cl.** **09-07**

(52) **U.S. Cl.**
USPC **D7/630**

(58) **Field of Classification Search**

USPC D7/610, 709, 601, 602, 612-615, 629,
D7/538-542, 630, 500, 502, 503, 505,
D7/509, 510, 511, 513, 523, 543, 544,
D7/545, 546, 547, 550.1, 553.6, 553.7,
D7/553.8, 554.1, 554.2, 554.4, 555, 557,
D7/586, 587; D9/761, 414, 424-432,
D9/688, 690, 767, 772, 537, 545, 549,
D9/454; D26/9, 10, 12
CPC A47G 19/26; A47G 19/02; A47G 19/08;
A47G 19/027; A47G 19/0241; A47G
19/22; A47G 19/23; A47G 23/08; A47G
23/02; B65D 85/36; B65D 2543/00296;
B65D 2543/00518; B65D 2543/00555;
B65D 2543/00351

See application file for complete search history.

(56) **References Cited**

U.S. PATENT DOCUMENTS

3,391,847 A * 7/1968 Christine B65D 51/185
220/257.2
D222,375 S * 10/1971 Bencik D7/523

D239,999 S * 5/1976 Christian D7/584
D281,754 S * 12/1985 Trombly D7/540
(Continued)

OTHER PUBLICATIONS

M-Cuisine™ Bowl set, [online], product reviewed on Apr. 27, 2016,
retrieved on Dec. 5, 2017. Retrieved from, <URL: <https://www.josephjoseph.com/en-us/m-cuisine-cool-touch-bowl-set>>, 1 page.*
(Continued)

Primary Examiner — Shannon W Morgan
(74) *Attorney, Agent, or Firm* — Millen, White, Zelano &
Branigan, PC

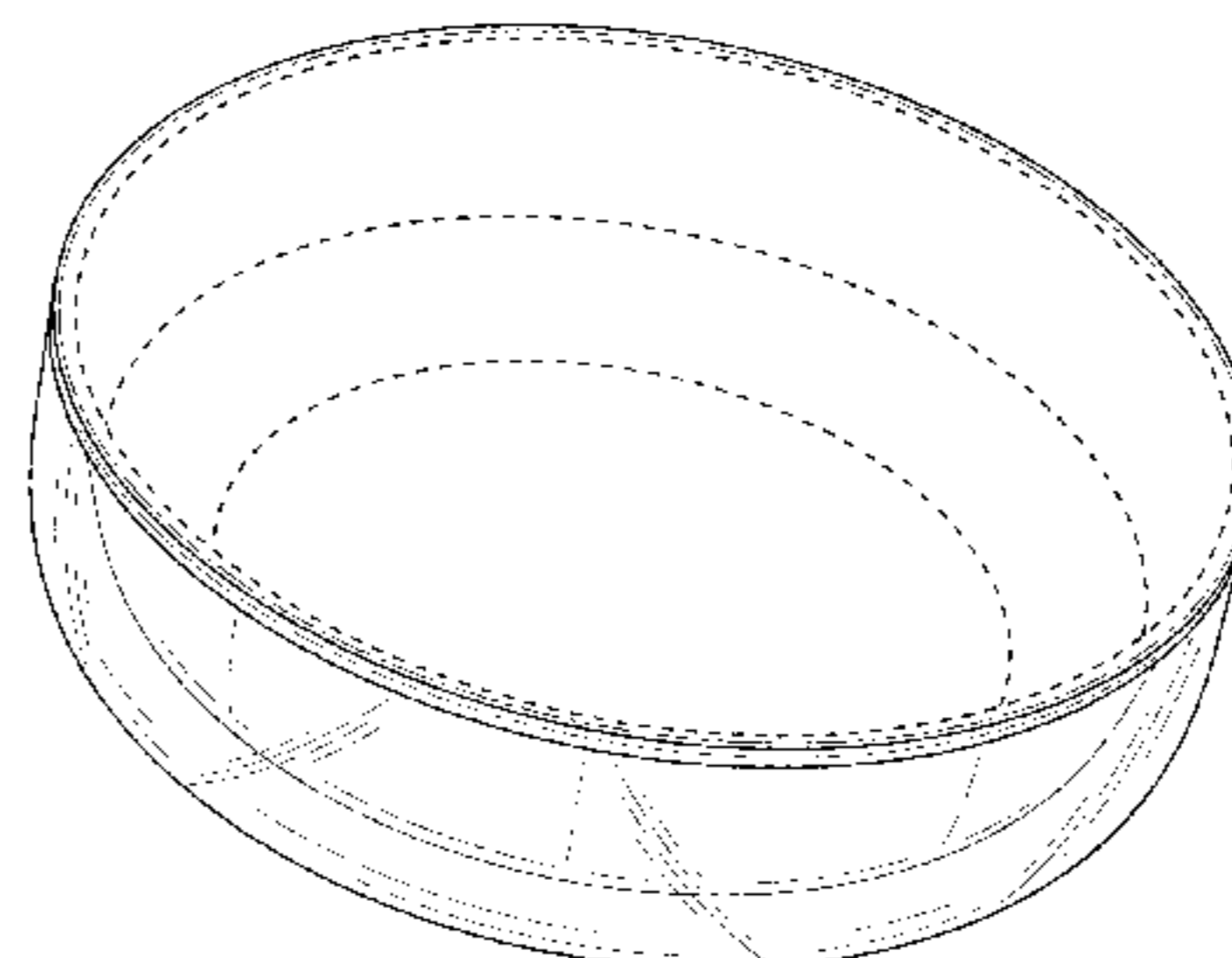
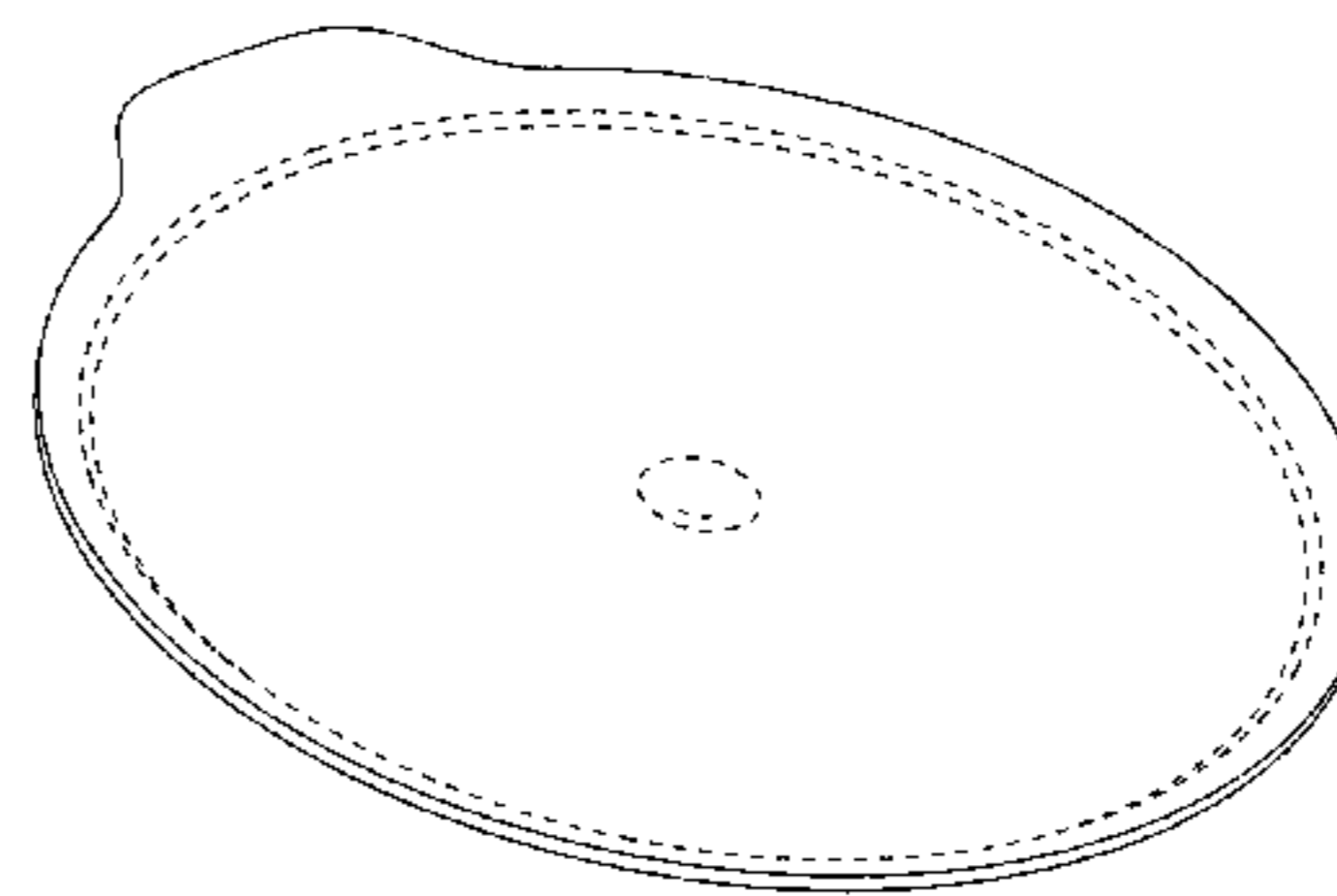
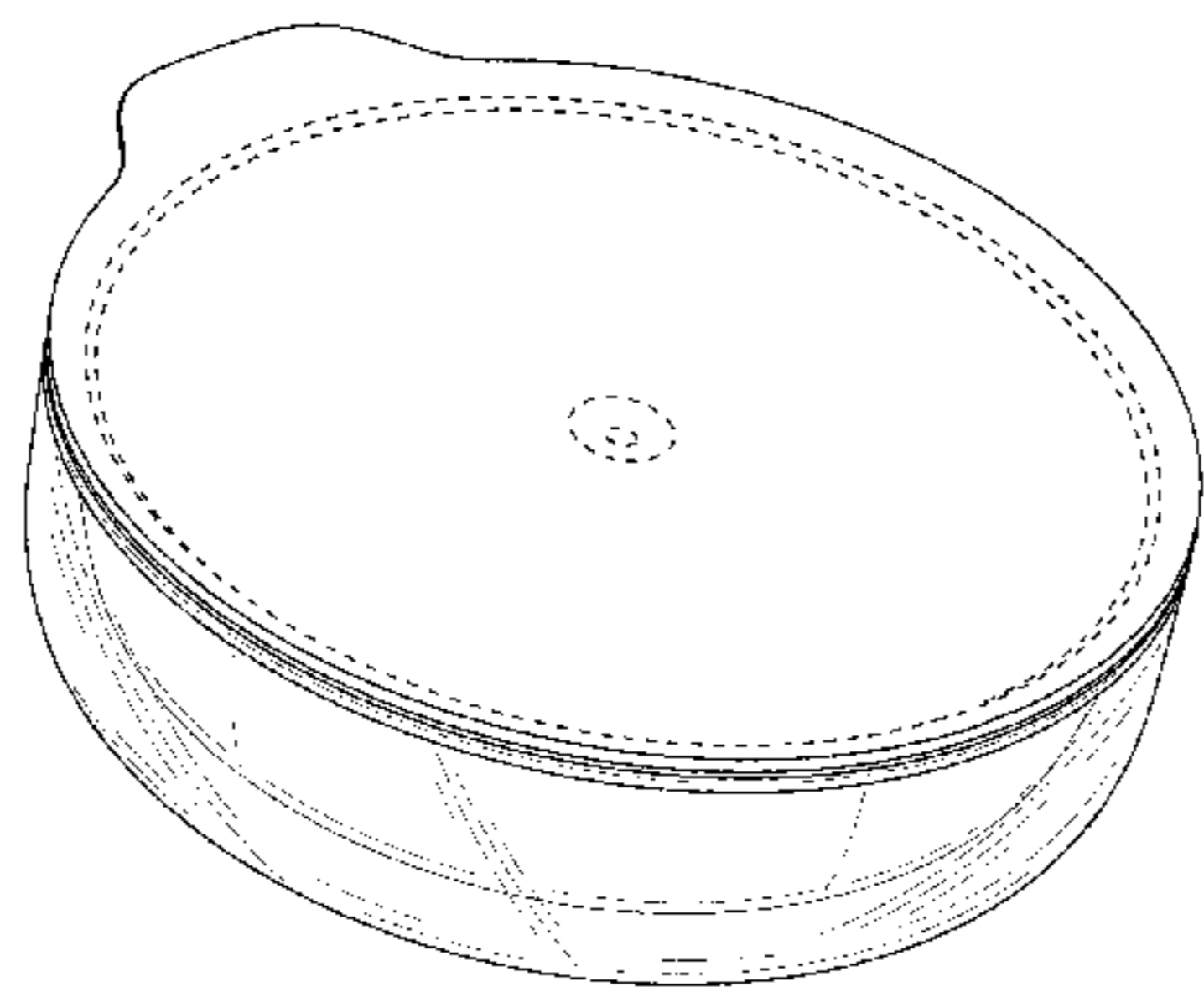
(57) **CLAIM**

The ornamental design for a bowl, as shown and described.

DESCRIPTION

FIG. 1 is a top perspective view of the bowl showing my new design.
FIG. 2 is a front elevational view thereof.
FIG. 3 is right side elevational view thereof.
FIG. 4 is a top plan view thereof.
FIG. 5 is a bottom plan view thereof.
FIG. 6 is an exploded top perspective view thereof; and,
FIG. 7 is an exploded left side view thereof.
The uppermost top surfaces of the lid portion of the bowl form no part of the claimed design. The long dash, short dash broken lines immediately adjacent to claimed subject matter in FIG. 6 depict a boundary of the bowl that form no part of the claimed design. The remaining dash, dash broken lines in the figures depict portions of the bowl and form no part of the claimed design. None of the broken lines shown in the figures form part of the claimed design.

1 Claim, 7 Drawing Sheets



(56)

References Cited

U.S. PATENT DOCUMENTS

D284,060 S * 6/1986 Adams D7/538
 D287,404 S * 12/1986 Johansson D24/121
 D338,373 S * 8/1993 Sun D30/131
 D391,118 S * 2/1998 Jørgensen D7/584
 D437,948 S * 2/2001 Poppick D26/9
 6,314,911 B1 * 11/2001 Kaytovich A01K 5/0114
 119/61.5
 D493,672 S * 8/2004 Jalet D7/586
 D519,785 S * 5/2006 Bodum D7/509
 D523,693 S * 6/2006 Bodum D7/509
 D541,176 S * 4/2007 Bried D9/504
 D550,034 S * 9/2007 Bodum D7/509
 D553,909 S * 10/2007 Bodum D7/500
 D584,571 S * 1/2009 Roth D7/629
 D597,791 S * 8/2009 Lion D7/509
 D597,792 S * 8/2009 Lion D7/509
 D597,796 S * 8/2009 Roth D7/629
 D606,404 S * 12/2009 Diss D9/428
 D651,467 S * 1/2012 Bodum D7/509
 D697,761 S * 1/2014 Uchida D7/558
 D732,345 S * 6/2015 Barbieri D7/509
 D737,691 S * 9/2015 Abbott D9/428
 D741,708 S * 10/2015 Thurin D7/629
 D742,176 S * 11/2015 Thun D7/509
 D743,208 S * 11/2015 Thun D7/509
 D744,283 S * 12/2015 Thun D7/509
 D744,284 S * 12/2015 Thun D7/509
 D750,938 S * 3/2016 Thun D7/523
 D787,888 S * 5/2017 Joseph D7/510
 D793,170 S * 8/2017 Karussi D7/538
 D794,393 S * 8/2017 Karussi D7/538
 D794,394 S * 8/2017 Karussi D7/538
 D804,727 S * 12/2017 Zolotnik D28/61
 D806,478 S * 1/2018 Struggl D7/523
 D820,027 S * 6/2018 Weernink D7/354
 2004/0231607 A1 * 11/2004 Hollinger A01K 5/0114
 119/61.54

2015/0001228 A1 * 1/2015 Rapp A47G 19/02
 220/574
 2015/0305533 A1 * 10/2015 Yao A47G 21/04
 220/574.1
 2016/0176614 A1 * 6/2016 Mittal A47J 36/027
 219/725
 2016/0262345 A1 * 9/2016 Gitter A01K 5/0114
 2017/0238737 A1 * 8/2017 Chan A47J 19/04

OTHER PUBLICATIONS

Double Layer Plate, [online], publication date unknown, retrieved on May 4, 2018. Retrieved from, <URL: <http://www.silodesign.com/SiloStore/en/original-double-layer-bowls/196-double-layer-plate-70133759.html>>, 1 page.*
 Zwilling JA Henckels 9.4 oz. Sorrento Double-Wall Dessert Bowl & Reviews, [online], product reviewed on Dec. 27, 2015, retrieved on May 7, 2018. Retrieved from, <URL: <https://www.wayfair.com/kitchen-tabletop/pdp/zwilling-ja-henckels-94-oz-sorrento-double-wall-...>>, 1 page.*
 1 Pcs Double Layer Transparent Glass Bowl, [online], product reviewed on Mar. 6, 2018, retrieved on May 7, 2018. Retrieved from, <URL: <https://www.aliexpress.com/item/1-Pcs-Double-Layer-Transparent-Glass-Bowl-Ice-Cream-Heatproof-Salad-Dinnerware/32837067524.html>>, 1 page.*
 Sorrento Bowl (Amazon), [online], Date first listed on Amazon Oct. 1, 2013, Retrieved on Aug. 28, 2018. Retrieved from, <URL: https://www.amazon.com/Zwilling-Henckels-39500-089-Sorrento-2-Piece/dp/B014RR5RSG/ref=pd_day0_hl_79_4?_encoding=UTF8&pd_rd_i=B014RR5RSG&pd_rd_r=ebddf72c-aacd-11e8-861c-cd06ea1...>, 1 page.*
 Sorrento Bowl (Wayback Machine), [online], Crawled on Sep. 5, 2015, Retrieved on Aug. 28, 2018. Retrieved from, <URL: <https://web.archive.org/web/20150905094450/https://www.zwillingonline.com/39500089.html>>, 1 page.*

* cited by examiner

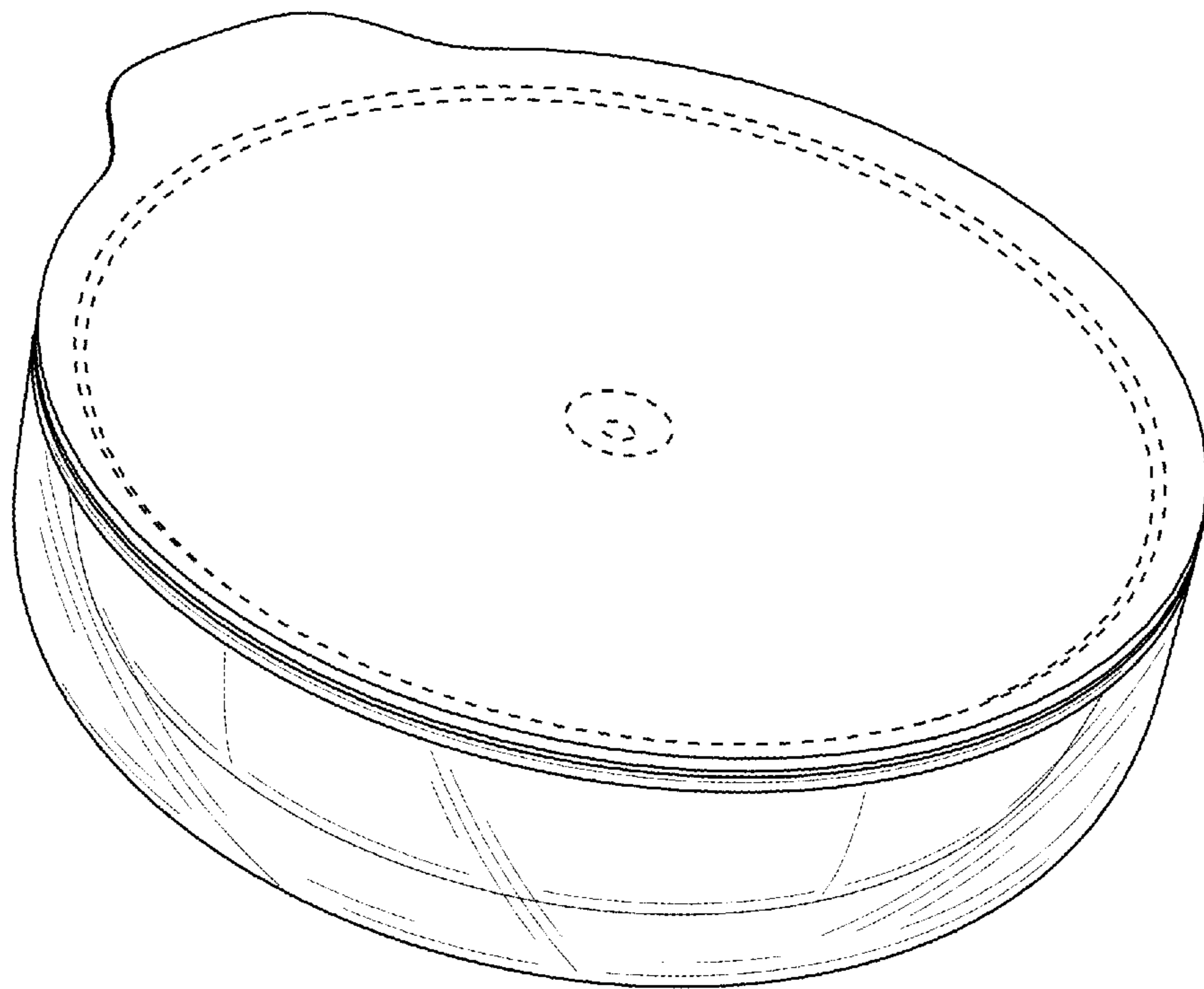


FIG. 1

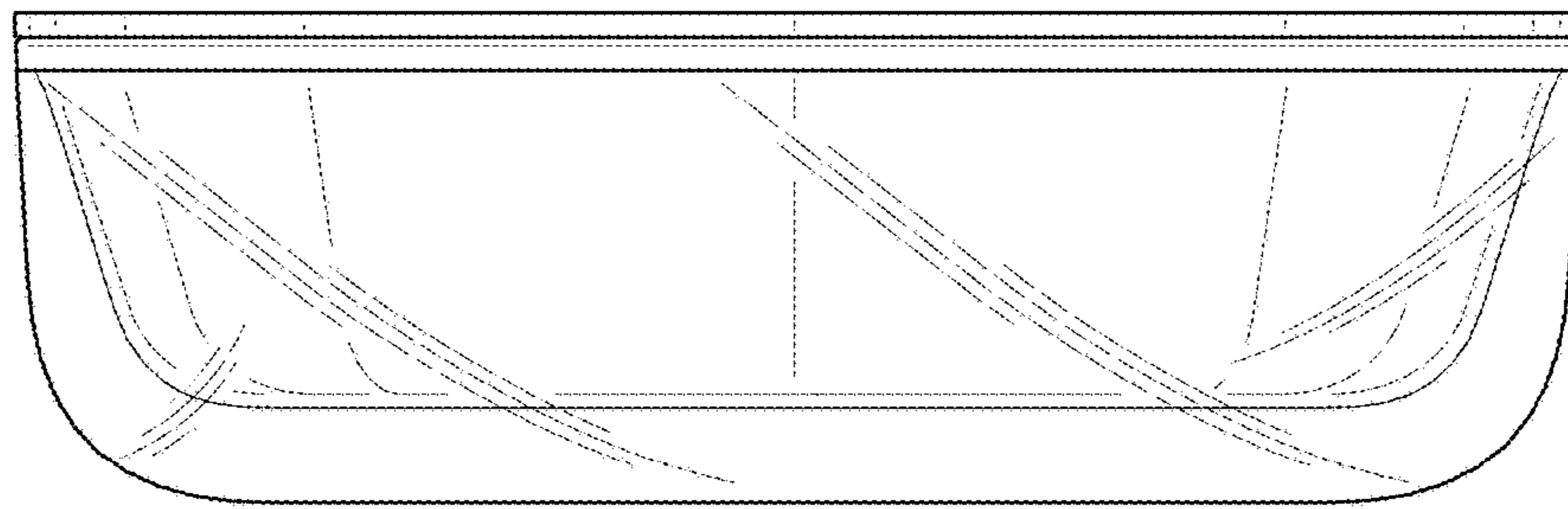


FIG. 2

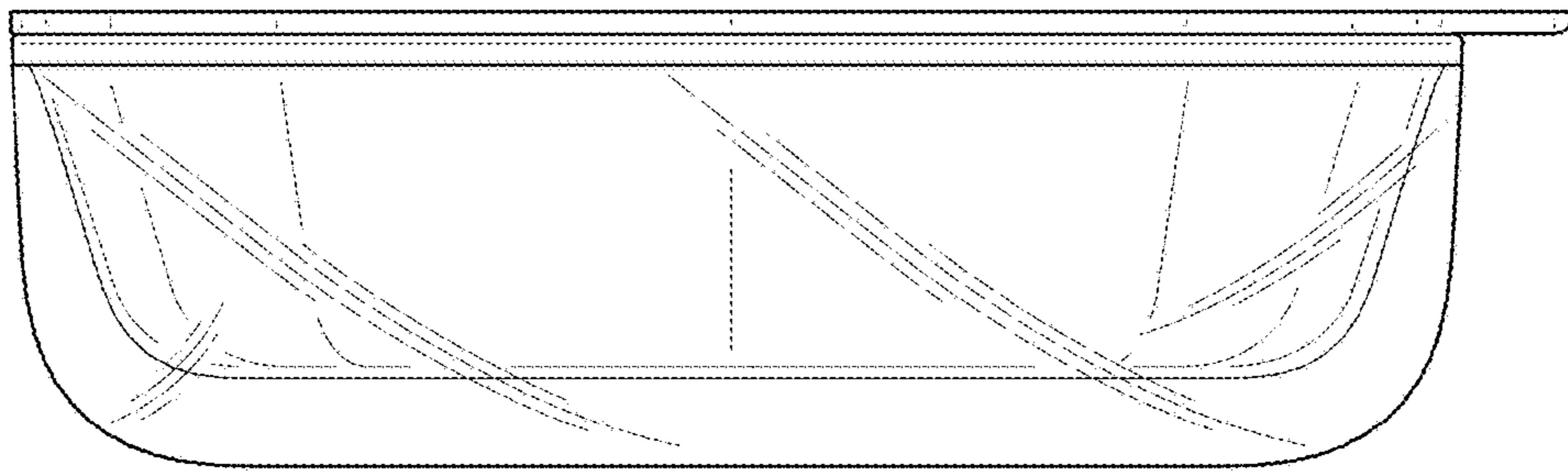


FIG. 3

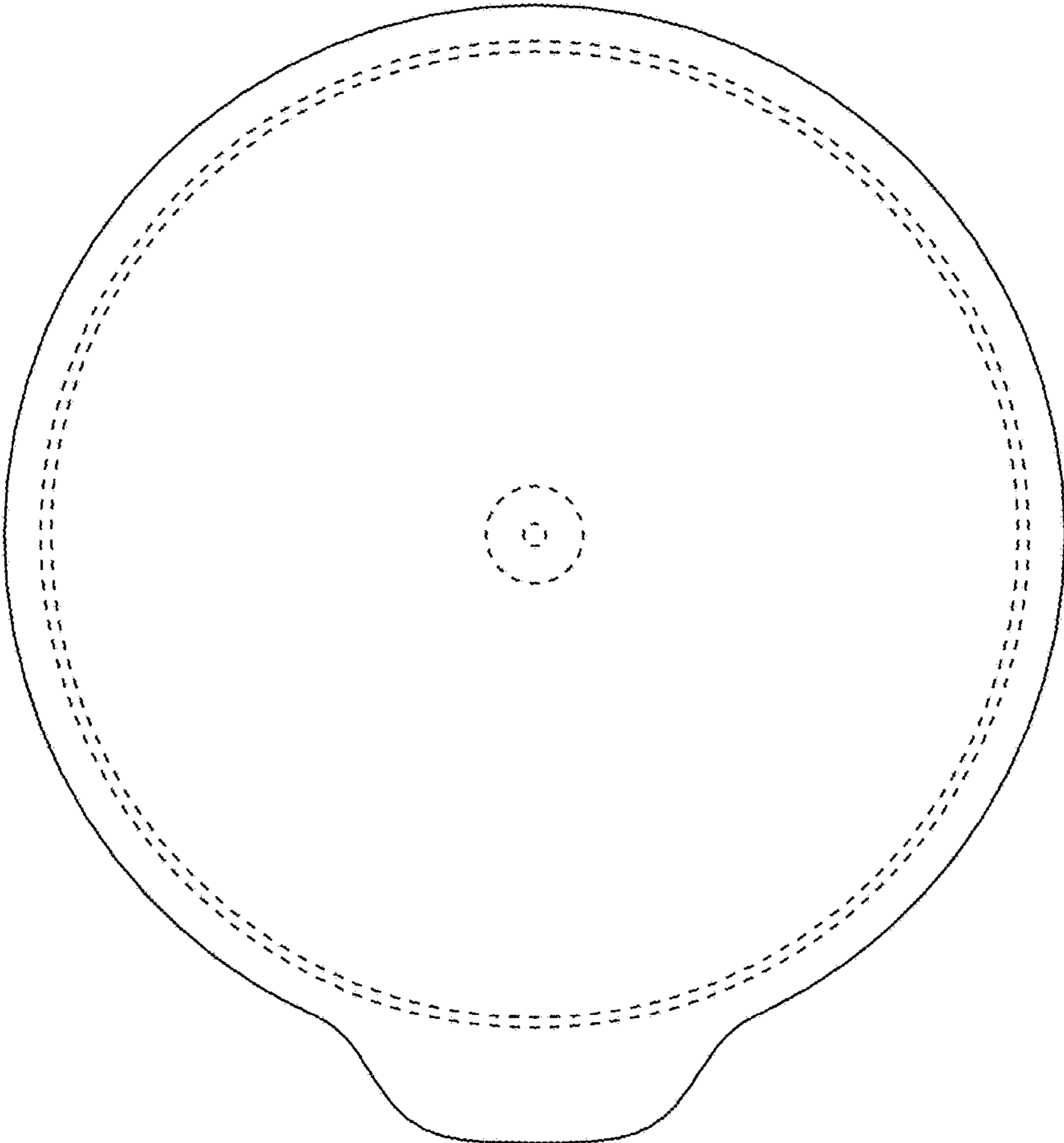


FIG. 4

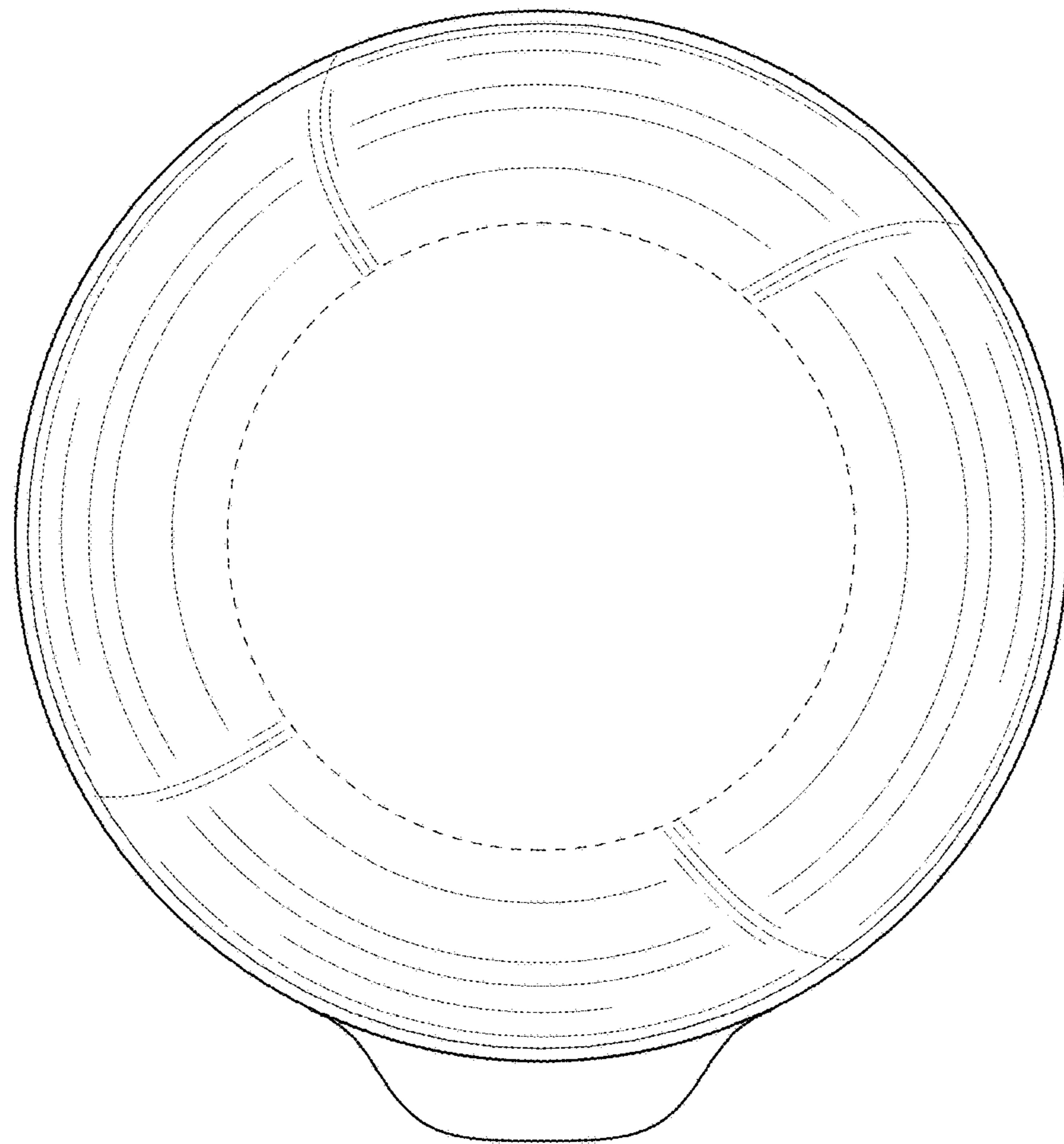


FIG. 5

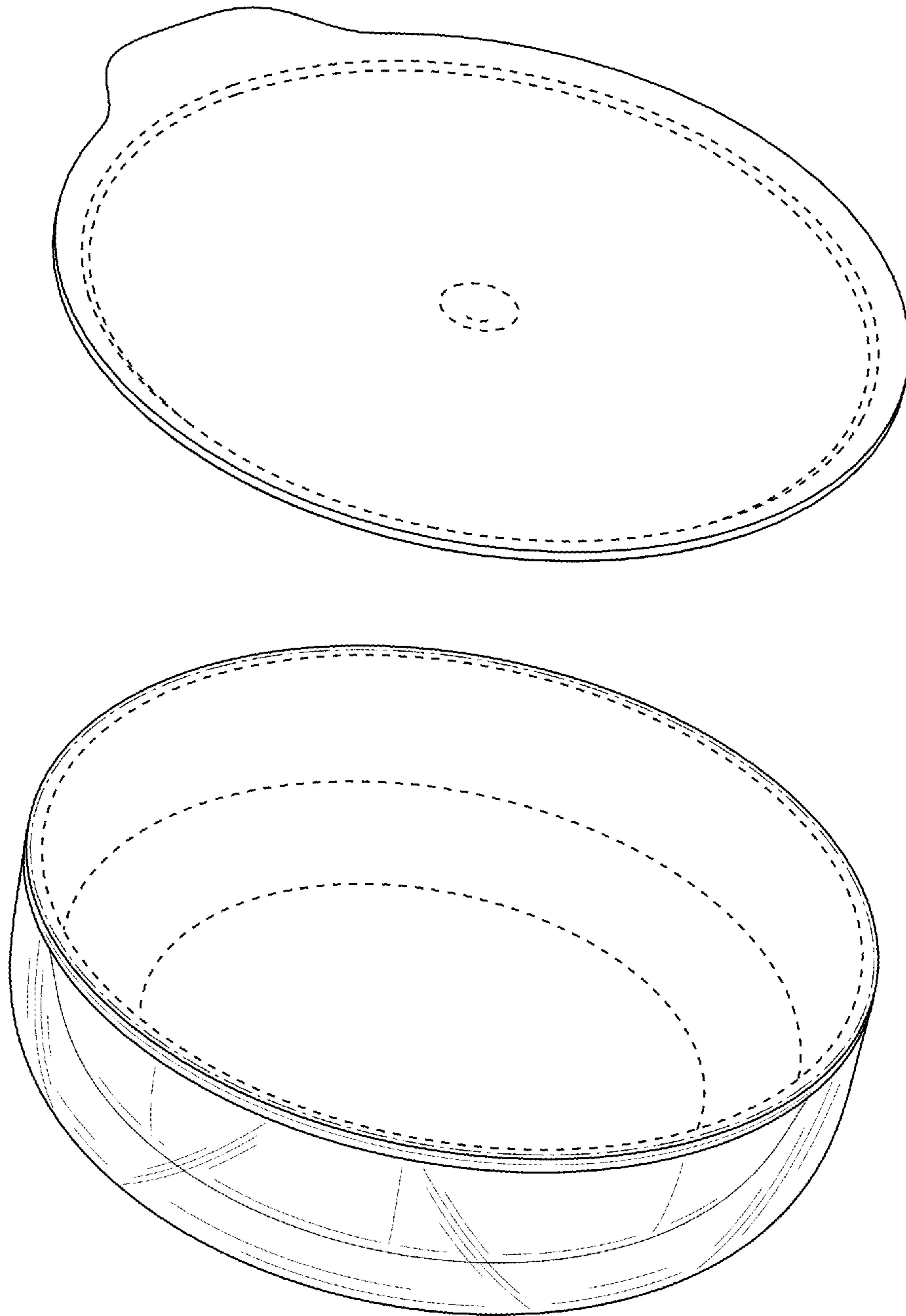


FIG. 6

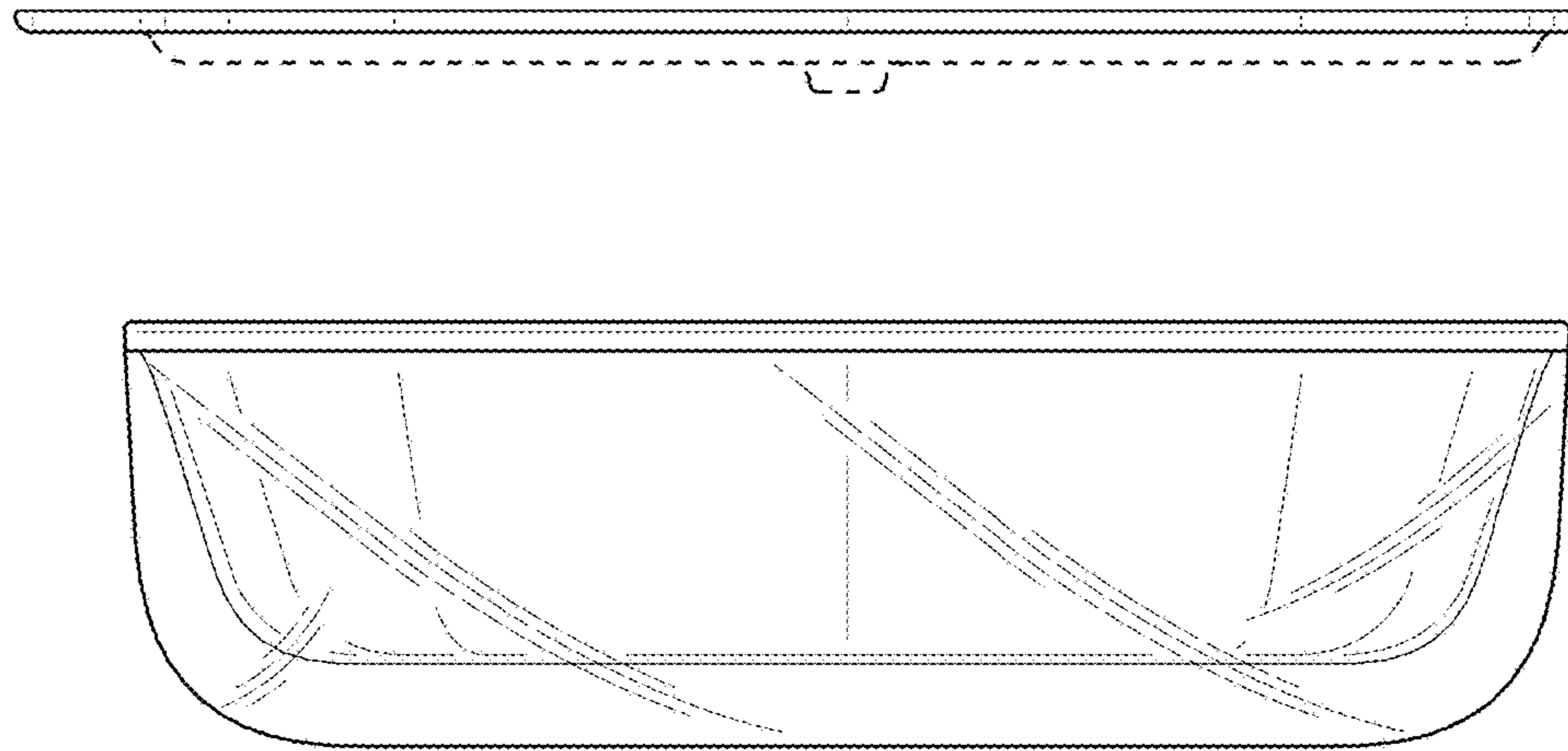


FIG. 7