



US00D848224S

(12) **United States Design Patent**
DeBoer

(10) **Patent No.:** **US D848,224 S**

(45) **Date of Patent:** **** May 14, 2019**

(54) **COMBINATION COASTER AND DISPLAY CASE**

(71) Applicant: **RLRD, LLC**, Chicago, IL (US)

(72) Inventor: **Ryan DeBoer**, Chicago, IL (US)

(73) Assignee: **RLRD, LLC**, Chicago, IL (US)

(**) Term: **15 Years**

(21) Appl. No.: **29/615,494**

(22) Filed: **Aug. 29, 2017**

(51) **LOC (11) Cl.** **07-06**

(52) **U.S. Cl.**
USPC **D7/624.1**

(58) **Field of Classification Search**
USPC D7/619.1-625, 701-708; D9/455, 444
CPC .. A47G 23/032; A47G 23/03; A47G 19/2283;
A47G 21/16; A47G 23/0216; A47G
23/0608; A47G 23/0225; A47G 23/06;
B65D 23/065; B65D 25/00; B65D 25/04;
A47K 1/08; B60N 3/103; A47B 13/16;
G09F 23/08

See application file for complete search history.

(56) **References Cited**

U.S. PATENT DOCUMENTS

4,836,488 A * 6/1989 Ross A47B 13/16
248/154
5,447,764 A * 9/1995 Langford A47G 23/0216
220/560

5,938,162 A * 8/1999 Honjo A47G 23/032
248/346.11
7,264,134 B2 * 9/2007 Tulp A47G 23/0216
220/739
8,613,417 B2 * 12/2013 Kraus, Jr. A47G 23/03
248/346.11
9,254,053 B2 * 2/2016 Arzumanyan G09F 23/08

* cited by examiner

Primary Examiner — Terry A Wallace

(74) *Attorney, Agent, or Firm* — Richards Patent Law P.C.

(57) **CLAIM**

The ornamental design for a combination coaster and display case, as shown and described.

DESCRIPTION

FIG. 1 is an isometric view of a combination coaster and display case showing my new design.

FIG. 2 is a front view thereof, the rear view being identical.

FIG. 3 is a right side view thereof, the left side view being identical.

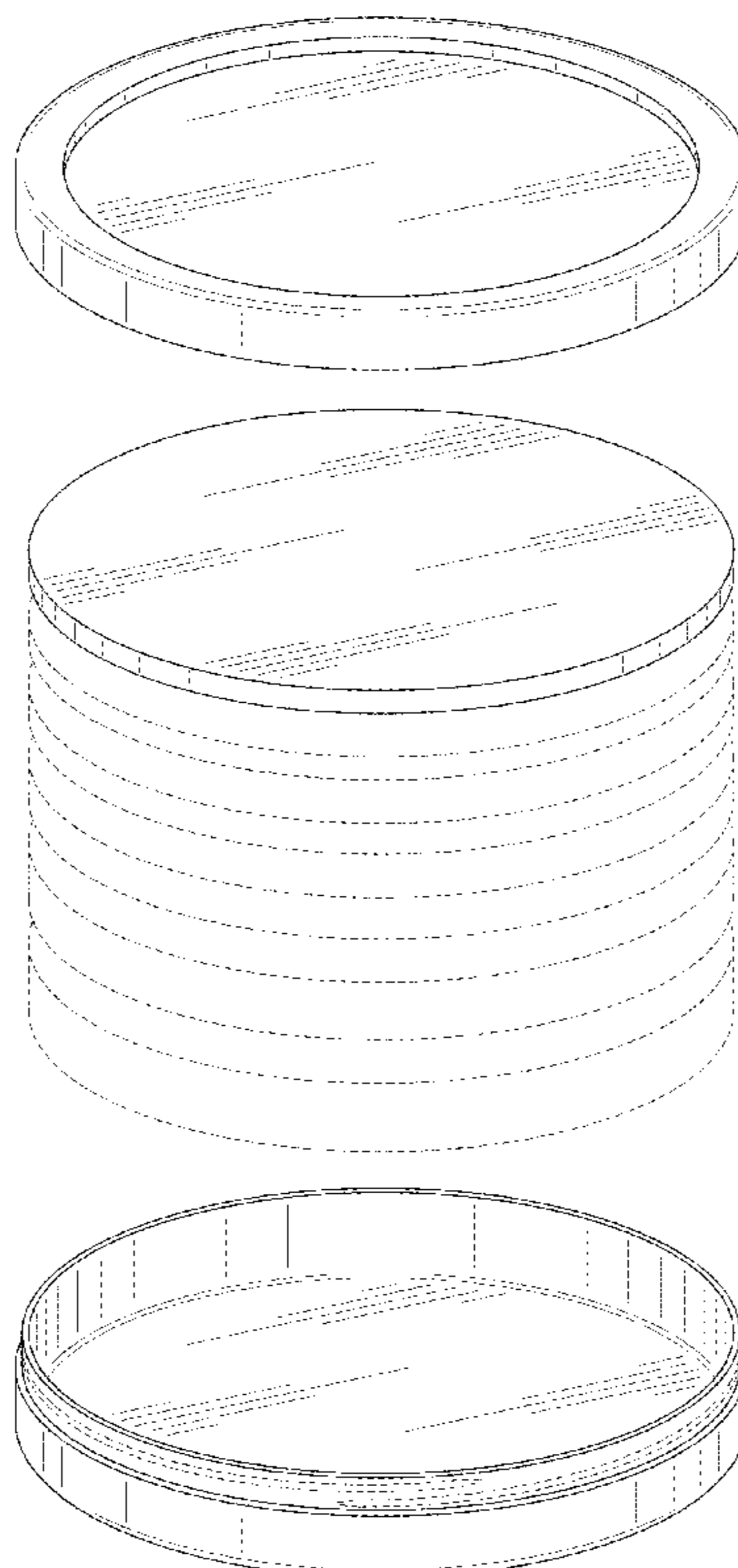
FIG. 4 is a top plan view thereof.

FIG. 5 is a bottom plan view thereof; and,

FIG. 6 is an exploded top perspective view thereof.

Those portions of the figures that are presented in broken lines merely illustrate the environment of the design and are not part of the claimed design.

1 Claim, 3 Drawing Sheets



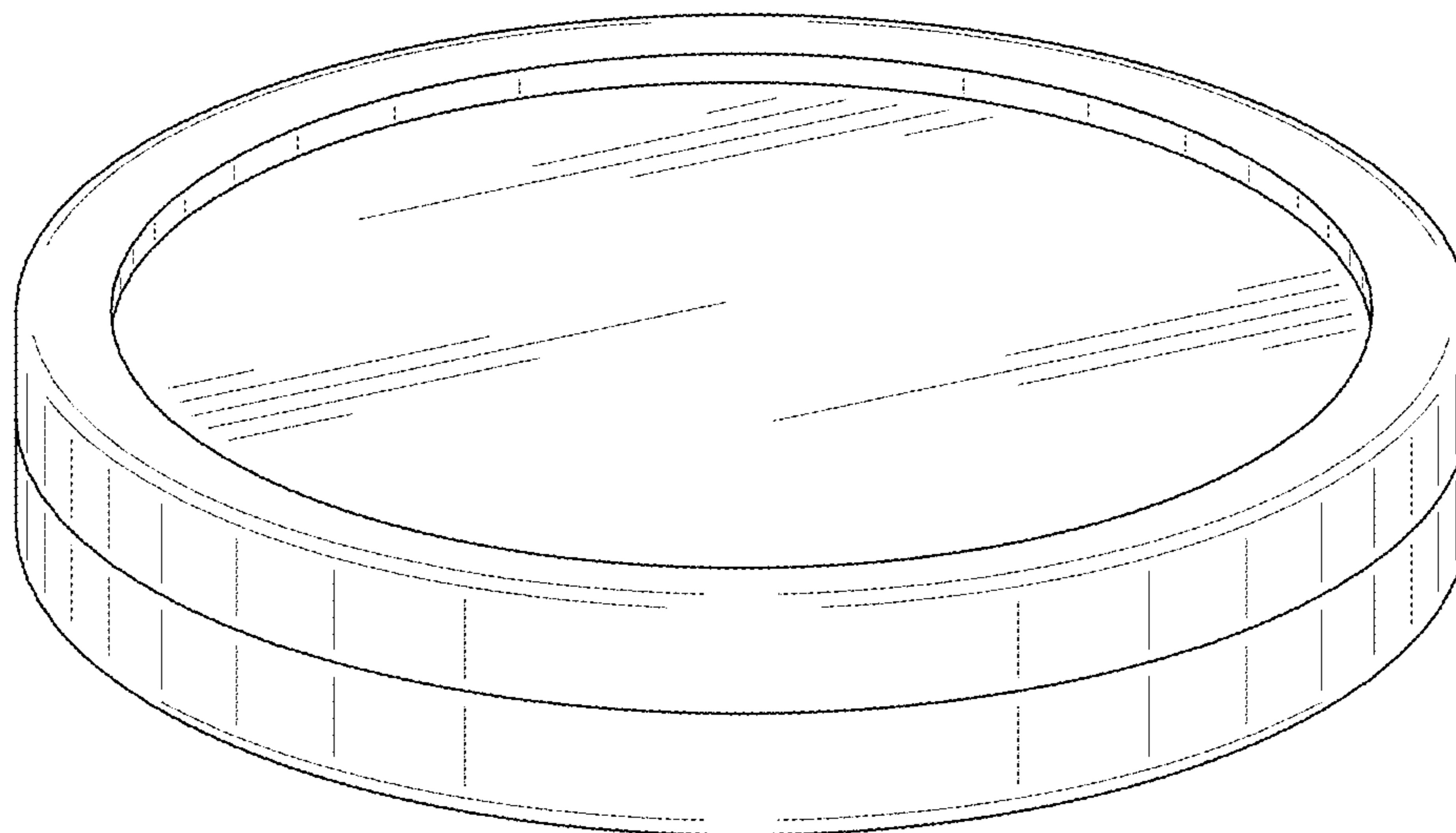


FIG. 1

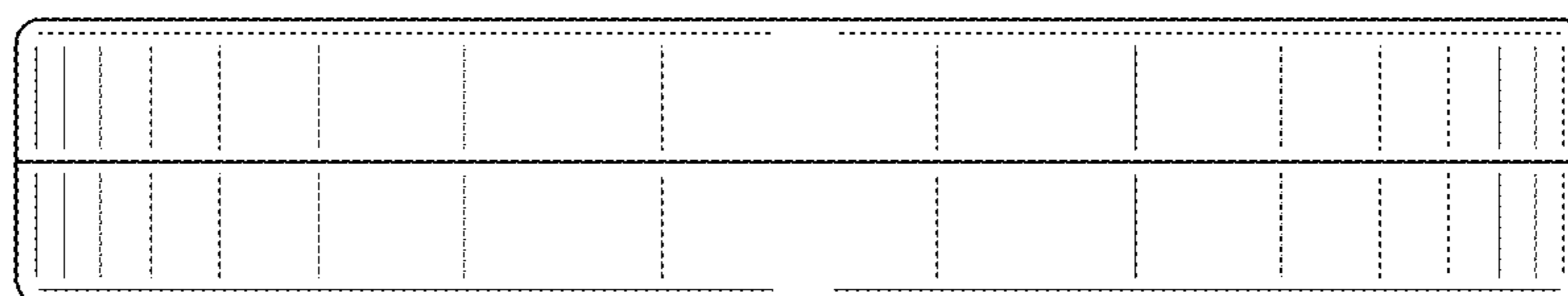


FIG. 2

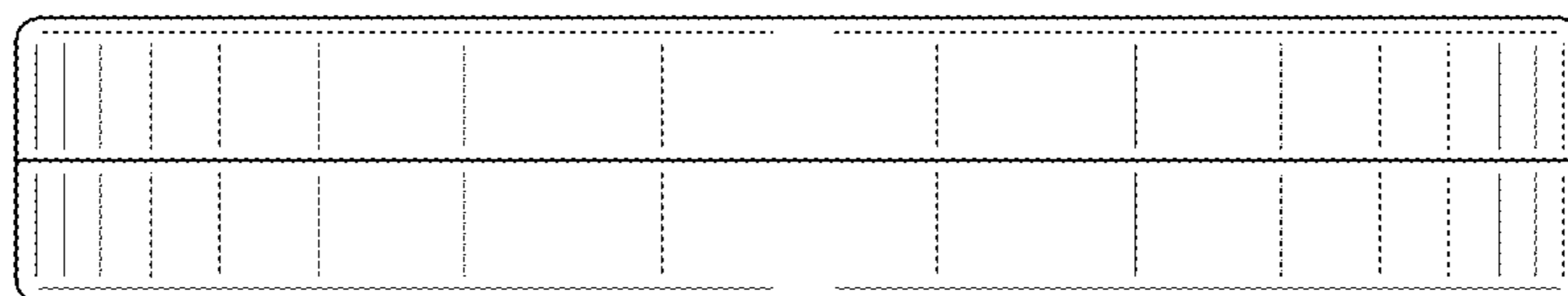


FIG. 3

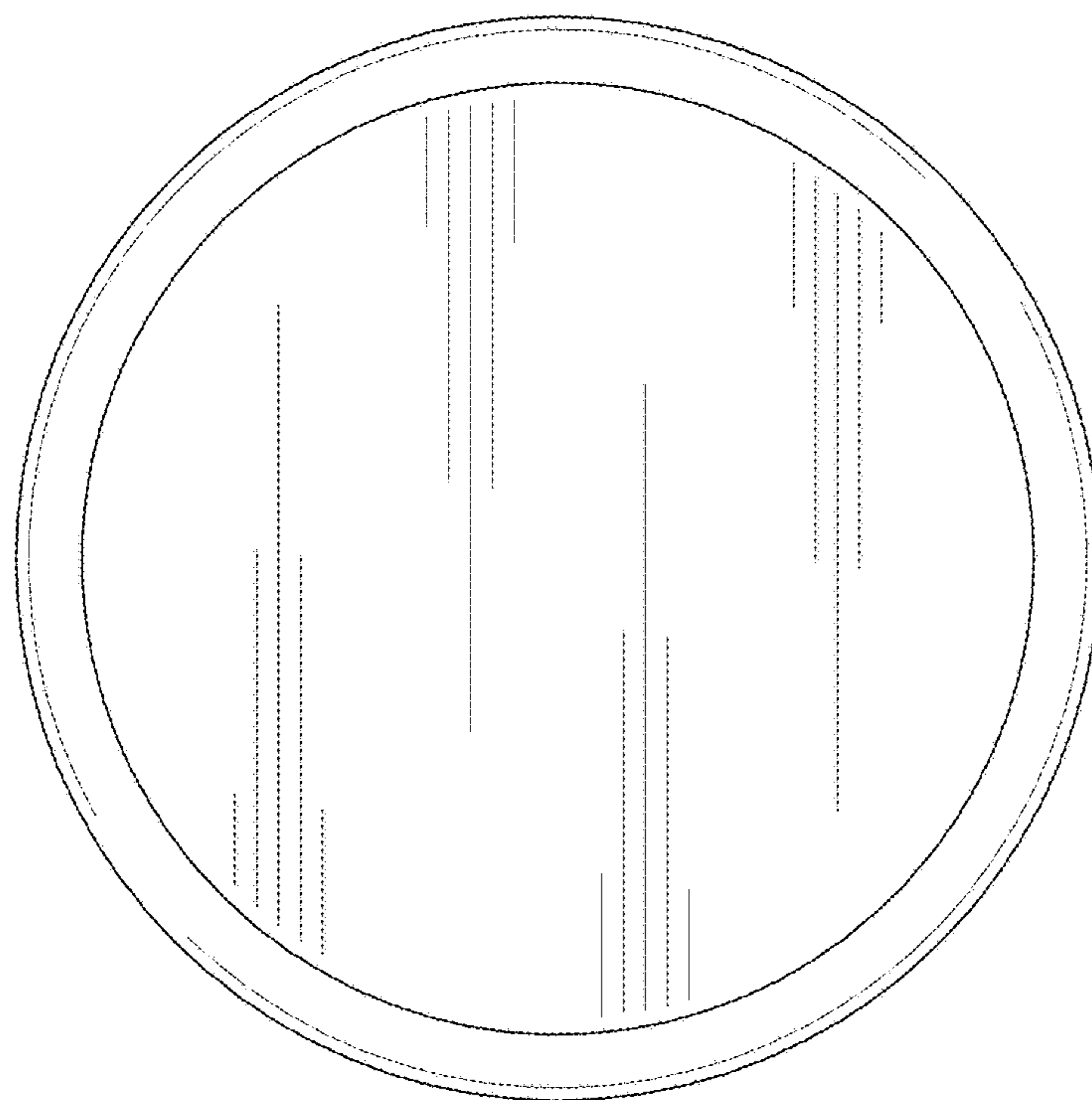


FIG. 4

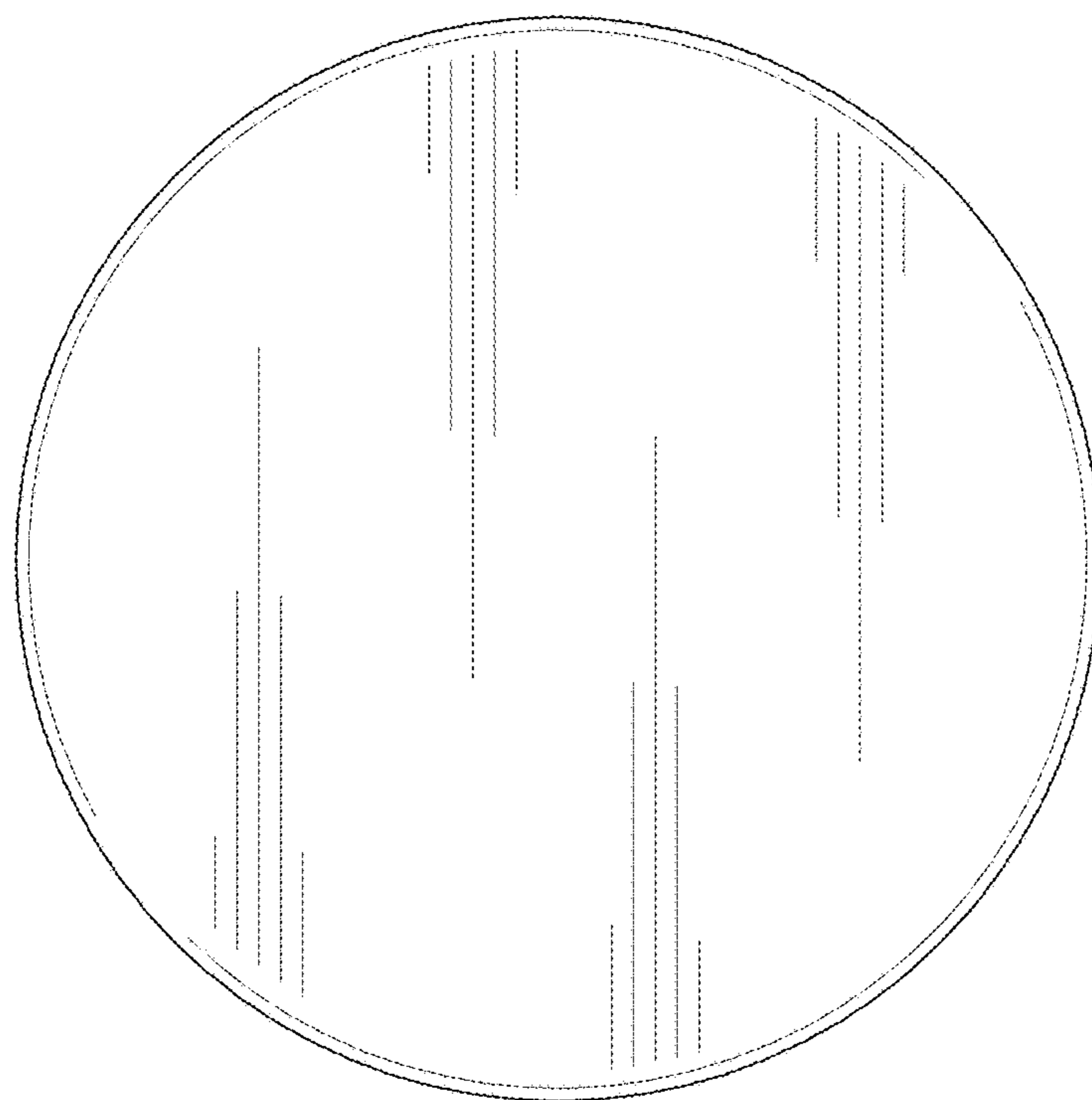


FIG. 5

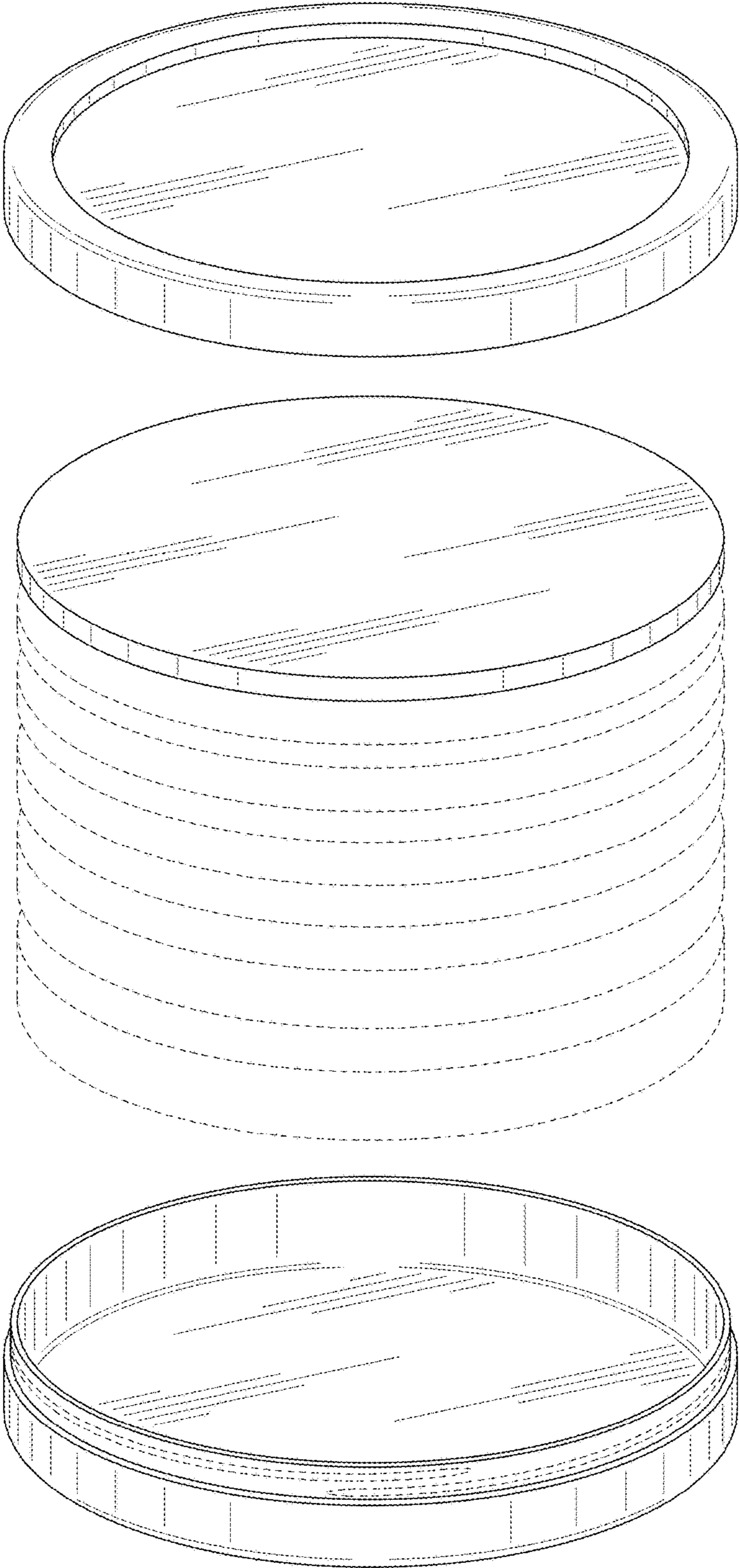


FIG. 6