



US00D848218S

(12) **United States Design Patent** (10) **Patent No.:** **US D848,218 S**  
**Reaux** (45) **Date of Patent:** **\*\* May 14, 2019**

- (54) **STACKABLE POPCORN LID HAVING DETENTS, AND BOWL COMBINATION**
- (71) Applicant: **Brian K. Reaux**, Red Oak, TX (US)
- (72) Inventor: **Brian K. Reaux**, Red Oak, TX (US)
- (73) Assignee: **Brian K. Reaux**, Red Oak, TX (US)
- (\*\*) Term: **15 Years**
- (21) Appl. No.: **29/620,679**
- (22) Filed: **Apr. 20, 2017**
- (51) **LOC (11) Cl.** ..... **07-01**
- (52) **U.S. Cl.**  
USPC ..... **D7/584**
- (58) **Field of Classification Search**  
USPC ..... D7/570, 566, 588, 584, 565, 560, 587,  
D7/325; D9/428  
CPC ..... A47G 19/2205; A47G 2019/122; A47G  
19/03  
See application file for complete search history.

D521,796 S *	5/2006	Bertulis	.....	D7/325
D523,333 S *	6/2006	Moretti	.....	D9/444
D577,288 S *	9/2008	Wilson	.....	D9/428
D607,275 S *	1/2010	Griffith	.....	D7/505
7,748,536 B2 *	7/2010	Cassese	.....	A47G 19/06 206/542
D626,790 S *	11/2010	Gibson	.....	D7/325
D680,362 S *	4/2013	Cursio	.....	D7/325
D703,043 S *	4/2014	Kovitz	.....	D9/435
D737,677 S *	9/2015	Yunker	.....	D9/428
D738,579 S *	9/2015	Owens	.....	D30/132
D739,615 S *	9/2015	Robertson	.....	D30/129
D746,110 S *	12/2015	Randazzo	.....	D7/584
D760,030 S *	6/2016	Wilson	.....	D30/129
D802,980 S *	11/2017	Bond	.....	D7/325
D806,481 S *	1/2018	Hinze	.....	D7/558
2011/0274804 A1 *	11/2011	Barrows	.....	A47J 27/004 426/449

\* cited by examiner

*Primary Examiner* — Cynthia R Underwood

(57) **CLAIM**

The ornamental design for a stackable popcorn lid having detents, and bowl combination, as shown and described.

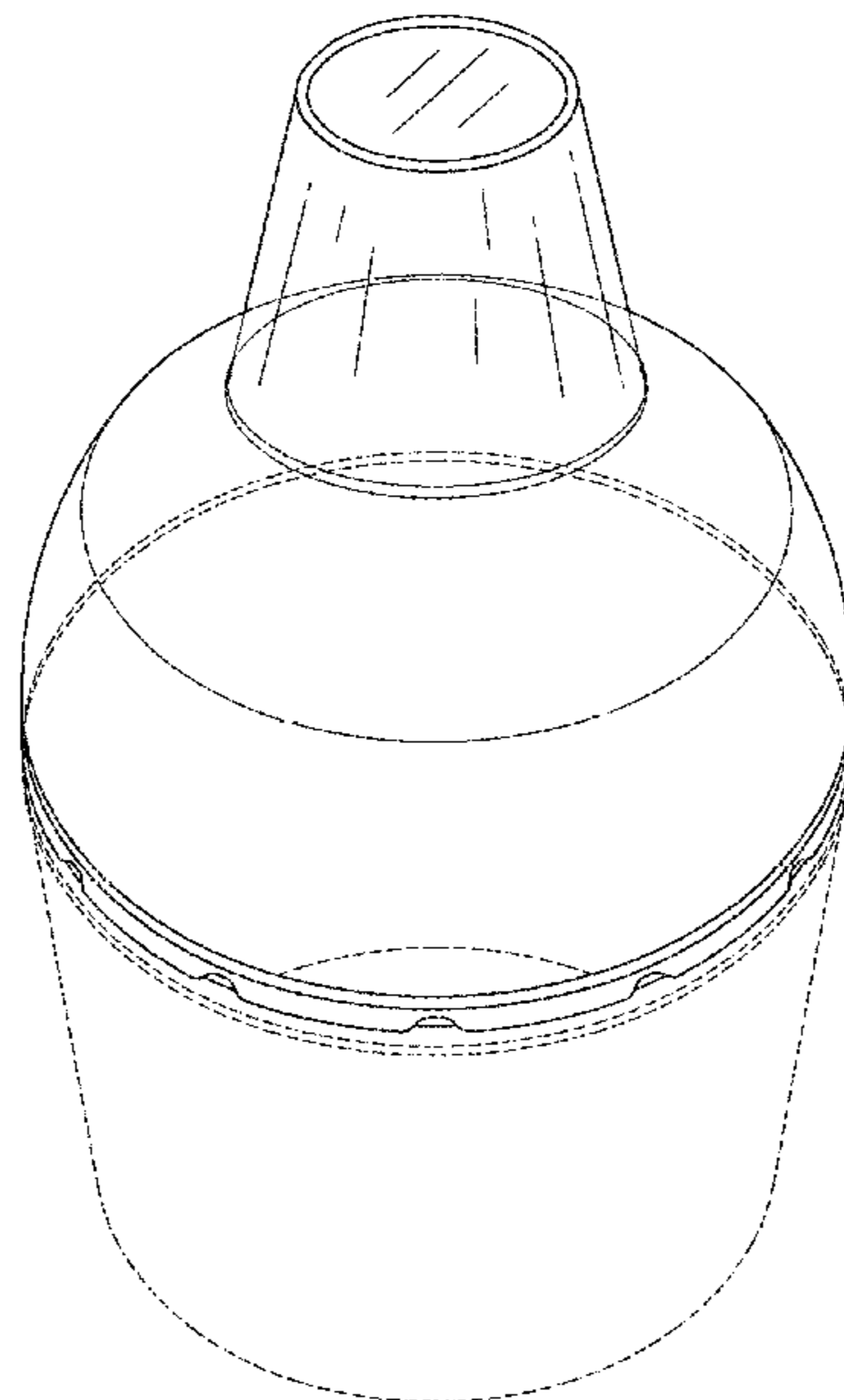
**DESCRIPTION**

FIG. 1 is a front perspective view of the stackable popcorn lid having detents, and bowl combination.  
 FIG. 2 is a top view thereof;  
 FIG. 3 is a bottom view thereof;  
 FIG. 4 is a right side view in a first position of use, the left being a mirror image thereof; and,  
 FIG. 5 is a right side view in a second position of use, the left being a mirror image thereof.  
 The broken lines showing the popcorn bucket are included for environmental purposes only and form no part of the claim.

**1 Claim, 5 Drawing Sheets**

(56) **References Cited**  
U.S. PATENT DOCUMENTS

D280,062 S *	8/1985	Cesaroni	.....	D7/325
D281,137 S *	10/1985	Cesaroni	.....	D7/325
4,928,842 A *	5/1990	Swenson	.....	A47G 19/02 220/660
5,082,140 A *	1/1992	Swenson	.....	A47G 19/02 220/574
D360,112 S *	7/1995	McEntee	.....	D7/545
6,397,782 B1 *	6/2002	Cope	.....	A01K 31/06 119/416
D472,098 S *	3/2003	Jeong	.....	D7/354
D488,741 S *	4/2004	Moya	.....	D11/143
D517,178 S *	3/2006	Bickford	.....	D23/293.1
D521,129 S *	5/2006	Bickford	.....	D23/293.1



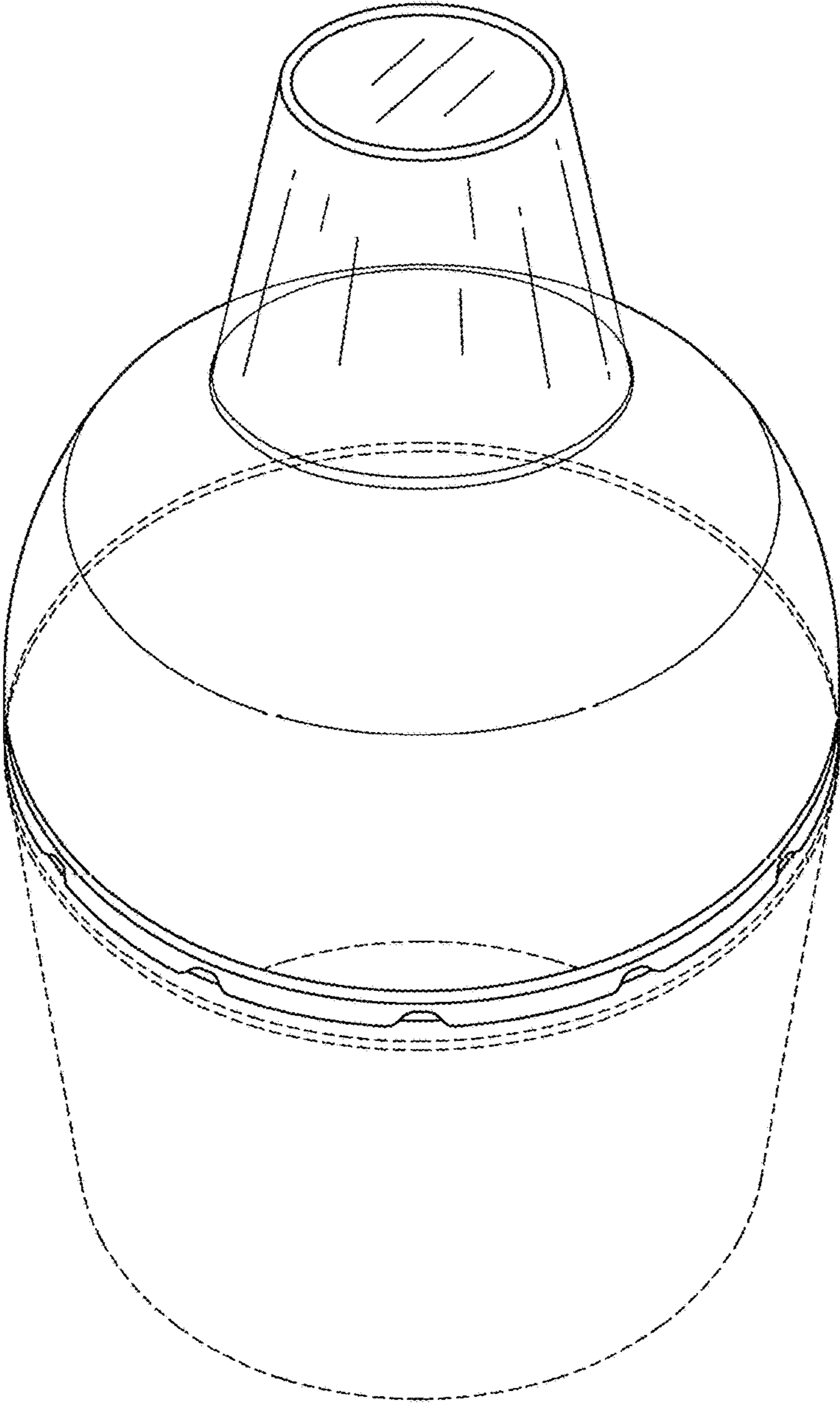


FIG. 1

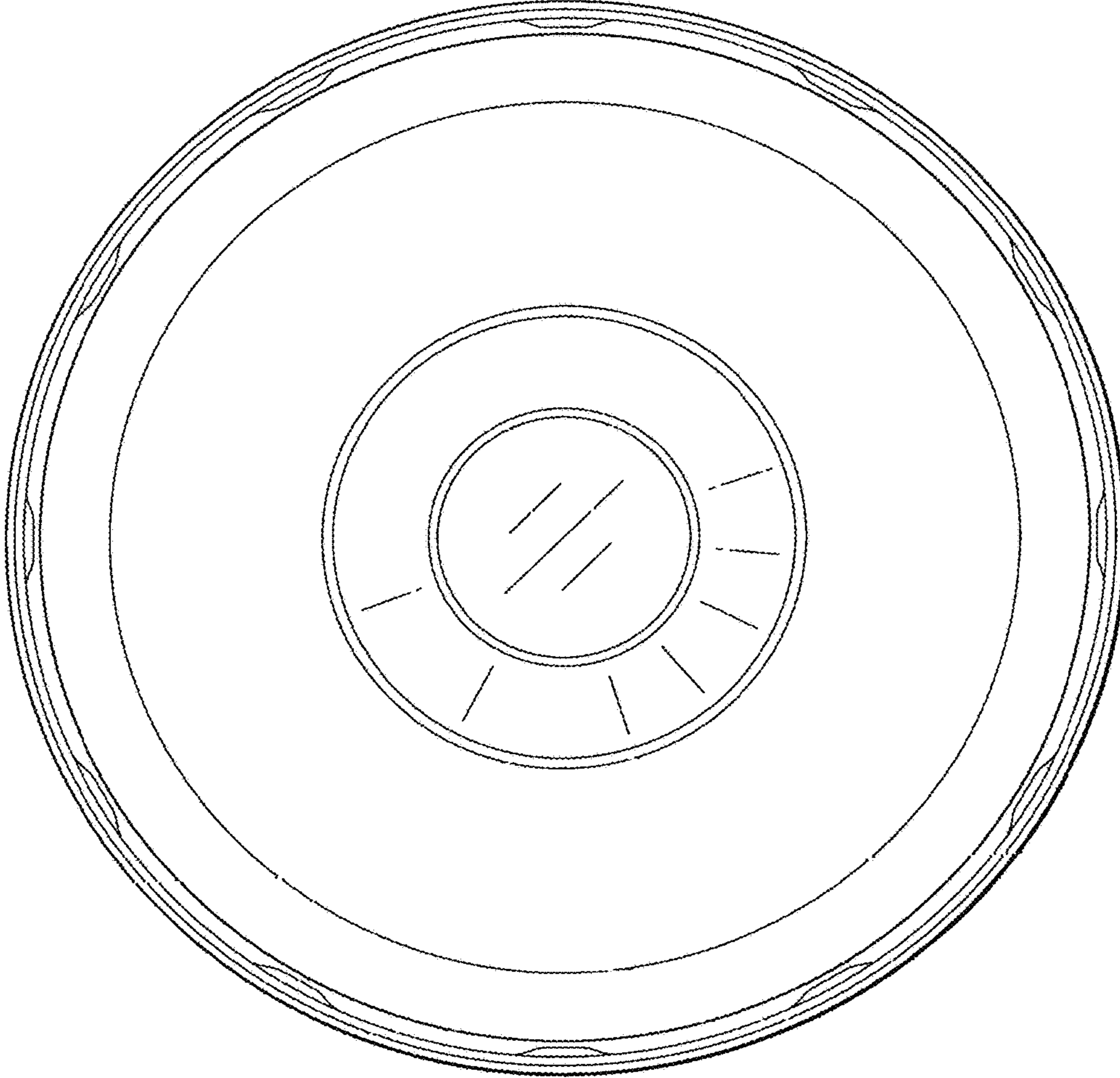


FIG. 2

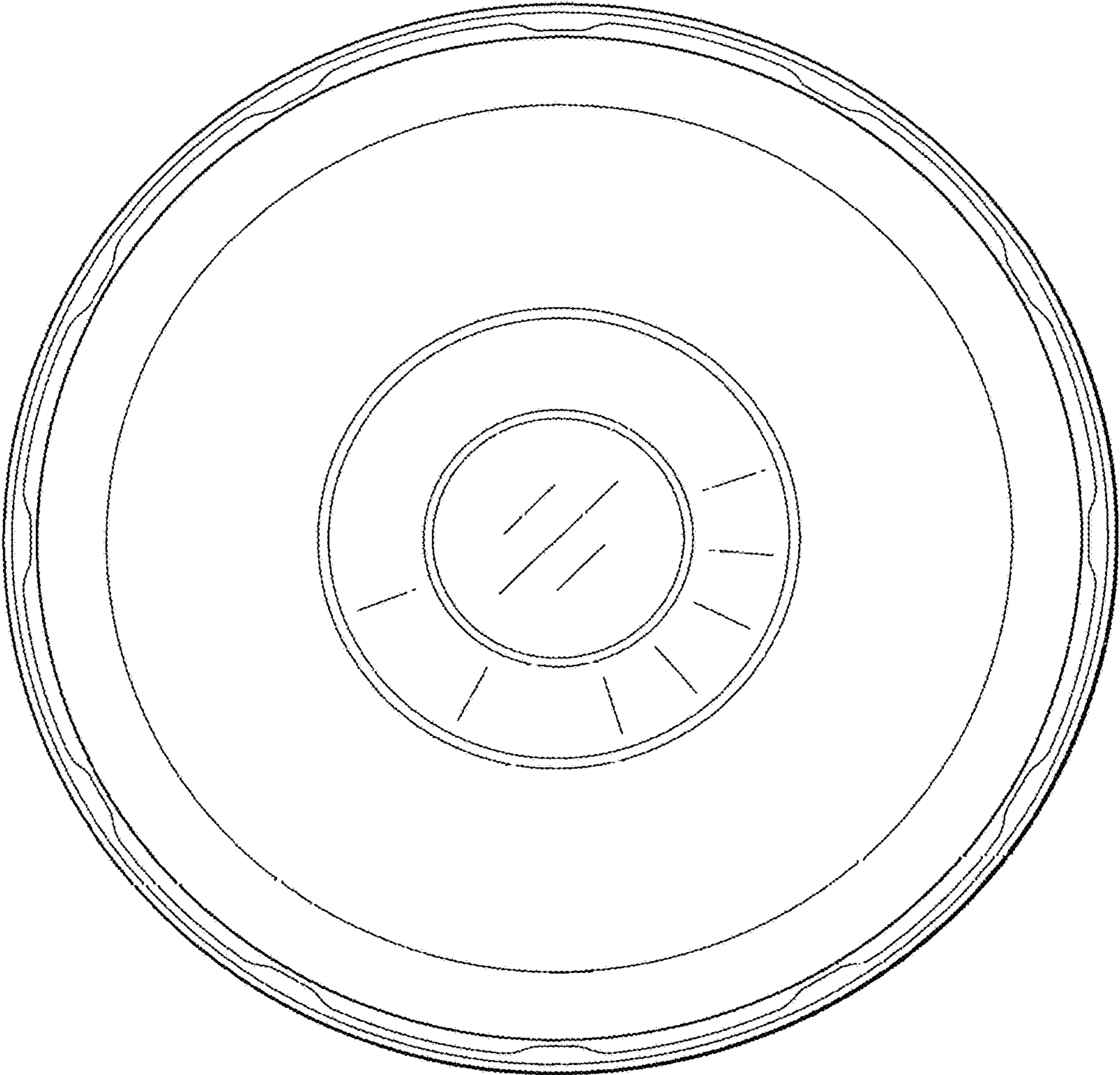


FIG. 3

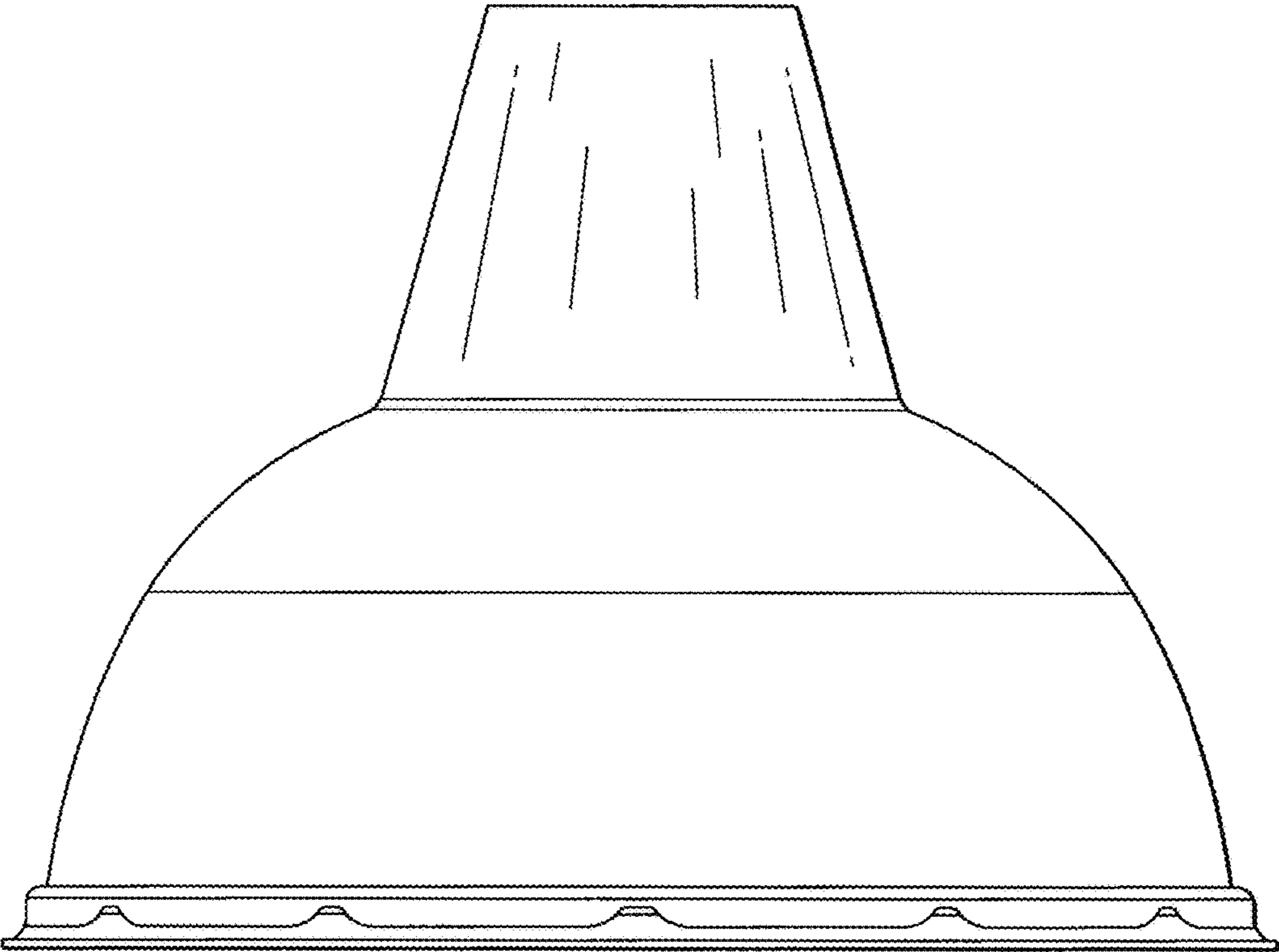


FIG. 4

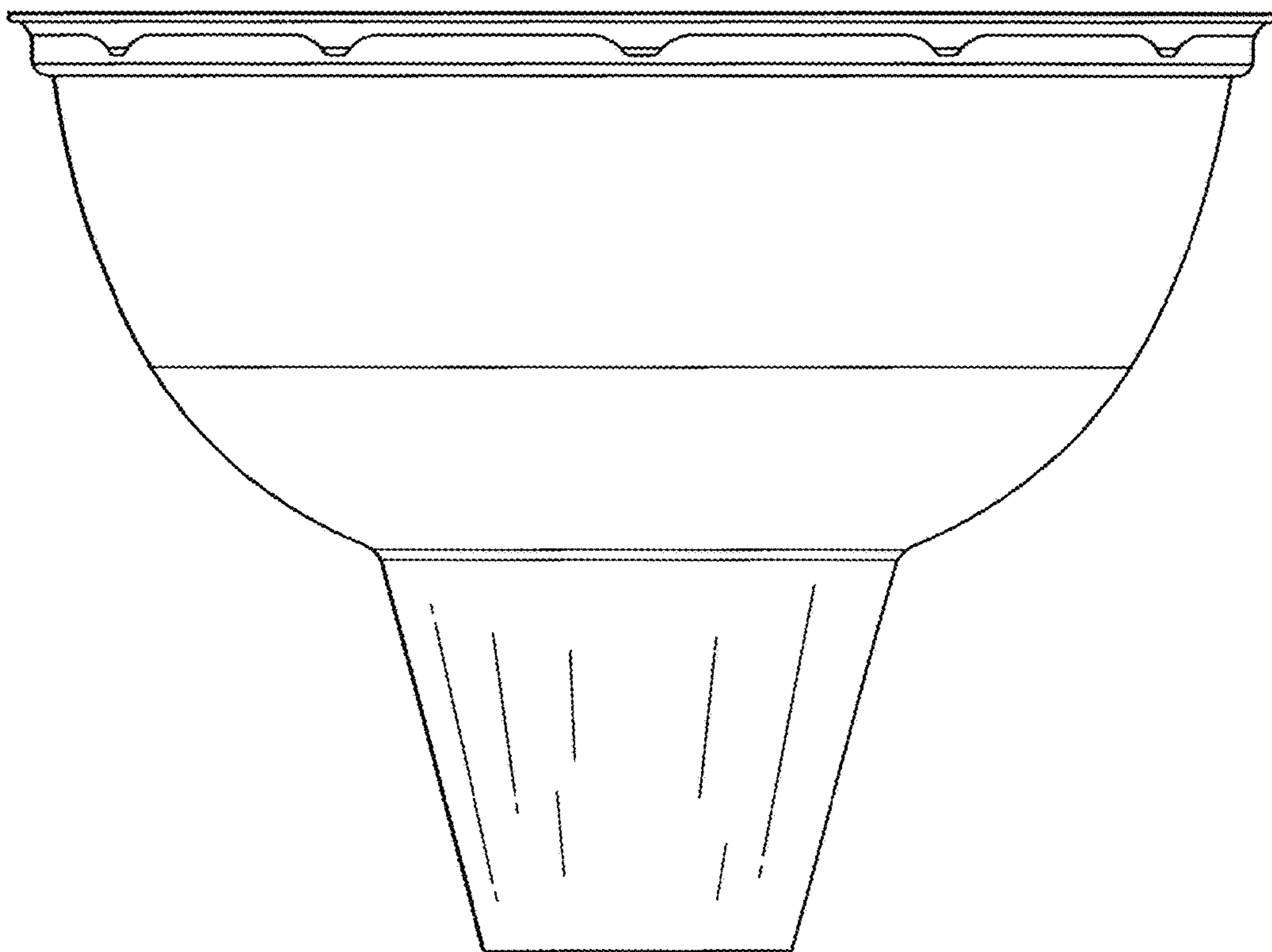


FIG. 5