



US00D848216S

(12) **United States Design Patent**  
**Gaines**

(10) **Patent No.:** **US D848,216 S**

(45) **Date of Patent:** **\*\* May 14, 2019**

(54) **CANTEEN MEASURING TAPE HOLDER WITH NOZZLE AND CAP**

**DESCRIPTION**

- (71) Applicant: **Magnolia IP Holdings, LLC**,  
Woodway, TX (US)
- (72) Inventor: **Chip Gaines**, Woodway, TX (US)
- (73) Assignee: **MAGNOLIA IP HOLDINGS, LLC**,  
Woodway, TX (US)
- (\*\*) Term: **15 Years**
- (21) Appl. No.: **29/598,164**
- (22) Filed: **Mar. 23, 2017**
- (51) **LOC (11) Cl.** ..... **07-01**
- (52) **U.S. Cl.**  
USPC ..... **D7/515**; D10/72; D7/305
- (58) **Field of Classification Search**  
USPC ..... D3/202; D7/301, 302, 305, 514, 525,  
D7/571, 619.2, 628, 639; D9/529, 600,  
(Continued)

FIG. 1 is a front perspective view of my new canteen measuring tape holder with nozzle and cap with an elevated and exploded cap view;  
 FIG. 2 is a front elevation view of my new canteen measuring tape holder with nozzle and cap with an elevated and exploded cap view;  
 FIG. 3 is a rear elevation view of my new canteen measuring tape holder with nozzle and cap with an elevated and exploded cap view;  
 FIG. 4 is a right side view of my new canteen measuring tape holder with nozzle and cap with an elevated and exploded cap view;  
 FIG. 5 is a left side view of my new canteen measuring tape holder with nozzle and cap with an elevated and exploded cap view;  
 FIG. 6 is a top view of my new canteen measuring tape holder with nozzle and cap with an elevated and exploded cap view;  
 FIG. 7 is a bottom view of my new canteen measuring tape holder with nozzle and cap with an elevated and exploded cap view;  
 FIG. 8 is a front perspective view of my new canteen measuring tape holder with nozzle and cap with an attached cap view;  
 FIG. 9 is a front elevation view of my new canteen measuring tape holder with nozzle and cap with an attached cap view;  
 FIG. 10 is a rear elevation view of my new canteen measuring tape holder with nozzle and cap with an attached cap view;  
 FIG. 11 is a right side view of my new canteen measuring tape holder with nozzle and cap with an attached cap view;  
 FIG. 12 is a left side view of my new canteen measuring tape holder with nozzle and cap with an attached cap view;  
 FIG. 13 is a top view of my new canteen measuring tape holder with nozzle and cap with an attached cap view; and,  
 FIG. 14 is a bottom view of my new canteen measuring tape holder with nozzle and cap with an attached cap view.  
 The broken lines depict portions of the canteen measuring tape holder with nozzle and cap that form no part of the claimed design.

(56) **References Cited**

**U.S. PATENT DOCUMENTS**

D26,510 S 1/1897 Wilcox  
 D47,355 S 5/1915 Coane  
 (Continued)

**OTHER PUBLICATIONS**

<http://www.dailymotion.com/video/x45f19yAir> Date Jan. 26, 2016 (Year: 2016).\*

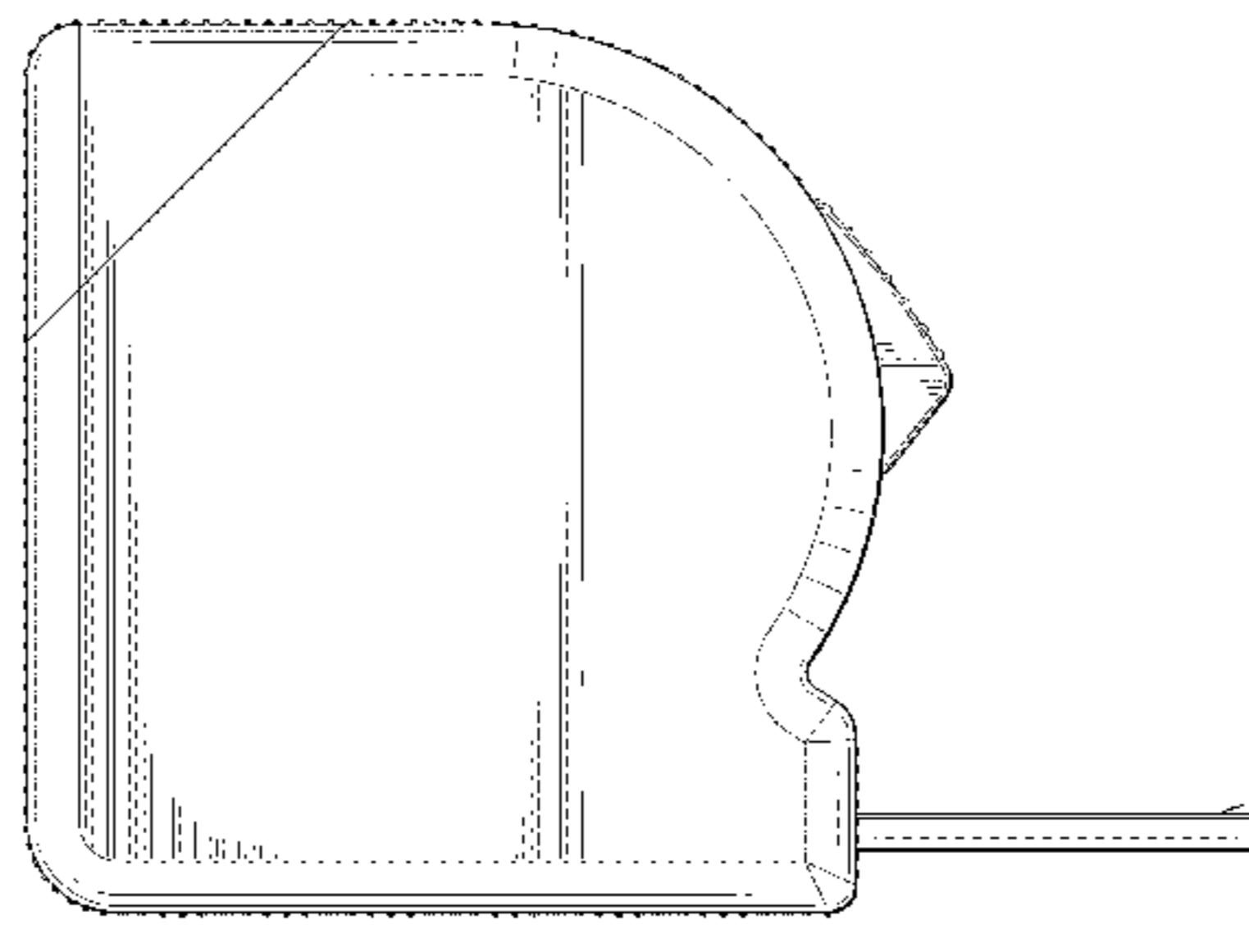
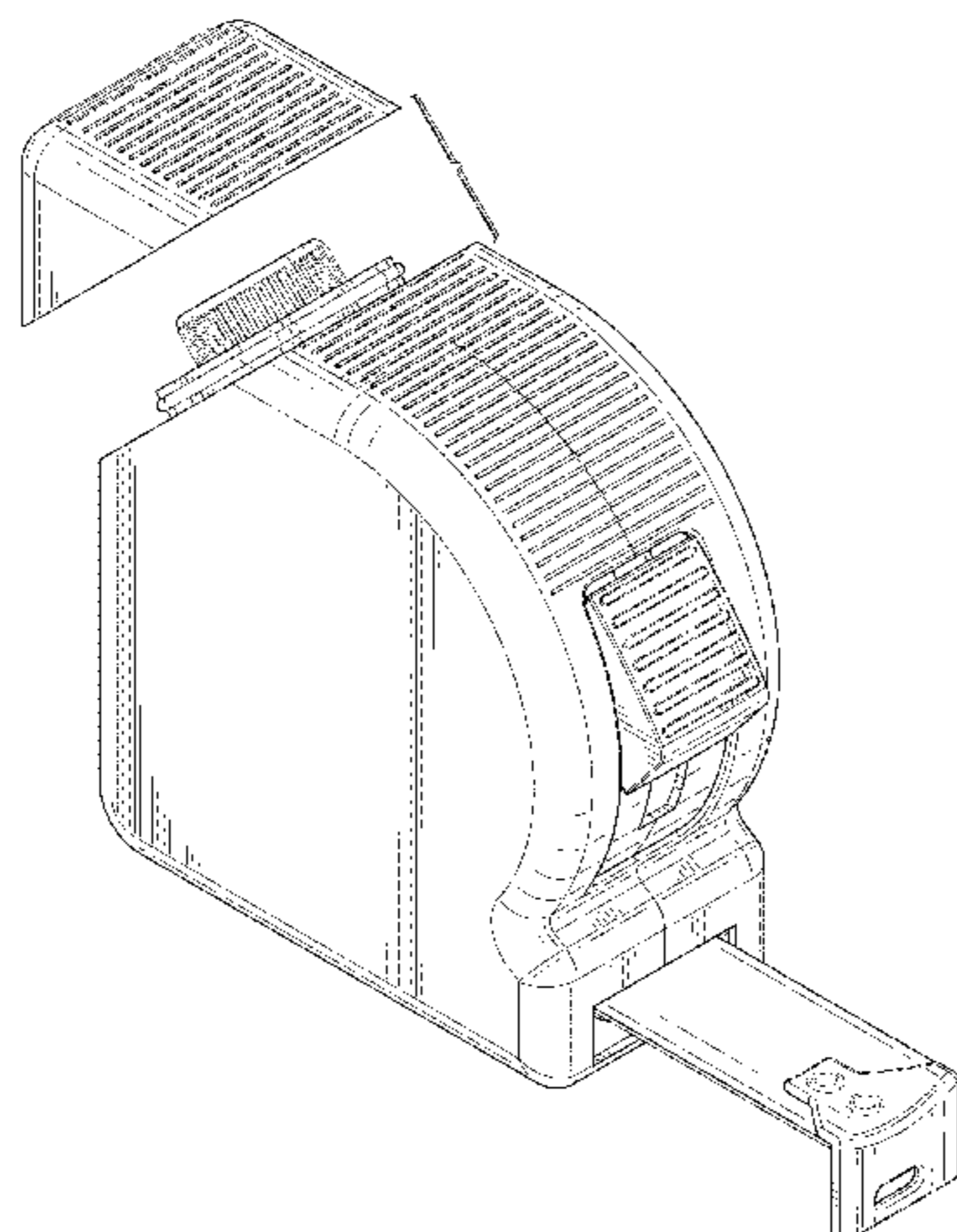
(Continued)

*Primary Examiner* — Leanne Was-Englehart  
 (74) *Attorney, Agent, or Firm* — Hemingway & Hansen, LLP; D. Scott Hemingway

(57) **CLAIM**

The ornamental design for a canteen measuring tape holder with nozzle and cap, as shown and described.

**1 Claim, 14 Drawing Sheets**



# US D848,216 S

Page 2

(58) **Field of Classification Search**

USPC ..... D9/679, 715, 718; D10/66, 69, 70, 72,  
D10/74

CPC ..... G01B 3/10; G01B 3/1002; G01B 3/1041;  
B65D 41/04

See application file for complete search history.

D418,369 S 1/2000 Bailey  
D422,227 S 4/2000 Lin  
D431,480 S 10/2000 Walsten et al.  
D457,448 S 5/2002 Olson  
D466,824 S 12/2002 Kram  
6,807,747 B1\* 10/2004 Hsu ..... G01B 3/1005  
33/755

(56) **References Cited**

U.S. PATENT DOCUMENTS

D49,292 S 6/1916 West  
D101,011 S 8/1936 Scurlock  
2,230,668 A 2/1941 Ohrtmann  
D133,916 S 9/1942 Robinson  
2,624,120 A 1/1953 Mills  
2,651,843 A 9/1953 Goodford  
2,842,853 A 7/1958 Hubbert  
2,942,348 A 6/1960 Caruso  
3,004,346 A 10/1961 Quenot  
3,120,059 A 2/1964 Quenot  
3,192,630 A 7/1965 Dineson  
D213,762 S 4/1969 Weckman  
3,494,038 A 2/1970 Quenot  
3,534,478 A 10/1970 Fisher  
3,577,641 A 5/1971 Smith  
3,731,389 A 5/1973 King  
4,140,254 A 2/1979 Land  
4,228,589 A\* 10/1980 Chemay ..... G01B 3/1041  
242/395  
4,293,058 A 10/1981 Burton  
D278,032 S\* 3/1985 de Mourgues ..... D9/435  
4,531,688 A 7/1985 Gall  
4,760,648 A 8/1988 Doak et al.  
D329,326 S 9/1992 Sheehy et al.  
D332,913 S 2/1993 Carroll  
D407,320 S 3/1999 Costen et al.  
D408,623 S 4/1999 Shaanan et al.

D533,303 S 12/2006 Angeletta  
D533,459 S 12/2006 Wagner  
D546,692 S 7/2007 Verburg  
D569,097 S 5/2008 Leslie et al.  
D569,748 S\* 5/2008 Caldi ..... D10/72  
D570,699 S 6/2008 Wagner  
D573,045 S\* 7/2008 Levinson ..... D10/66  
D581,288 S 11/2008 Villalobos  
D649,063 S 11/2011 Bakalis  
D656,407 S 3/2012 Baussan  
D657,680 S 4/2012 Cora et al.  
D659,003 S 5/2012 Knox  
D668,565 S\* 10/2012 Huang ..... D10/72  
D678,780 S 3/2013 Macleod Jones  
D803,711 S\* 11/2017 Jost ..... D10/72  
D805,930 S\* 12/2017 Ou ..... D10/72  
D817,200 S\* 5/2018 Wortelboer ..... D10/72  
2006/0049066 A1 3/2006 Wang  
2016/0069657 A1\* 3/2016 Kuo ..... G01B 3/1041  
33/768  
2017/0284782 A1\* 10/2017 Gaines ..... G01B 3/1041  
2017/0292821 A1\* 10/2017 DeLeo ..... G01B 3/1005

OTHER PUBLICATIONS

[https://www.youtube.com/watch?v=m8I\\_iUDr711](https://www.youtube.com/watch?v=m8I_iUDr711) Posted Nov. 20, 2016 (Year: 2016).\*  
<https://www.hulu.com/watch/86e455f7-f71d-4cc3-a7d7-ad5346af6109> air date Jan. 26, 2016 (Year: 2016).\*

\* cited by examiner

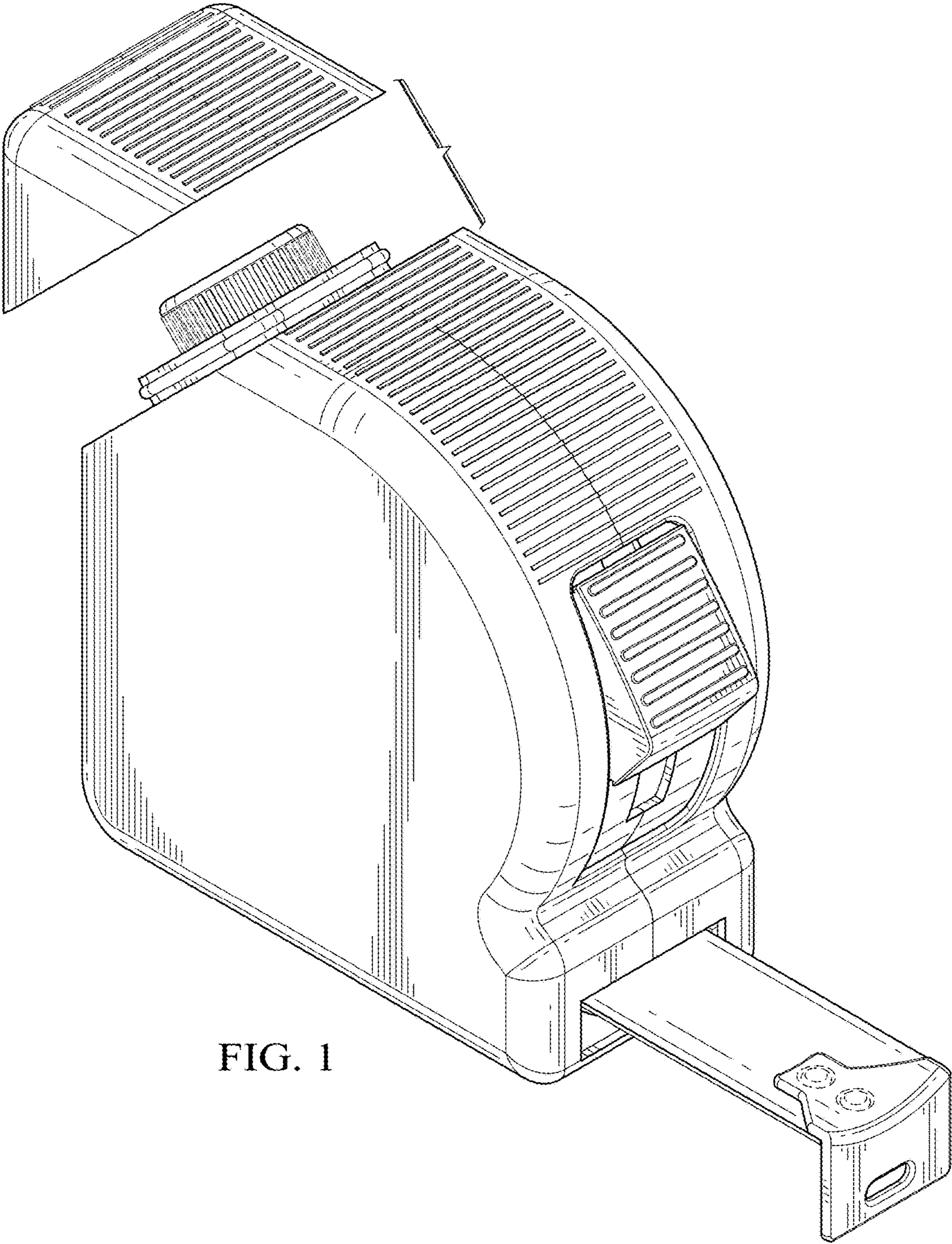


FIG. 1

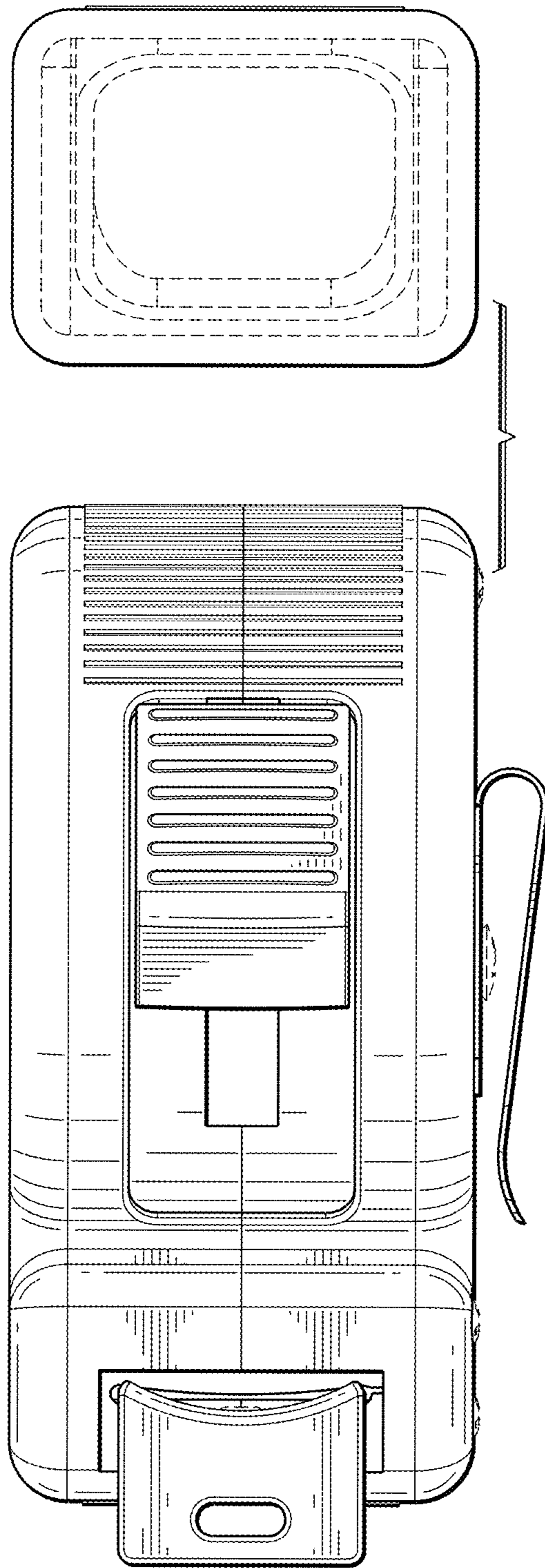


FIG. 2

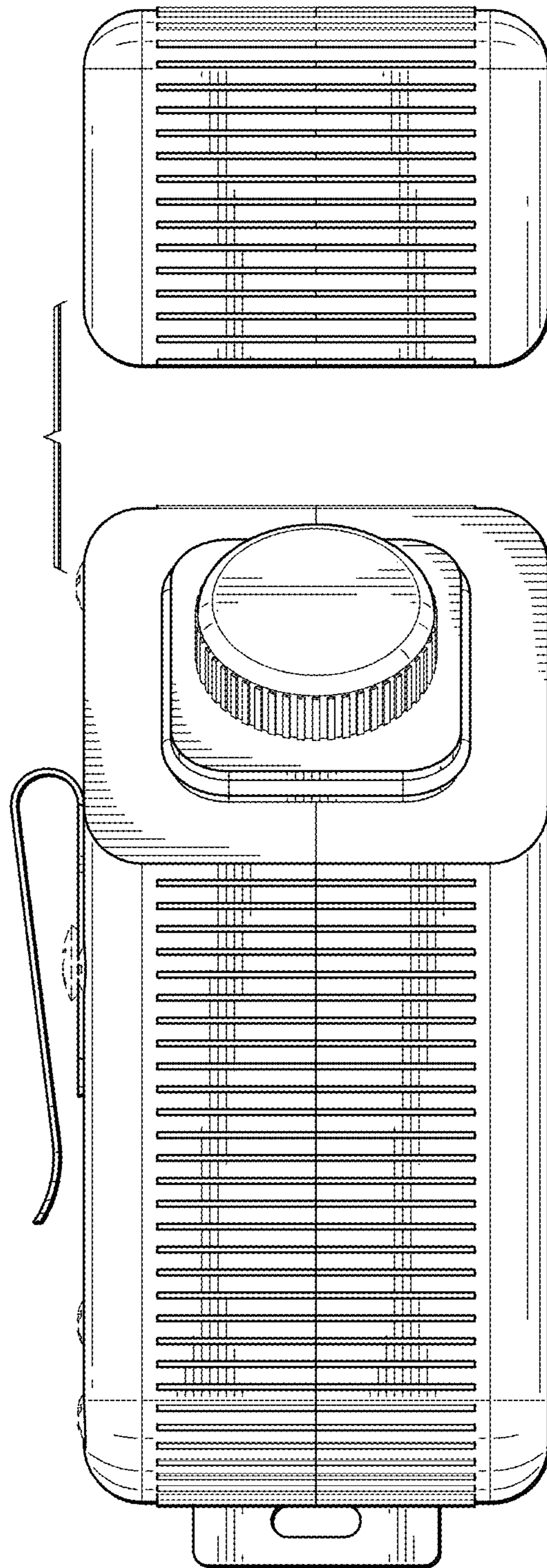


FIG. 3

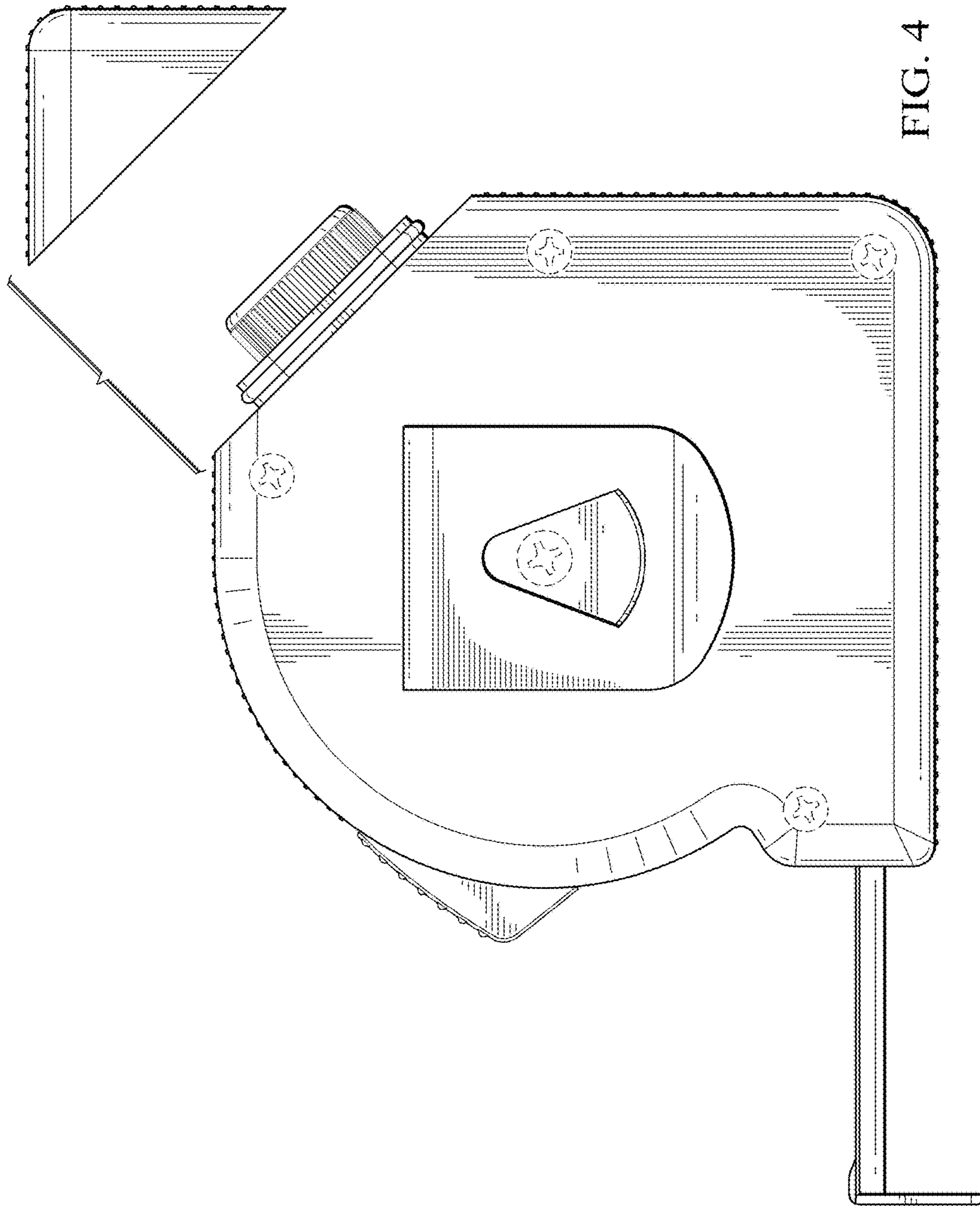


FIG. 4

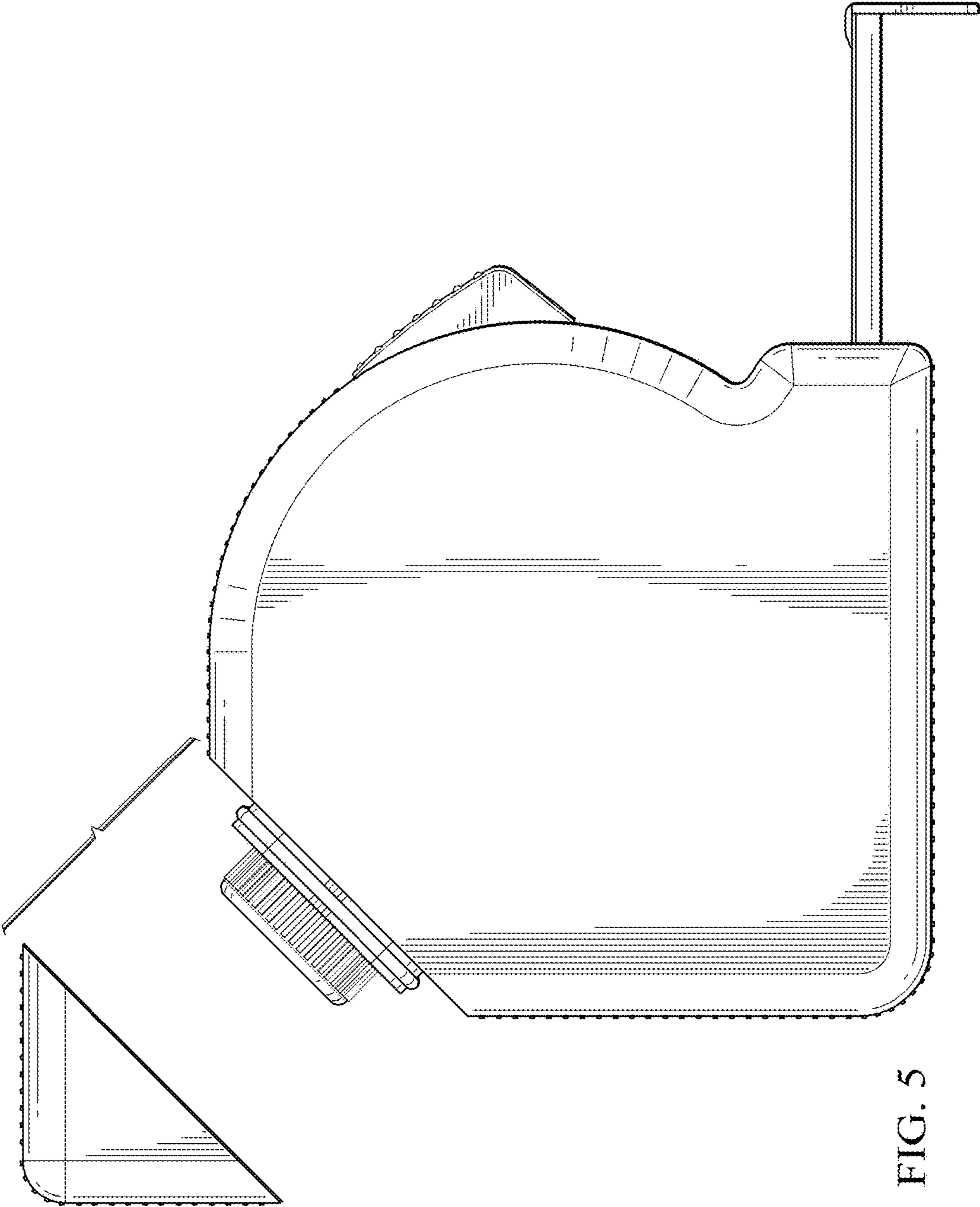


FIG. 5

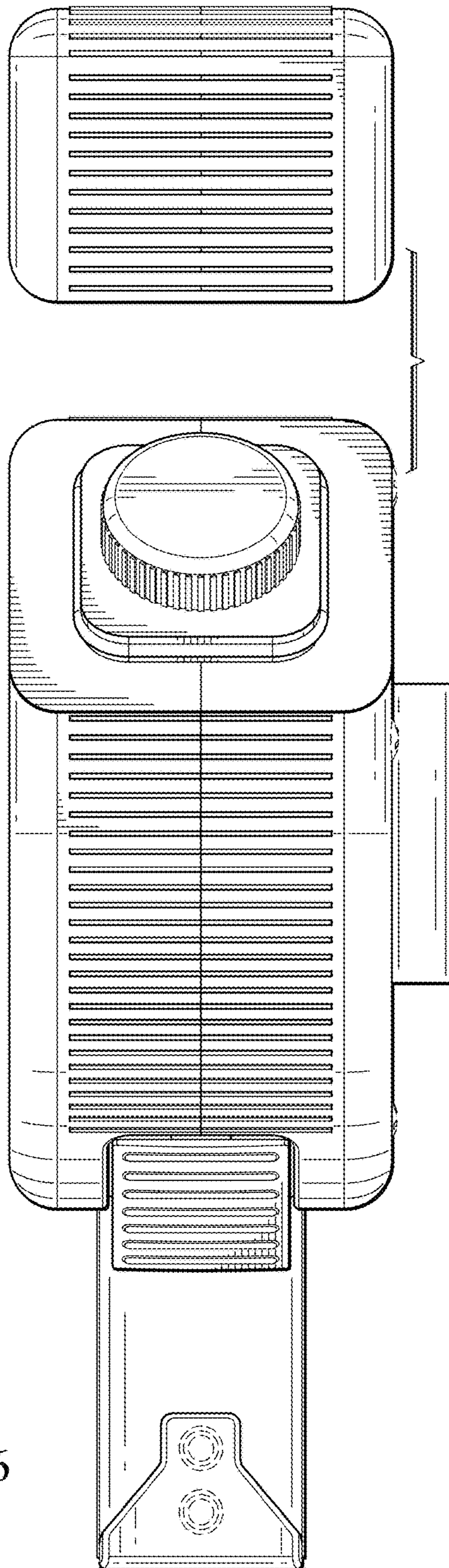


FIG. 6



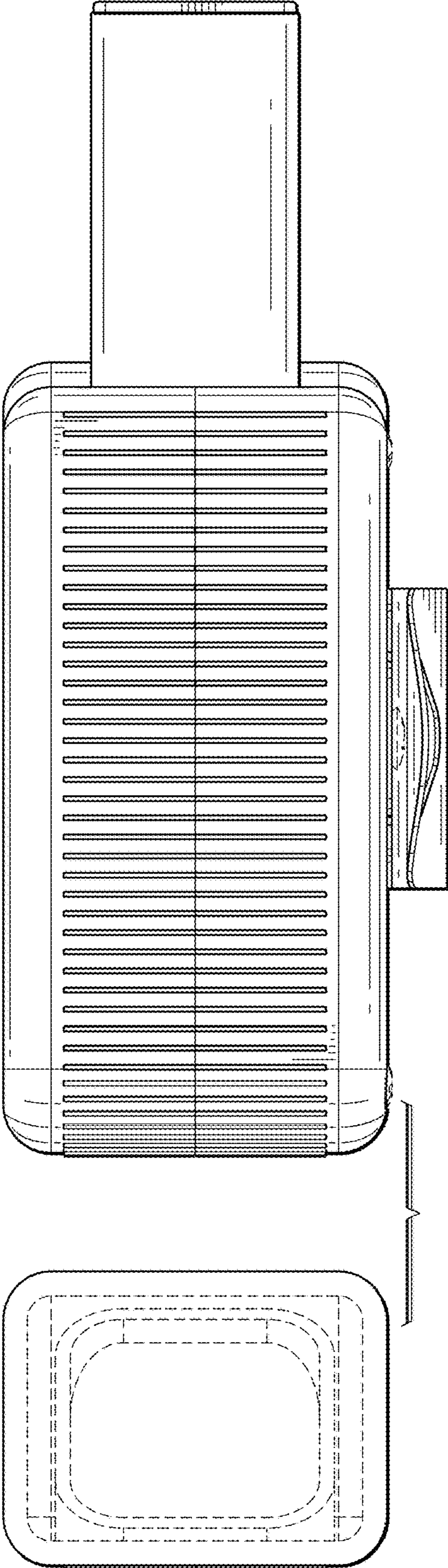


FIG. 7

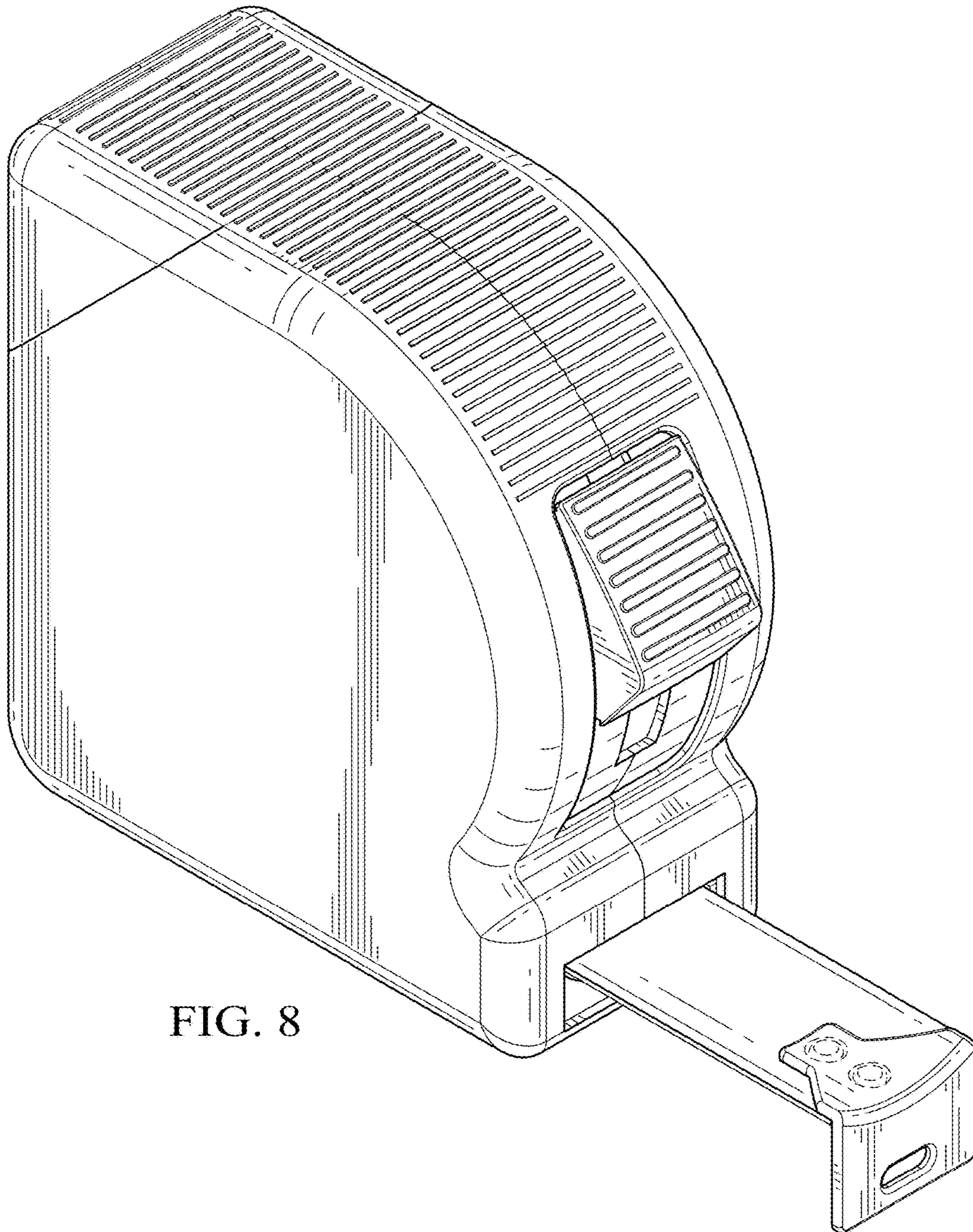


FIG. 8

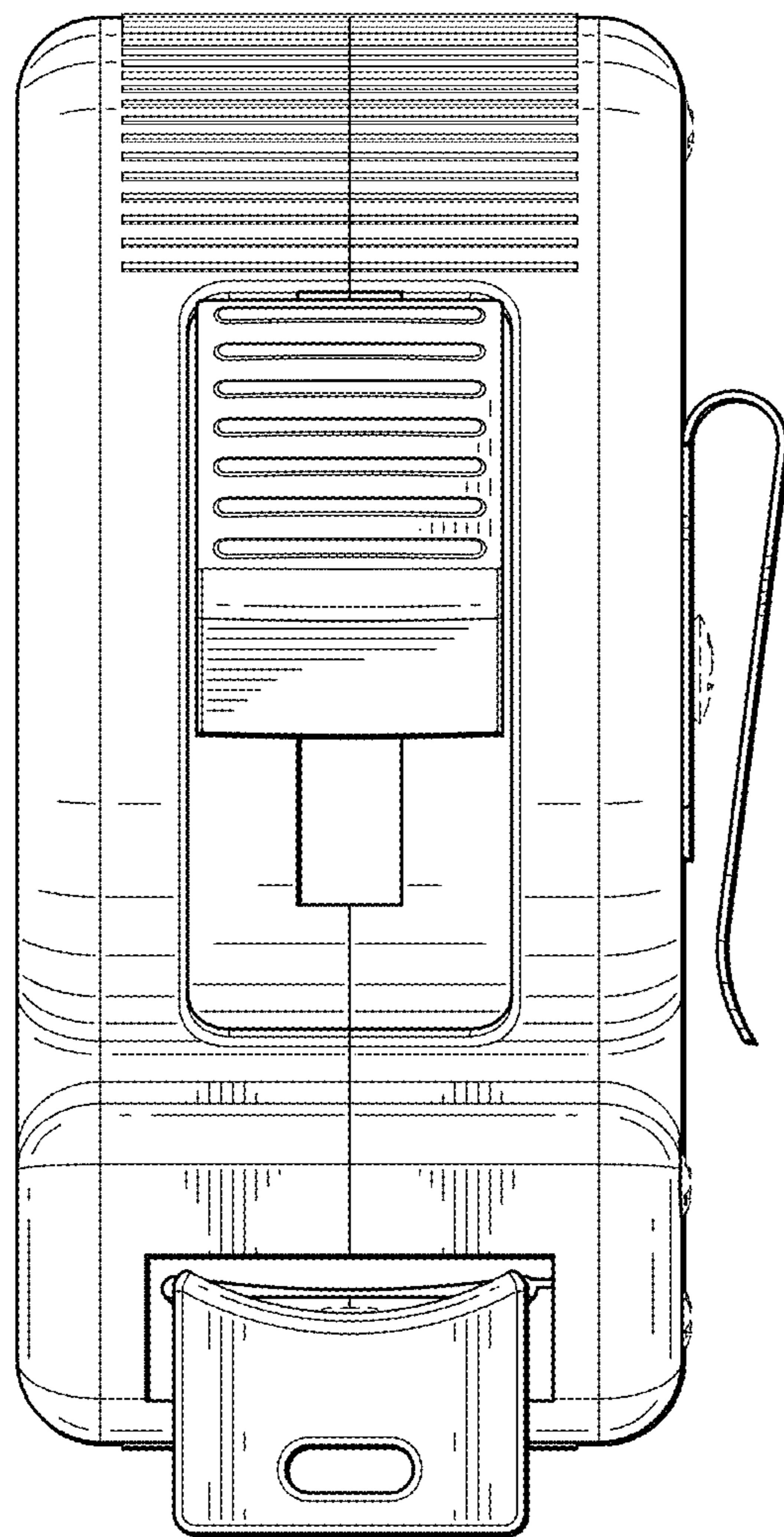


FIG. 9

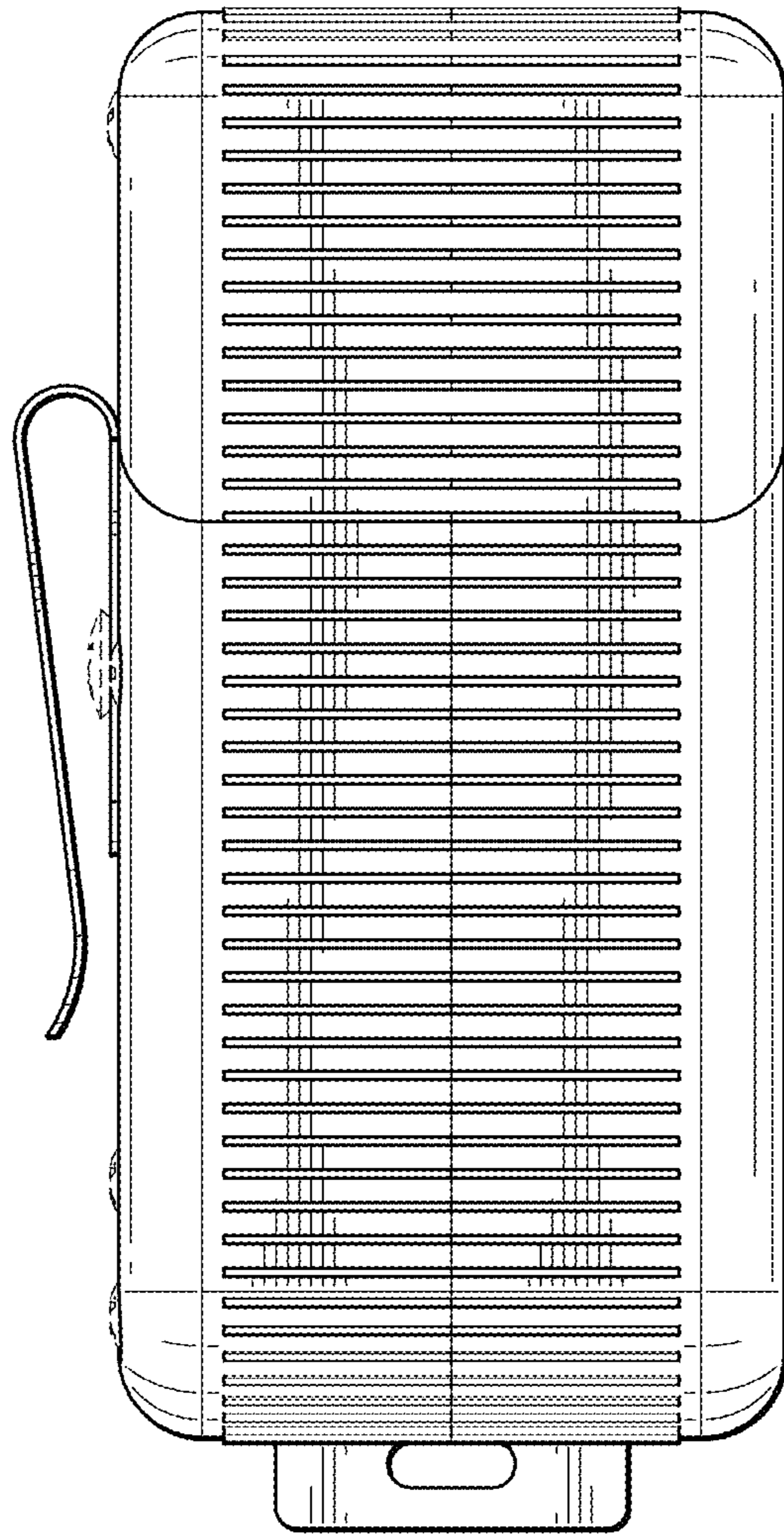


FIG. 10

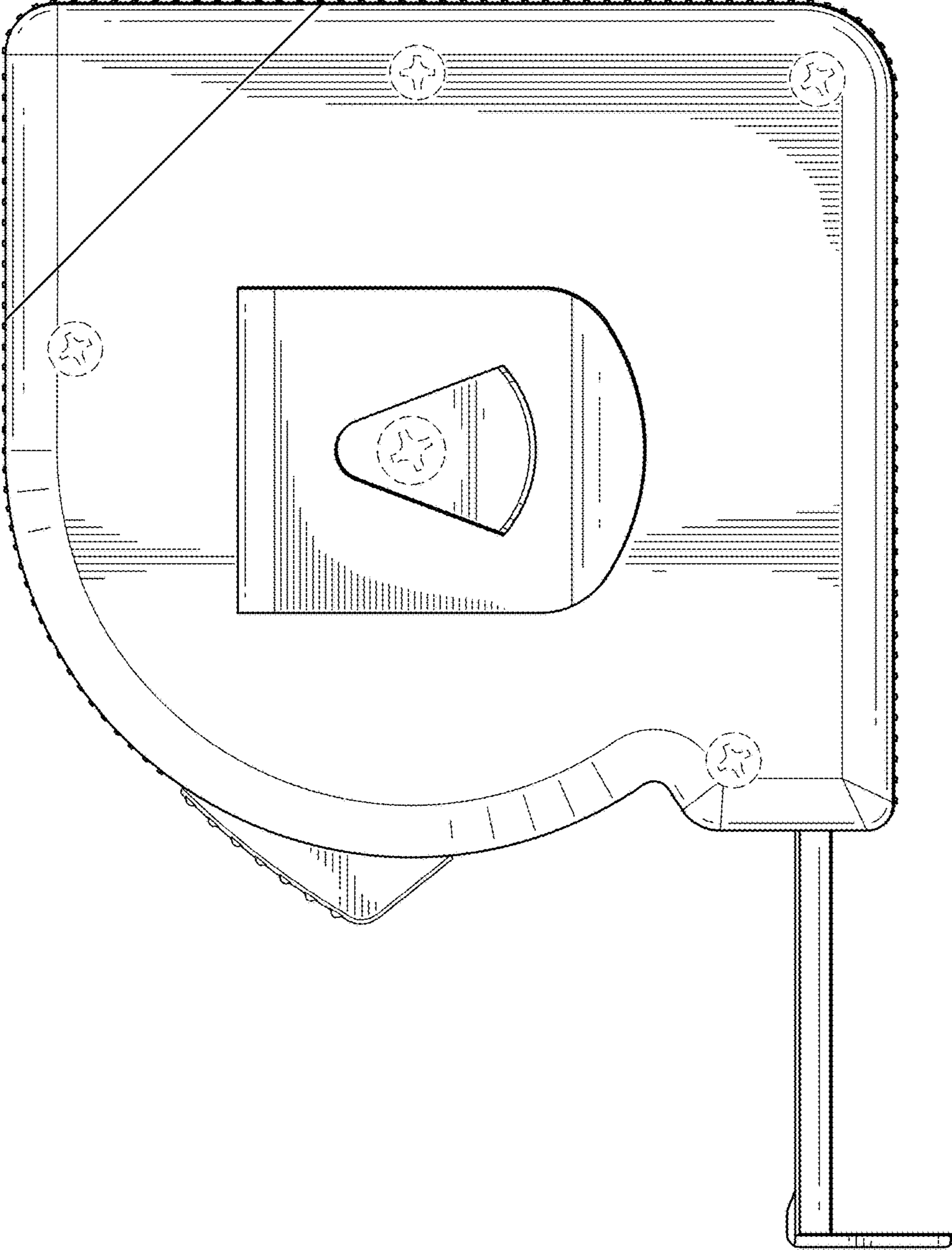


FIG. 11

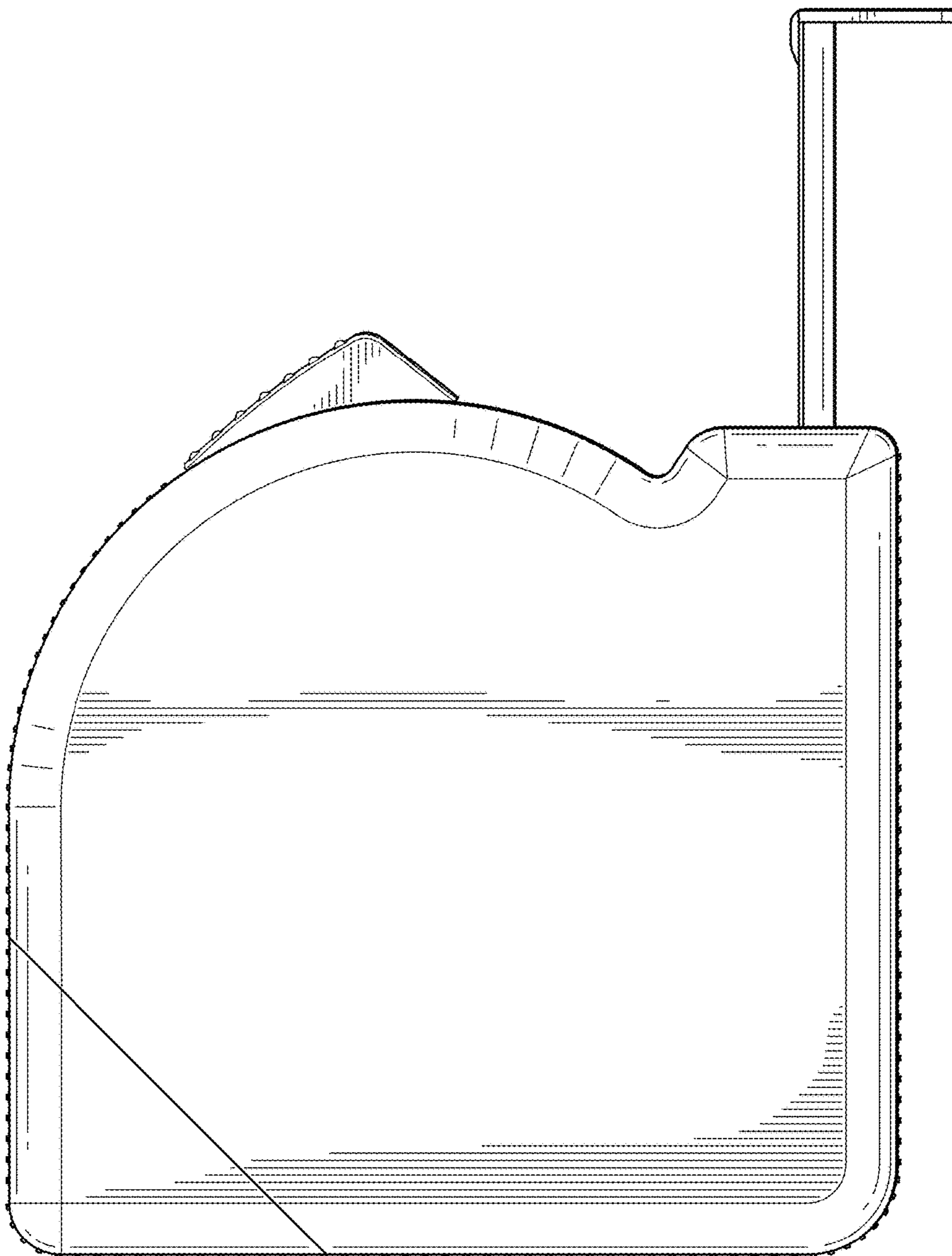


FIG. 12

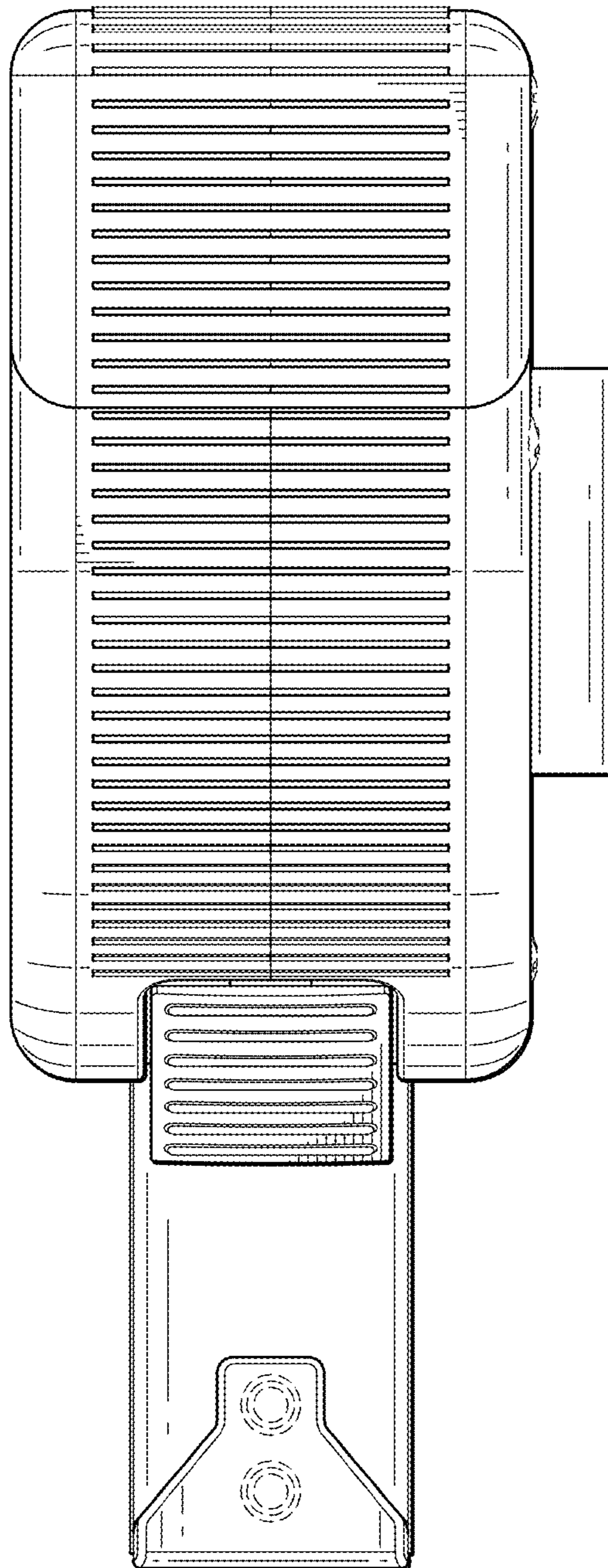


FIG. 13

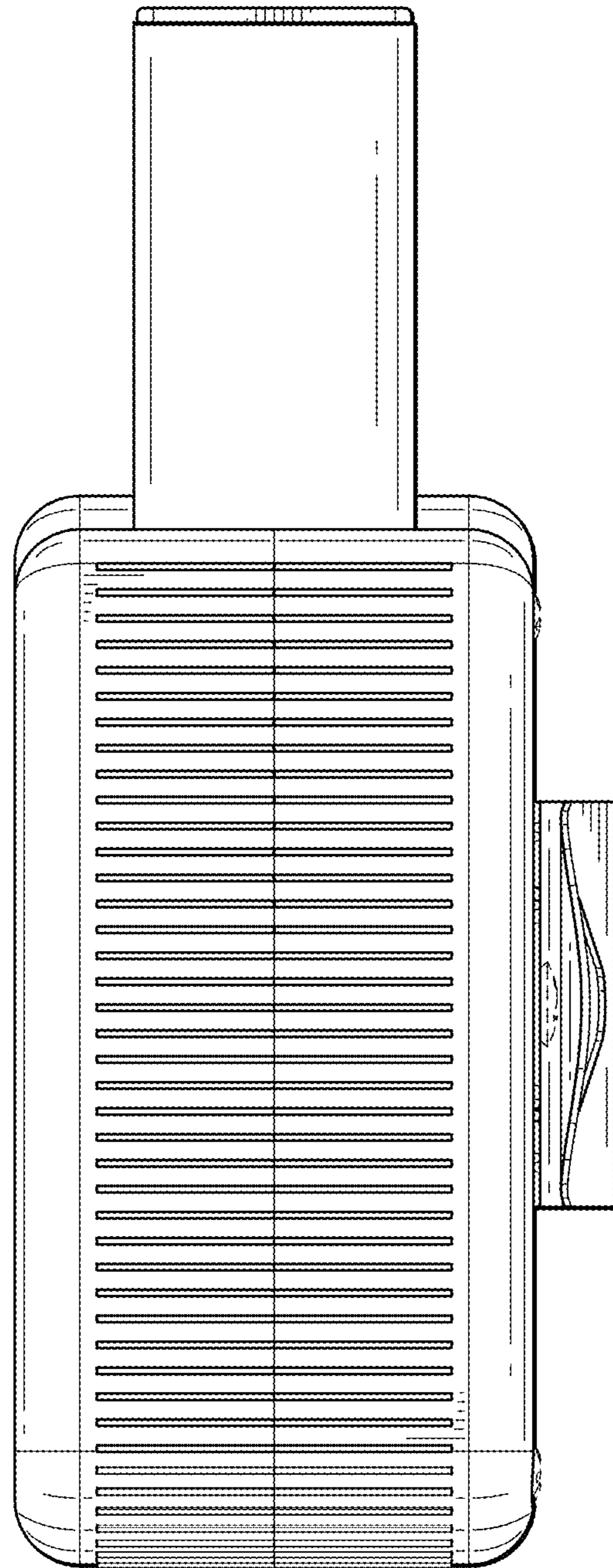


FIG. 14