



US00D848215S

(12) **United States Design Patent**
Chen

(10) **Patent No.:** **US D848,215 S**
(45) **Date of Patent:** **** May 14, 2019**

- (54) **FLEX EDGE BEATER**
- (71) Applicant: **Chudun Chen**, Puning (CN)
- (72) Inventor: **Chudun Chen**, Puning (CN)
- (**) Term: **15 Years**
- (21) Appl. No.: **29/636,835**
- (22) Filed: **Feb. 12, 2018**
- (51) **LOC (11) Cl.** **31-00**
- (52) **U.S. Cl.**
USPC **D7/412; D7/376; D7/379**
- (58) **Field of Classification Search**
USPC D7/372, 376–386, 412–413, 602, 629,
D7/665–666, 669, 679, 693–694
CPC A21C 1/02; A21C 1/04; A21C 1/12; A21C
1/147; A21C 1/1405; A23N 1/00; A23N
1/02; A47J 43/04; A47J 43/25; A47J
43/27; A47J 43/042; A47J 43/044; A47J
43/046; A47J 43/06; A47J 43/075; A47J
43/0711; A47J 43/0722; A47J 43/0727;
A47J 43/082; A47J 44/02; B01F 3/00;
B01F 3/0807; B01F 3/0853; B01F
7/1605; B01F 13/0059; B01F 13/0064;
B02C 1/08; B02C 2/04; B02C 4/42;
B02C 4/142; B02C 4/143; B02C 4/423;
B02C 13/1835; B28C 5/10; B28C 5/12;
B28C 5/14; B28C 5/16; F16H 3/66
See application file for complete search history.

(56) **References Cited**
U.S. PATENT DOCUMENTS

- 1,264,128 A * 4/1918 Rataiczak et al. B01F 7/1605
2/227
- 1,785,562 A * 12/1930 Schiff F16H 3/66
366/288
- 1,792,363 A * 2/1931 Dehuff A21C 1/02
403/348

- 1,862,181 A * 6/1932 Emmons A47J 43/06
366/197
- 2,046,784 A * 7/1936 Krause A47J 44/02
219/209
- 2,109,614 A * 3/1938 Dehuff A21C 1/1405
416/227 R
- 2,178,269 A * 10/1939 Seybert A47J 43/0711
366/313
- 2,181,078 A * 11/1939 Dehuff A47J 43/0711
366/309
- 2,318,534 A * 5/1943 Seybert A47J 43/0711
366/312
- 2,931,232 A * 4/1960 Martin A21C 1/147
366/197
- 4,613,086 A * 9/1986 Granum A21C 1/12
241/101.2
- 4,946,285 A * 8/1990 Vennemeyer A47J 43/0711
366/288
- 5,911,505 A * 6/1999 St. John A21C 1/02
366/200
- 5,934,802 A * 8/1999 Xie A21C 1/147
366/100
- D438,052 S * 2/2001 Po-Hei D7/379

(Continued)

Primary Examiner — Ricky Pham
(74) *Attorney, Agent, or Firm* — Juan Carlos A. Marquez;
Marquez IP Law Office, PLLC

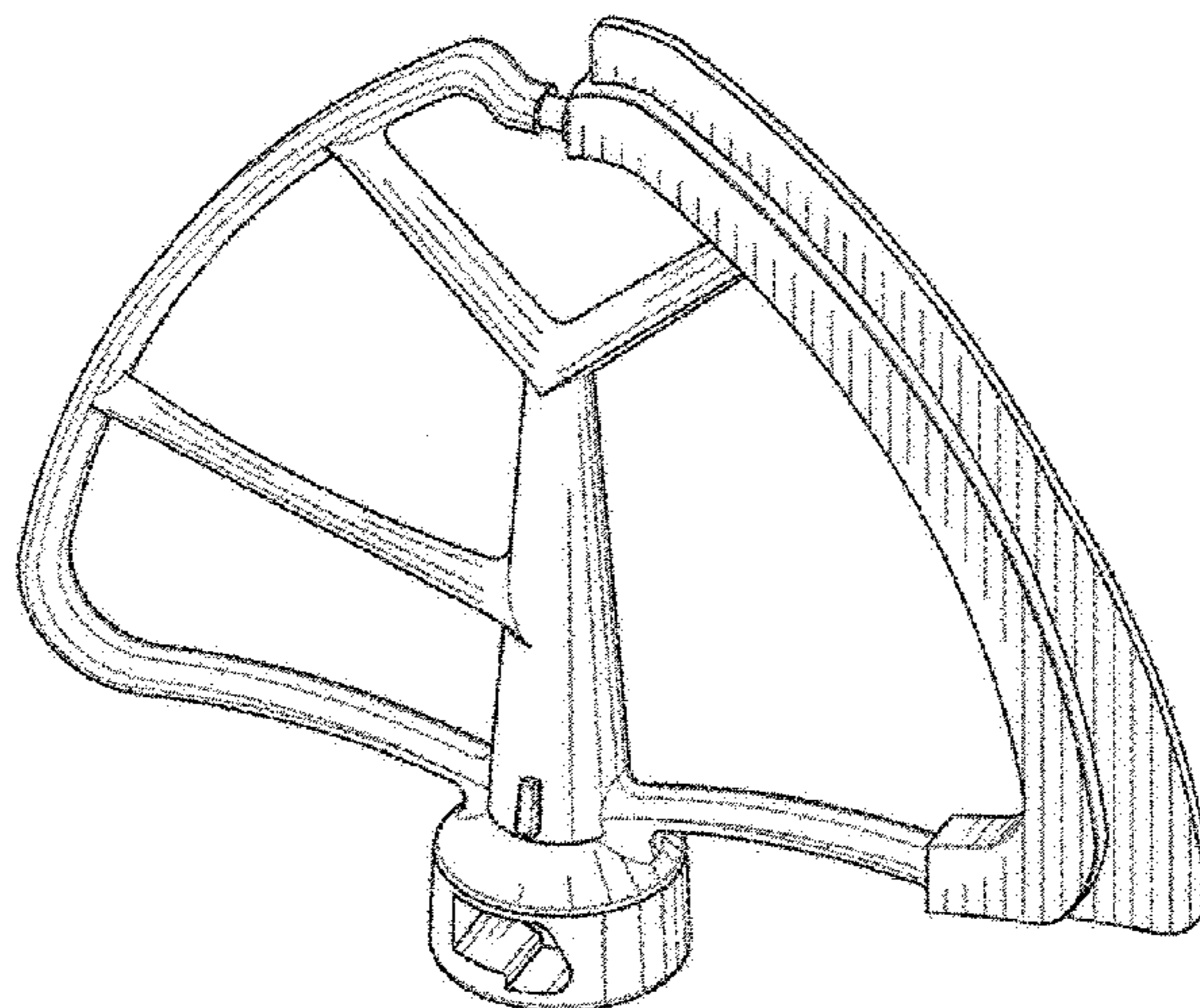
(57) **CLAIM**

I claim the ornamental design for a flex edge beater, as shown and described.

DESCRIPTION

FIG. 1 is a perspective view of a flex edge beater in accordance with my new design;
FIG. 2 is a front elevation view thereof;
FIG. 3 is a rear elevation view thereof;
FIG. 4 is a right-side elevation view thereof;
FIG. 5 is a left-side elevation view thereof;
FIG. 6 is a top elevation view thereof; and,
FIG. 7 is a bottom elevation view thereof.

1 Claim, 6 Drawing Sheets



(56)

References Cited

U.S. PATENT DOCUMENTS

D438,424 S * 3/2001 Po-Hei D7/379
D447,907 S * 9/2001 Po-Hei D7/379
D488,956 S * 4/2004 Boyle B01F 7/00583
D7/412
7,314,308 B2 * 1/2008 Fallowes A47J 43/0711
366/310
D616,699 S * 6/2010 Hoare D7/376
D664,807 S * 8/2012 Annis D7/376
8,308,343 B2 * 11/2012 Huang A47J 43/0711
366/295
D684,425 S * 6/2013 Nordwall D7/379
8,579,496 B2 * 11/2013 Annis A47J 43/0711
366/197
8,616,763 B2 * 12/2013 Annis A47J 43/0711
366/312
2006/0268659 A1 * 11/2006 Kaas A47J 43/0711
366/312

* cited by examiner

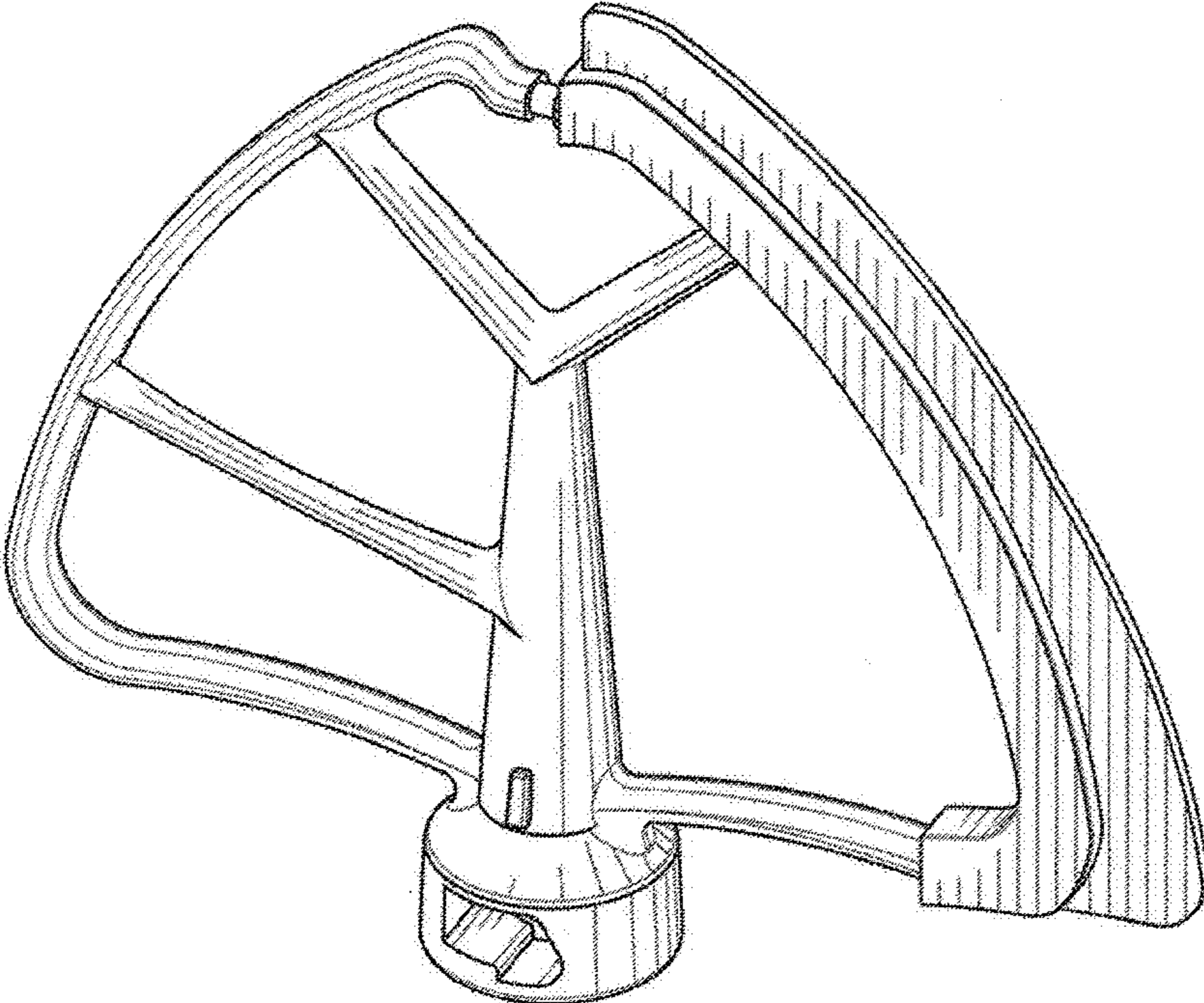


FIG.1

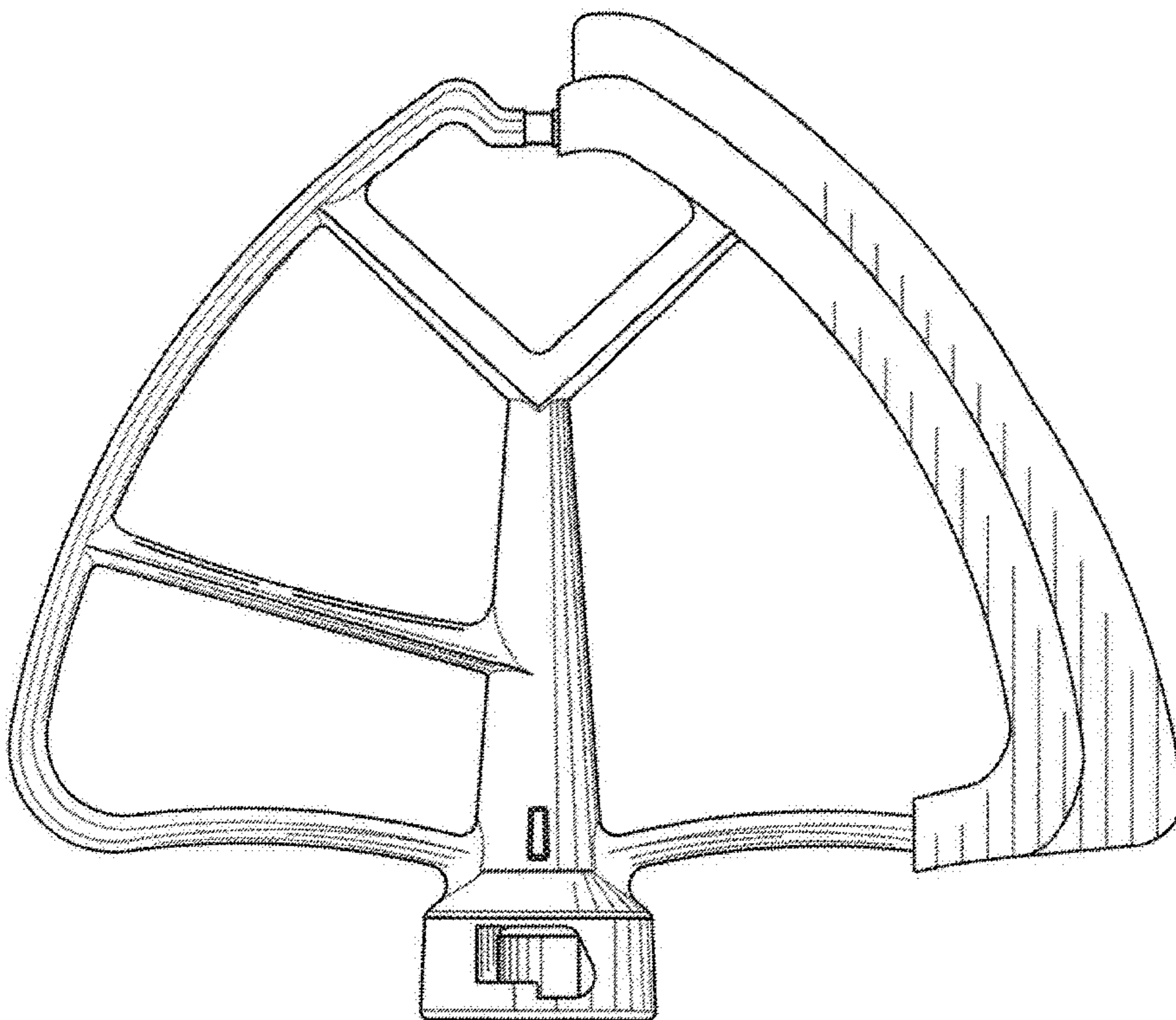


FIG. 2

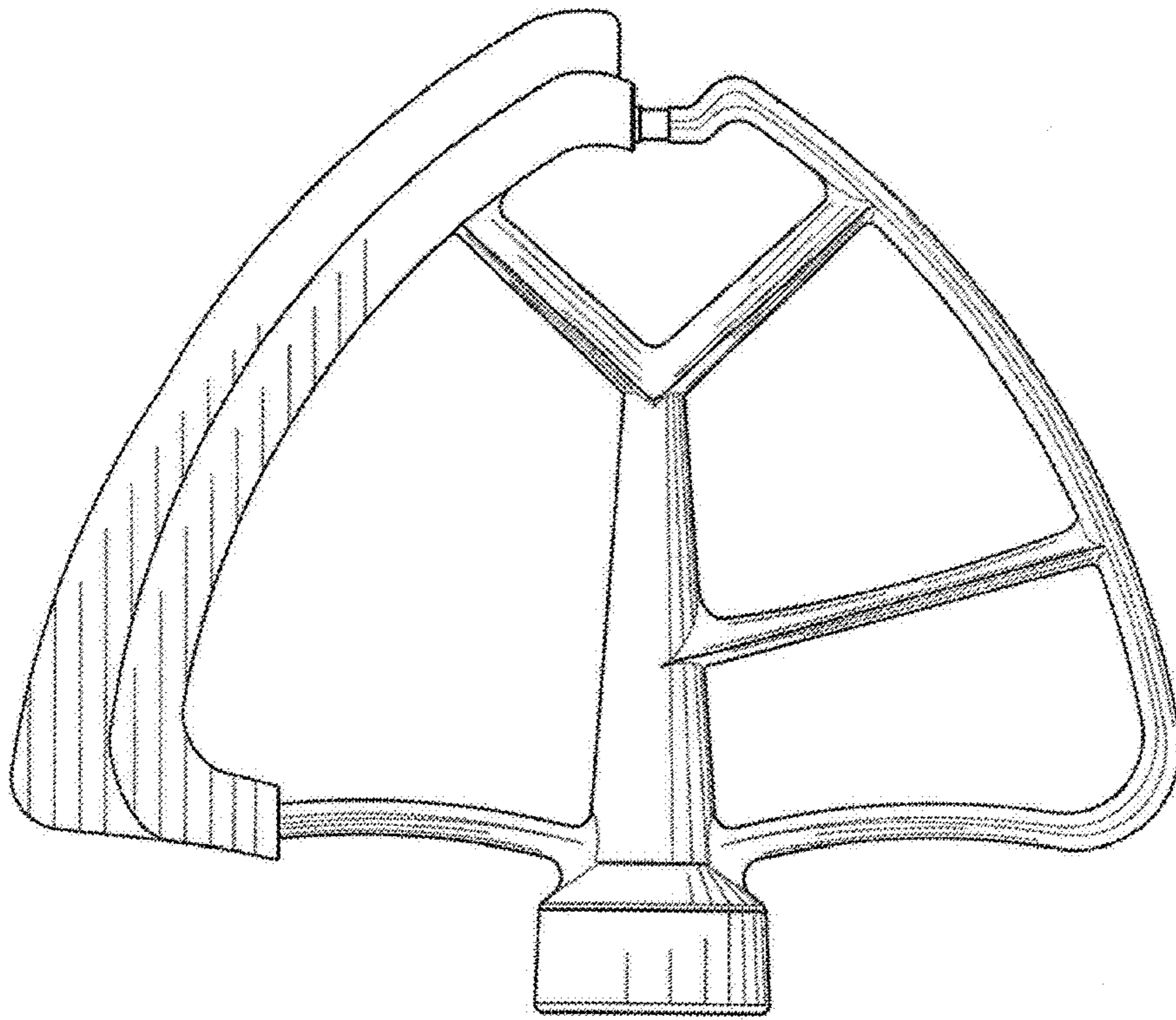


FIG.3

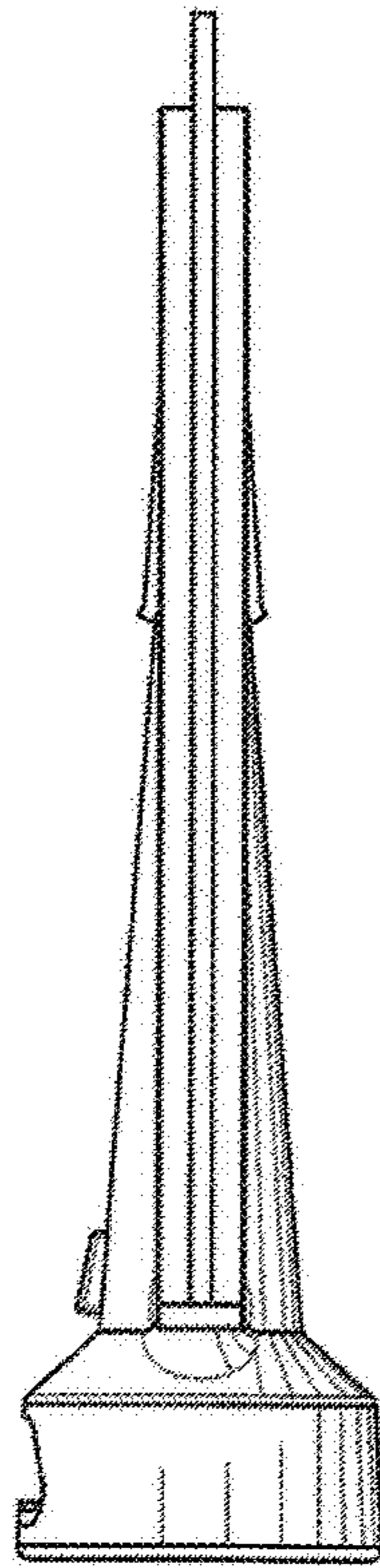


FIG. 4

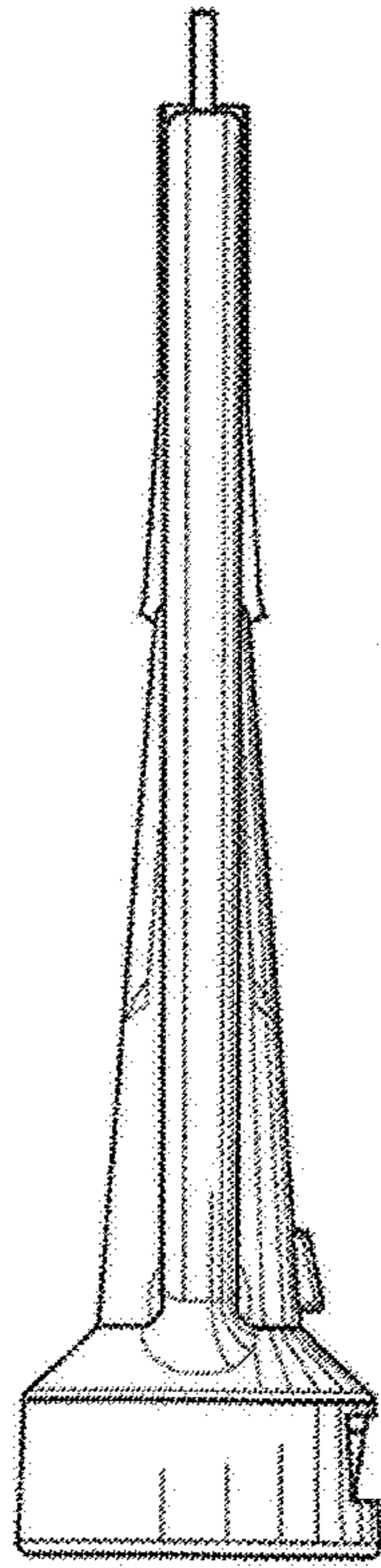


FIG. 5

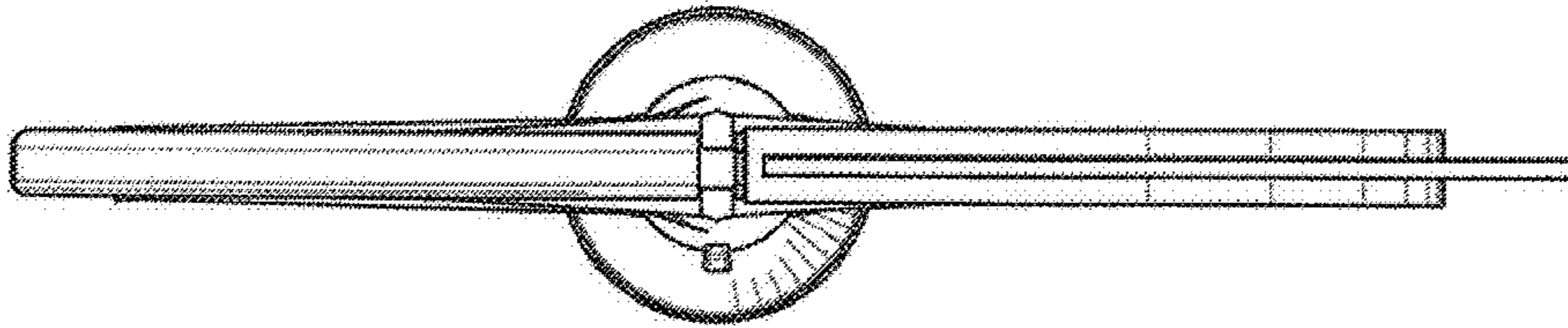


FIG. 6

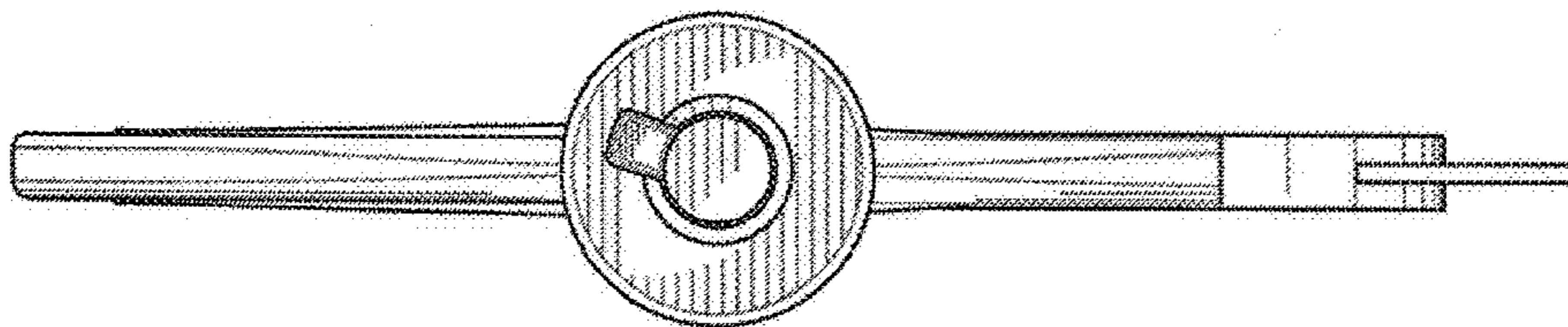


FIG. 7