



US00D848214S

(12) **United States Design Patent**
Fung

(10) **Patent No.:** **US D848,214 S**

(45) **Date of Patent:** **** May 14, 2019**

(54) **MIXER ATTACHMENT**
(71) Applicant: **Conair Corporation**, Stamford, CT (US)
(72) Inventor: **Kam Fai Fung**, Tuen Mun (HK)
(73) Assignee: **CONAIR CORPORATION**, Stamford, CT (US)

5,836,528 A 11/1998 Hilgarth
7,740,400 B2 6/2010 Membreno
D643,265 S * 8/2011 Kim A47J 43/04
D7/665
D660,660 S * 5/2012 Kim D7/666
D676,287 S * 2/2013 Ferraby D7/665
D682,606 S 5/2013 Machovina et al.
8,550,390 B2 10/2013 Machovina et al.
D701,077 S * 3/2014 Whitner D7/376
D706,580 S * 6/2014 Xie A47J 19/02
D7/376

(**) Term: **15 Years**

(Continued)

(21) Appl. No.: **29/625,273**

Primary Examiner — Ricky Pham

(22) Filed: **Nov. 8, 2017**

(74) *Attorney, Agent, or Firm* — McCormick, Paulding & Huber LLP

(51) **LOC (11) Cl.** **31-00**

(52) **U.S. Cl.**
USPC **D7/412; D7/376; D7/384**

(57) **CLAIM**

The ornamental design for a mixer attachment, as shown and described.

(58) **Field of Classification Search**
USPC D7/372, 376–386, 412–413, 602, 629, D7/665–666, 669, 679, 693–694
CPC A21C 1/02; A21C 1/04; A23N 1/00; A23N 1/02; A47J 19/02; A47J 42/56; A47J 43/04; A47J 43/25; A47J 43/27; A47J 43/042; A47J 43/044; A47J 43/046; A47J 43/075; A47J 43/0705; A47J 43/0722; A47J 43/0727; A47J 44/00; B01F 3/00; B01F 3/0807; B01F 3/0853; B01F 13/0059; B01F 13/0064; B02C 1/08; B02C 2/04; B02C 4/42; B02C 4/142; B02C 4/143; B02C 4/423; B02C 13/1835; B28C 5/10; B28C 5/12; B28C 5/14; B28C 5/16

DESCRIPTION

FIG. 1 is a front, top, right-hand side perspective view of a first embodiment of a mixer attachment, comprising a new, original and ornamental design;
FIG. 2 is a front view thereof;
FIG. 3 is a back view thereof;
FIG. 4 is a right-hand side view thereof;
FIG. 5 is a left-hand side view thereof;
FIG. 6 is a top view thereof;
FIG. 7 is a bottom view thereof;
FIG. 8 is a front, top, right-hand side perspective view of a second embodiment of a mixer attachment, comprising a new, original and ornamental design;
FIG. 9 is a front view thereof;
FIG. 10 is a back view thereof;
FIG. 11 is a right-hand side view thereof;
FIG. 12 is a left-hand side view thereof;
FIG. 13 is a top view thereof; and,
FIG. 14 is a bottom view thereof.

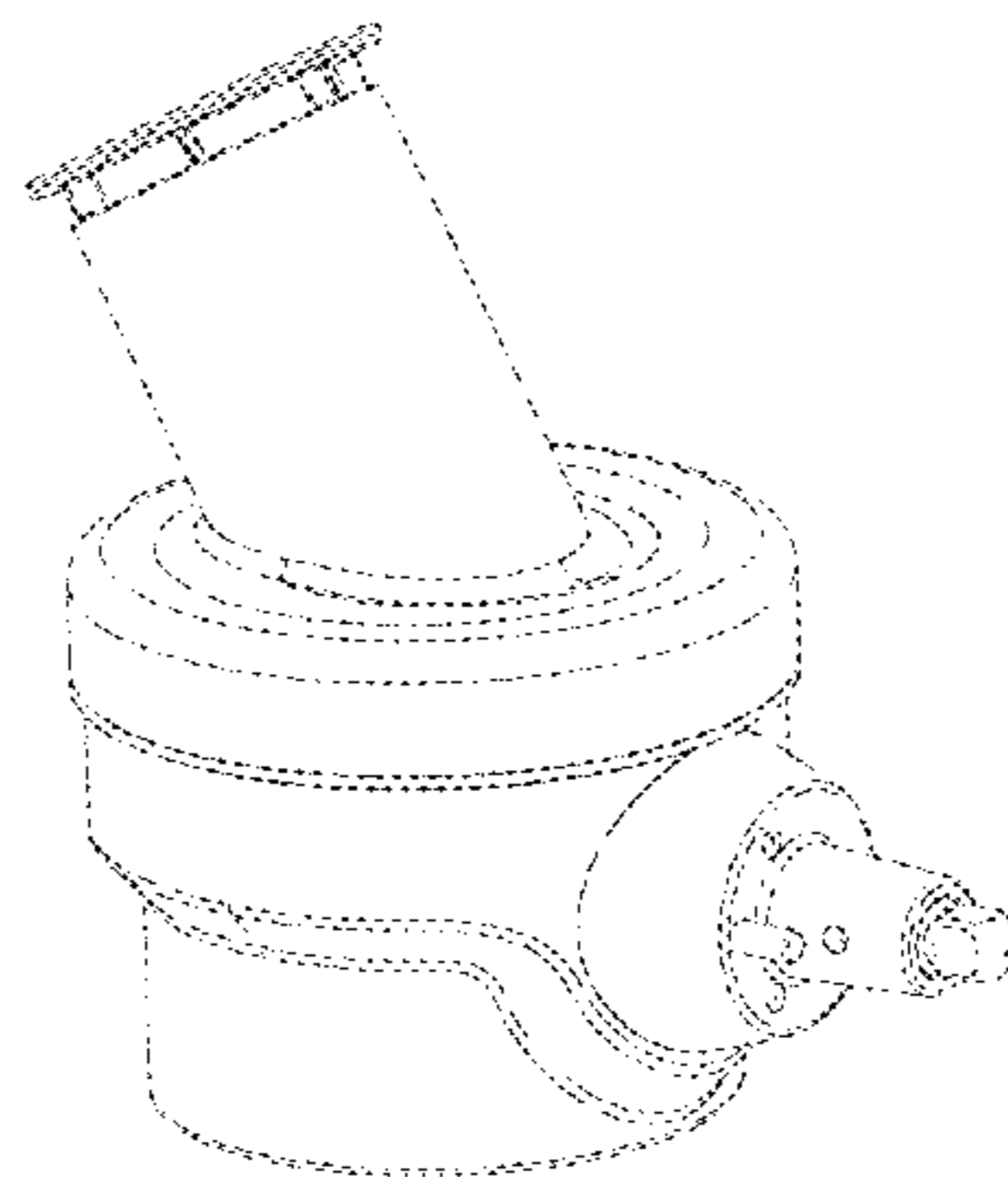
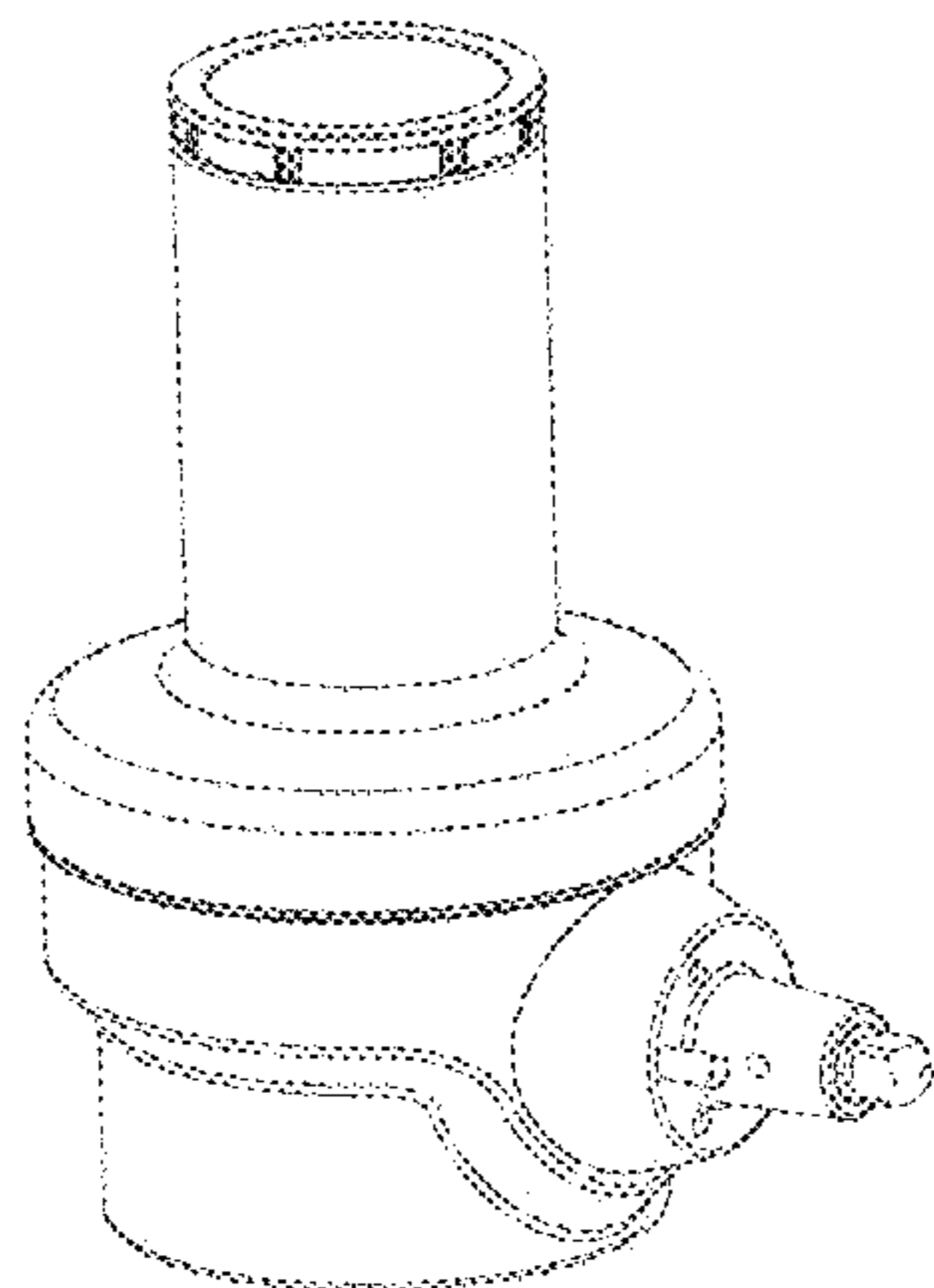
See application file for complete search history.

(56) **References Cited**

U.S. PATENT DOCUMENTS

4,856,718 A 8/1989 Gaber et al.
5,675,228 A * 10/1997 O'Bryan A47J 42/56
200/43.09
5,806,413 A * 9/1998 Trovinger A47J 19/02
241/37.5

1 Claim, 14 Drawing Sheets



(56)

References Cited

U.S. PATENT DOCUMENTS

D718,094 S * 11/2014 Yan A47J 44/00
D7/665
8,925,845 B2 1/2015 Machovina et al.
8,939,390 B2 1/2015 Machovina et al.
8,973,855 B2 3/2015 Machovina et al.
D739,678 S 9/2015 Benoit et al.
D739,679 S 9/2015 Benoit et al.
9,167,938 B2 10/2015 Benoit et al.
D742,183 S * 11/2015 Kim D7/665
9,332,881 B2 * 5/2016 Sands A47J 43/04
9,498,085 B2 * 11/2016 Zakowski A47J 44/00
9,556,916 B2 1/2017 Conti et al.
9,675,101 B2 6/2017 Conti et al.
2013/0074708 A1 * 3/2013 Asbury A23N 1/02
99/513
2014/0263783 A1 * 9/2014 Benoit A47J 43/0705
241/100
2016/0143484 A1 5/2016 Palmer et al.
2016/0345779 A1 12/2016 Tu

* cited by examiner

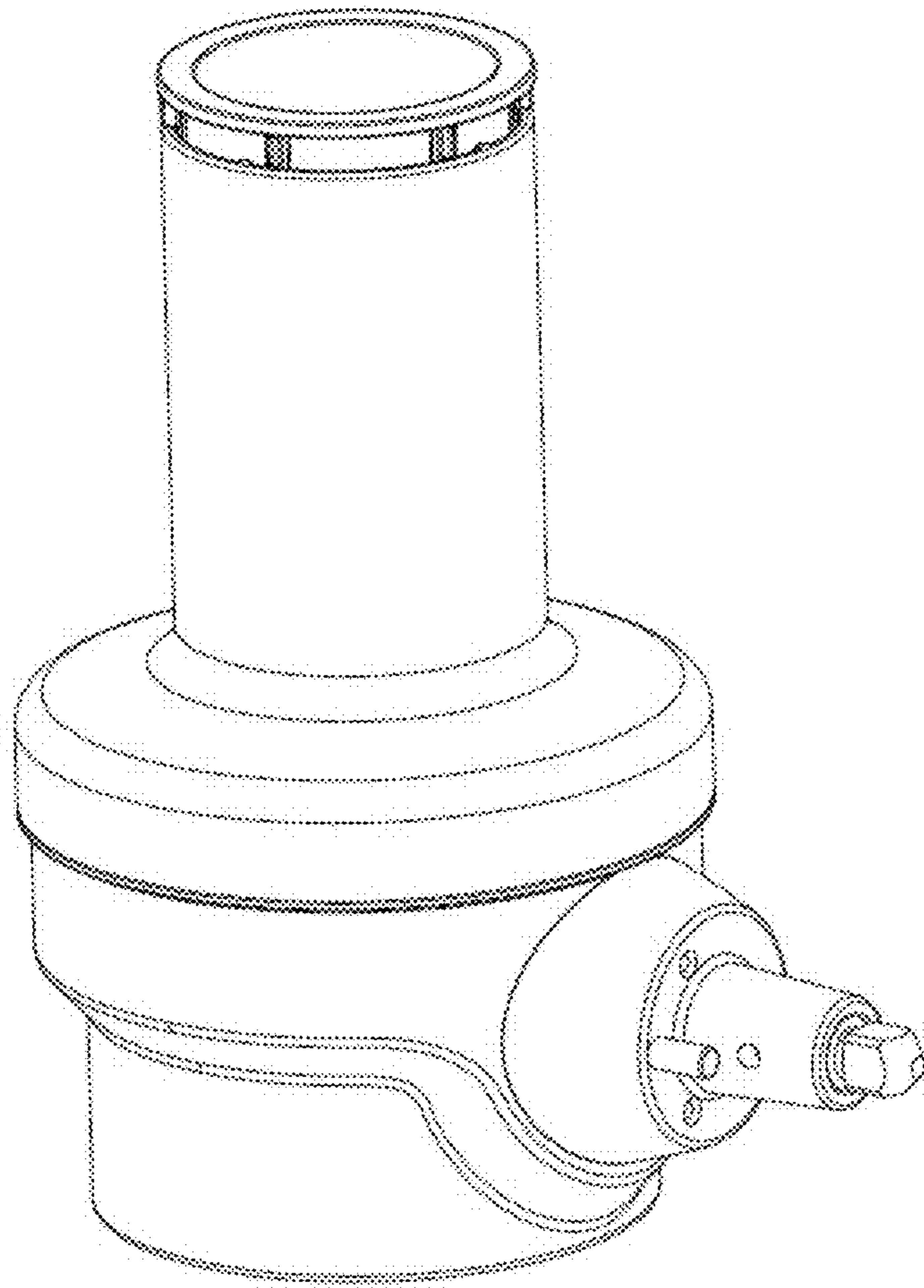


FIG. 1

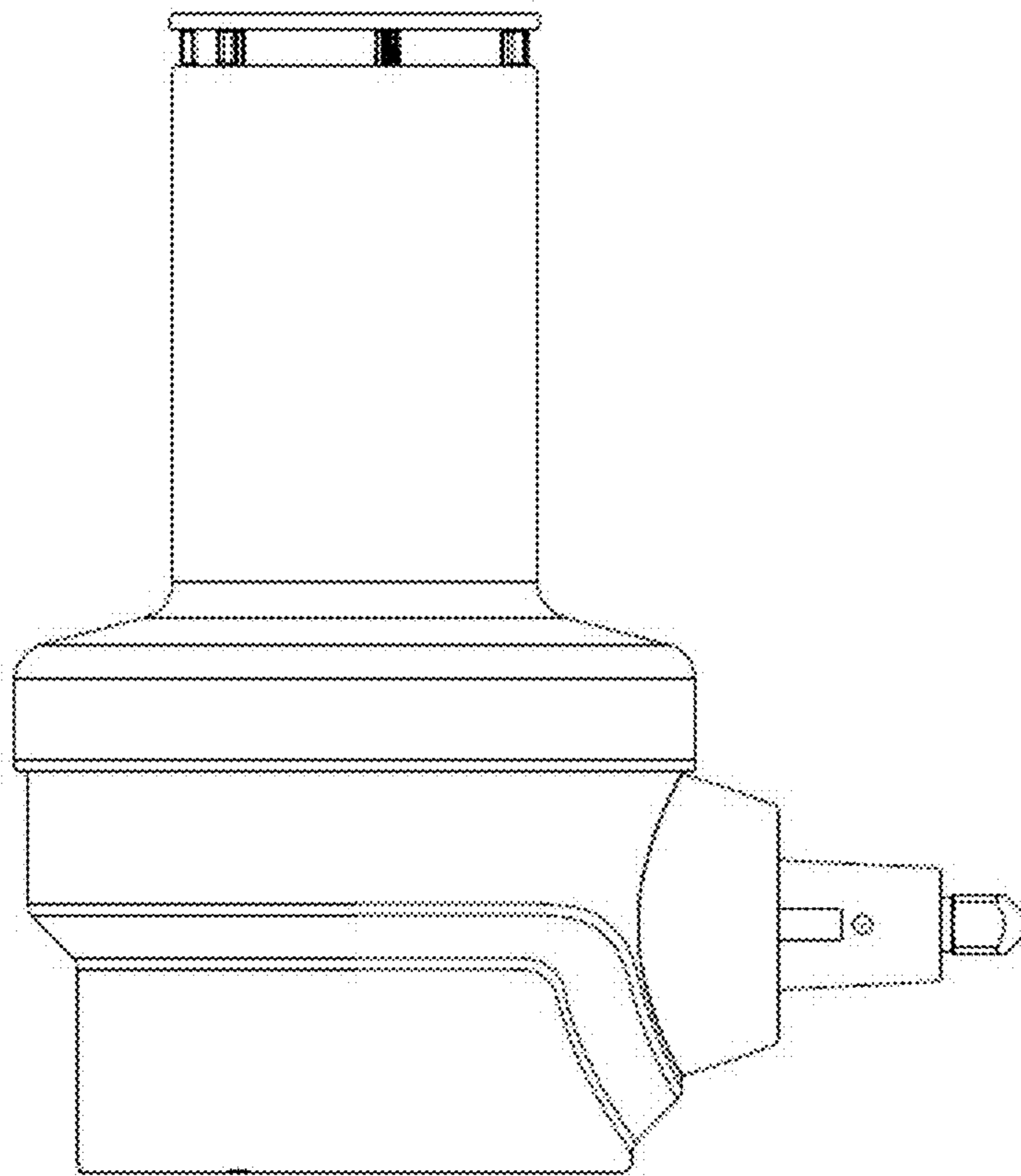


FIG. 2

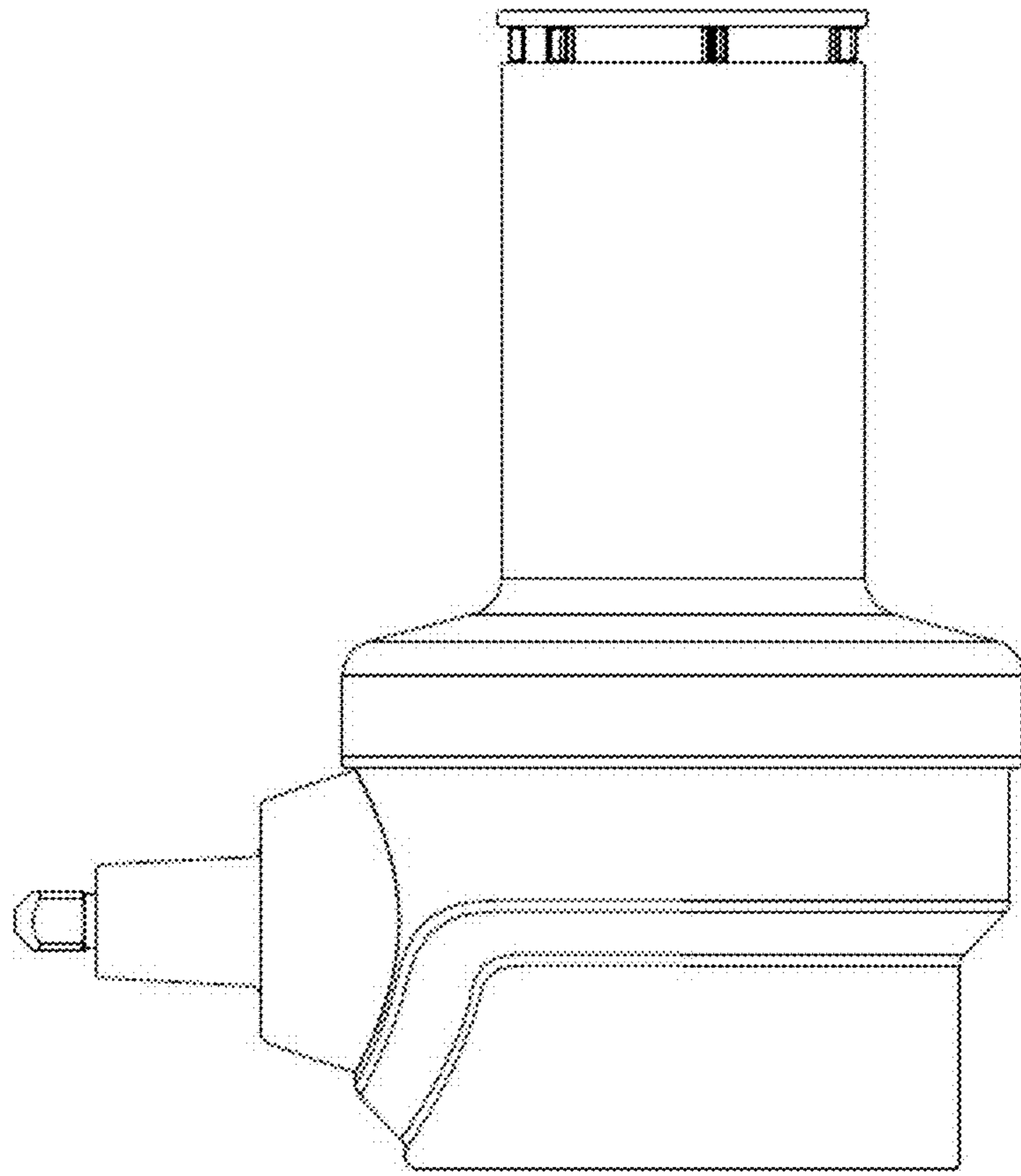


FIG. 3

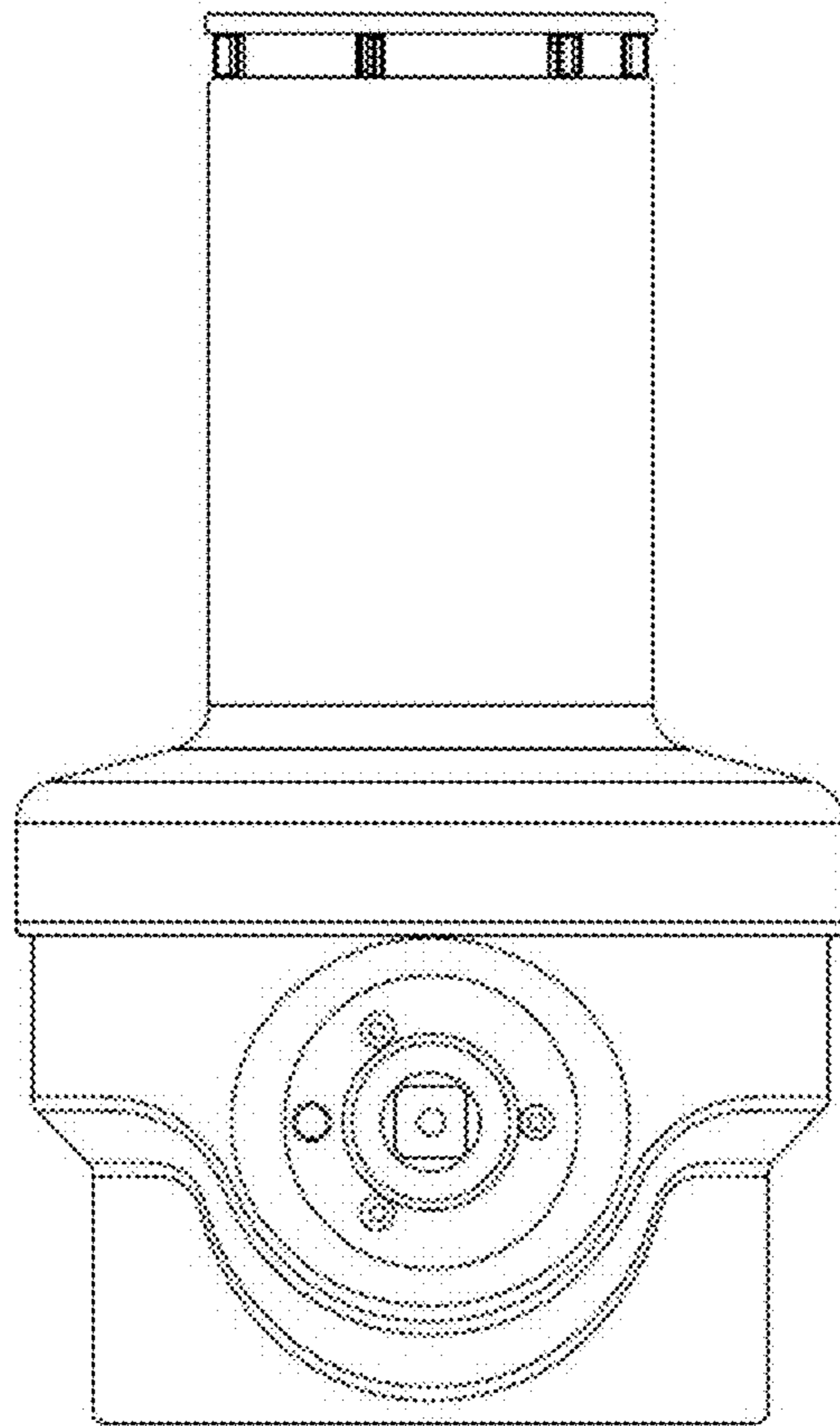


FIG. 4

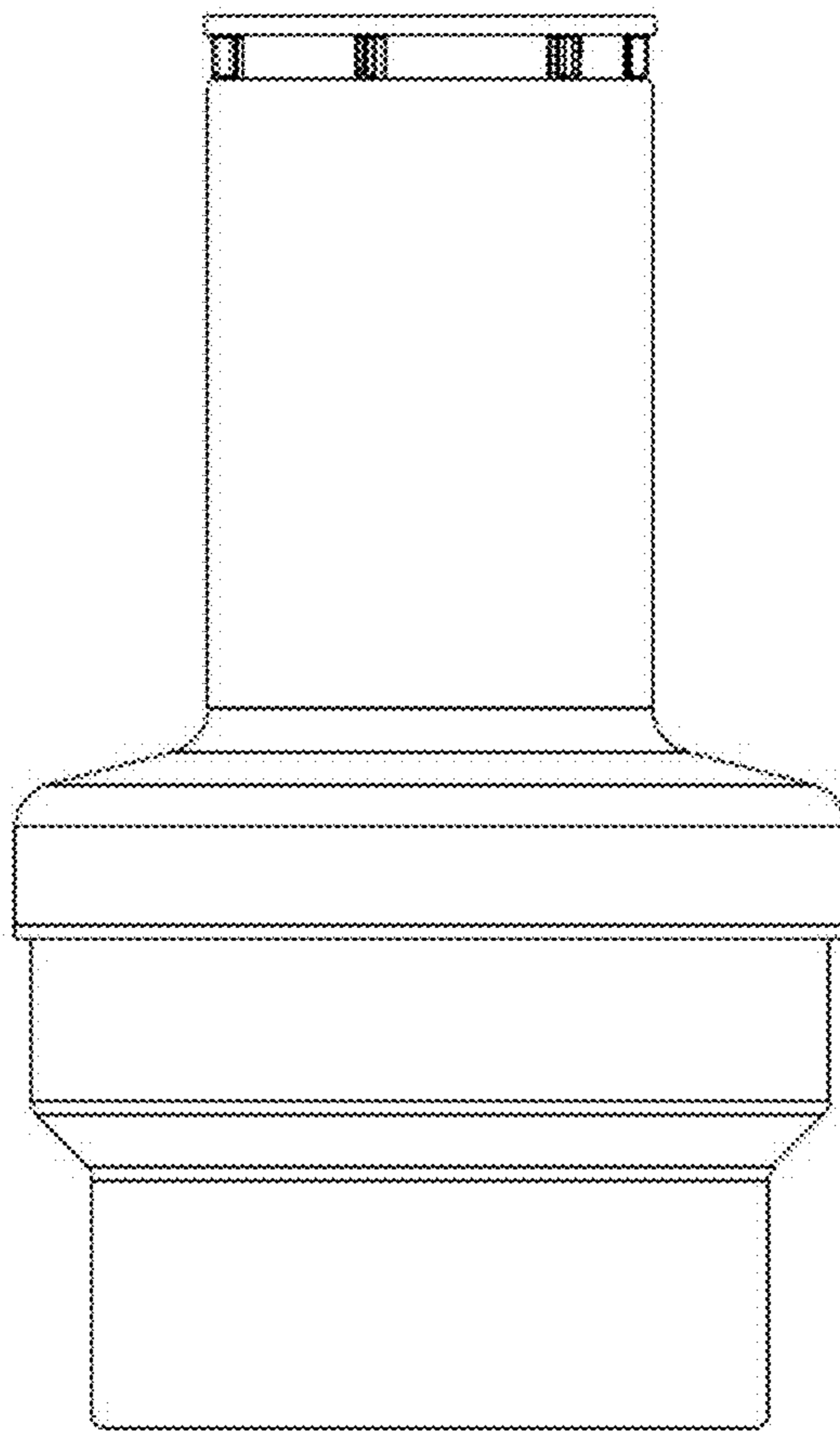


FIG. 5

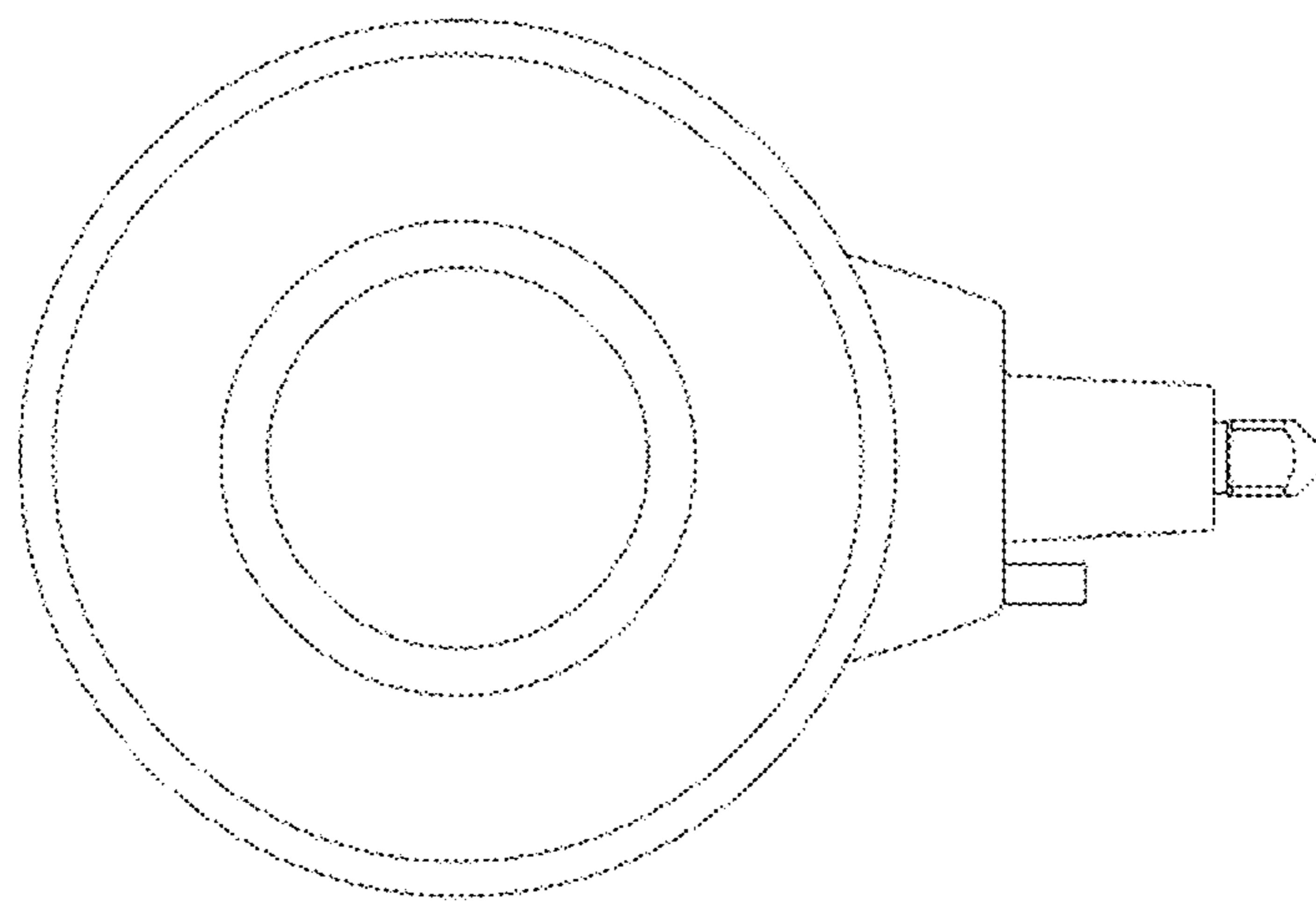


FIG. 6

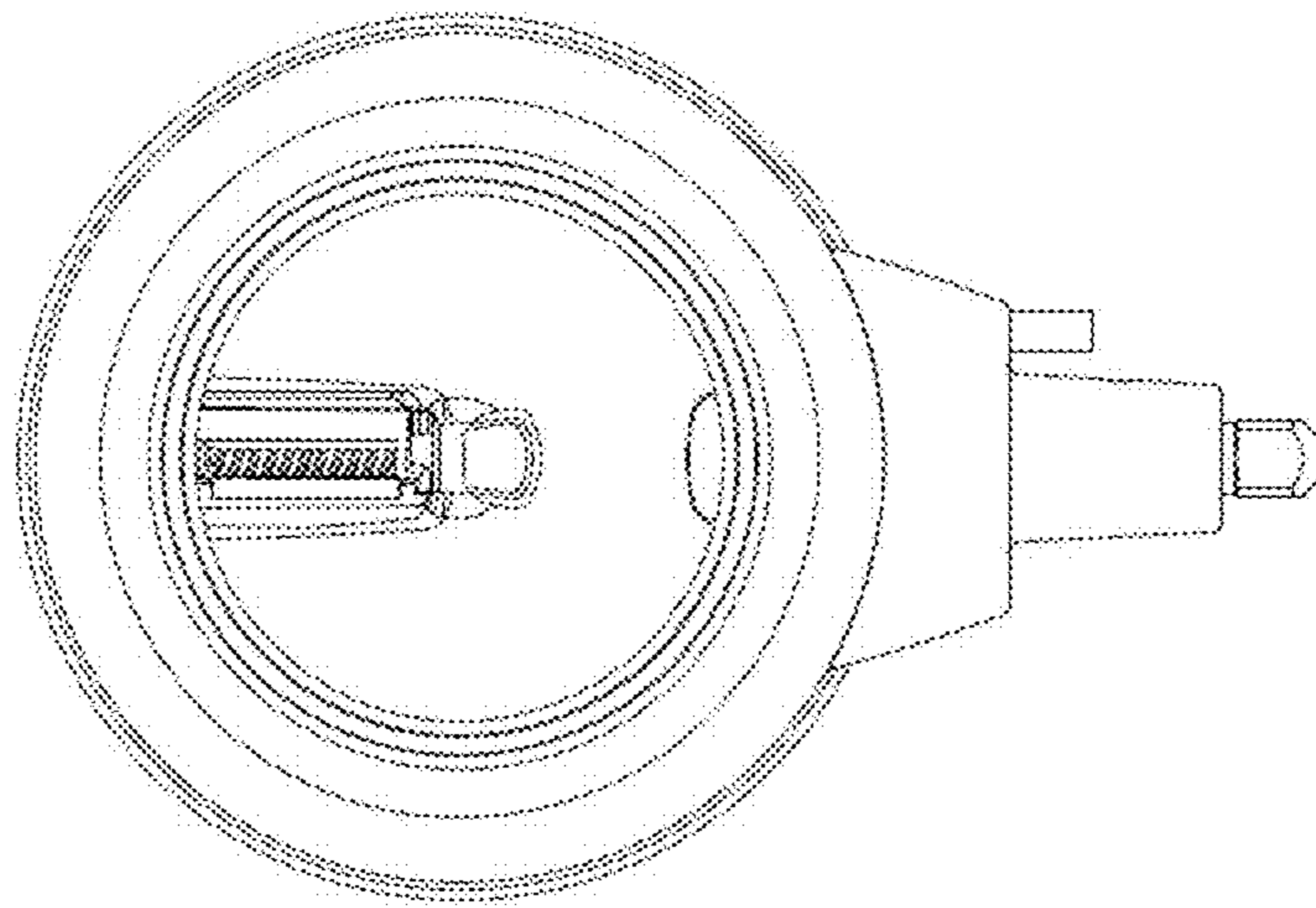


FIG. 7

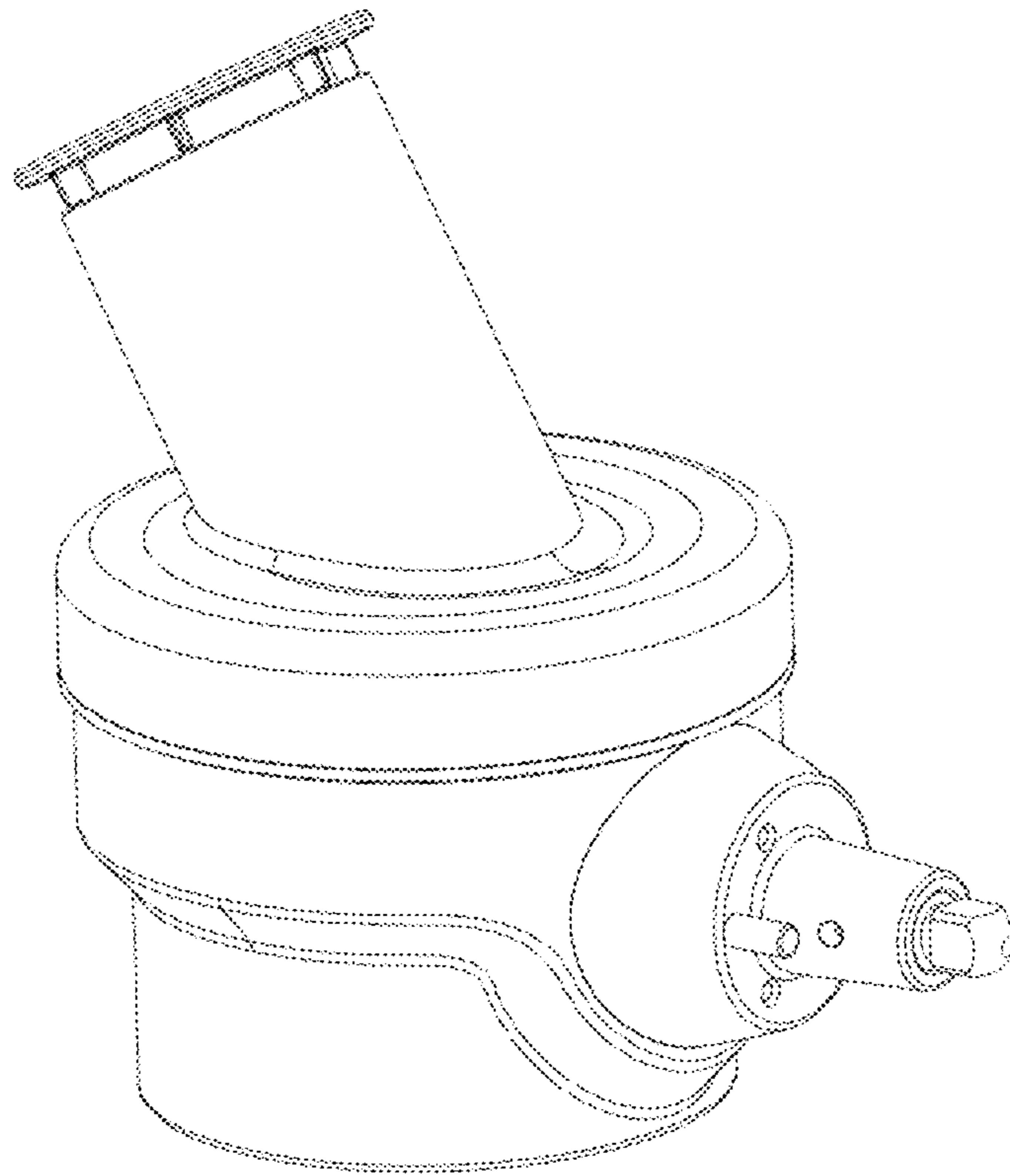


FIG. 8

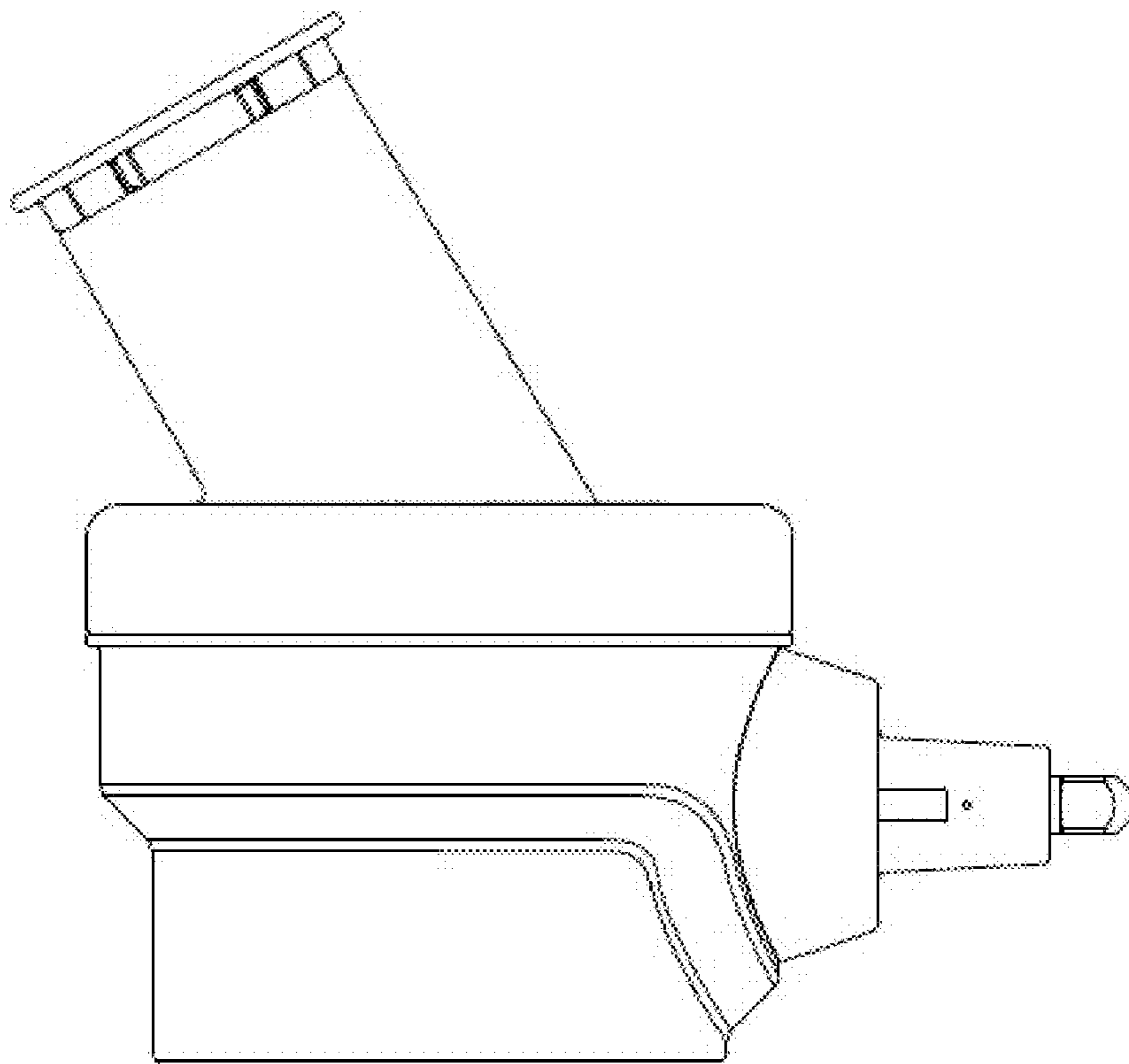


FIG. 9

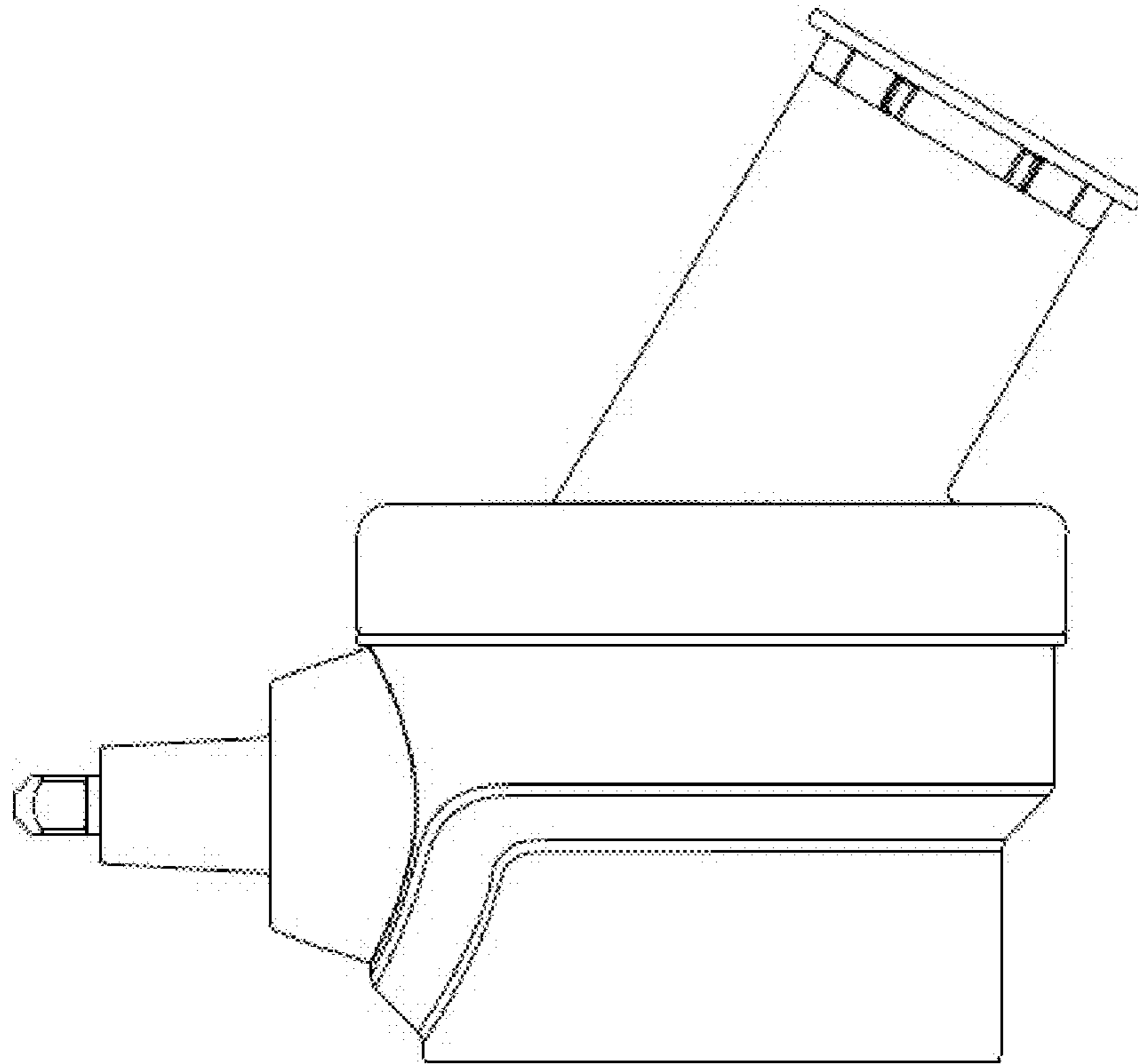


FIG. 10

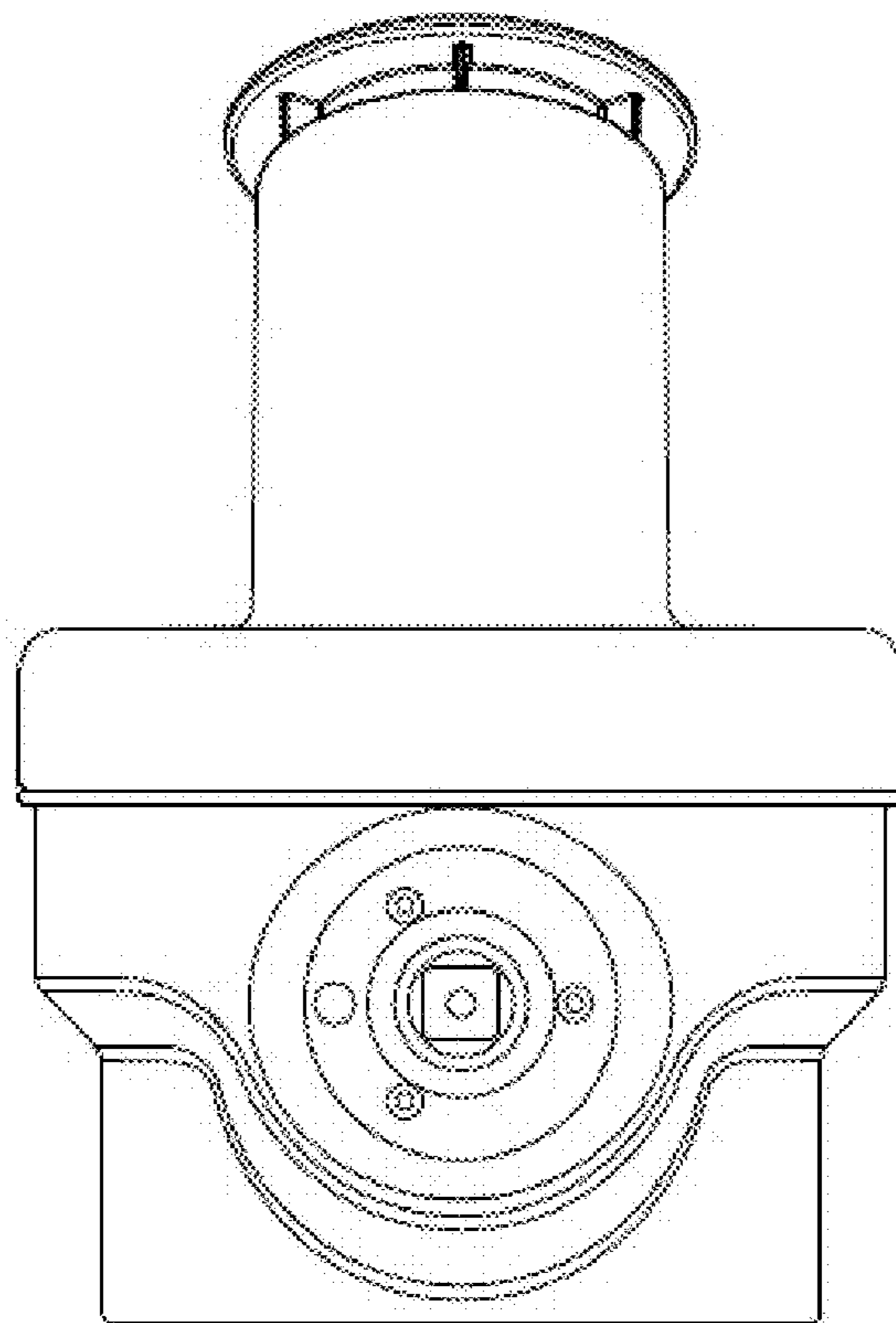


FIG. 11

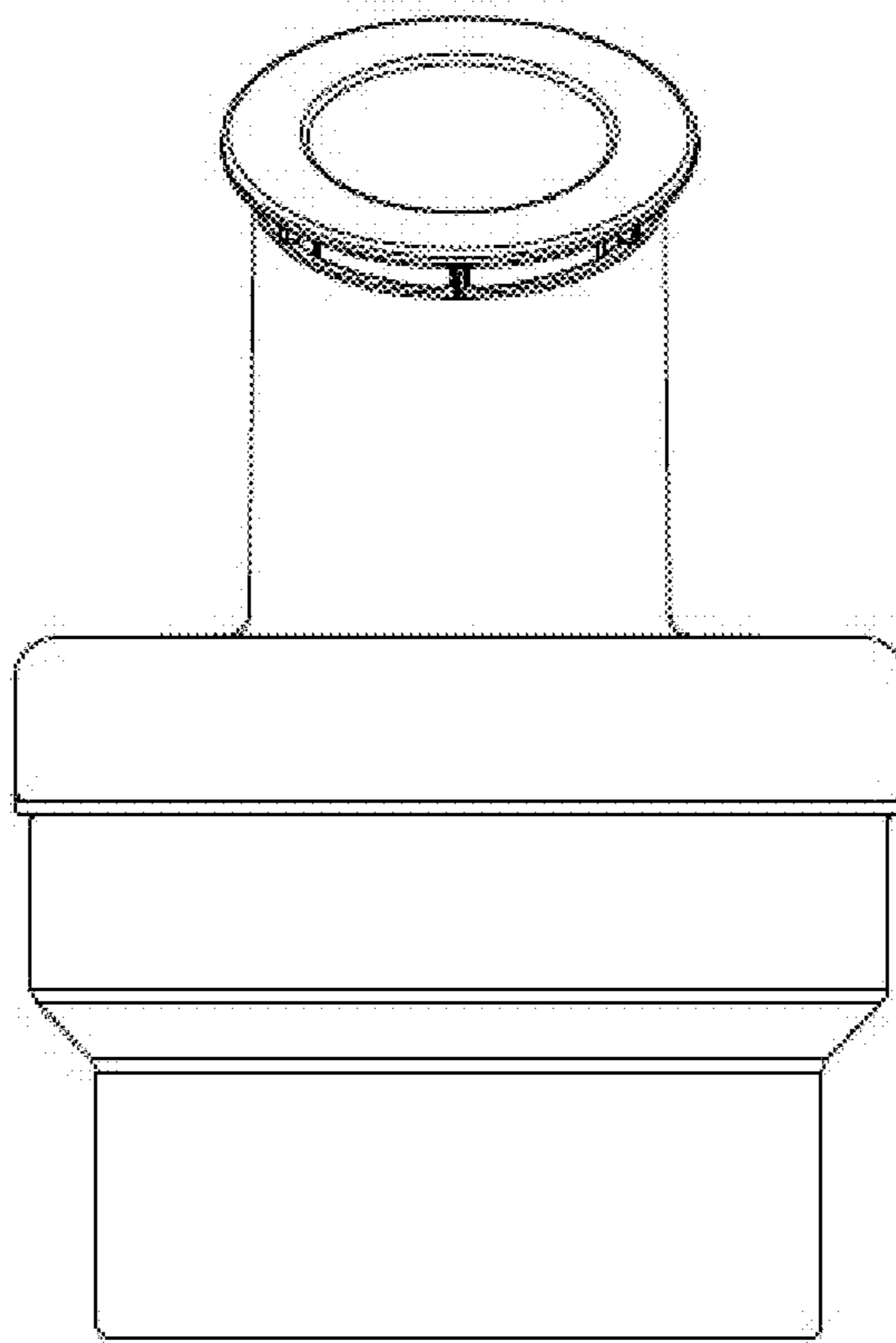


FIG. 12

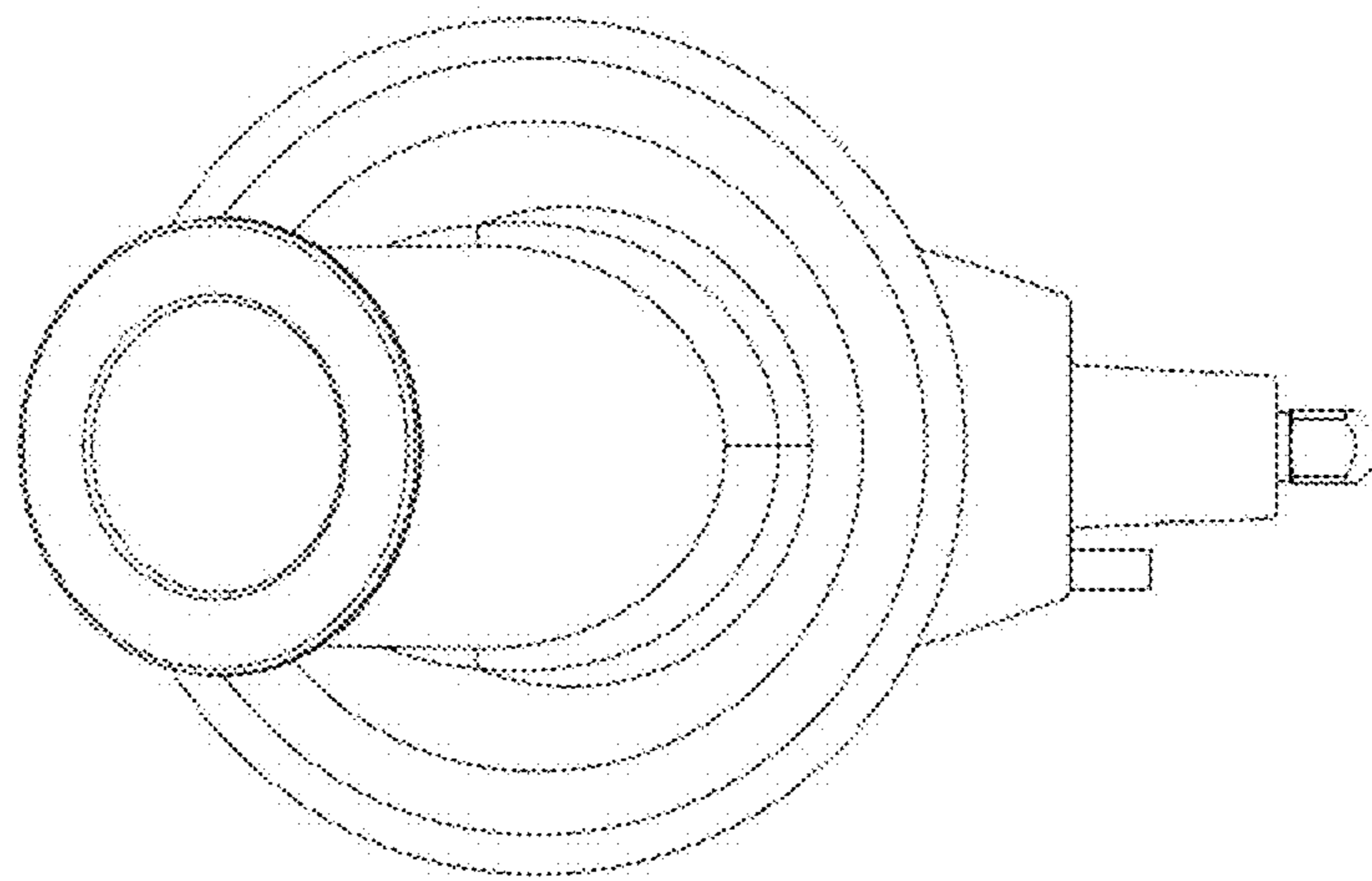


FIG. 13

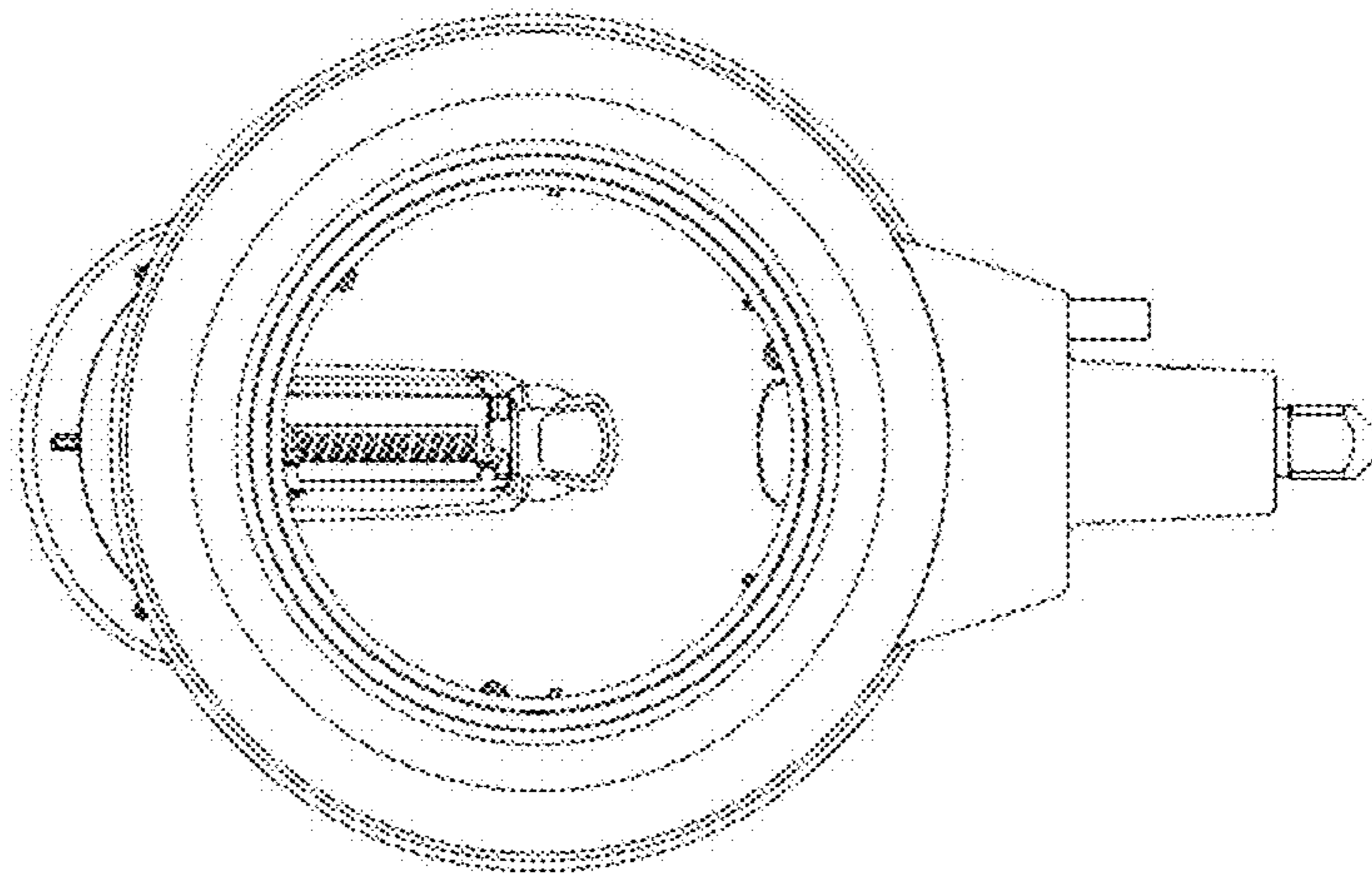


FIG. 14