



US00D848213S

(12) **United States Design Patent**
Cedergren

(10) **Patent No.:** **US D848,213 S**

(45) **Date of Patent:** **** May 14, 2019**

(54) **DISPENSING DEVICE TO DISPENSE LIQUID FOOD**

(71) Applicant: **Asept International AB**, Lund (SE)

(72) Inventor: **Stefan Cedergren**, Bunkeflostrand (SE)

(73) Assignee: **Asept International AB**, Lund (SE)

(**) Term: **15 Years**

(21) Appl. No.: **29/623,652**

(22) Filed: **Oct. 26, 2017**

Related U.S. Application Data

(62) Division of application No. 29/558,225, filed on Mar. 16, 2016, now Pat. No. Des. 804,234.

(51) **LOC (11) Cl.** **07-99**

(52) **U.S. Cl.**
USPC **D7/397**

(58) **Field of Classification Search**
USPC D7/300, 330.1, 302, 303-305, 313, 318, D7/591
CPC .. A47J 43/00; A47J 31/46; A47J 43/08; A47J 44/00
See application file for complete search history.

(56) **References Cited**

U.S. PATENT DOCUMENTS

3,797,521 A * 3/1974 King A61M 5/162
137/202
D403,398 S * 12/1998 Guala D24/112

D569,685 S * 5/2008 Liu D7/387
D581,212 S * 11/2008 Macler D7/397
D596,486 S * 7/2009 Pearsall D10/101
D604,466 S * 11/2009 Gaa D32/29.1
D661,957 S * 6/2012 Lee D7/700
D666,863 S * 9/2012 Fallon D7/300
D687,273 S * 8/2013 Breitenmoser D8/14.1
9,157,838 B2 * 10/2015 Scott G01N 30/14
D773,544 S * 12/2016 Tseng D15/150
D787,871 S * 5/2017 Roso D6/710
D804,234 S * 12/2017 Cedergren D7/305
9,975,751 B2 * 5/2018 Levy B67C 11/02

* cited by examiner

Primary Examiner — Derrick E Holland

Assistant Examiner — Andrew Kerr

(74) *Attorney, Agent, or Firm* — Tarolli, Sundheim, Covell & Tummino LLP

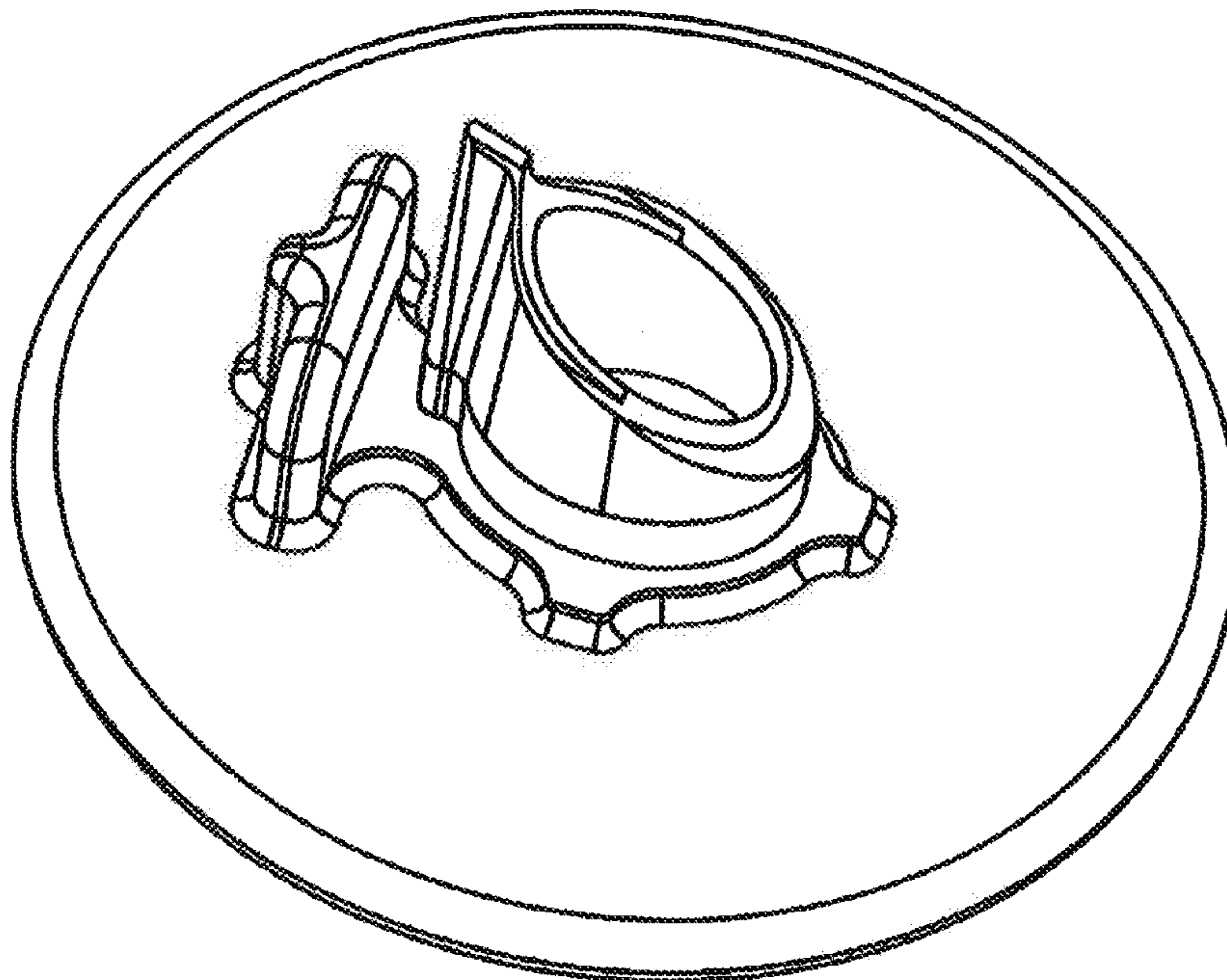
(57) **CLAIM**

I claim the ornamental design for a dispensing device to dispense liquid food, as shown and described.

DESCRIPTION

FIG. 1 is a top perspective view of a dispensing device to dispense liquid food, showing my new design;
FIG. 2 is a bottom perspective view of the dispensing device to dispense liquid food of FIG. 1;
FIG. 3 is a rear side view of the dispensing device to dispense liquid food of FIG. 1;
FIG. 4 is a front side view of the dispensing device to dispense liquid food of FIG. 1; and,
FIG. 5 is a right side view of the dispensing device to dispense liquid food of FIG. 1.

1 Claim, 3 Drawing Sheets



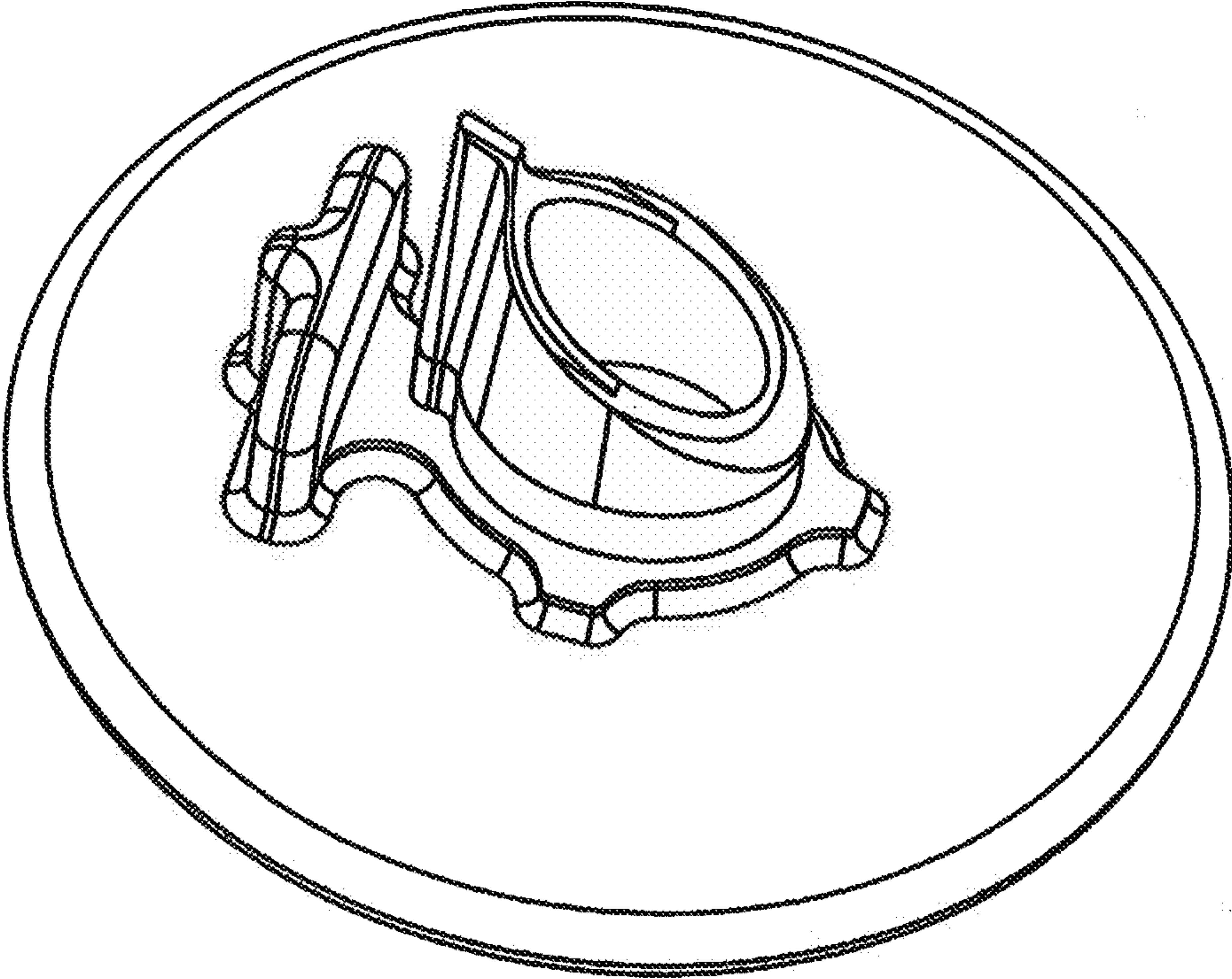


Fig. 1

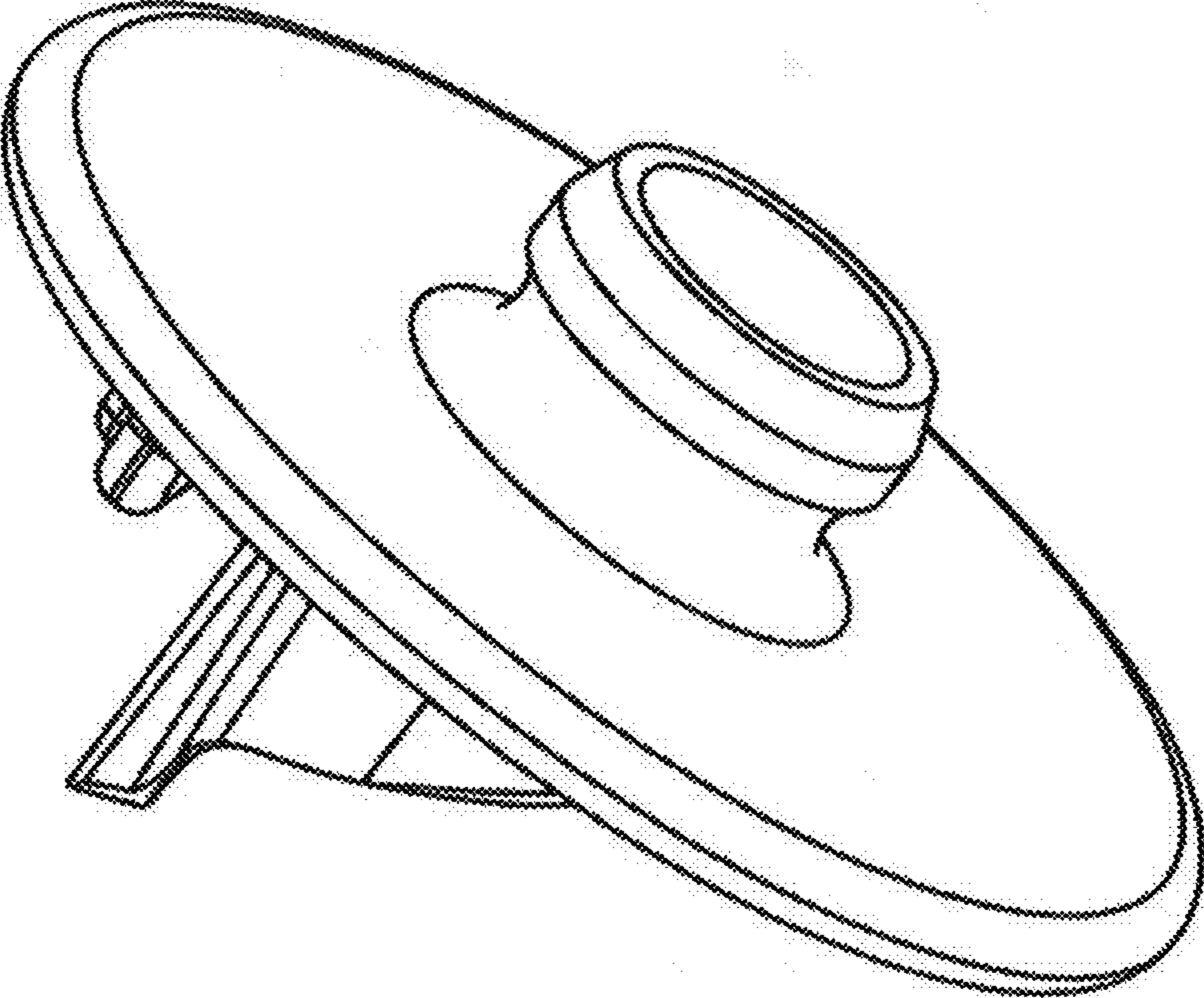


Fig. 2

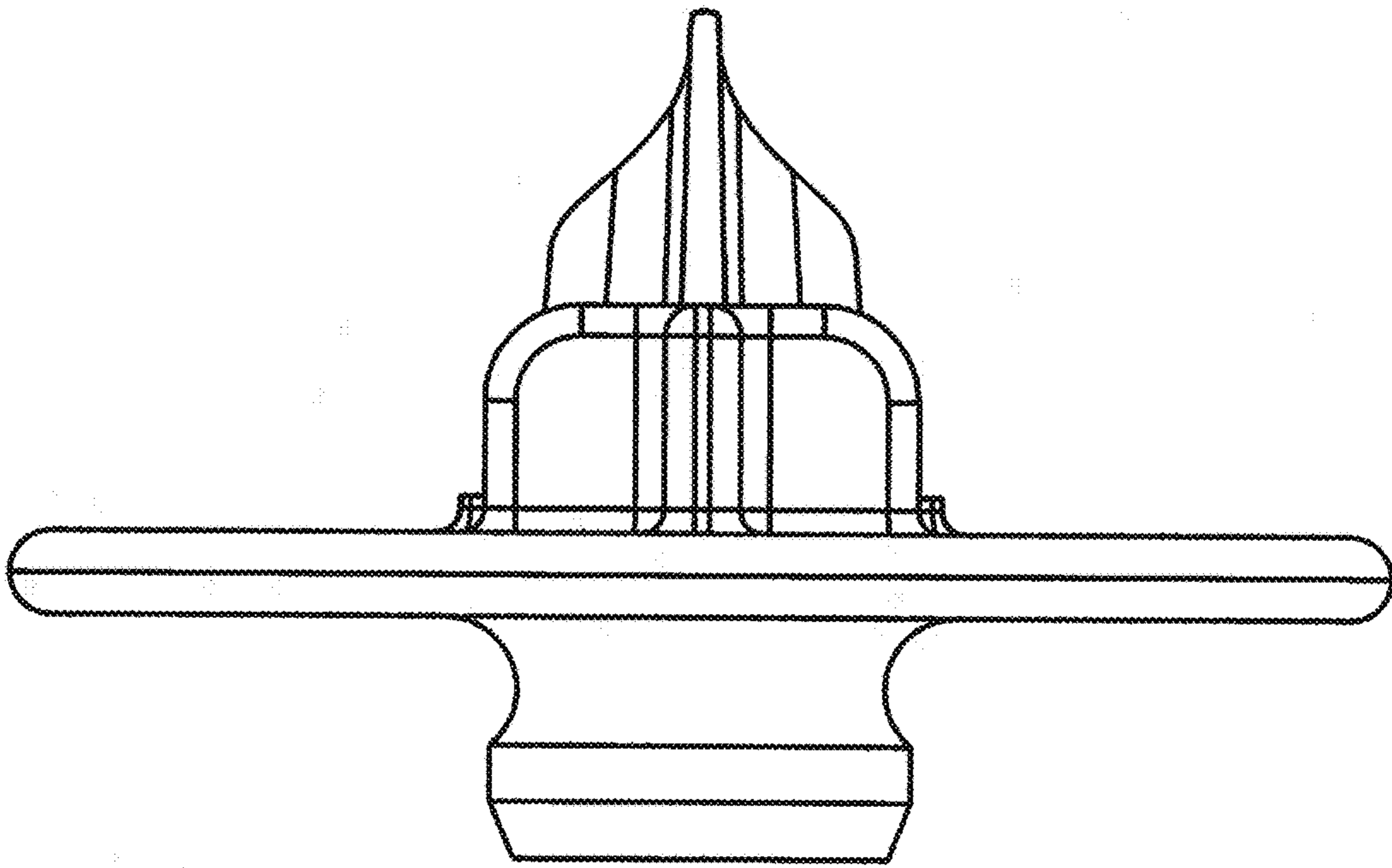


Fig. 3

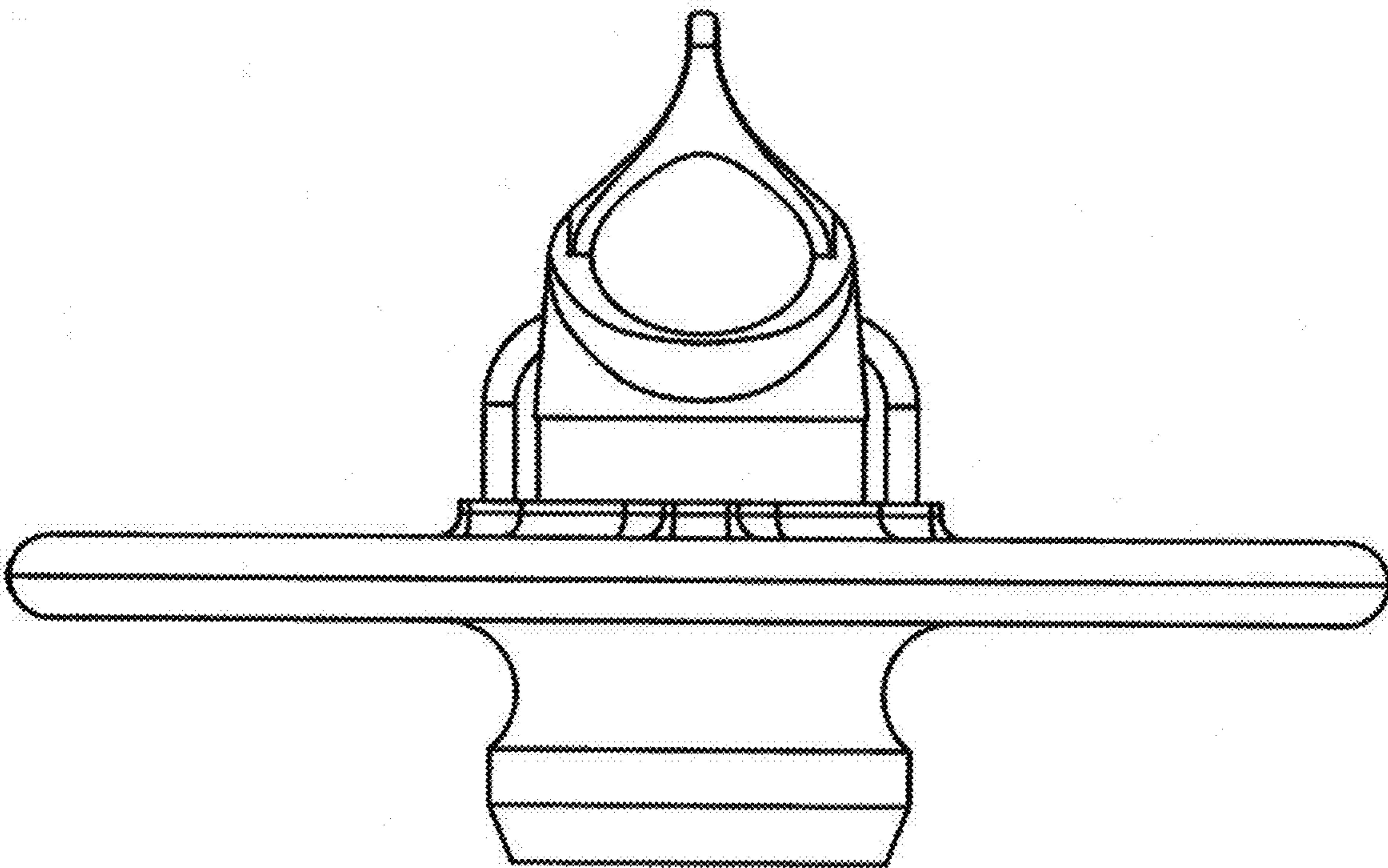


Fig. 4

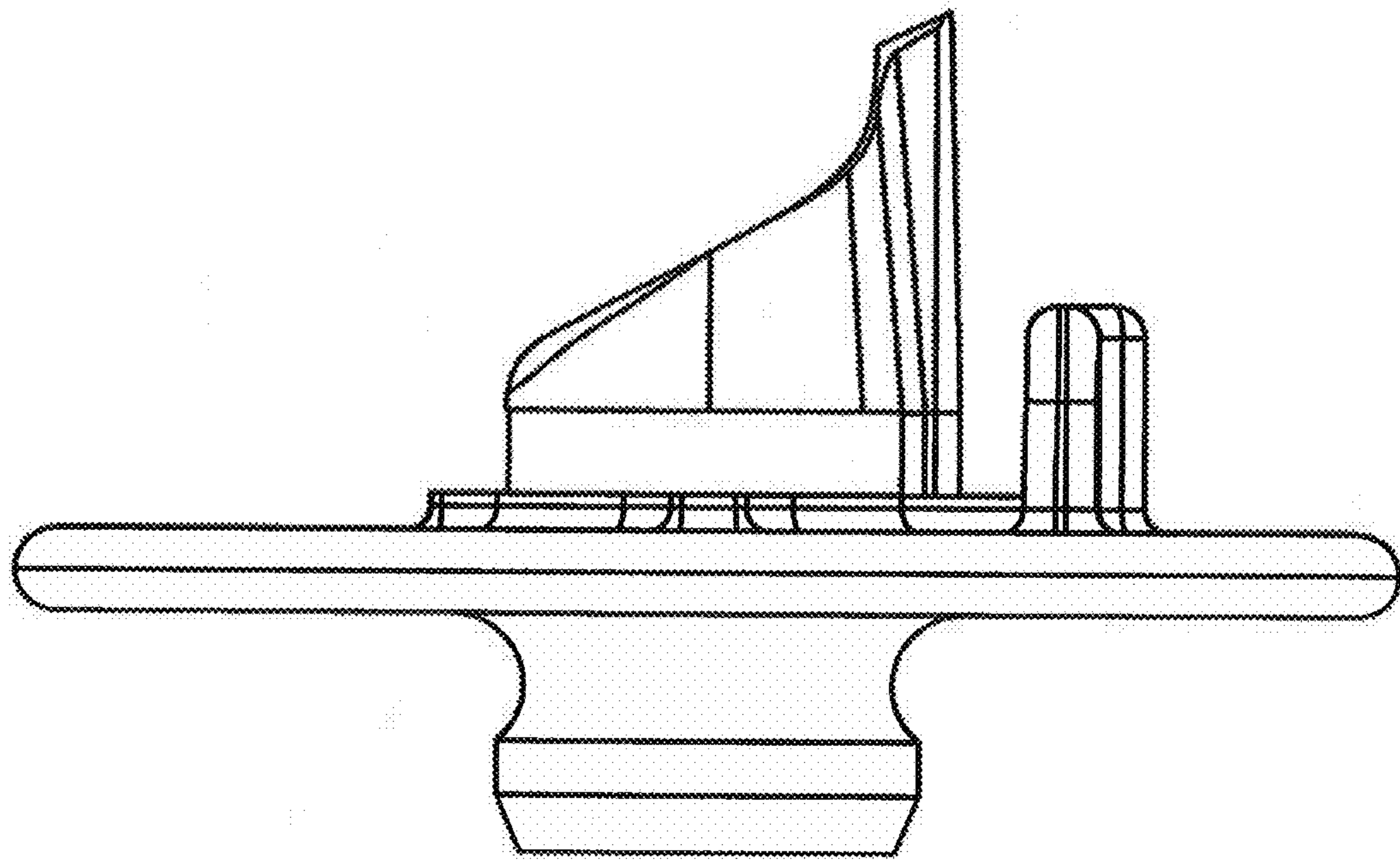


Fig. 5

UNITED STATES PATENT AND TRADEMARK OFFICE
CERTIFICATE OF CORRECTION

PATENT NO. : D848,213 S
APPLICATION NO. : 29/623652
DATED : May 14, 2019
INVENTOR(S) : Stefan Cedergren

Page 1 of 1

It is certified that error appears in the above-identified patent and that said Letters Patent is hereby corrected as shown below:

On the Title Page

Insert item (30), Foreign Application Priority Data:
--EP 002773895 filed on Sep 16, 2015--

Signed and Sealed this
First Day of October, 2019



Andrei Iancu
Director of the United States Patent and Trademark Office