



US00D848212S

(12) **United States Design Patent** (10) **Patent No.:** **US D848,212 S**
Mohammed et al. (45) **Date of Patent:** **** May 14, 2019**

- (54) **FROZEN BEVERAGE DISPENSER** 3,626,709 A * 12/1971 Yuza A23G 9/045
222/129.4
- (71) Applicant: **The Vollrath Company, L.L.C.,** D257,364 S * 10/1980 Molenaar D21/458
Sheboygan, WI (US) D261,890 S * 11/1981 Caspersen D15/81
4,364,666 A * 12/1982 Keyes A23G 9/12
116/227
- (72) Inventors: **Aamer Mohammed,** Manitowoc, WI D298,434 S * 11/1988 Makihara D15/80
(US); **Ken Wetenkamp,** Plymouth, WI 5,025,840 A * 6/1991 Tacke A23G 9/163
(US) 141/251
- (73) Assignee: **The Vollrath Company, L.L.C.,** D331,785 S * 12/1992 Mast D21/458
Sheboygan, WI (US) 5,192,909 A * 3/1993 Hardy G01R 33/446
324/307

(Continued)

- (**) Term: **15 Years**
- (21) Appl. No.: **29/603,712**
- (22) Filed: **May 11, 2017**

Related U.S. Application Data

- (62) Division of application No. 29/541,359, filed on Oct. 2, 2015, now Pat. No. Des. 789,141.
- (51) **LOC (11) Cl.** **07-99**
- (52) **U.S. Cl.**
USPC **D7/397; D7/306; D15/82**
- (58) **Field of Classification Search**
USPC D7/306-311, 305, 300, 313, 397, 374,
D7/412, 370, 371, 376; 99/279, 284,
99/290, 280, 299, 307, 323.1, 305;
222/146.5, 129.1, 144.5; 62/395; D20/1;
700/239; D15/80, 82; D21/458
CPC A47J 31/44; A47J 31/00; B67D 1/0041;
B67D 3/00; B67D 1/0004; B67D 1/0891;
A23G 9/045; A43G 9/12; G06F 17/00
See application file for complete search history.

(56) **References Cited**

U.S. PATENT DOCUMENTS

- D122,118 S * 8/1940 Huber D15/82
- D128,674 S * 8/1941 Erickson et al. D15/82

OTHER PUBLICATIONS

Stoelting, A Vollrath Company, Frozen Uncarbonated Beverage Dispensers, Stoelting Foodservice Equipment, Feb. 17, 2015, 2 pages.

(Continued)

Primary Examiner — Marianne N Pandozzi
(74) *Attorney, Agent, or Firm* — Foley & Lardner LLP

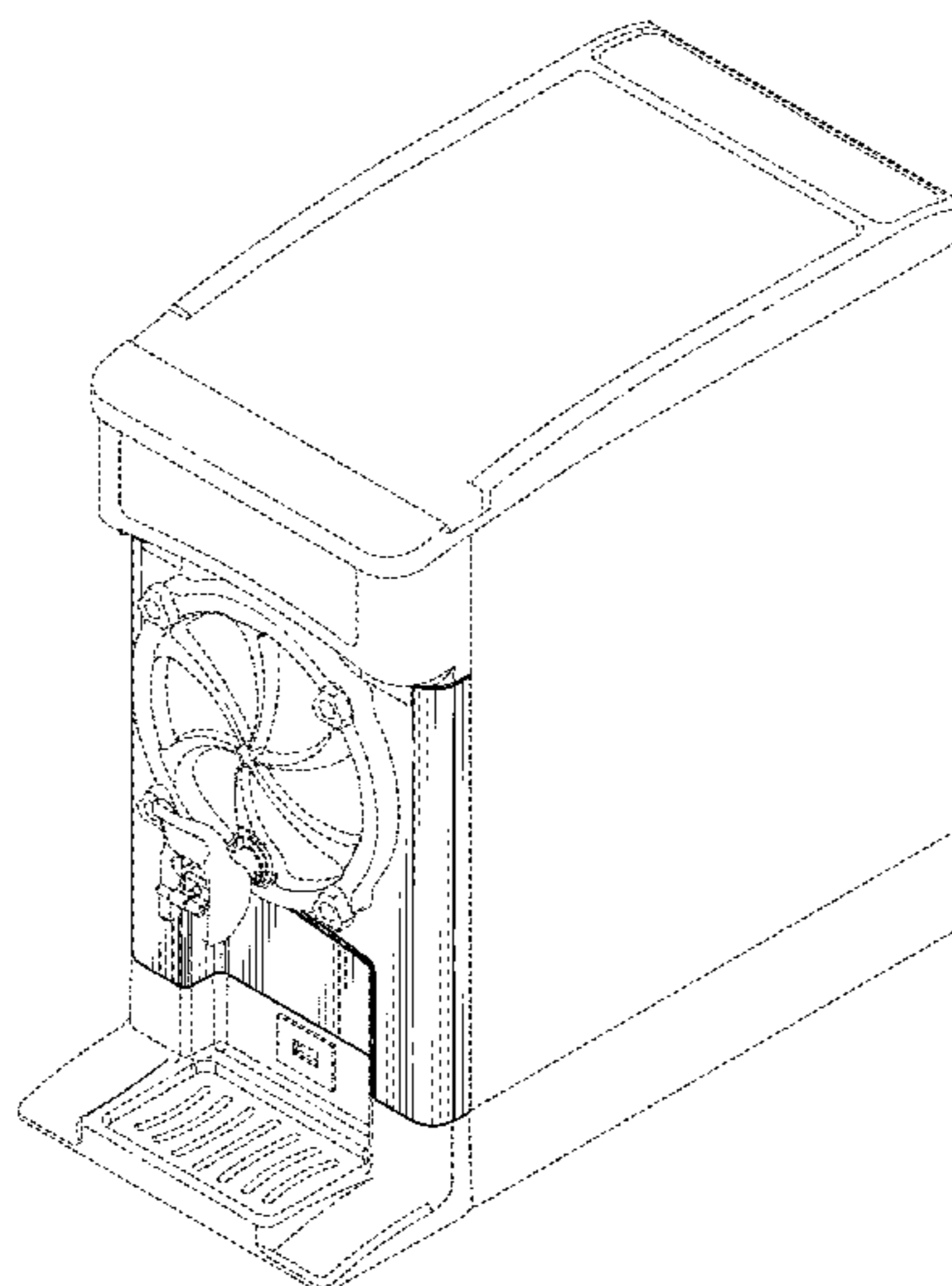
(57) **CLAIM**

We claim the ornamental design for a frozen beverage dispenser, as shown and described.

DESCRIPTION

FIG. 1 is a perspective view of a frozen beverage dispenser showing our new design;
FIG. 2 is a front view of the claimed design of FIG. 1;
FIG. 3 is a rear view of the claimed design of FIG. 1;
FIG. 4 is a right side view of the claimed design of FIG. 1;
FIG. 5 is a left side view of the claimed design of FIG. 1;
and,
FIG. 6 is a top view of the claimed design of FIG. 1, the bottom view forms no part of the claimed design.
The broken lines in the drawing depict portions of the frozen beverage dispenser that form no part of the claimed design.

1 Claim, 5 Drawing Sheets



(56)

References Cited

U.S. PATENT DOCUMENTS

D373,280 S * 9/1996 Johnson D7/306
5,709,095 A * 1/1998 Johnson A23G 9/045
366/311
6,419,121 B1 * 7/2002 Gutierrez B67D 1/0004
222/146.5
D461,991 S * 8/2002 Cunha D7/307
D485,566 S * 1/2004 Ledingham D15/82
D590,265 S * 4/2009 Lablaine D9/541
D605,043 S * 12/2009 Lablaine D9/516
7,932,663 B2 * 4/2011 Yoon H01L 41/107
310/359
D651,619 S * 1/2012 Salin D15/82
D668,912 S * 10/2012 Haggerty D7/412
8,335,587 B2 * 12/2012 Feola A23G 9/08
700/232
D694,287 S * 11/2013 Salin D15/82
2015/0097001 A1 * 4/2015 Gatipon B67D 1/0857
222/108

OTHER PUBLICATIONS

Stoelting, A Vollrath Company, L.L.C., Enhance the Appeal of Your Frozen Beverage Menu, Frozen Uncarbonated Beverage Dispensers, available at least as early as Jan. 1, 2015, 1 page.

* cited by examiner

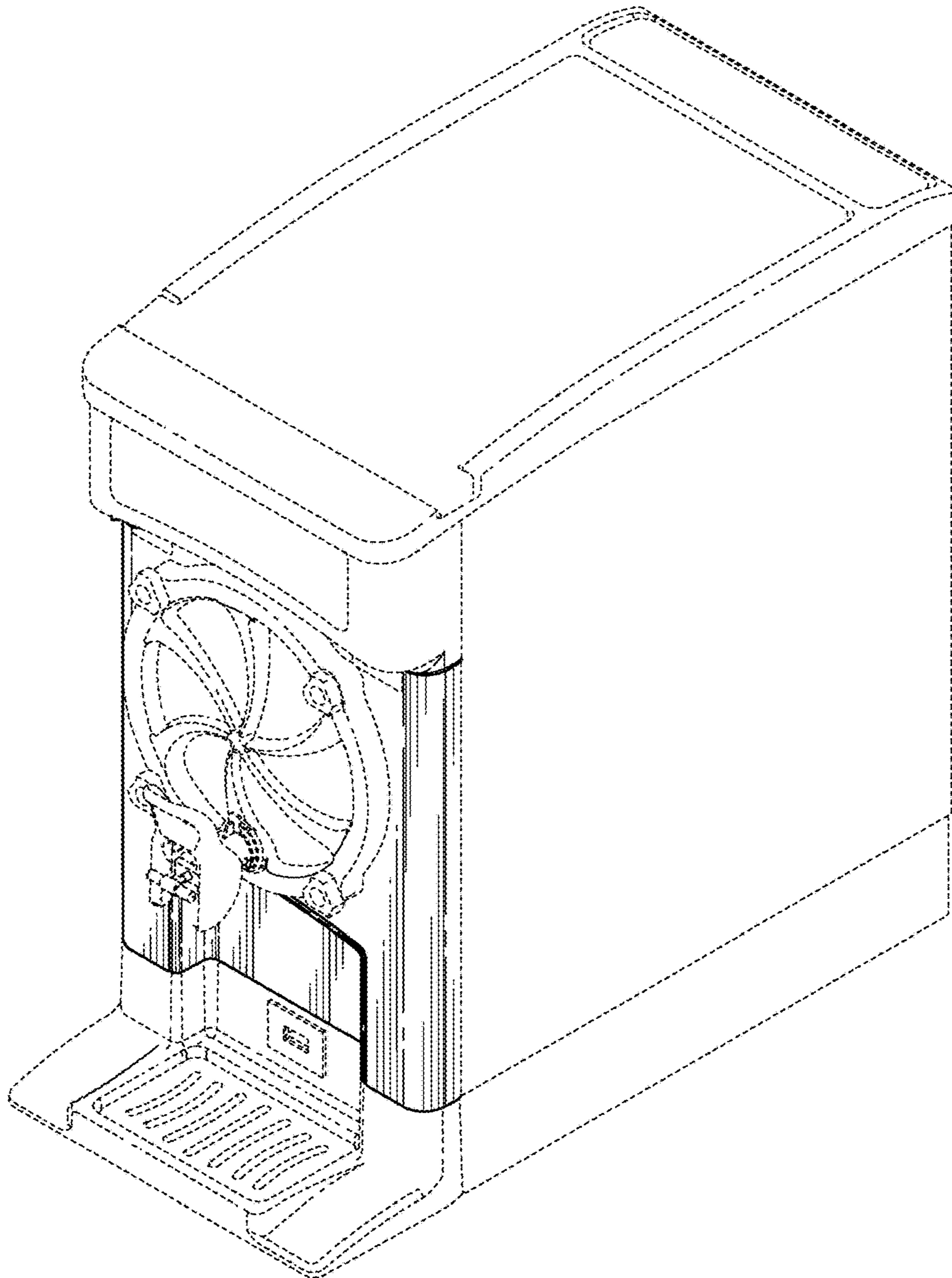


FIG. 1

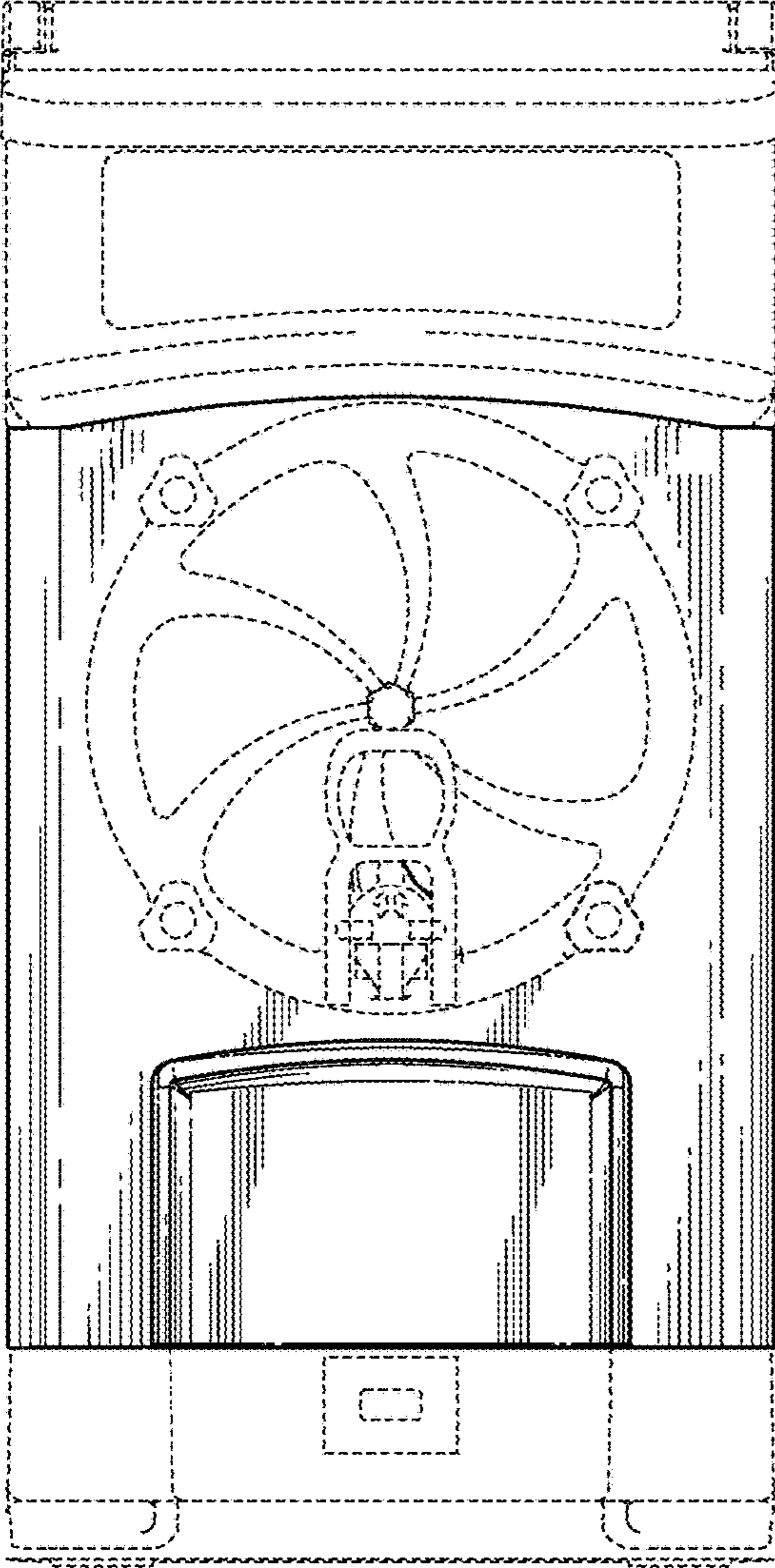


FIG. 2

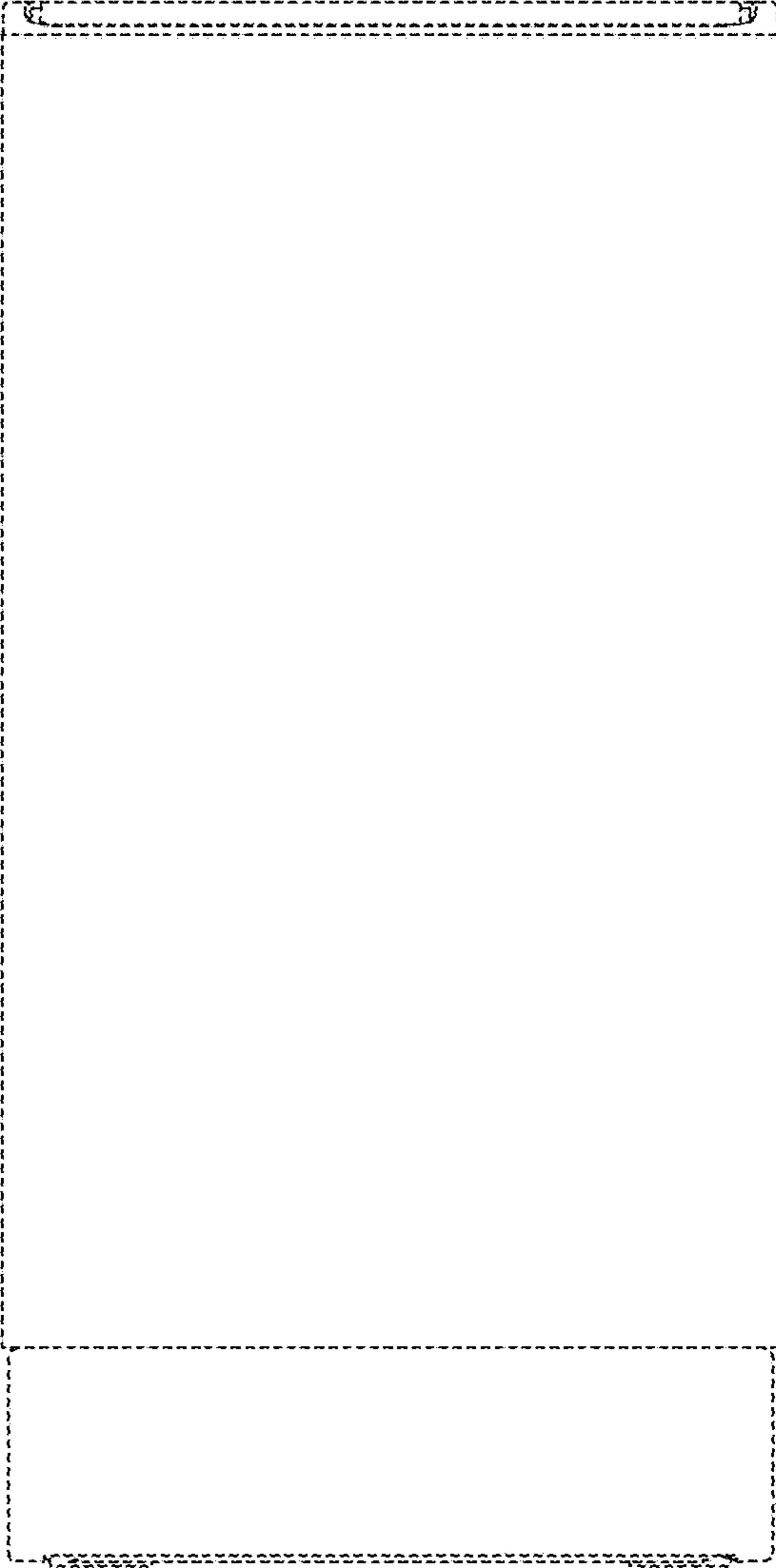


FIG. 3

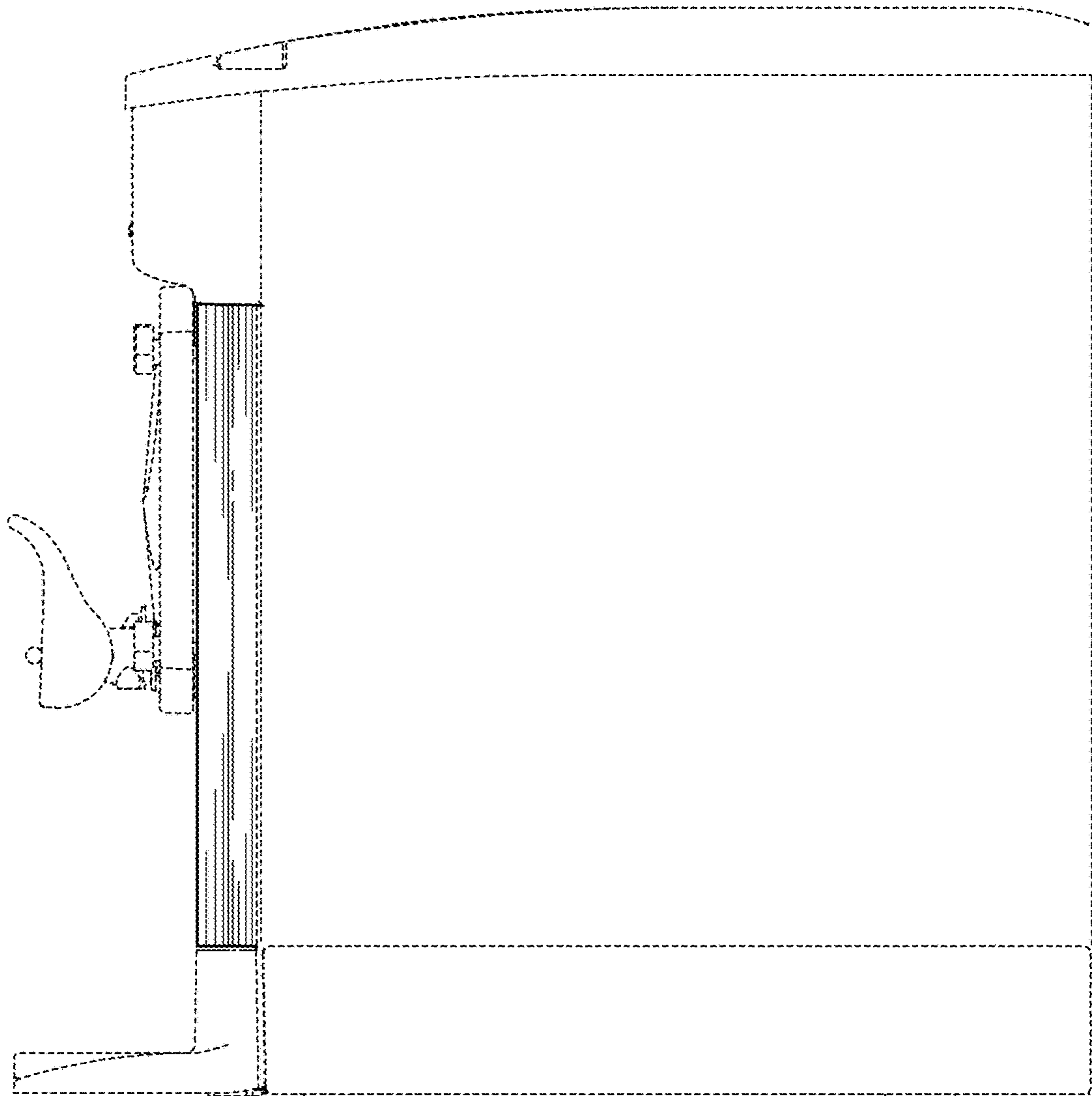


FIG. 4

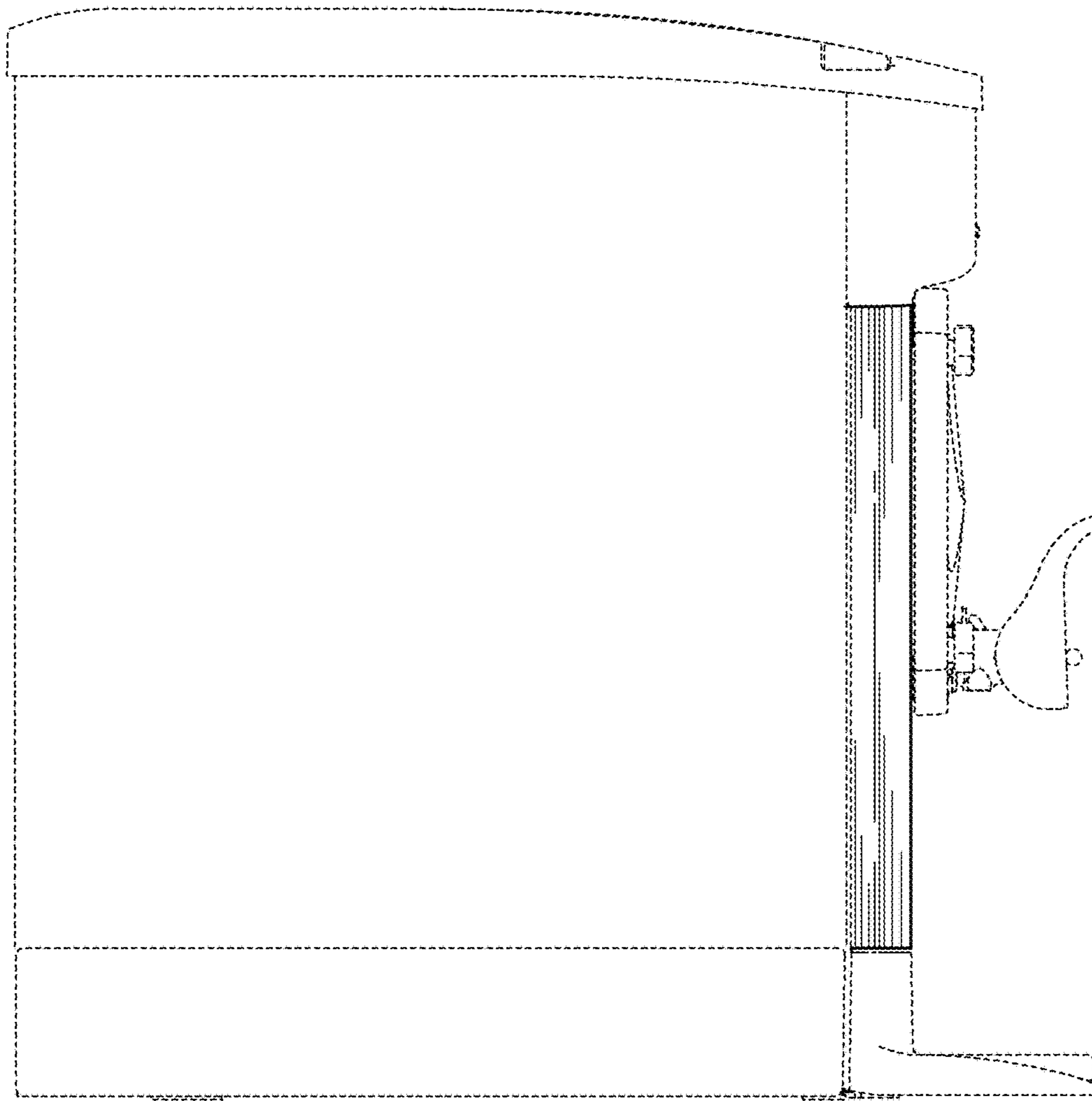


FIG. 5

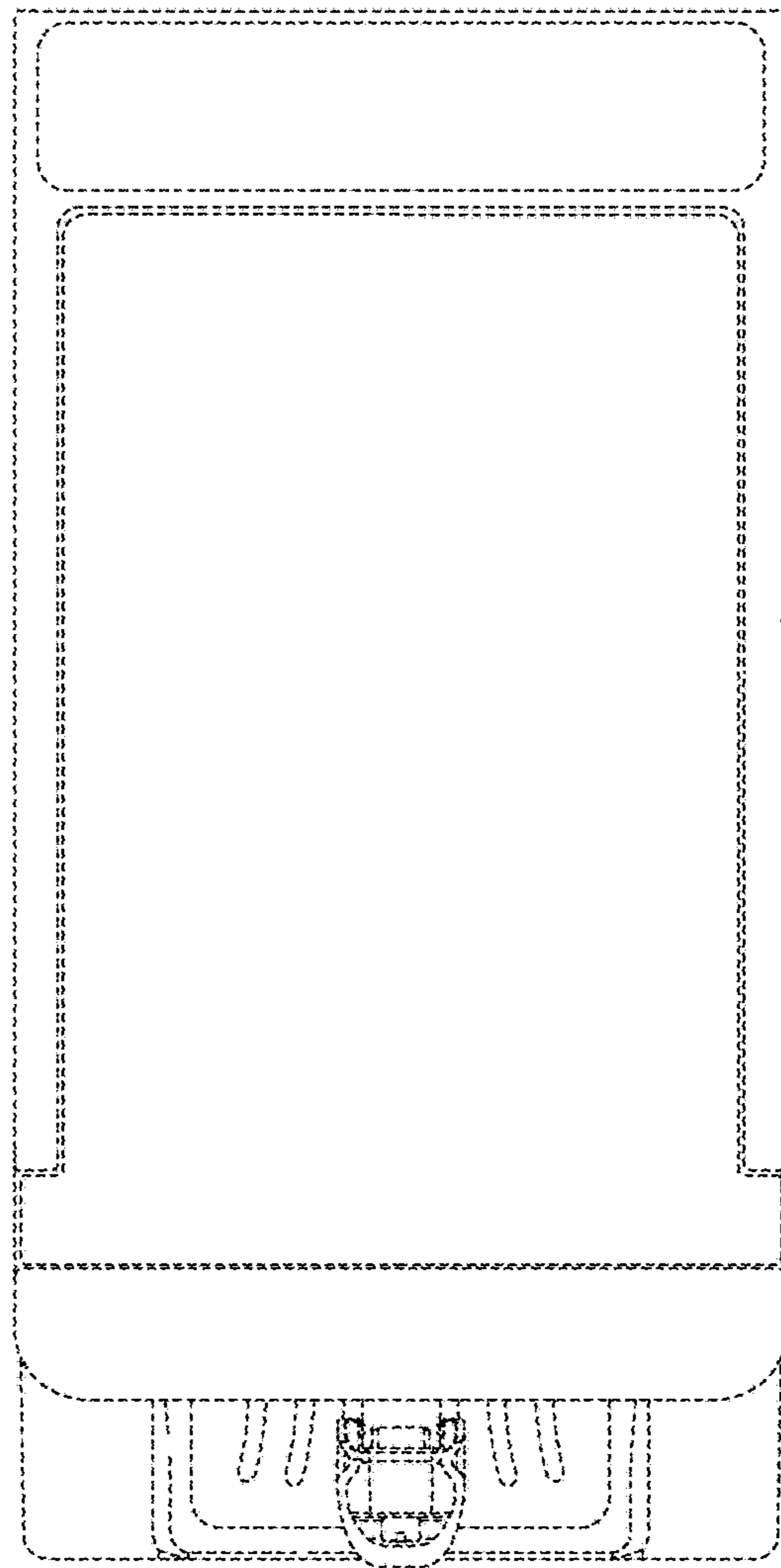


FIG. 6