



US00D848208S

(12) **United States Design Patent** (10) **Patent No.:** **US D848,208 S**  
**Medford et al.** (45) **Date of Patent:** **\*\* May 14, 2019**

(54) **WINE SKIRT**

D787,683 S \* 5/2017 Martin ..... D10/60  
2007/0125791 A1\* 6/2007 Donnelly ..... B65D 81/3888  
220/737  
2009/0071581 A1\* 3/2009 Britt ..... B65D 81/3865  
150/154

(71) Applicants: **Barbara Medford**, Mesa, AZ (US);  
**Elliott Medford**, Mesa, AZ (US)

(72) Inventors: **Barbara Medford**, Mesa, AZ (US);  
**Elliott Medford**, Mesa, AZ (US)

\* cited by examiner

(\*\*) Term: **15 Years**

*Primary Examiner* — Ian Simmons  
*Assistant Examiner* — Andrew Kerr

(21) Appl. No.: **29/574,313**

(74) *Attorney, Agent, or Firm* — Furr Law Firm; Jeffrey  
Furr, Esq.

(22) Filed: **Aug. 13, 2016**

(51) **LOC (11) Cl.** ..... **07-99**

(57) **CLAIM**

(52) **U.S. Cl.**  
USPC ..... **D7/396.2**

The ornamental design for a wine skirt, as shown and  
described.

(58) **Field of Classification Search**  
USPC ..... D7/387, 396.1, 396.2, 509, 514, 524,  
D7/537, 538, 540, 900; D9/434, 435,  
D9/451, 530  
CPC ..... B65D 47/127; B65D 47/12  
See application file for complete search history.

**DESCRIPTION**

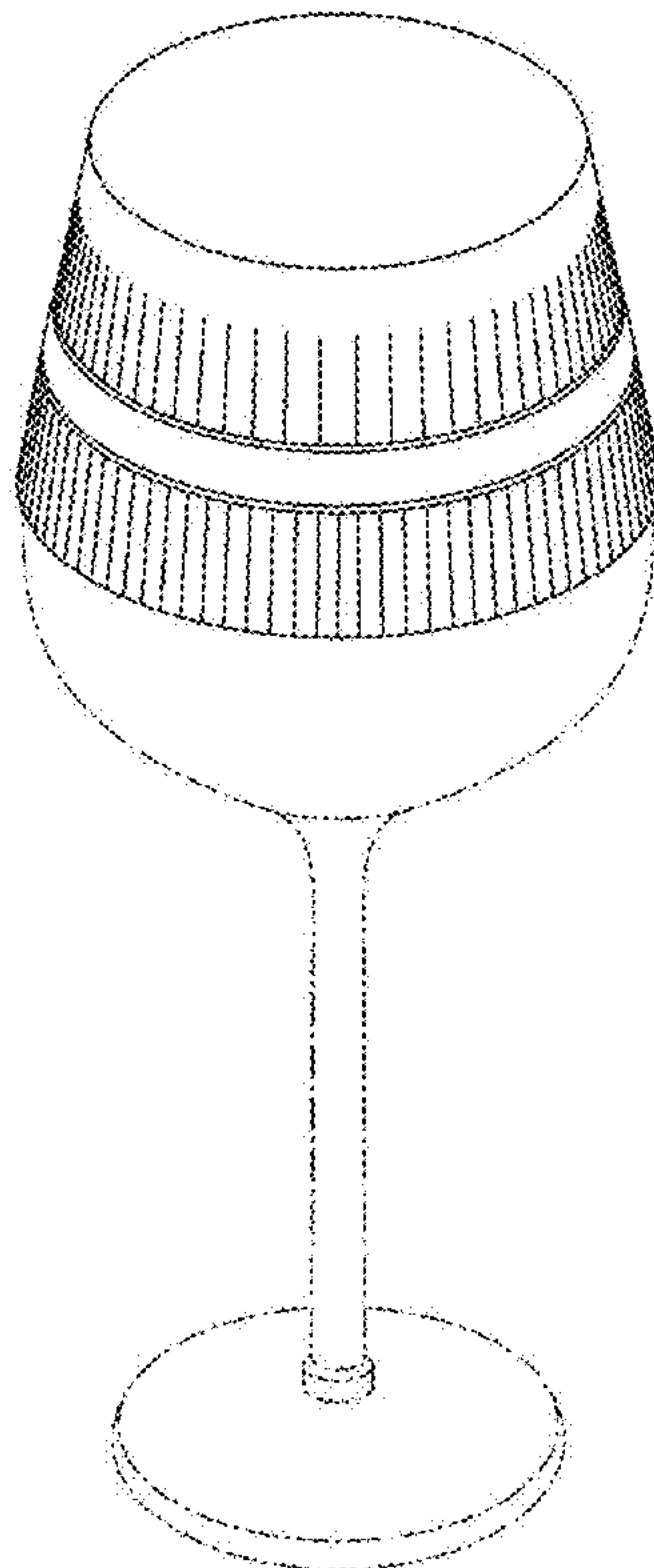
FIG. 1 is a perspective view of the wine skirt showing our  
new design thereof;  
FIG. 2 is a side view thereof;  
FIG. 3 is a top view thereof; and,  
FIG. 4 is a bottom perspective view thereof.  
The glass shown in broken lines in the drawing views  
represents unclaimed portions of a wine skirt which are  
included for the purpose of illustrating unclaimed environ-  
ment only, and forms no part of the claimed design.

(56) **References Cited**

U.S. PATENT DOCUMENTS

D519,783 S \* 5/2006 Lambert ..... D7/510  
D624,366 S \* 9/2010 Sherron ..... D7/607  
D655,137 S \* 3/2012 Sherron ..... D7/607  
D701,726 S \* 4/2014 Alexander ..... D7/392.1

**1 Claim, 4 Drawing Sheets**



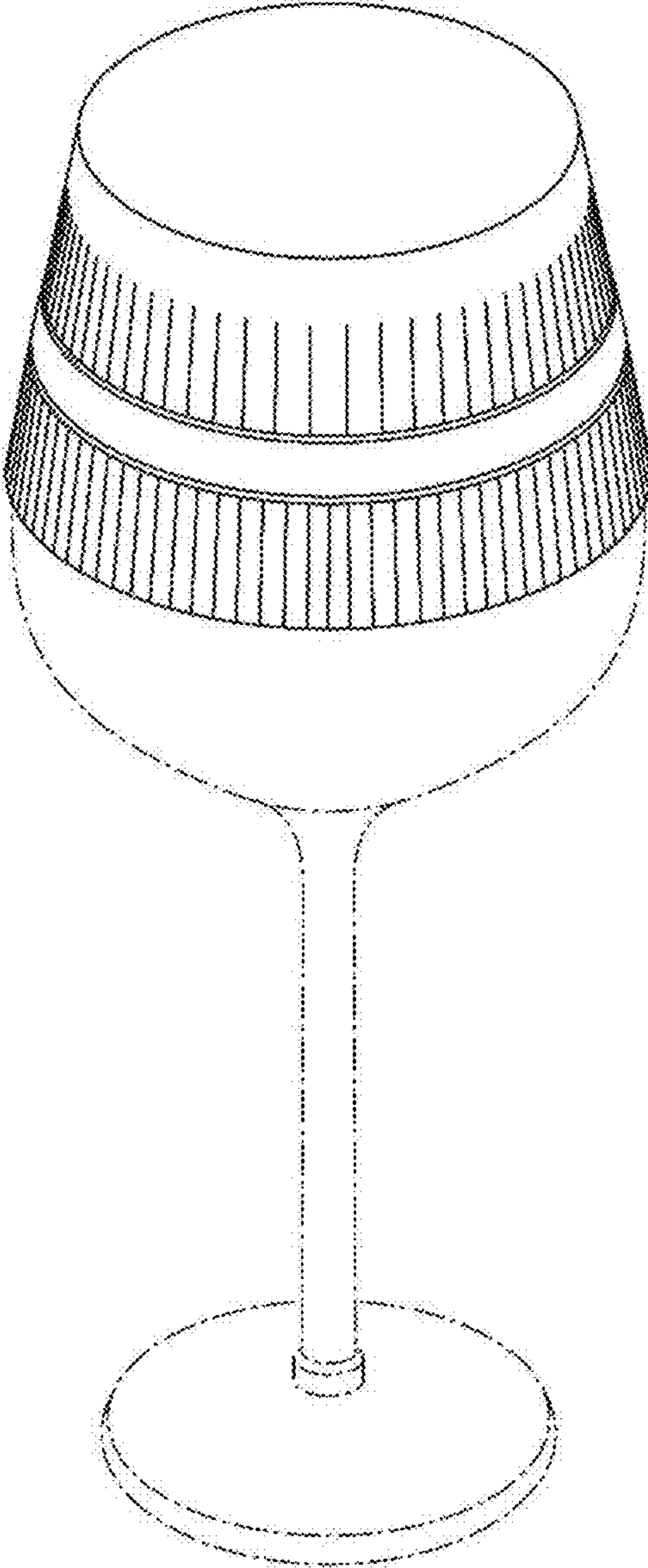


FIG. 1

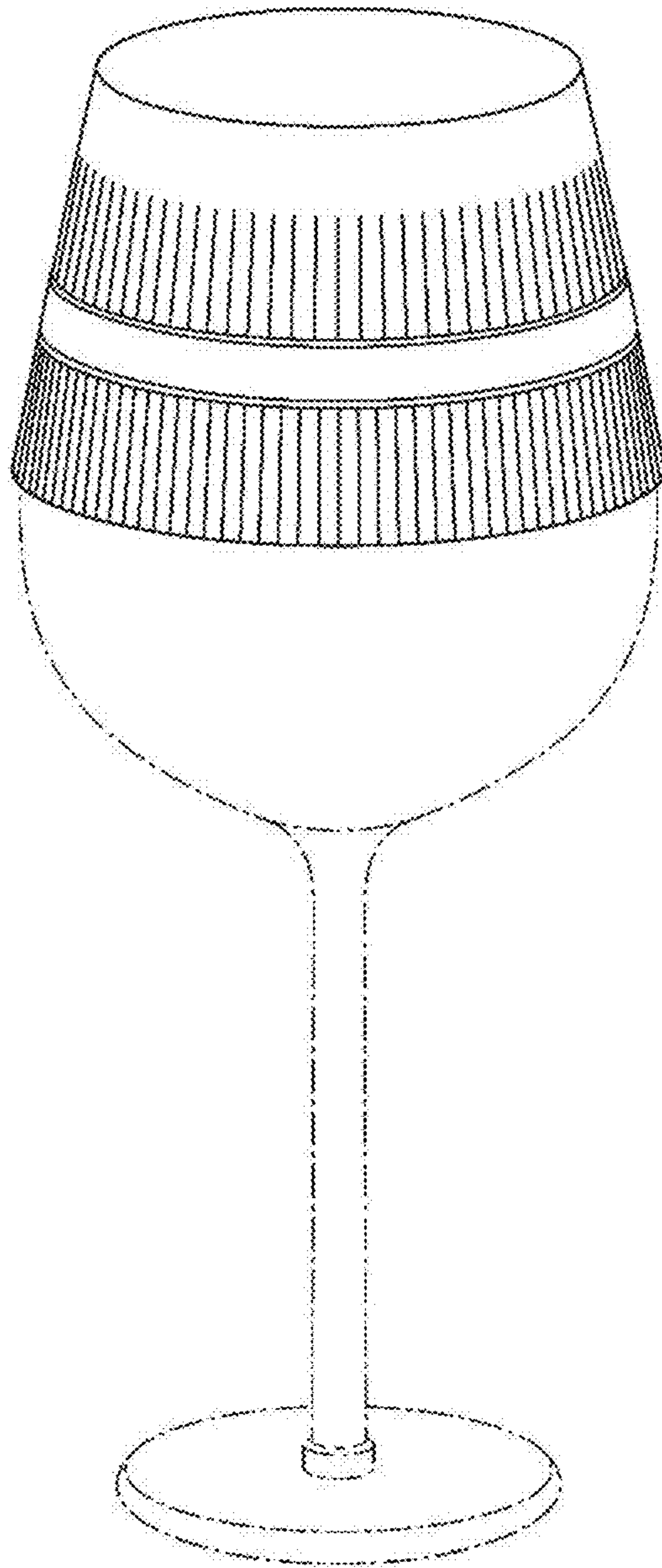


FIG. 2

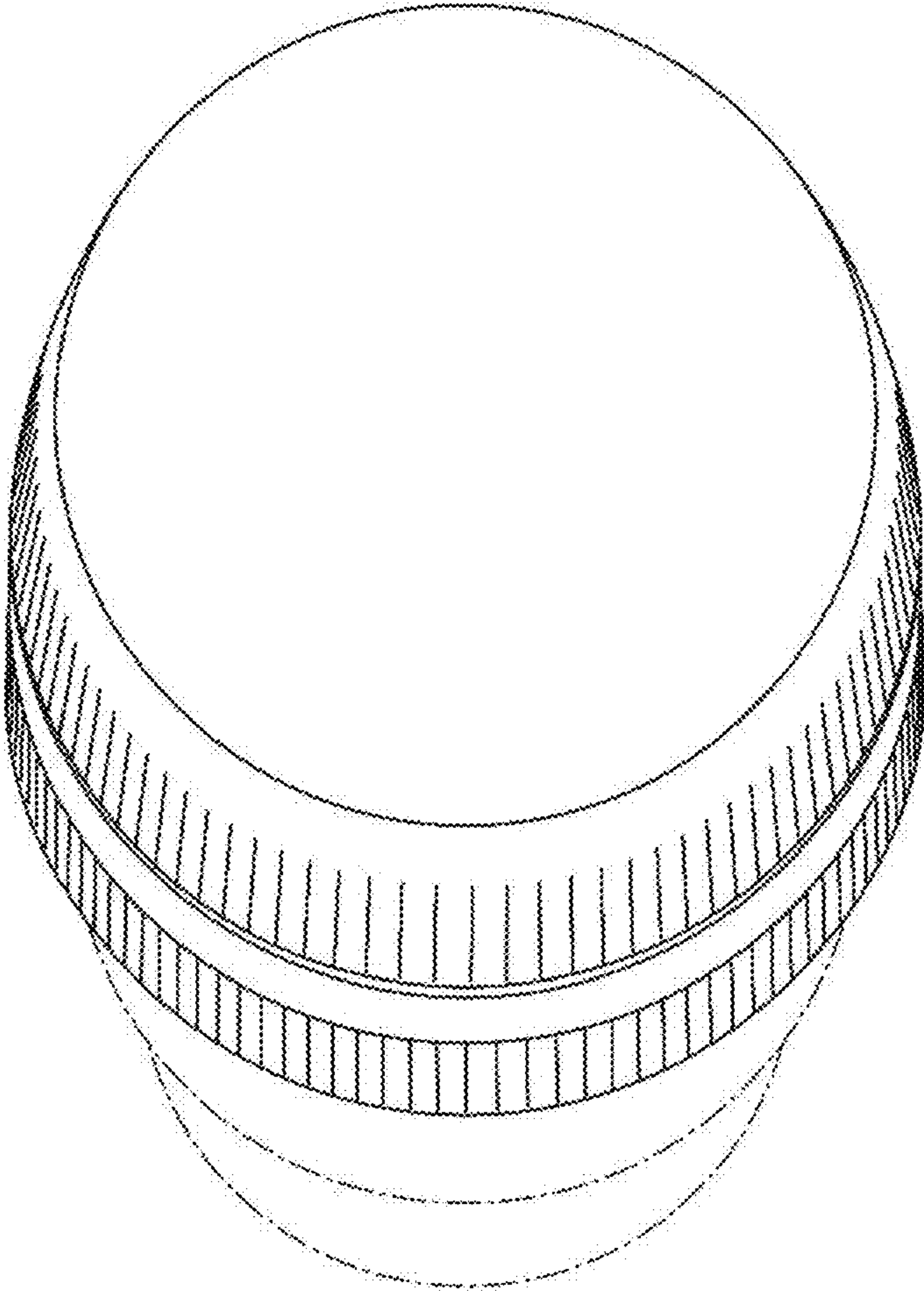


FIG. 3

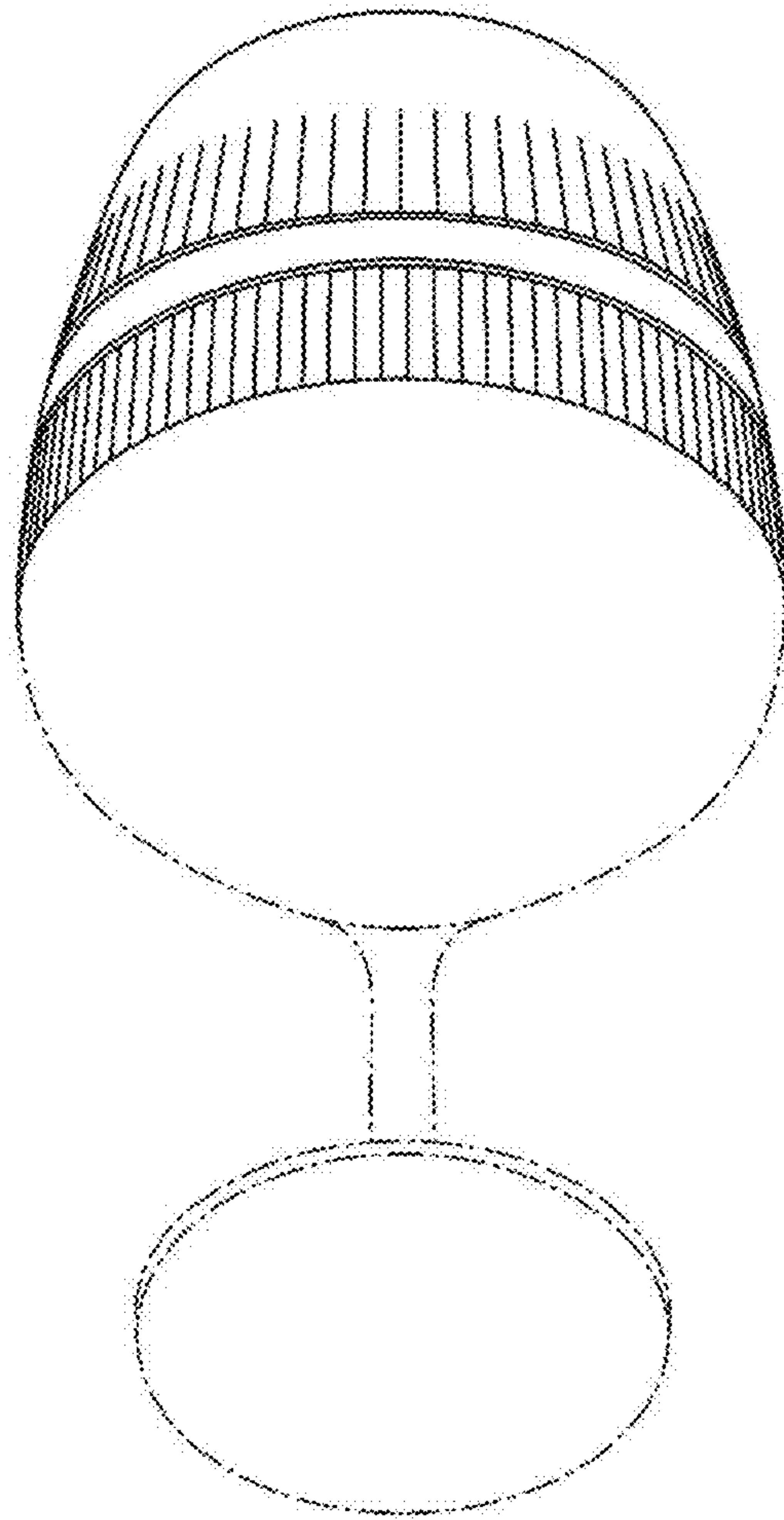


FIG. 4