



US00D848207S

(12) **United States Design Patent**
 Holding et al.

(10) **Patent No.:** **US D848,207 S**

(45) **Date of Patent:** **** May 14, 2019**

(54) **NESTING LIDS**

(71) Applicant: **JOSEPH JOSEPH LTD.**, London
(GB)

(72) Inventors: **Bill Holding**, London (GB); **Ben Cox**,
London (GB)

(73) Assignee: **JOSEPH JOSEPH LTD.**, London
(GB)

(**) Term: **15 Years**

(21) Appl. No.: **29/639,591**

(22) Filed: **Mar. 7, 2018**

(30) **Foreign Application Priority Data**

Sep. 7, 2017 (EM) 004246585-0015

(51) **LOC (11) Cl.** **07-02**

(52) **U.S. Cl.**
USPC **D7/391; D7/354**

(58) **Field of Classification Search**

USPC D7/354, 360, 391, 392, 392.1, 393, 397,
D7/538, 540, 605, 608, 629; D9/414,
D9/424-432, 435, 443, 449, 451-452
CPC A47J 36/027; A47J 36/06; A47J 37/10;
A47J 37/101; B65D 21/0209; B65D
21/0219; B65D 43/00; B65D 43/02;
B65D 43/0206; B65D 43/022; B65D
43/161; B65D 43/162; B65D 45/00;
B65D 45/16; B65D 45/18; B65D 45/32;
B65D 51/16; B65D 51/1683; B65D
51/1688; B65D 51/1694; B65F 1/1615

See application file for complete search history.

(56) **References Cited**

U.S. PATENT DOCUMENTS

D244,246 S * 5/1977 Daenen D7/540
D336,596 S * 6/1993 Osgood D7/542

D362,594 S * 9/1995 McEntee D7/538
D380,124 S * 6/1997 Kato D7/540
D489,004 S * 4/2004 Parman D9/425
D527,218 S * 8/2006 Carlson D7/392
D537,300 S * 2/2007 Kim D7/542
D627,607 S * 11/2010 Roth D7/629
D734,976 S * 7/2015 Quinn D7/354
D741,708 S * 10/2015 Thurin D9/503
D752,915 S * 4/2016 Castriota D7/354
D810,567 S * 2/2018 Brovar D9/449
D814,234 S * 4/2018 Joseph D7/391

* cited by examiner

Primary Examiner — Ricky Pham

(74) *Attorney, Agent, or Firm* — Millen, White, Zelano &
Branigan, PC

(57) **CLAIM**

The ornamental design for a nesting lids, as shown and
described.

DESCRIPTION

FIG. 1 is a top perspective view of the nesting lids showing
our new design.

FIG. 2 is a side view thereof.

FIG. 3 is another side view thereof.

FIG. 4 is another side view thereof.

FIG. 5 is another side view thereof.

FIG. 6 is top view thereof.

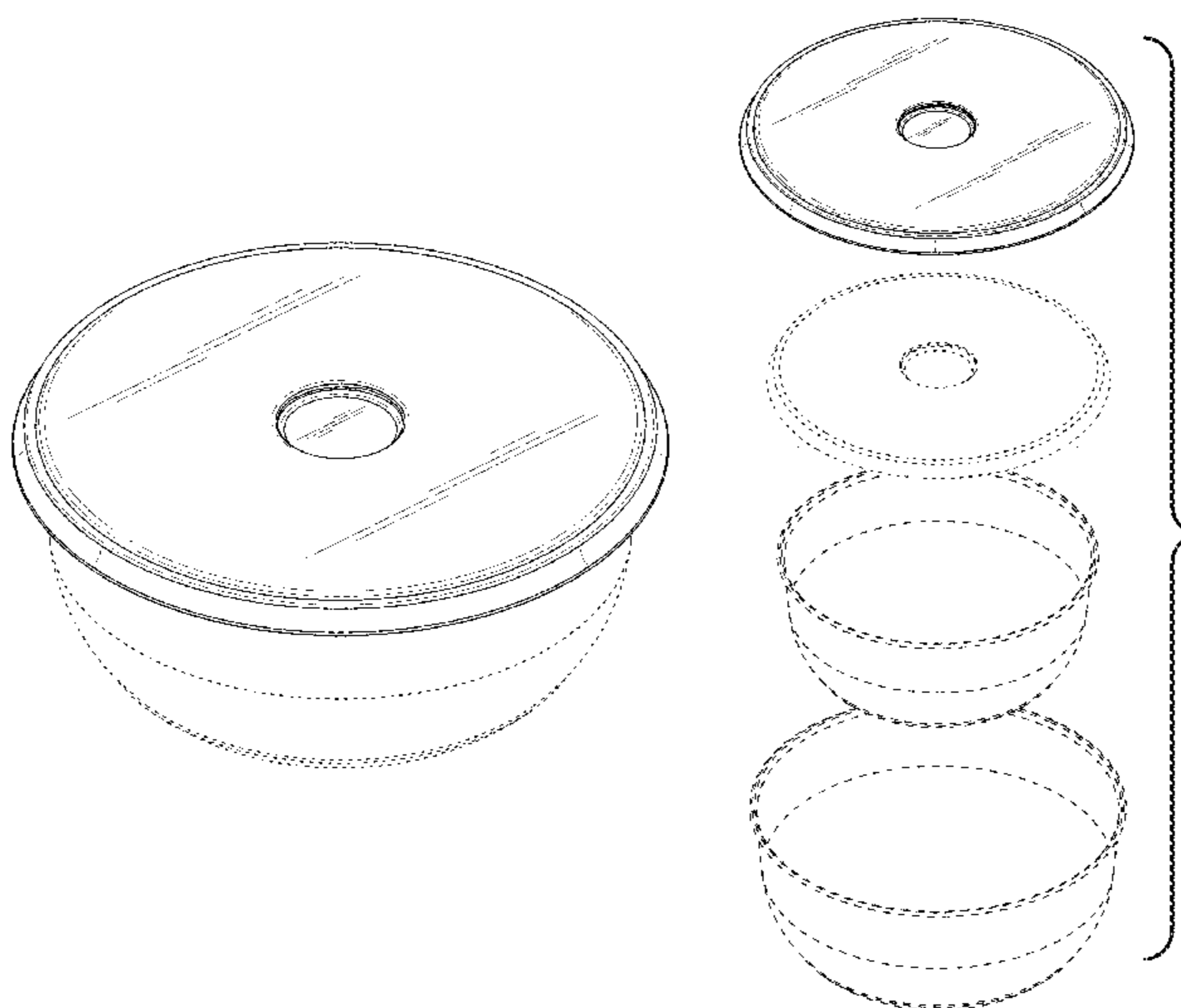
FIG. 7 is a bottom view thereof.

FIG. 8 is an exploded top perspective view thereof; and,

FIG. 9 is a exploded bottom perspective view thereof.

The broken lines in the drawings illustrate portions of the
nesting lids which form no part of the claimed design.

1 Claim, 9 Drawing Sheets



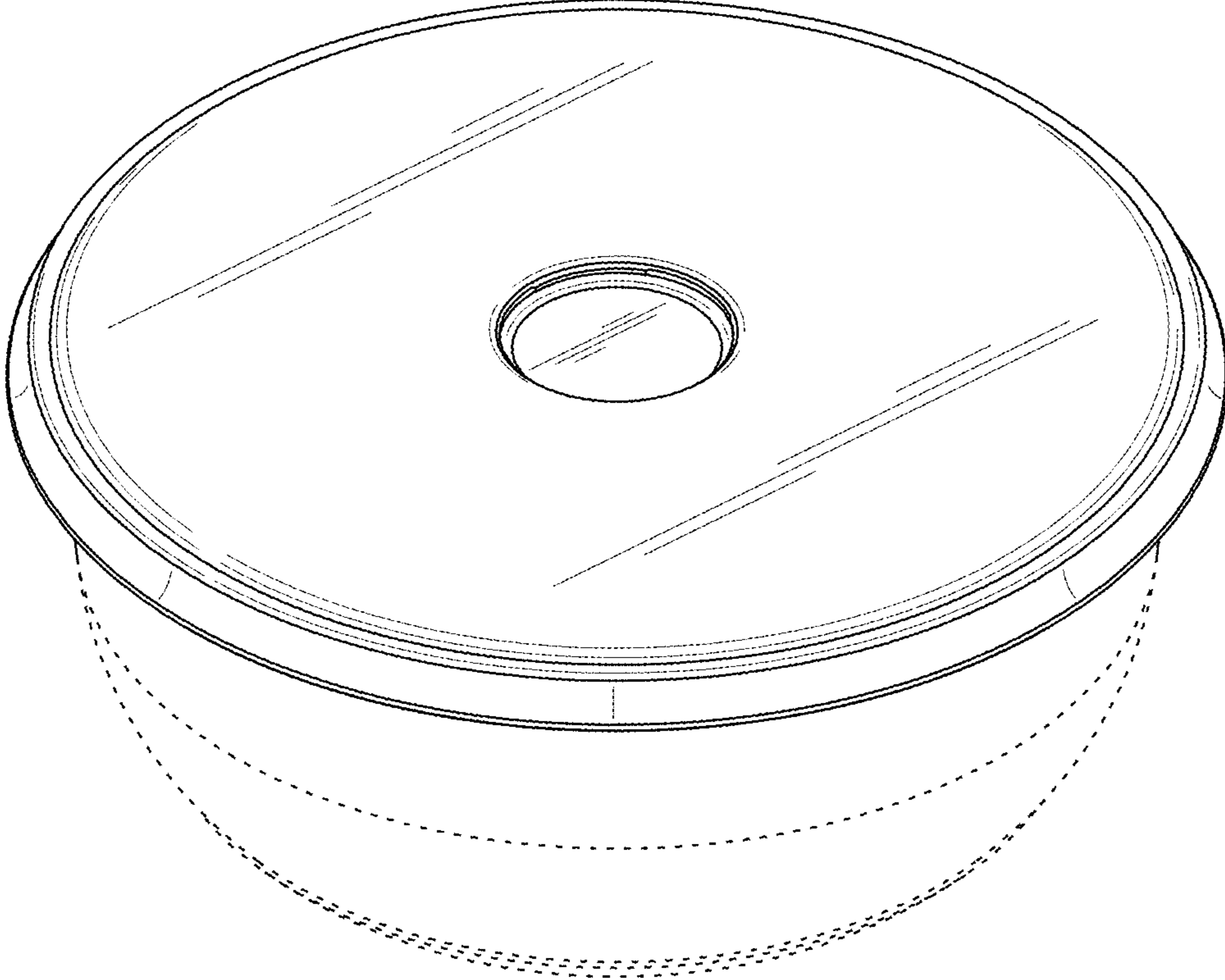


FIG. 1

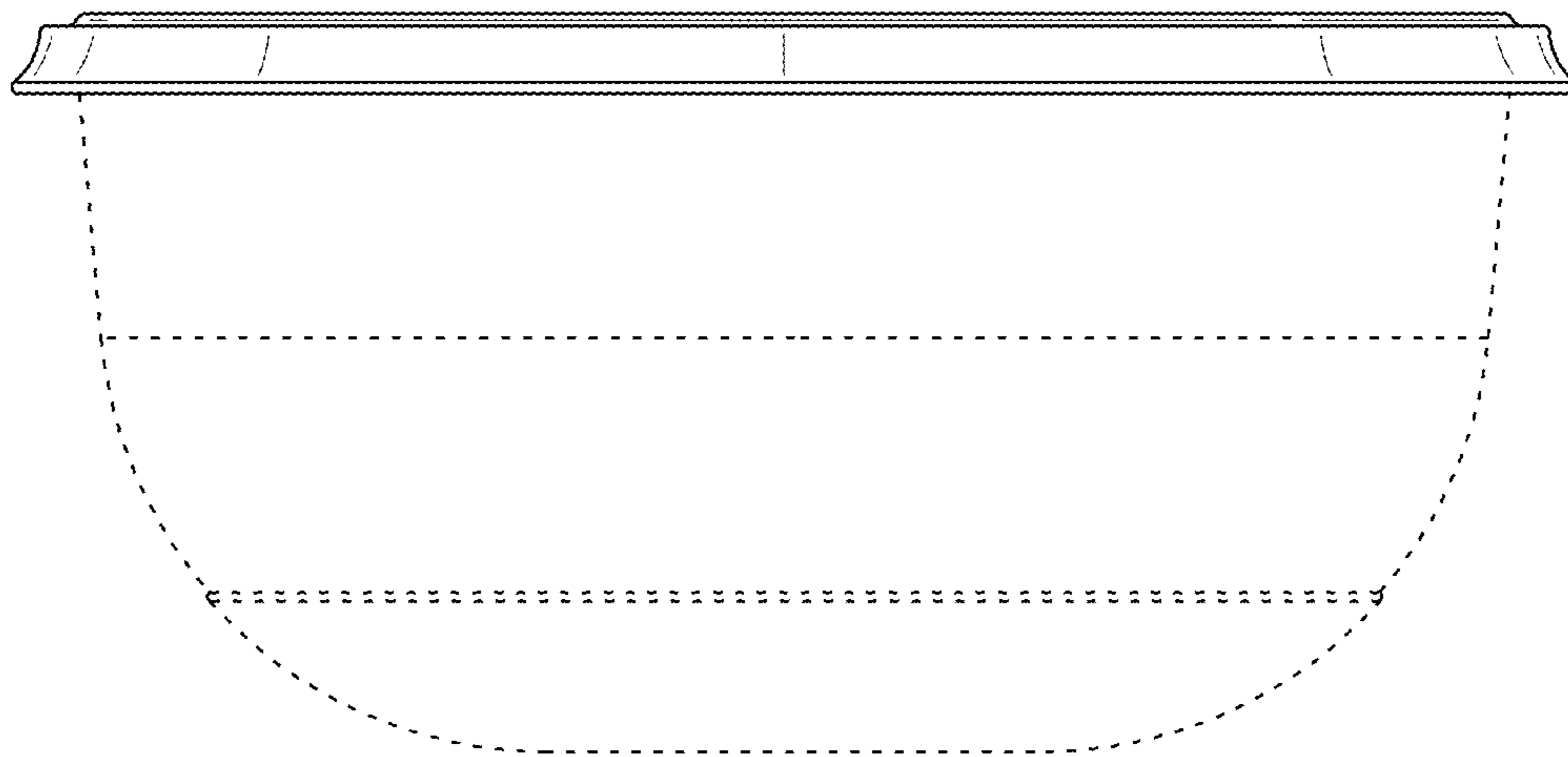


FIG. 2

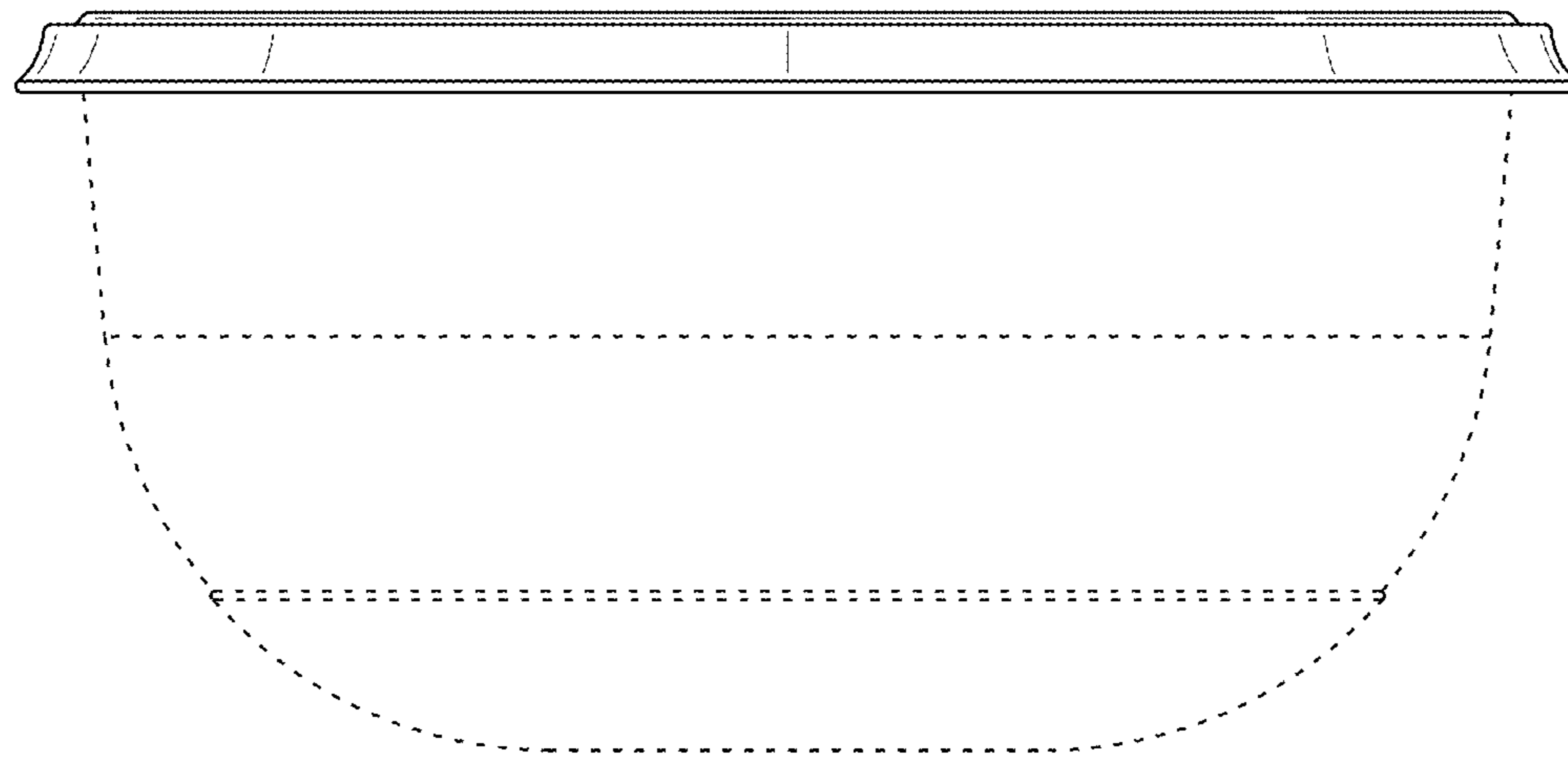


FIG. 3

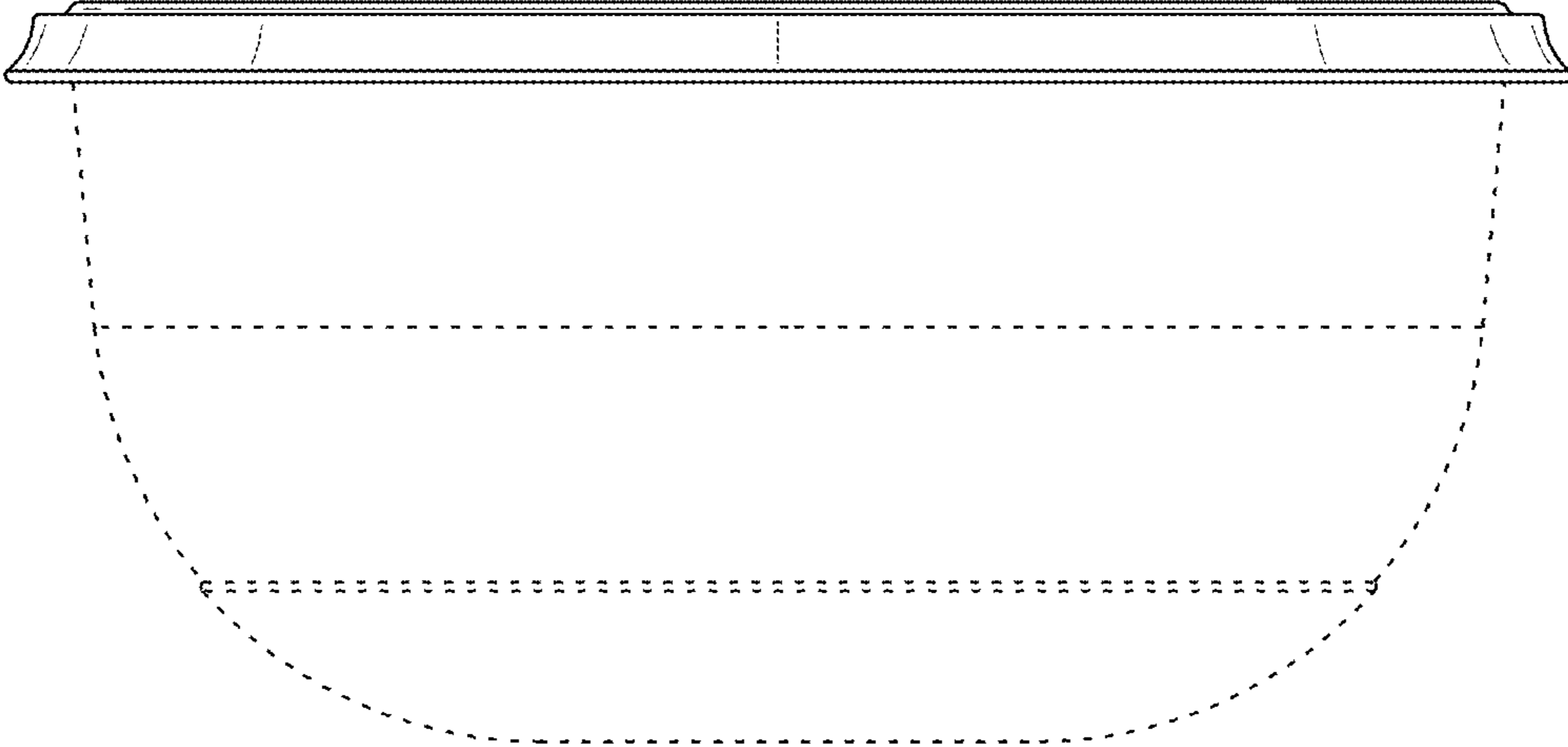


FIG. 4

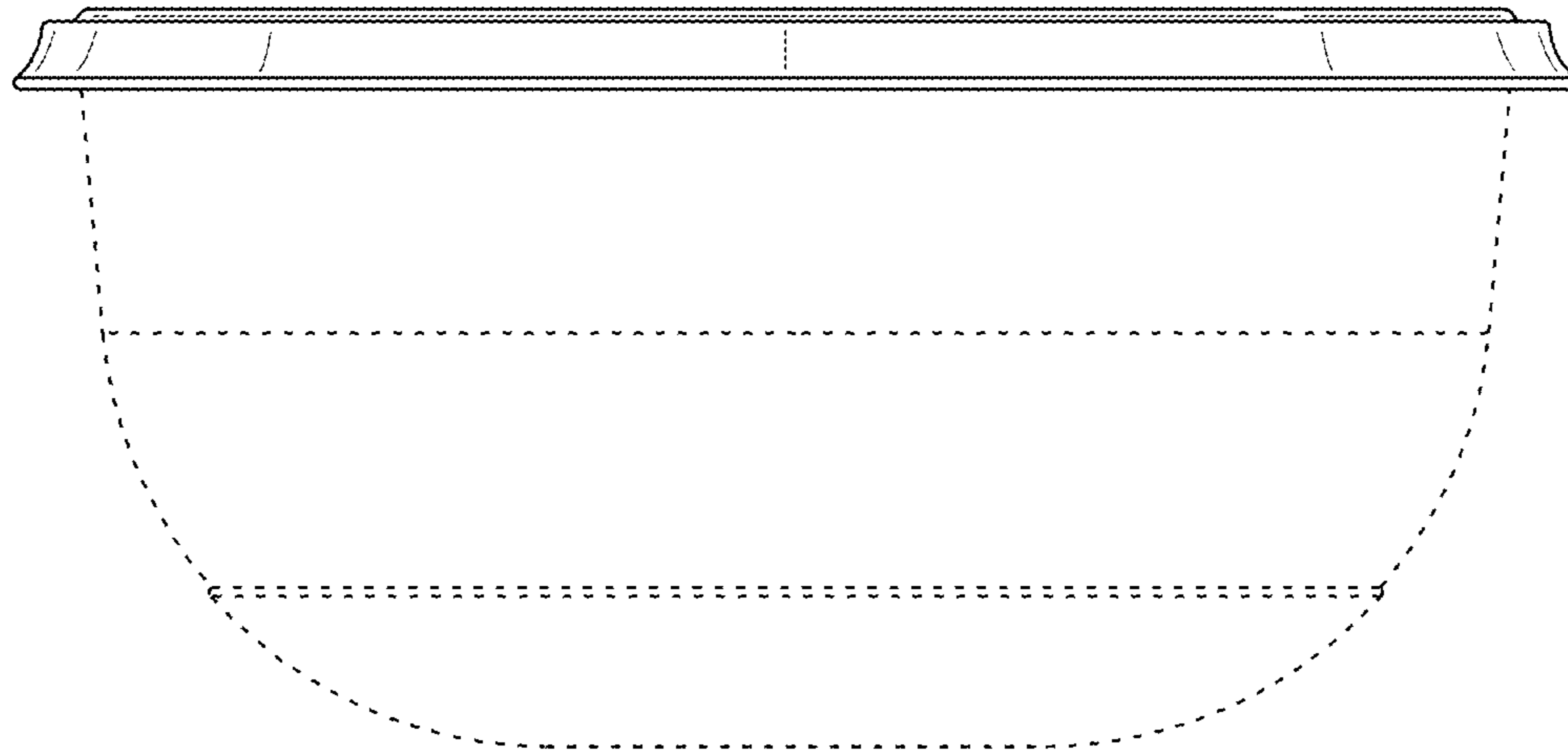


FIG. 5

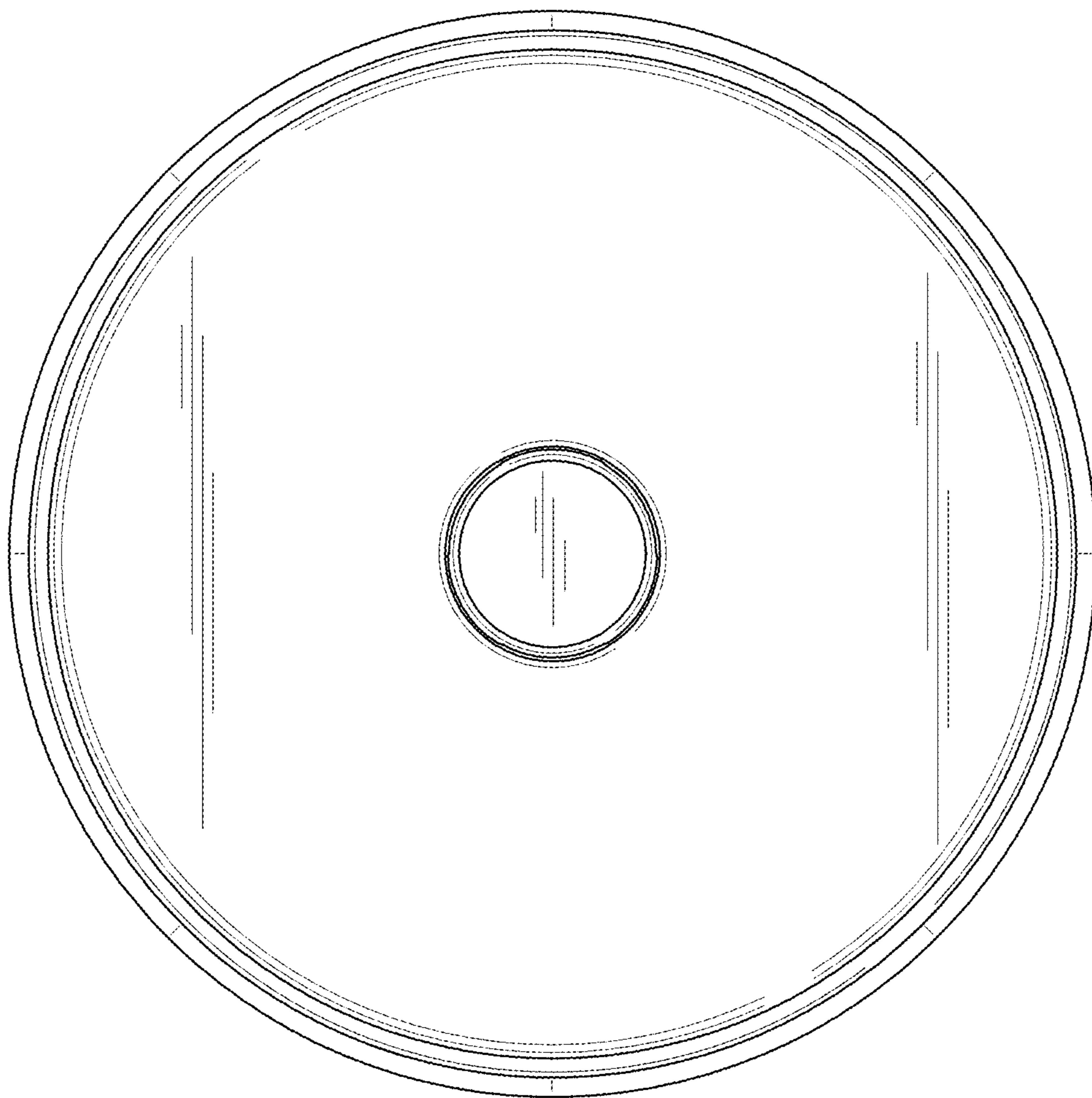


FIG. 6

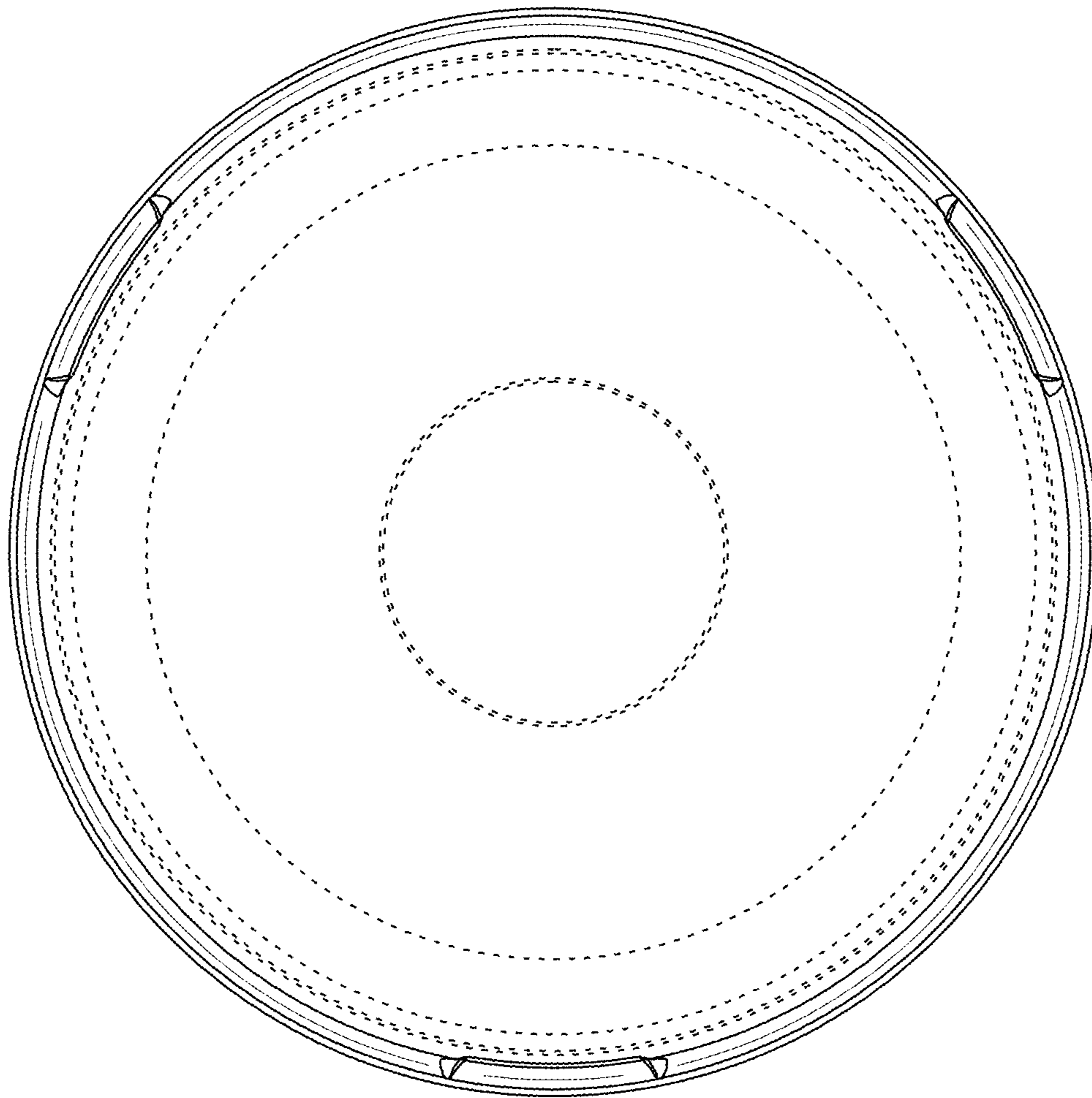


FIG. 7

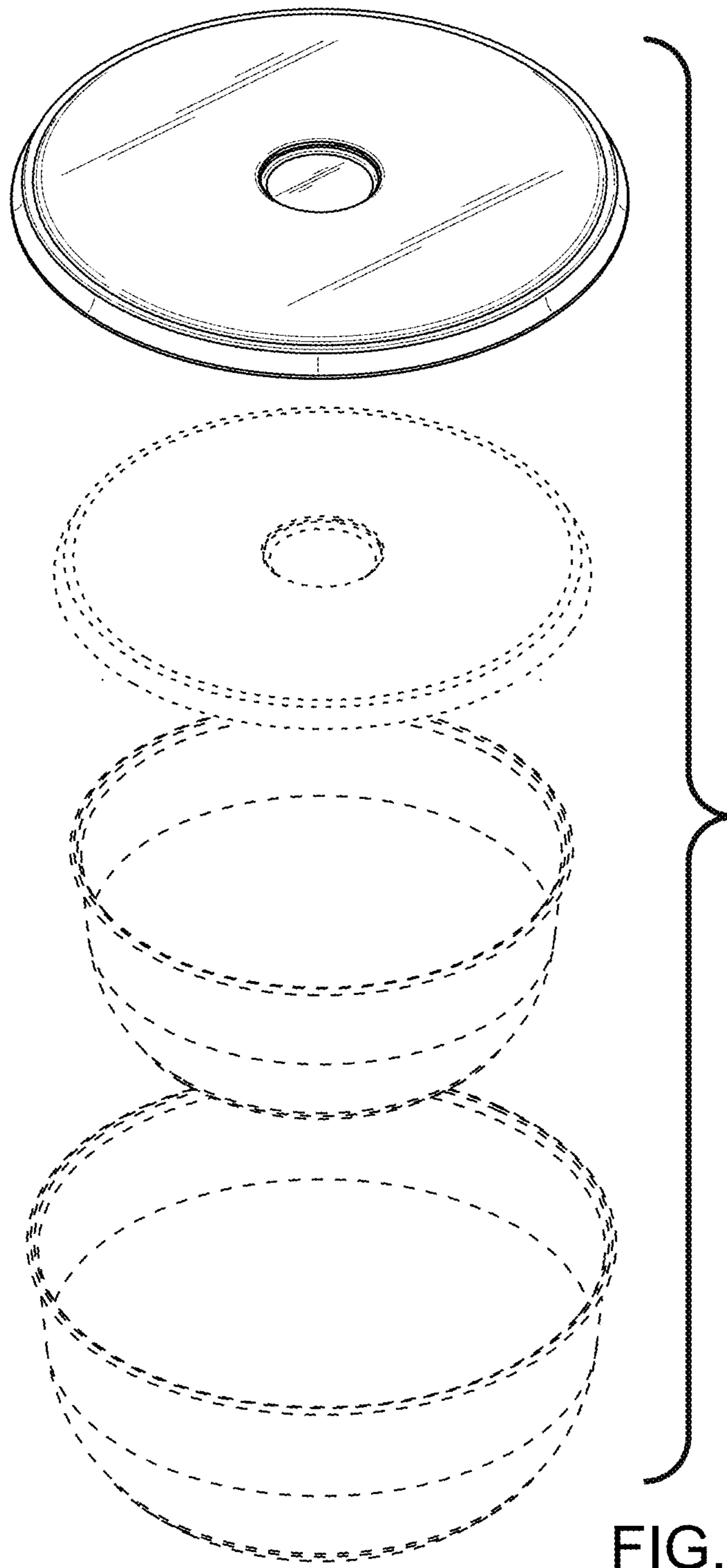


FIG. 8

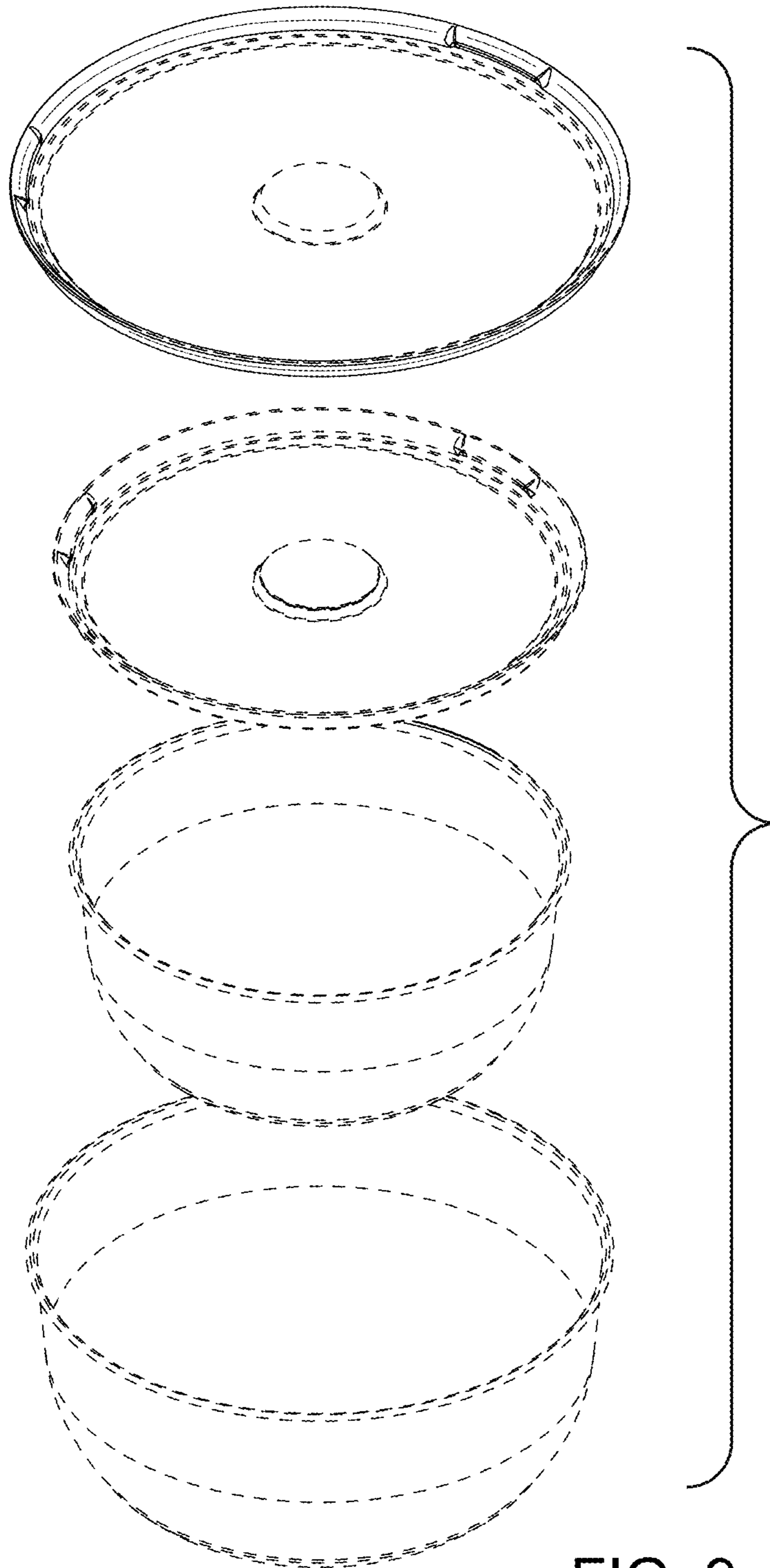


FIG. 9