



US00D848205S

(12) **United States Design Patent** (10) **Patent No.:** **US D848,205 S**
Mullen (45) **Date of Patent:** **** May 14, 2019**

(54) **BLENDER**

(71) Applicant: **Kenwood Limited**, Havant, Hampshire (GB)

(72) Inventor: **Darren Mullen**, Havant (GB)

(73) Assignee: **KENWOOD LIMITED**, Havant, Hampshire (GB)

(**) Term: **15 Years**

(21) Appl. No.: **29/573,858**

(22) Filed: **Aug. 10, 2016**

Related U.S. Application Data

(62) Division of application No. 29/507,049, filed on Oct. 23, 2014, now Pat. No. Des. 783,339.

(30) **Foreign Application Priority Data**

Apr. 25, 2014 (EM) 002452870

(51) **LOC (11) Cl.** **31-00**

(52) **U.S. Cl.**
USPC **D7/379; D7/376; D7/378; D7/380**

(58) **Field of Classification Search**

USPC D7/372, 376-386, 412-413, 602, 629, D7/665-666, 669, 679, 693-694
CPC A21C 1/02; A21C 1/04; A23N 1/00; A23N 1/02; A47J 43/04; A47J 43/25; A47J 43/27; A47J 43/042; A47J 43/044; A47J 43/046; A47J 43/075; A47J 43/0722; A47J 43/0727; B01F 3/00; B01F 3/0807; B01F 3/0853; B01F 13/0059; B01F 13/0064; B02C 1/08; B02C 2/04; B02C 4/42; B02C 4/142; B02C 4/143; B02C 4/423; B02C 13/1835; B28C 5/10; B28C 5/12; B28C 5/14; B28C 5/16

See application file for complete search history.

(56) **References Cited**

U.S. PATENT DOCUMENTS

D358,293 S *	5/1995	Sebastia	D7/376
D361,241 S	8/1995	Littmann	
D400,756 S	11/1998	Henderson	
D426,105 S	6/2000	Littmann	
D456,206 S *	4/2002	Feil	D7/376
D485,729 S *	1/2004	Patton	D7/376
D506,102 S *	6/2005	Ikegaki	D7/376
D534,032 S *	12/2006	Lloyd	D7/380
D589,742 S *	4/2009	Ferraby	D7/380

(Continued)

FOREIGN PATENT DOCUMENTS

EM 001174023-0001 10/2009

OTHER PUBLICATIONS

Official Rejection Notice dated Jan. 5, 2015 from corresponding Japanese Design Application No. 2014-023964 (5 pages including English translation).

(Continued)

Primary Examiner — Ricky Pham

(74) *Attorney, Agent, or Firm* — Brinks Gilson & Lione; John C. Freeman

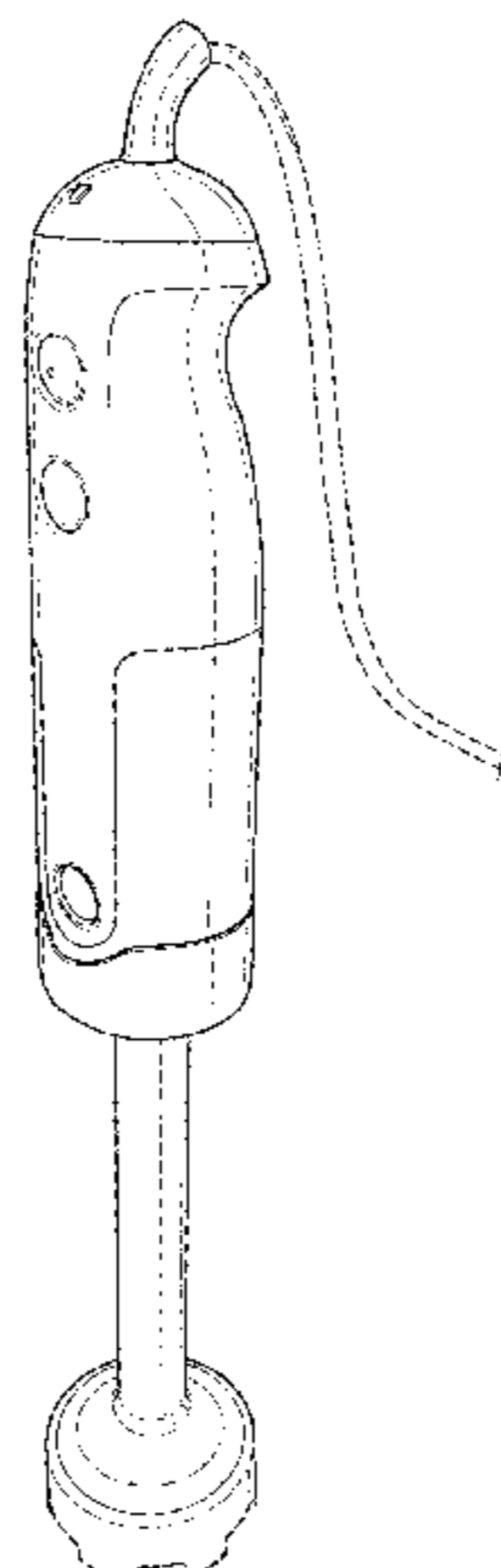
(57) **CLAIM**

The ornamental design for a blender, as shown and described.

DESCRIPTION

FIG. 1 is a front perspective view of a blender according to the present invention;
FIG. 2 is a front view thereof;
FIG. 3 is a rear view thereof;
FIG. 4 is a right side view thereof; and,
FIG. 5 is a left side view thereof.

(Continued)



The ornamental design which is claimed is shown in solid lines in the drawings. The broken lines showing of portions of the article form no part of the claimed design.

1 Claim, 5 Drawing Sheets

(56)

References Cited

U.S. PATENT DOCUMENTS

D614,438 S 4/2010 Fukasawa
D644,479 S 9/2011 Lownds
D649,394 S 11/2011 Grabes
D651,041 S 12/2011 Bachmann
D651,846 S 1/2012 Roseby
D662,765 S 7/2012 Grabes
D667,682 S 9/2012 Agren
D668,099 S 10/2012 Ferraby
D668,911 S 10/2012 Bachmann
D681,391 S 5/2013 Agren
D690,160 S 9/2013 Bodum

D691,412 S * 10/2013 Ragot D7/376
D695,565 S 12/2013 Verbrugge
D724,373 S 3/2015 Ji
D724,374 S * 3/2015 Sanguinetti D7/376
D726,496 S 4/2015 Vu
D727,096 S 4/2015 Vu
D730,689 S 6/2015 Bodum
D731,236 S 6/2015 Yin
D756,166 S * 5/2016 Lee D7/376
D783,339 S * 4/2017 Mullen D7/376
D805,345 S * 12/2017 Ho D7/380
D809,331 S * 2/2018 Blazquez D7/379
D817,081 S * 5/2018 Verbrugge D7/379
2005/0078549 A1 4/2005 Hamelin
2015/0009776 A1 1/2015 Cheung

OTHER PUBLICATIONS

Official Rejection Notice dated Jan. 5, 2015 from corresponding Japanese Design Application No. 2014-023965 (5 pages including English translation).

* cited by examiner

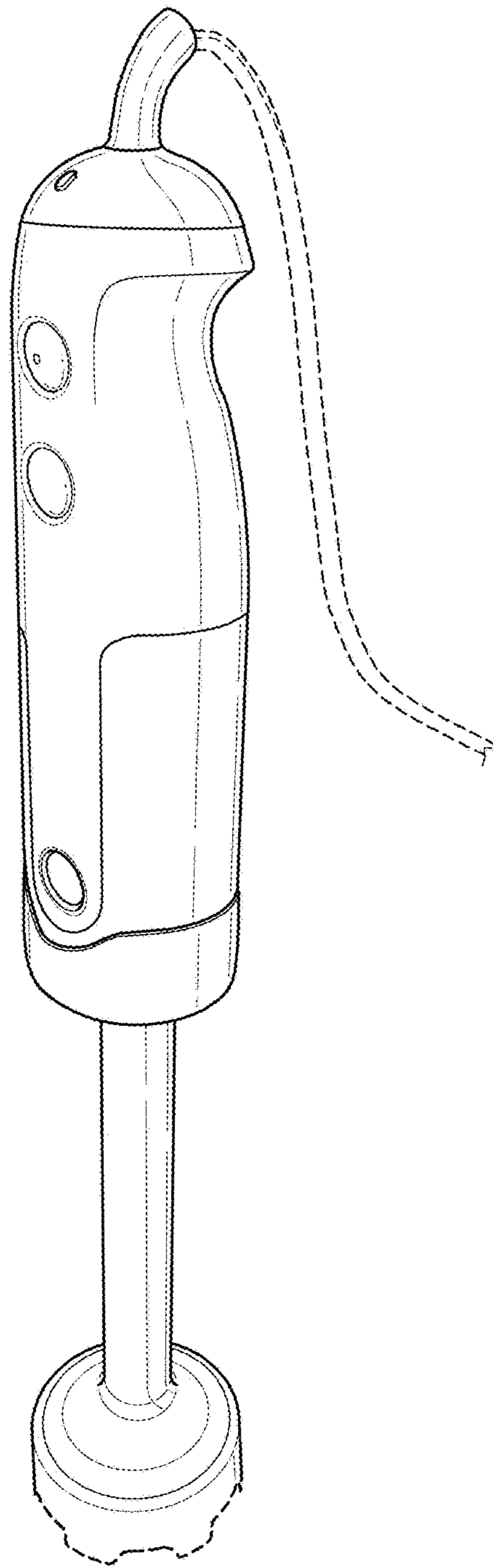


Fig. 1

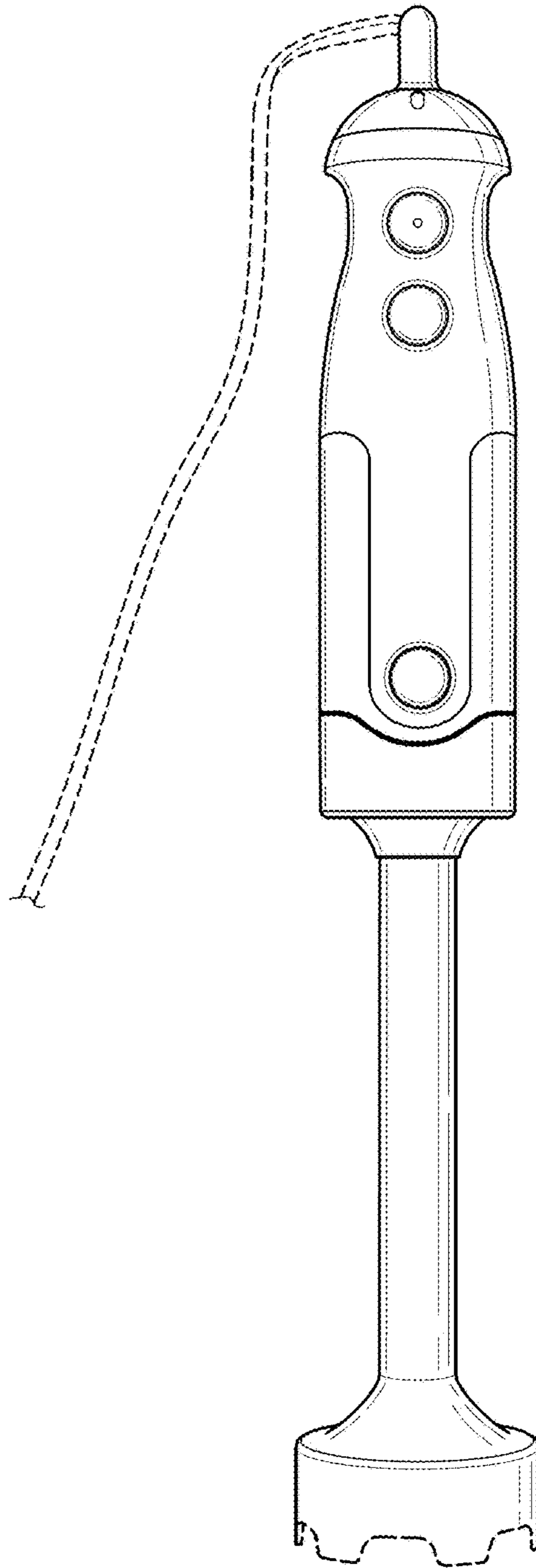


Fig. 2

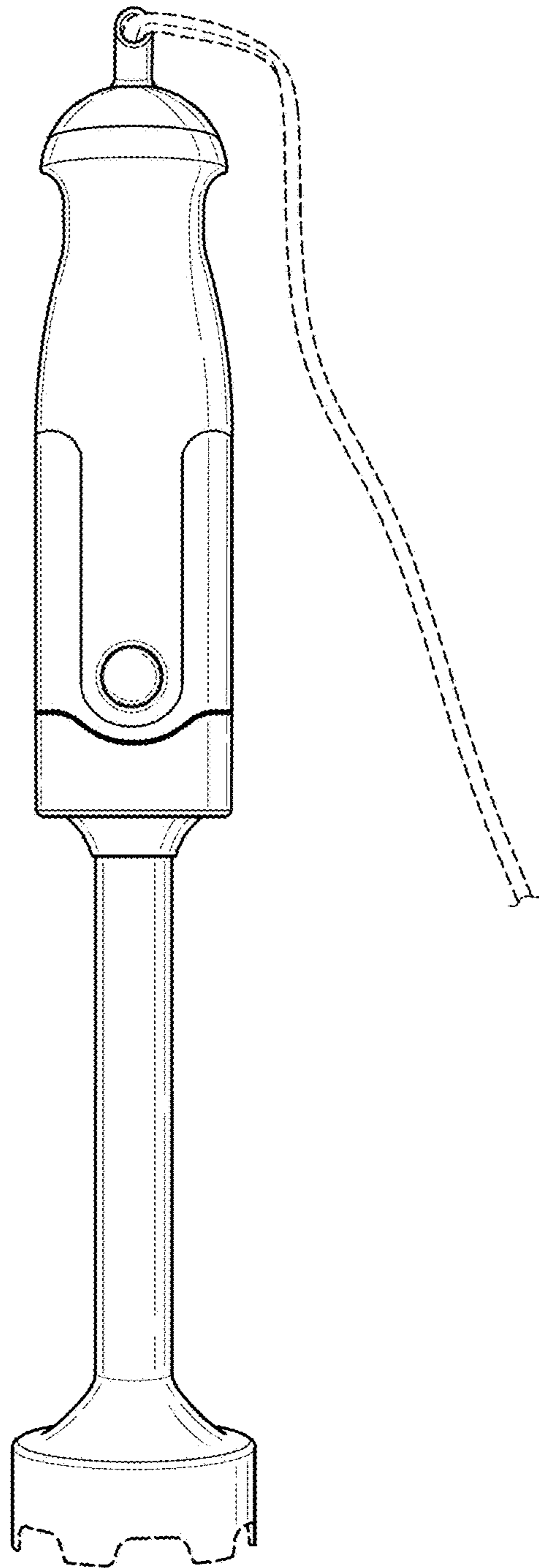


Fig. 3

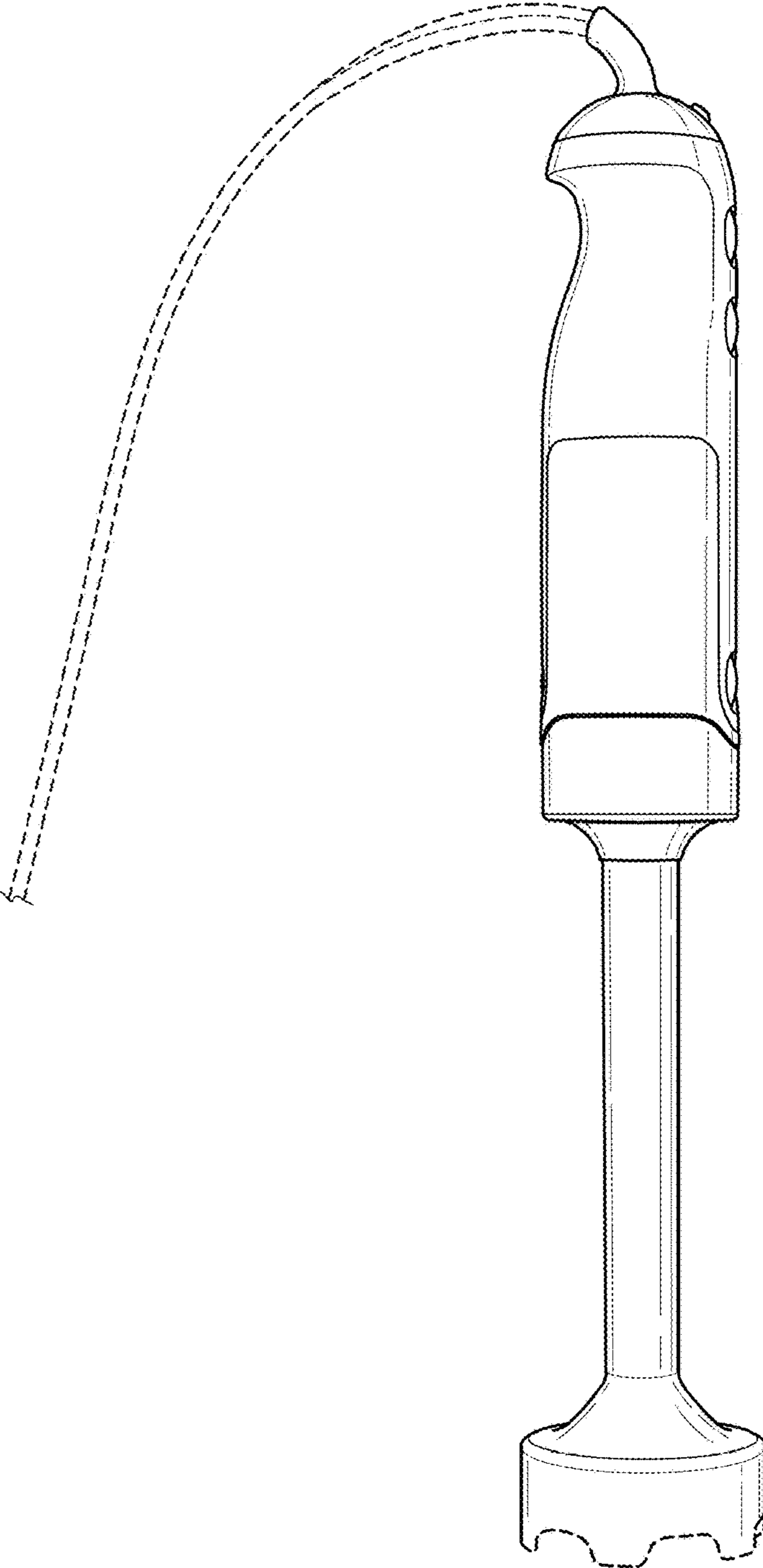


Fig. 4

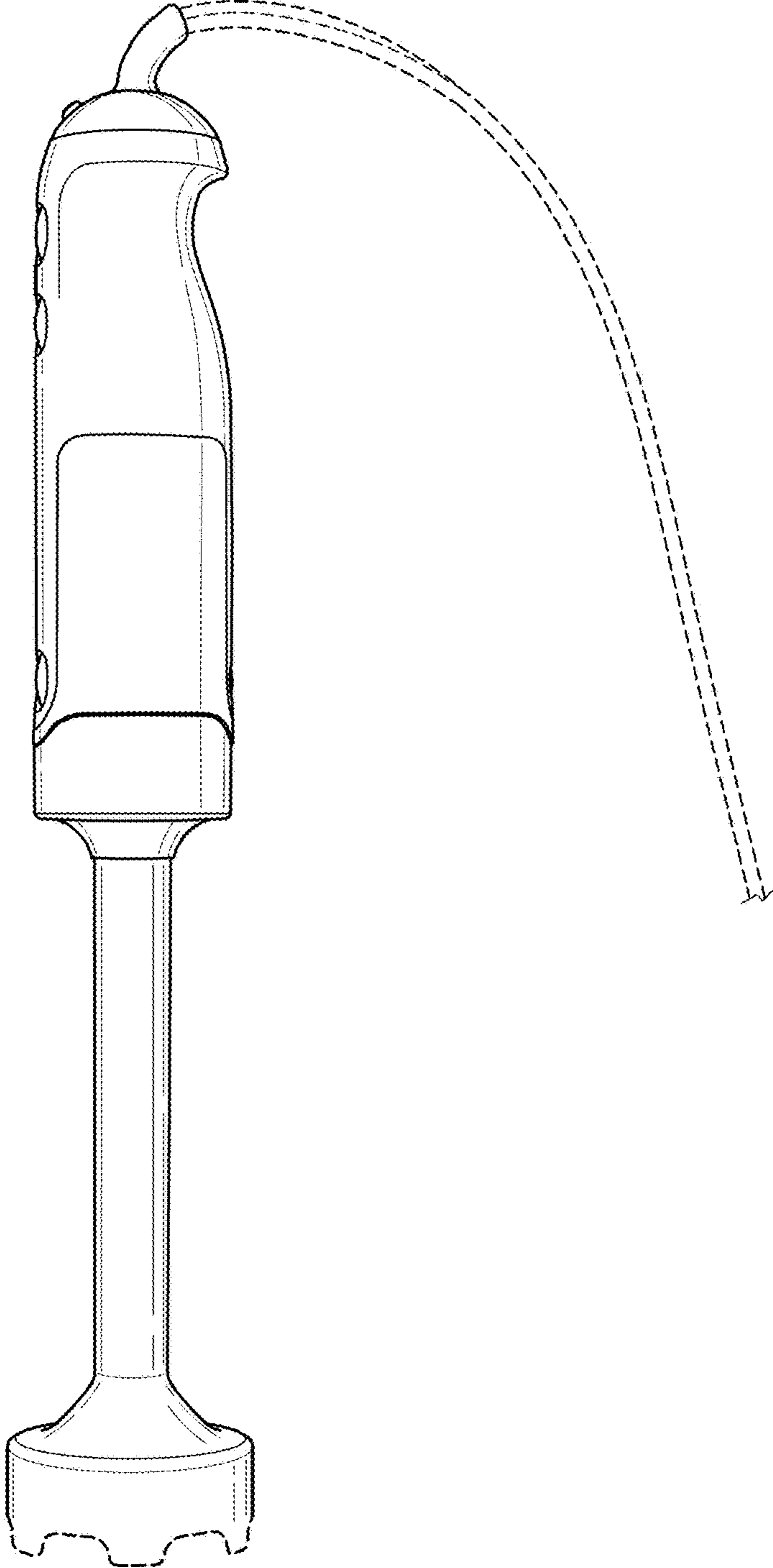


Fig. 5