



US00D848204S

(12) **United States Design Patent**
Chung

(10) **Patent No.:** **US D848,204 S**

(45) **Date of Patent:** **** May 14, 2019**

- (54) **GRILL**
- (71) Applicant: **Kiosky Chung**, Taichung (TW)
- (72) Inventor: **Kiosky Chung**, Taichung (TW)
- (**) Term: **15 Years**
- (21) Appl. No.: **29/626,418**
- (22) Filed: **Nov. 16, 2017**
- (51) **LOC (11) Cl.** **07-02**
- (52) **U.S. Cl.**
USPC **D7/363; D7/337**
- (58) **Field of Classification Search**
USPC D7/332-337, 351-353, 402-409,
D7/339-340, 346-349, 362-367
CPC A47J 37/07-37/0781; A47J 37/0786; A47J
33/00; A47J 37/067; A47J 37/0676; A23B
4/044-4/056; F24B 1/202; F24B 1/205
See application file for complete search history.

- D614,915 S * 5/2010 Schnitman D7/409
- 8,176,841 B2 * 5/2012 Hatjopoulos A47J 47/16
126/9 R
- D694,056 S * 11/2013 Dahle D7/334
- D754,467 S * 4/2016 Misner D7/352
- 9,357,879 B2 * 6/2016 Ortner A47J 37/0676
- D802,991 S * 11/2017 Dutruel D7/362
- D817,710 S * 5/2018 Kim D7/409
- D833,207 S * 11/2018 Zemel D7/363
- 2009/0235918 A1 * 9/2009 Espina F23Q 9/045
126/39 G
- 2010/0199857 A1 * 8/2010 Storiz A47J 37/067
99/422
- 2018/0255970 A1 * 9/2018 Rudy A47J 37/067

* cited by examiner

Primary Examiner — Brett Miller

(57) **CLAIM**

The ornamental design for a grill, as shown and described.

DESCRIPTION

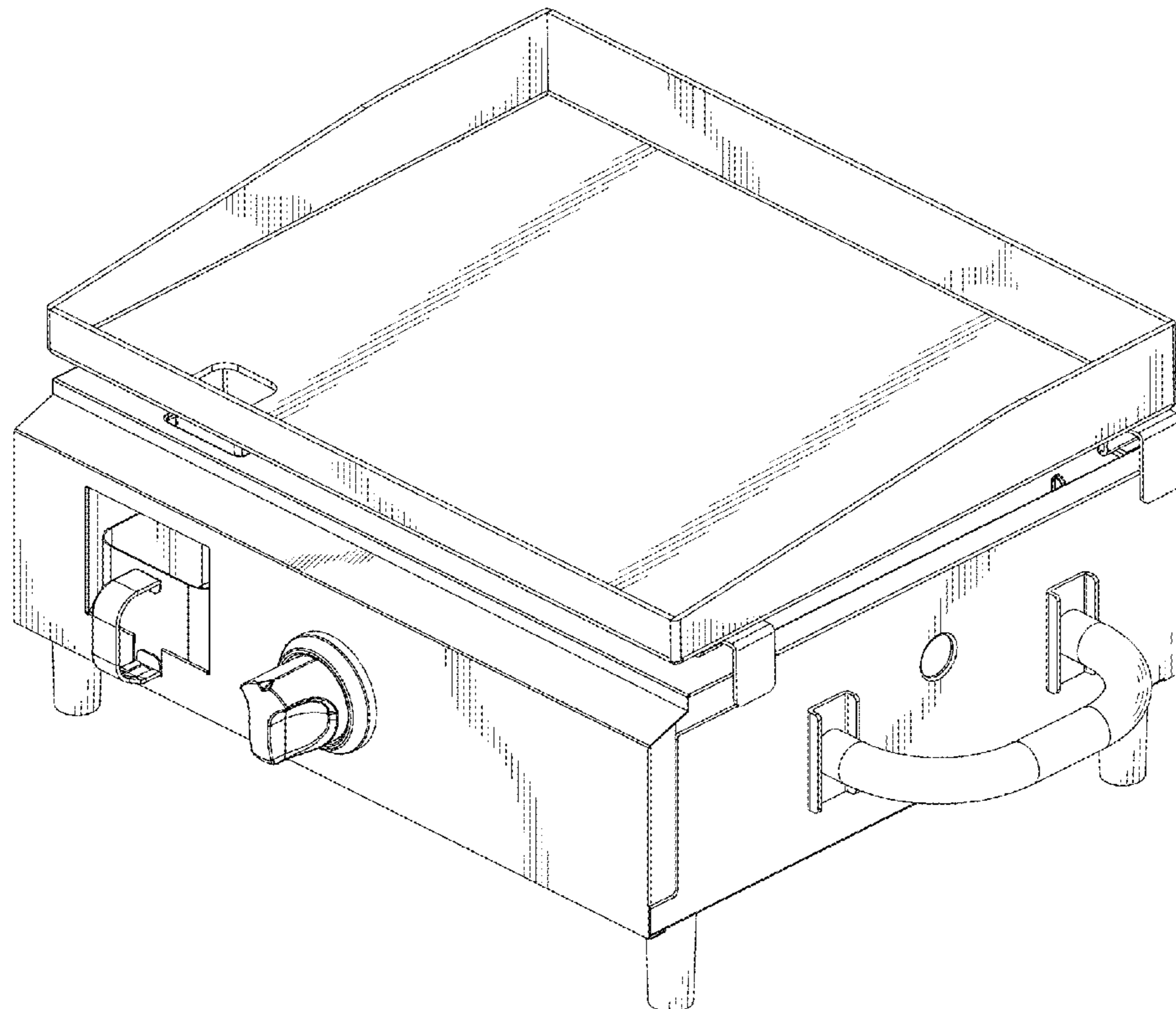
FIG. 1 is a perspective view of a grill showing my new design;
 FIG. 2 is a front side view thereof;
 FIG. 3 is a back side view thereof;
 FIG. 4 is a left side view thereof;
 FIG. 5 is a right side view thereof;
 FIG. 6 is a top plan view thereof; and,
 FIG. 7 is a bottom plan view thereof.

1 Claim, 6 Drawing Sheets

(56) **References Cited**

U.S. PATENT DOCUMENTS

- 2,715,173 A * 8/1955 Farquharson A47J 37/0676
126/211
- D194,137 S * 11/1962 Jenn D7/346
- D336,816 S * 6/1993 Mito D7/337
- D503,067 S * 3/2005 Lubowicki D7/362



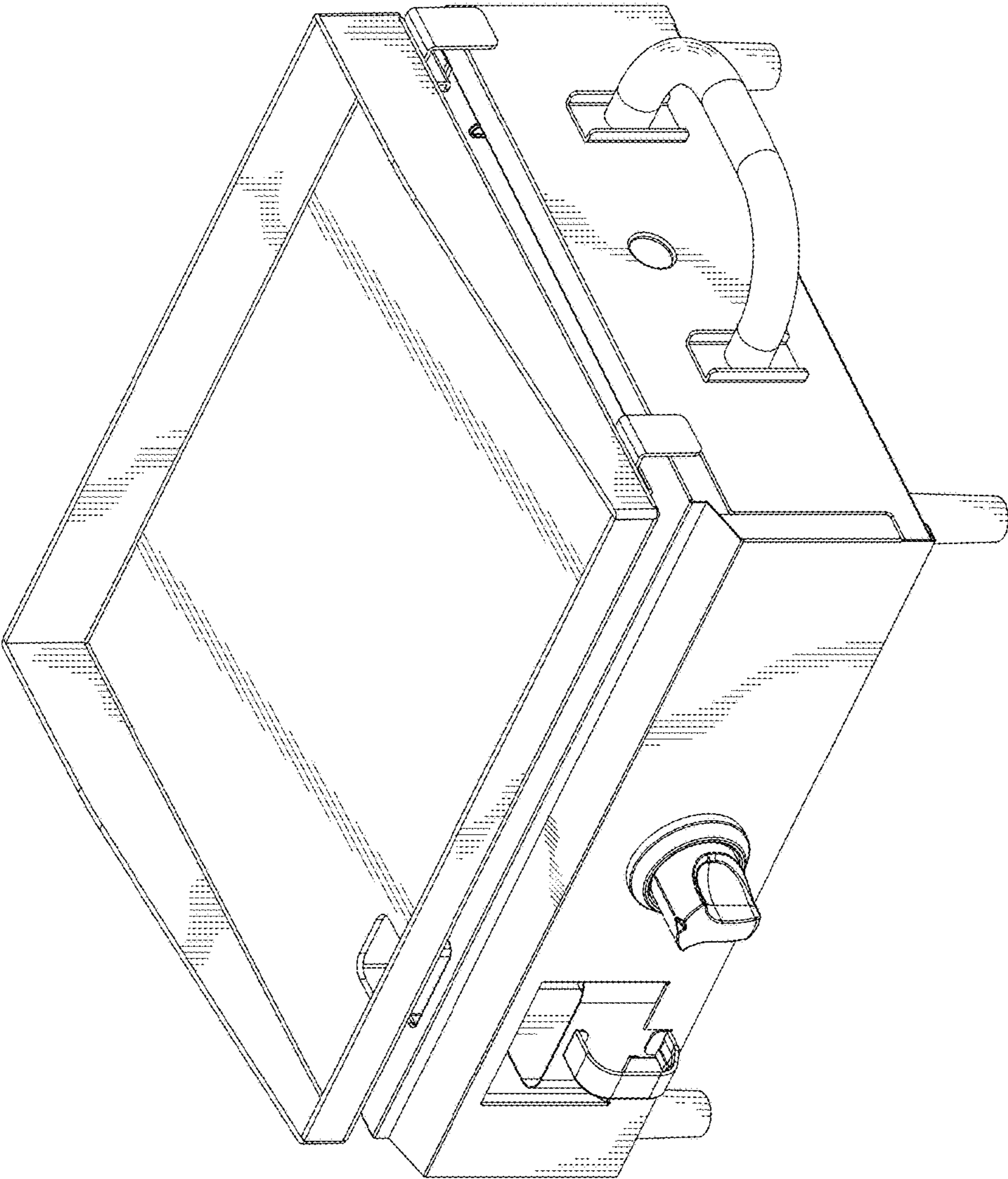


FIG. 1

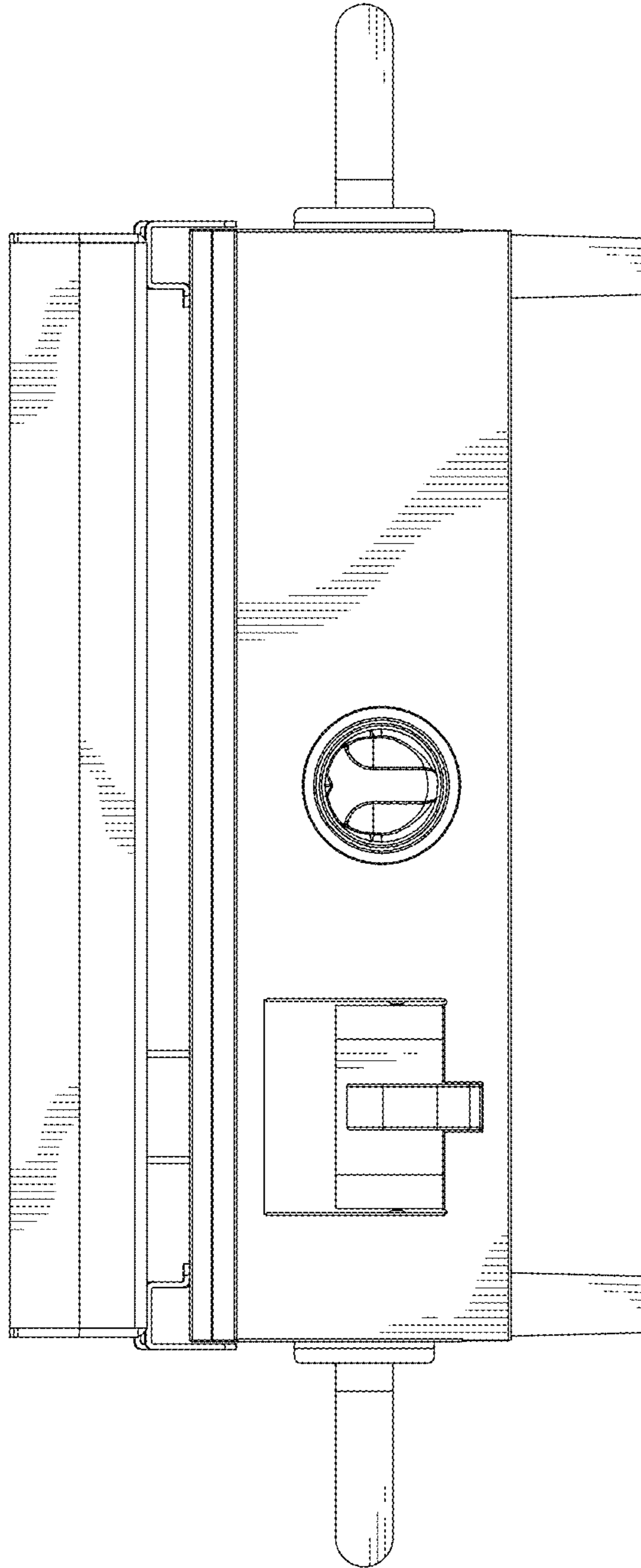


FIG. 2

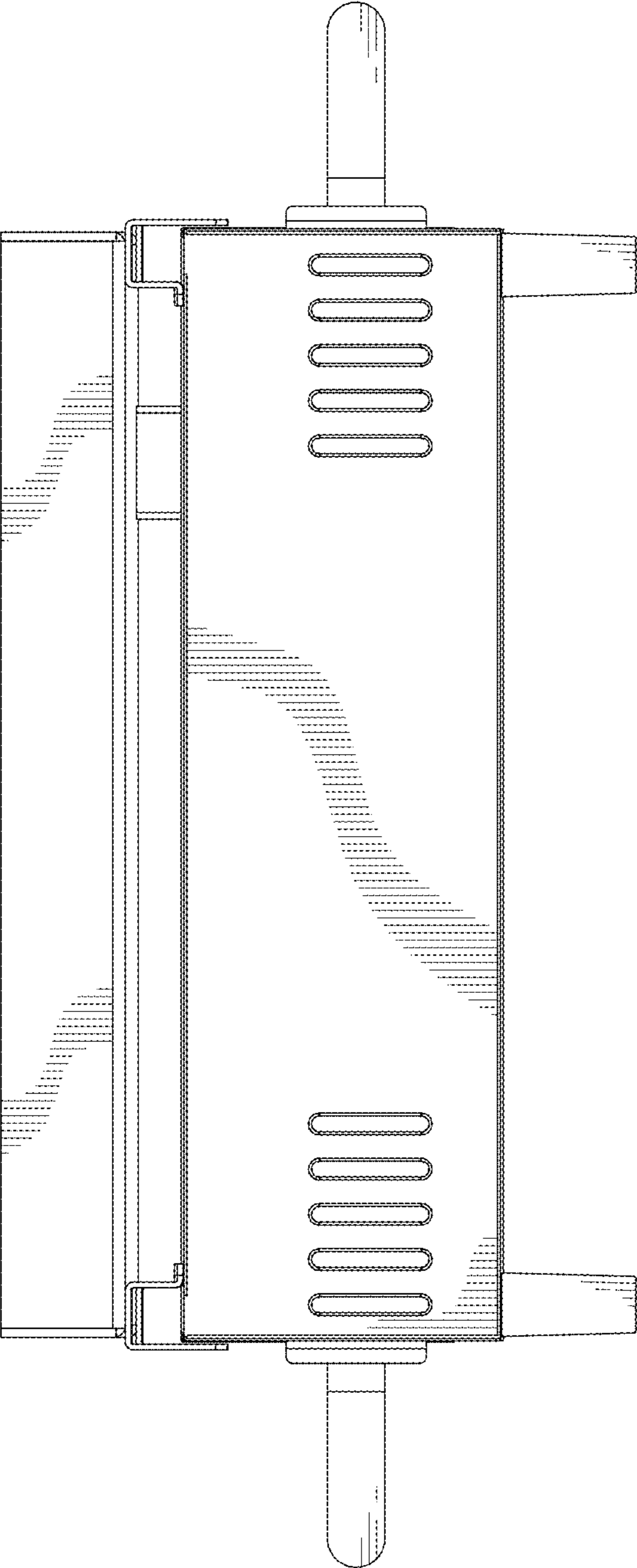


FIG. 3

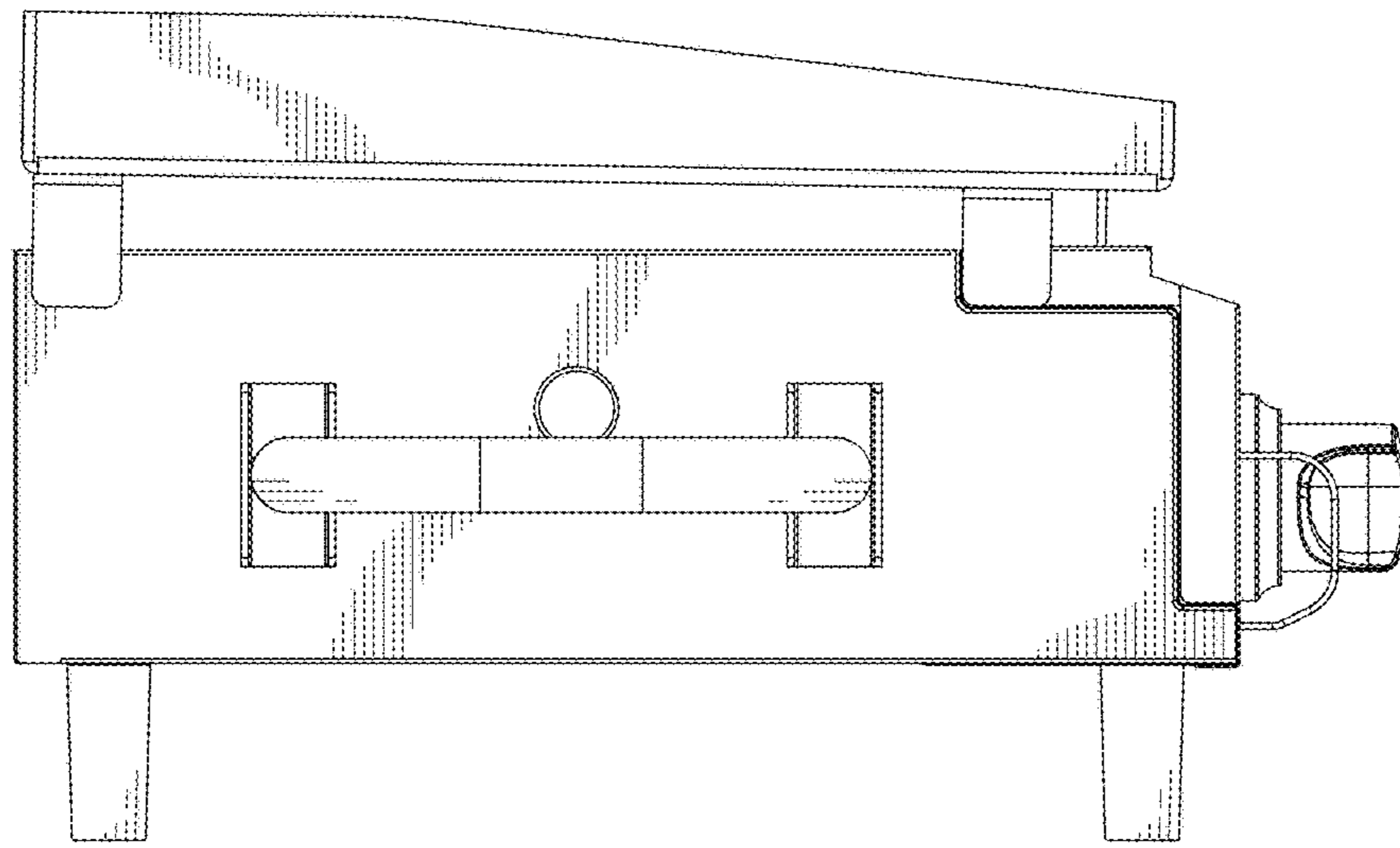


FIG. 4

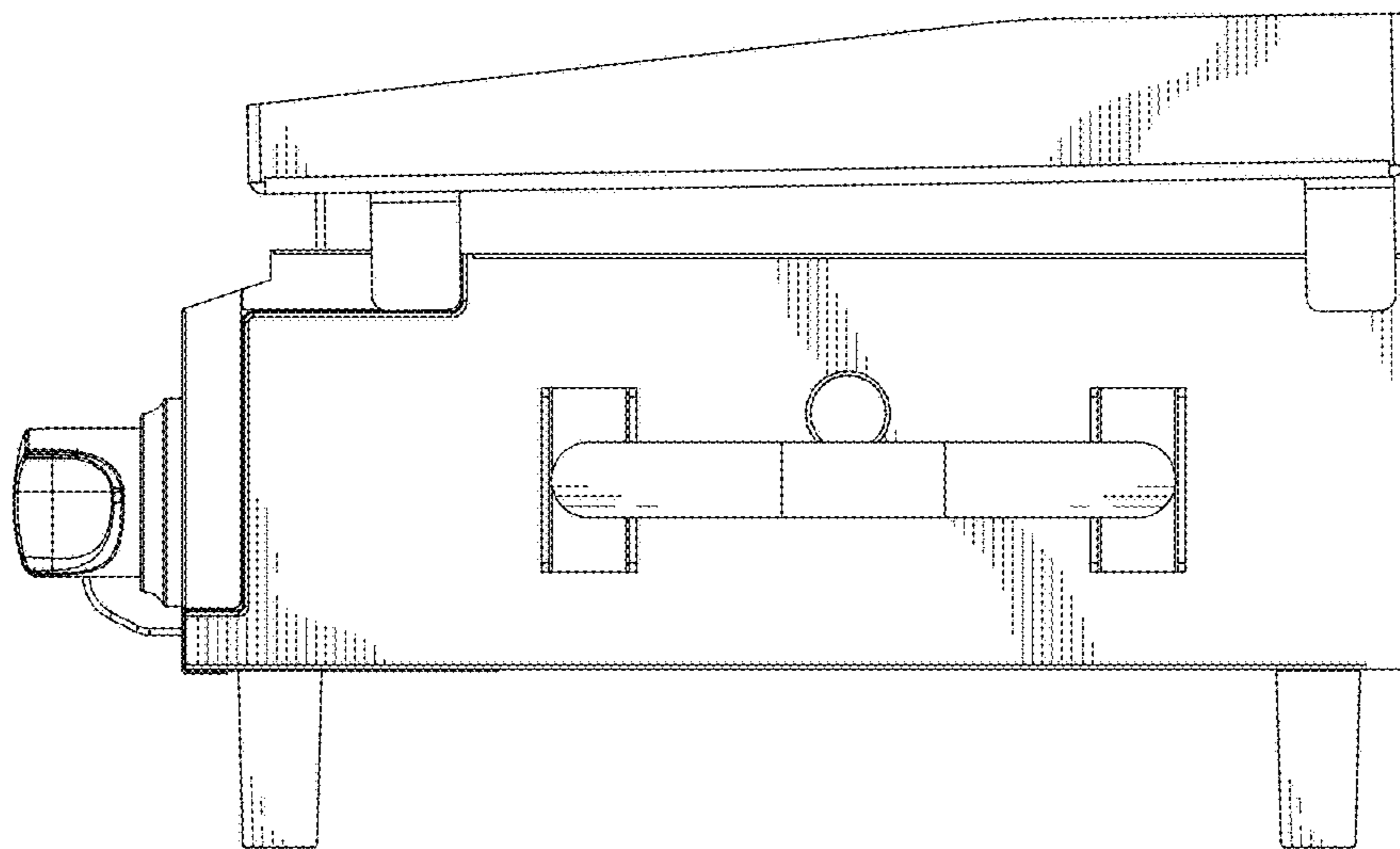


FIG. 5

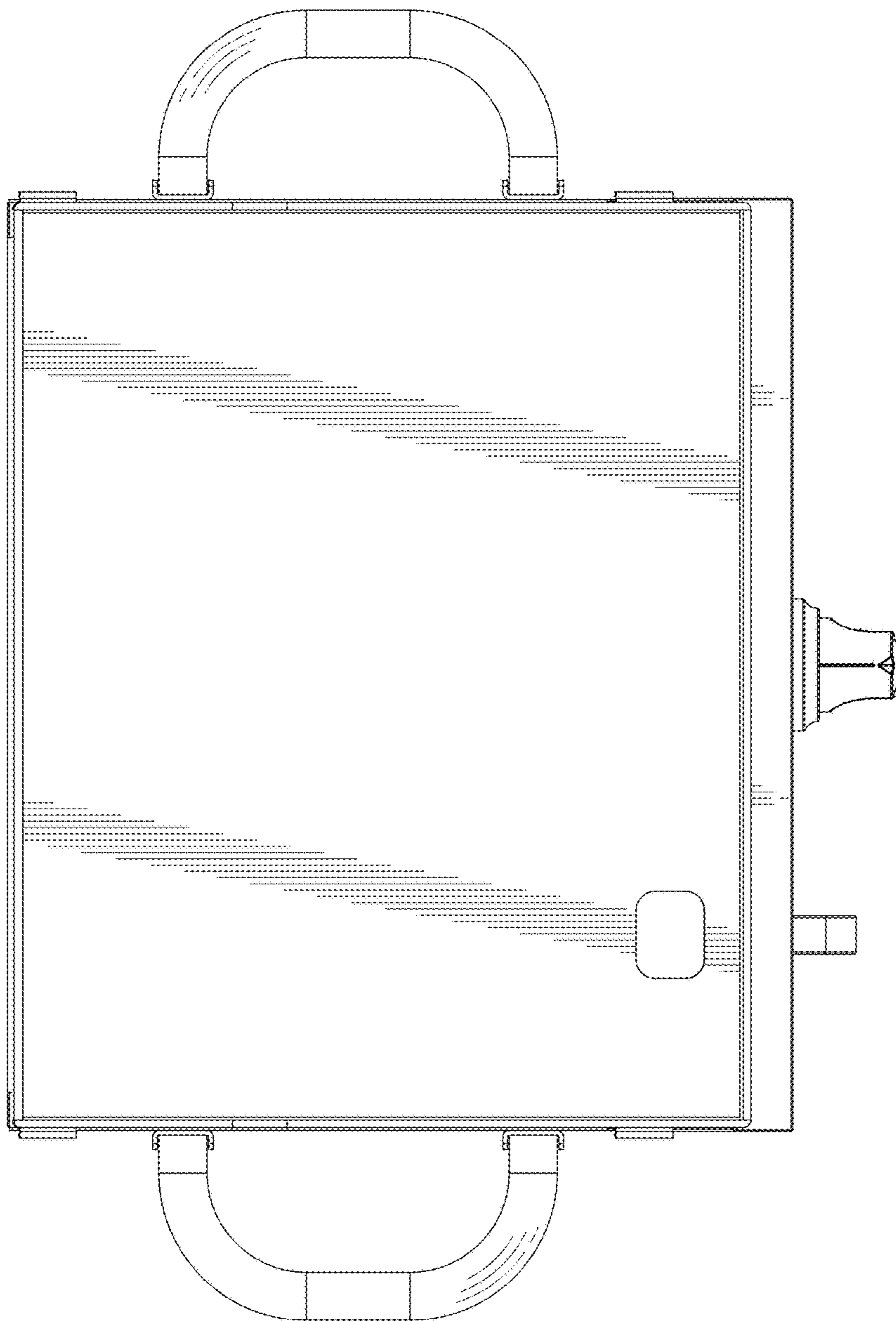


FIG. 6

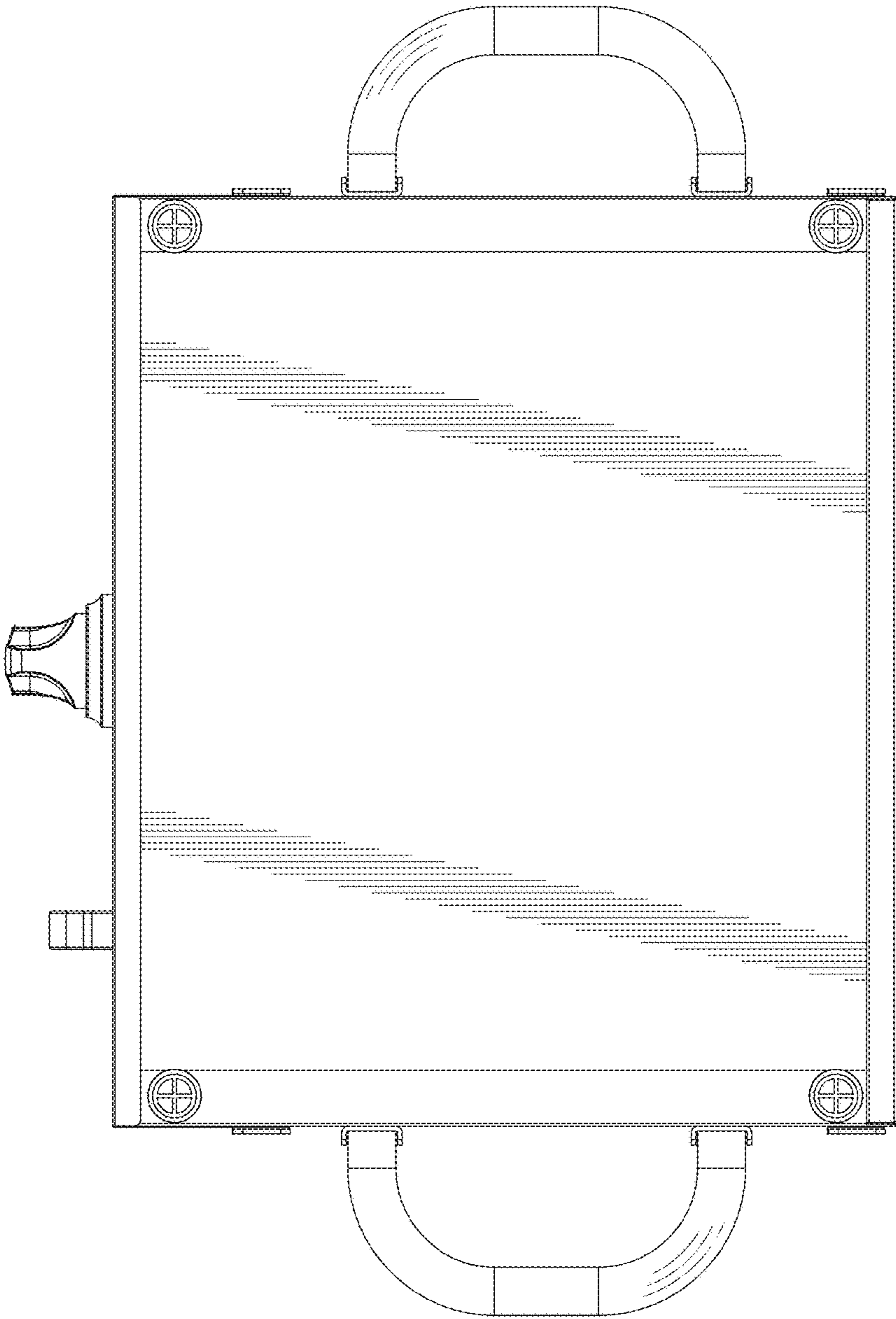


FIG. 7