



US00D848203S

(12) **United States Design Patent**
Vergara Giraldo et al.

(10) **Patent No.:** **US D848,203 S**

(45) **Date of Patent:** **** May 14, 2019**

- (54) **PAN**
- (71) Applicant: **GROUPE SEB COLOMBIA S.A.**,
Antioquia (CO)
- (72) Inventors: **Juan Esteban Vergara Giraldo**, Itagui
(CO); **Chloe Lemaitre Corinne**,
Aix-les-bains (FR)
- (73) Assignee: **GROUPE SEB COLOMBIA S.A.**,
Antioquia (CO)

- D377,438 S * 1/1997 Brunianyn D7/361
- D412,641 S * 8/1999 Schiffer D7/395
- D584,104 S * 1/2009 Munari D7/393
- D615,810 S * 5/2010 Munari D7/395
- D618,961 S * 7/2010 Chafai D7/395
- D628,851 S * 12/2010 Bergne A47J 37/07
D7/354
- 8,616,119 B2 * 12/2013 Penny A47J 37/07
99/324
- D737,094 S * 8/2015 Hundley D7/395
- D802,990 S * 11/2017 Workman D7/361

(**) Term: **15 Years**

(21) Appl. No.: **29/618,927**

(22) Filed: **Sep. 26, 2017**

(30) **Foreign Application Priority Data**

Apr. 26, 2017 (CO) NC2017/0004050

(51) **LOC (11) Cl.** **07-02**

(52) **U.S. Cl.**
USPC **D7/361; D7/354**

(58) **Field of Classification Search**
USPC D7/323, 354-363, 391, 393-396, 409
CPC A47G 19/12; A47J 27/00; A47J 27/002;
A47J 27/08; A47J 27/21; A47J 27/58;
A47J 36/025; A47J 36/06; A47J 36/12;
A47J 37/00; A47J 37/07; A47J 37/10;
A47J 37/101; A47J 37/103; A47J 37/12;
A47J 37/1204; A47J 45/061; A47J
45/071; A47J 45/08; H05B 6/12
See application file for complete search history.

(56) **References Cited**

U.S. PATENT DOCUMENTS

- D204,996 S 6/1966 Lepoix
- D275,440 S * 9/1984 Matsuhisa 99/422

FOREIGN PATENT DOCUMENTS

CO 16160700 6/2016

* cited by examiner

Primary Examiner — Ricky Pham

(74) *Attorney, Agent, or Firm* — Kilyk & Bowersox,
P.L.L.C.

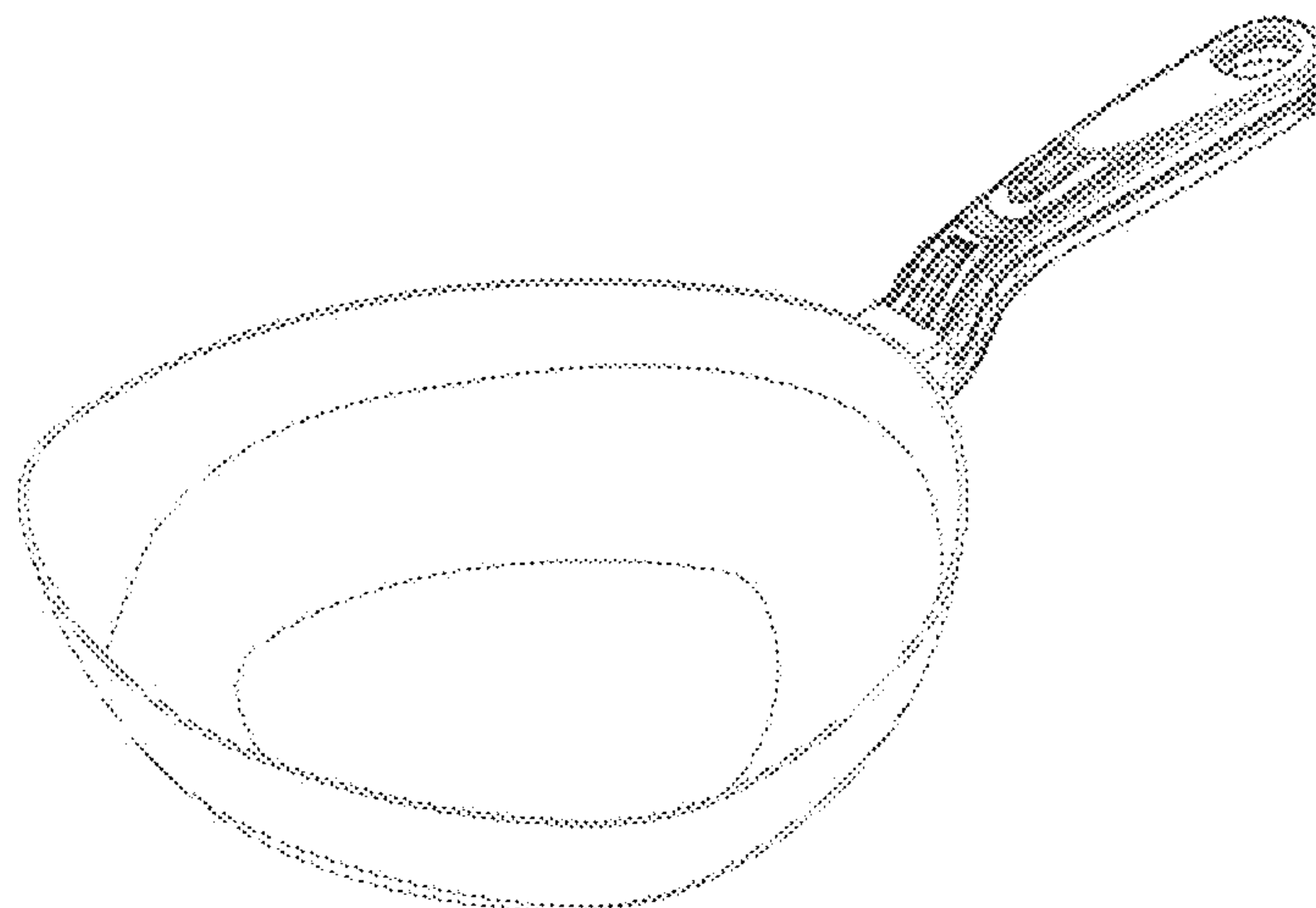
(57) **CLAIM**

The ornamental design for a pan, as shown and described.

DESCRIPTION

FIG. 1 is a perspective view as viewed from front and top direction thereof of a pan showing our new design;
FIG. 2 is a front view thereof;
FIG. 3 is a rear view thereof;
FIG. 4 is a top view thereof;
FIG. 5 is a bottom view thereof;
FIG. 6 is a right side view thereof; and,
FIG. 7 is a left side view thereof.

1 Claim, 7 Drawing Sheets



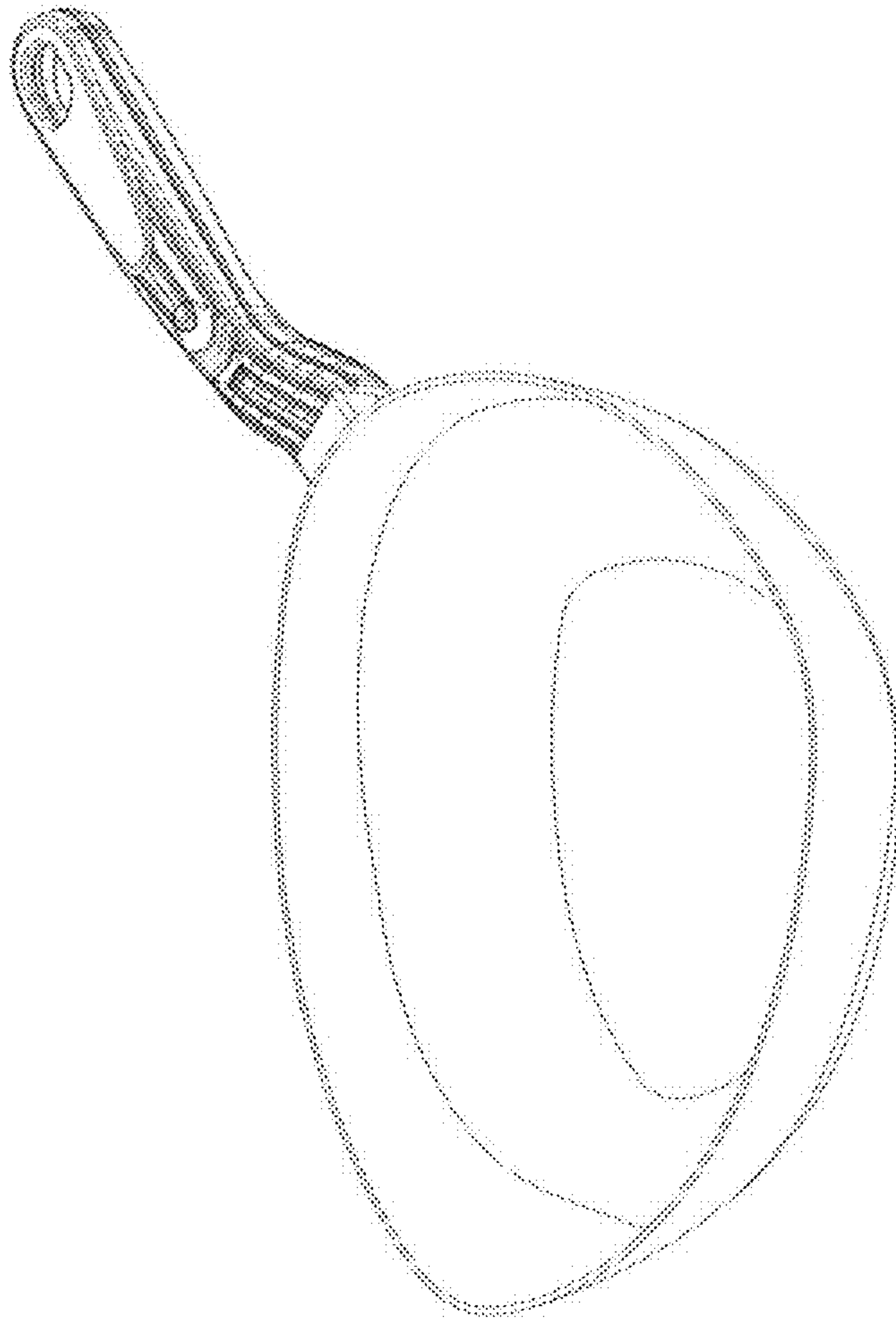


FIG. 1

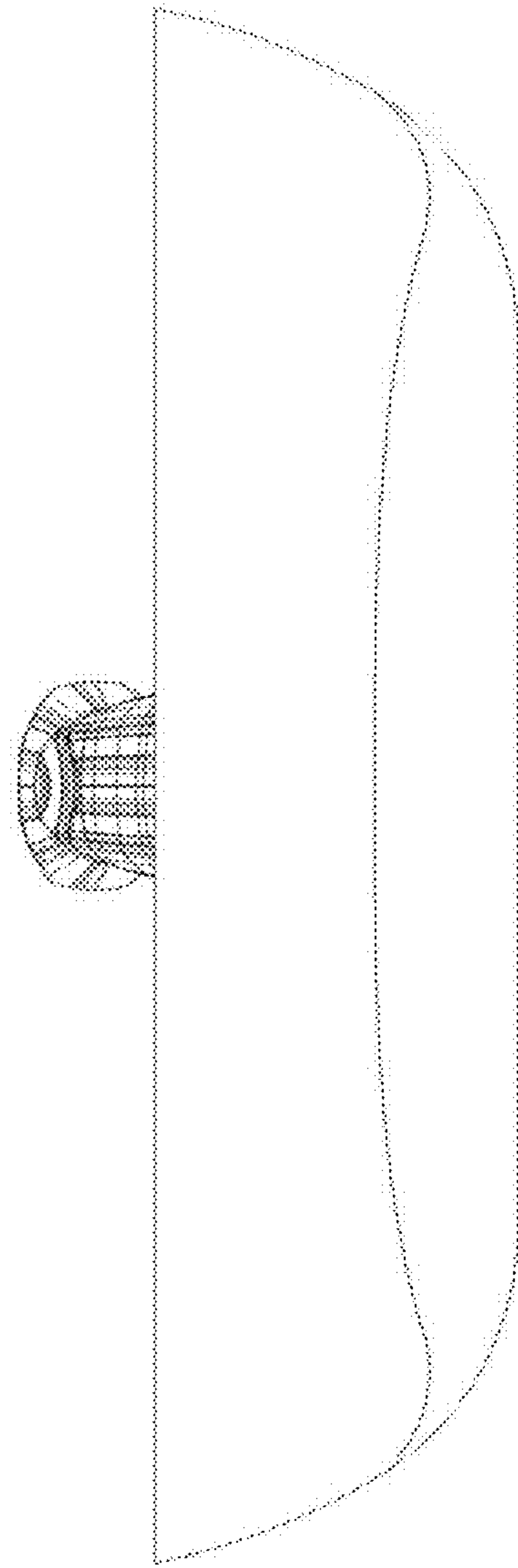


FIG. 2

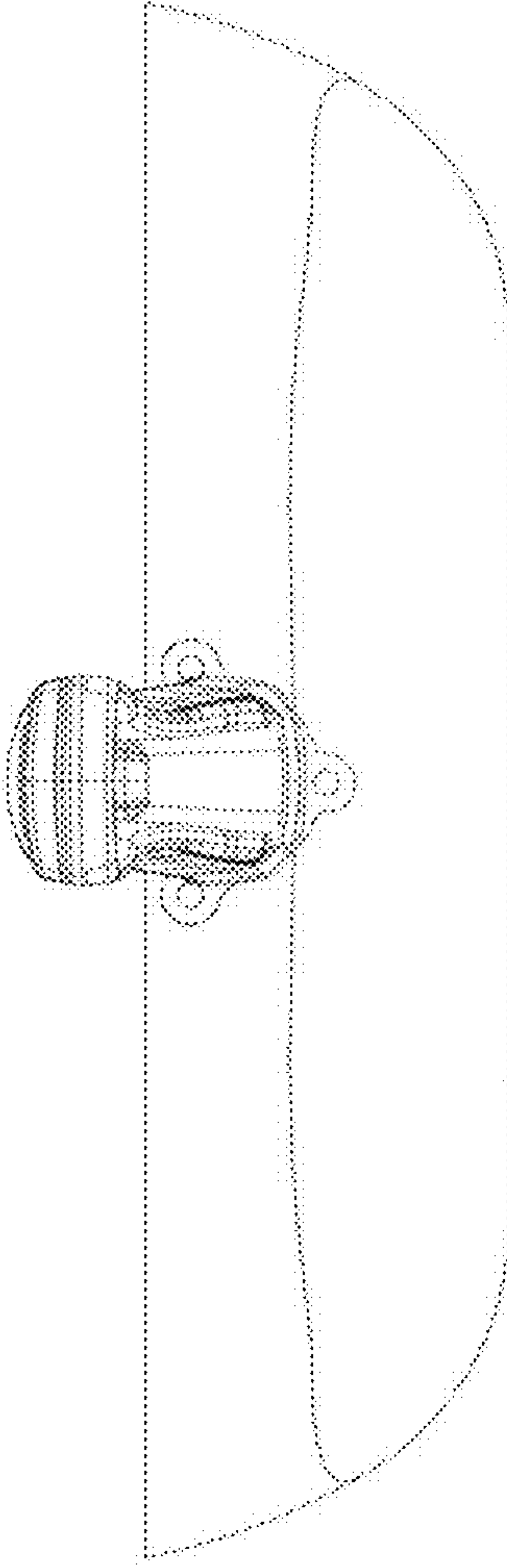


FIG. 3

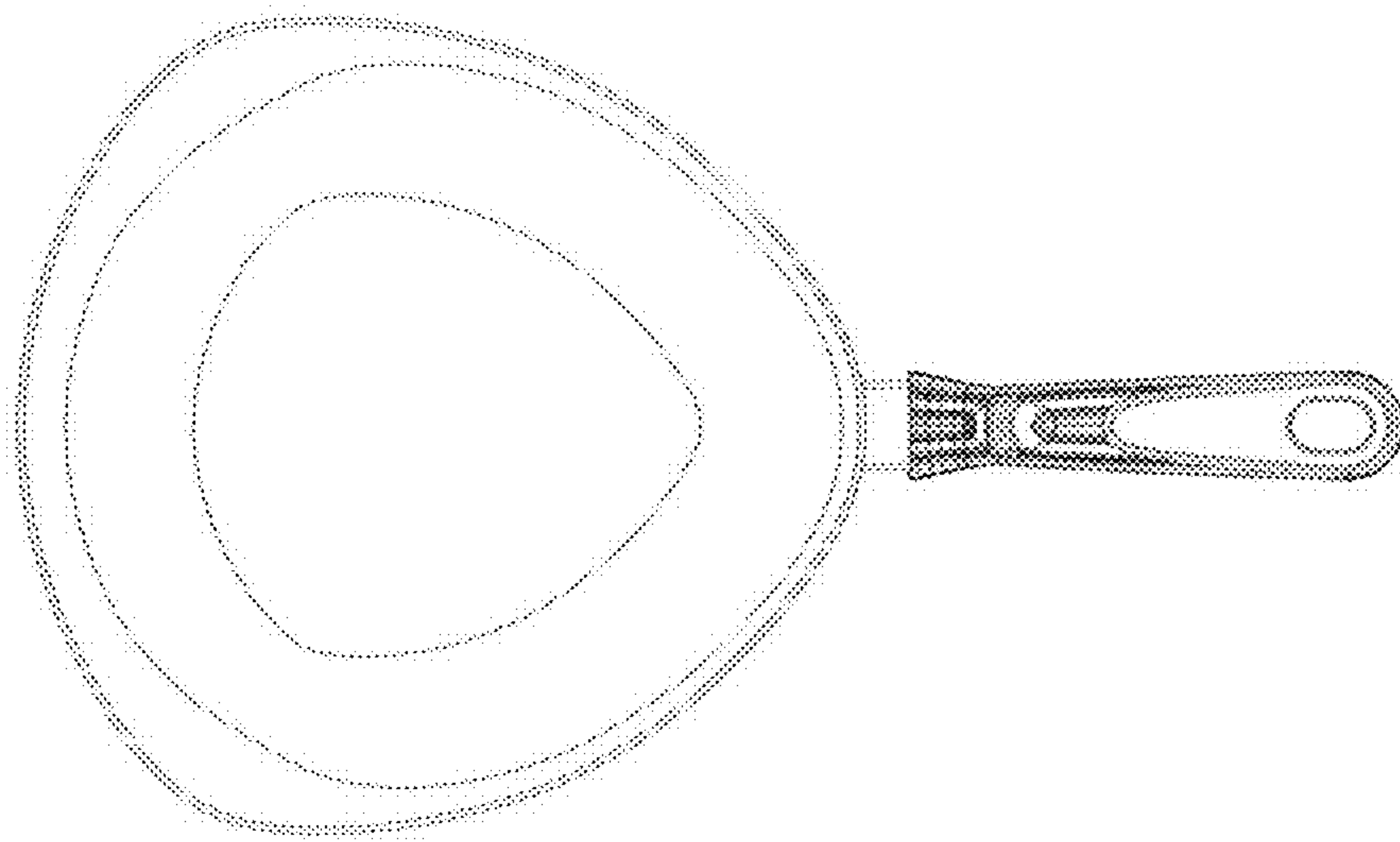


FIG. 4

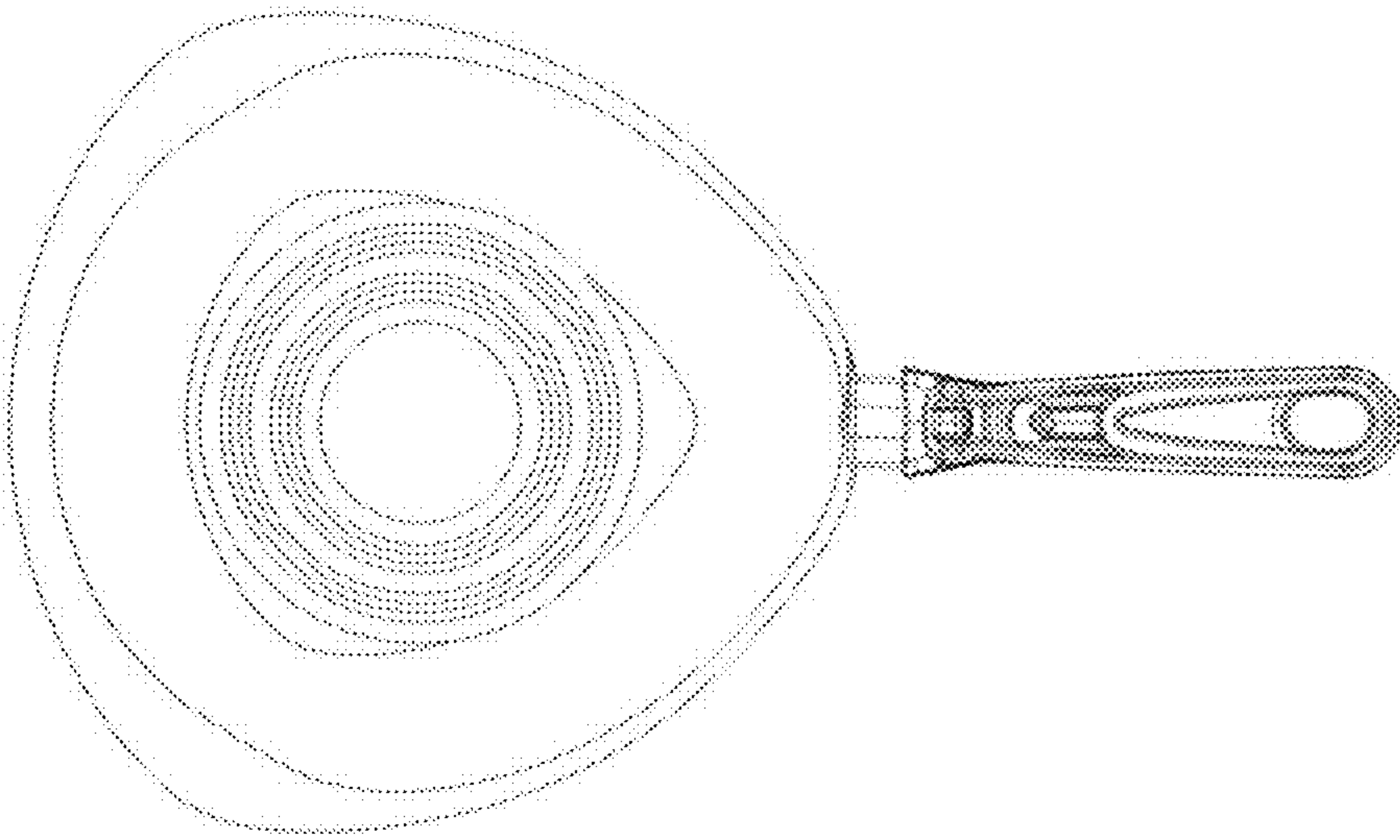


FIG. 5

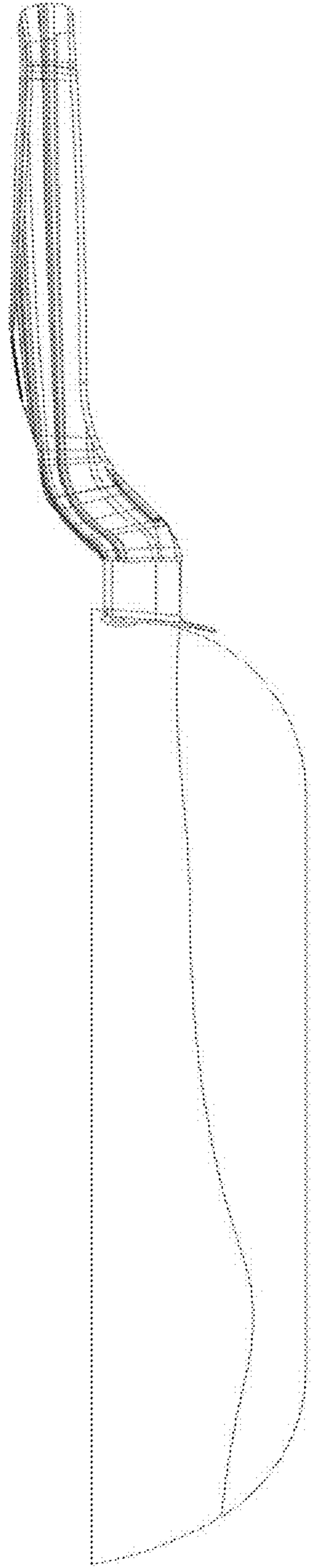


FIG. 6

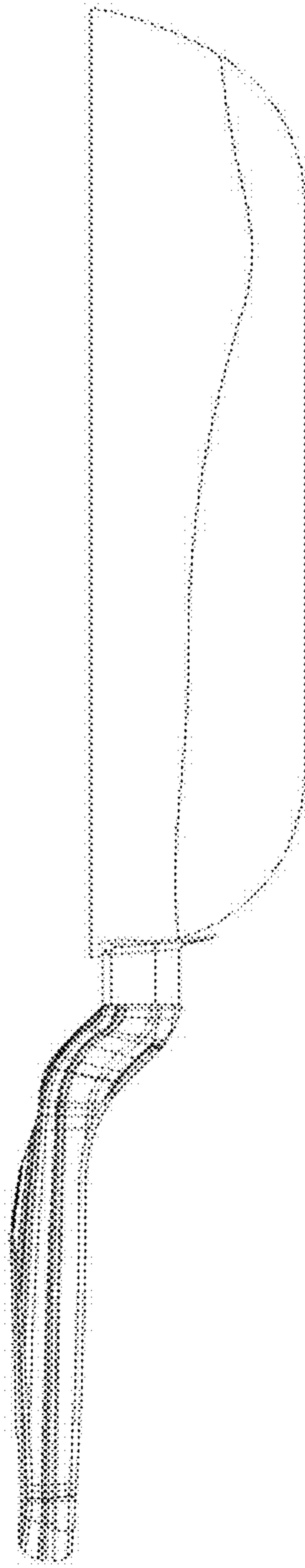


FIG. 7